



# Dual Common-mode Rejection Differential Line Receiver

## TDA8579T

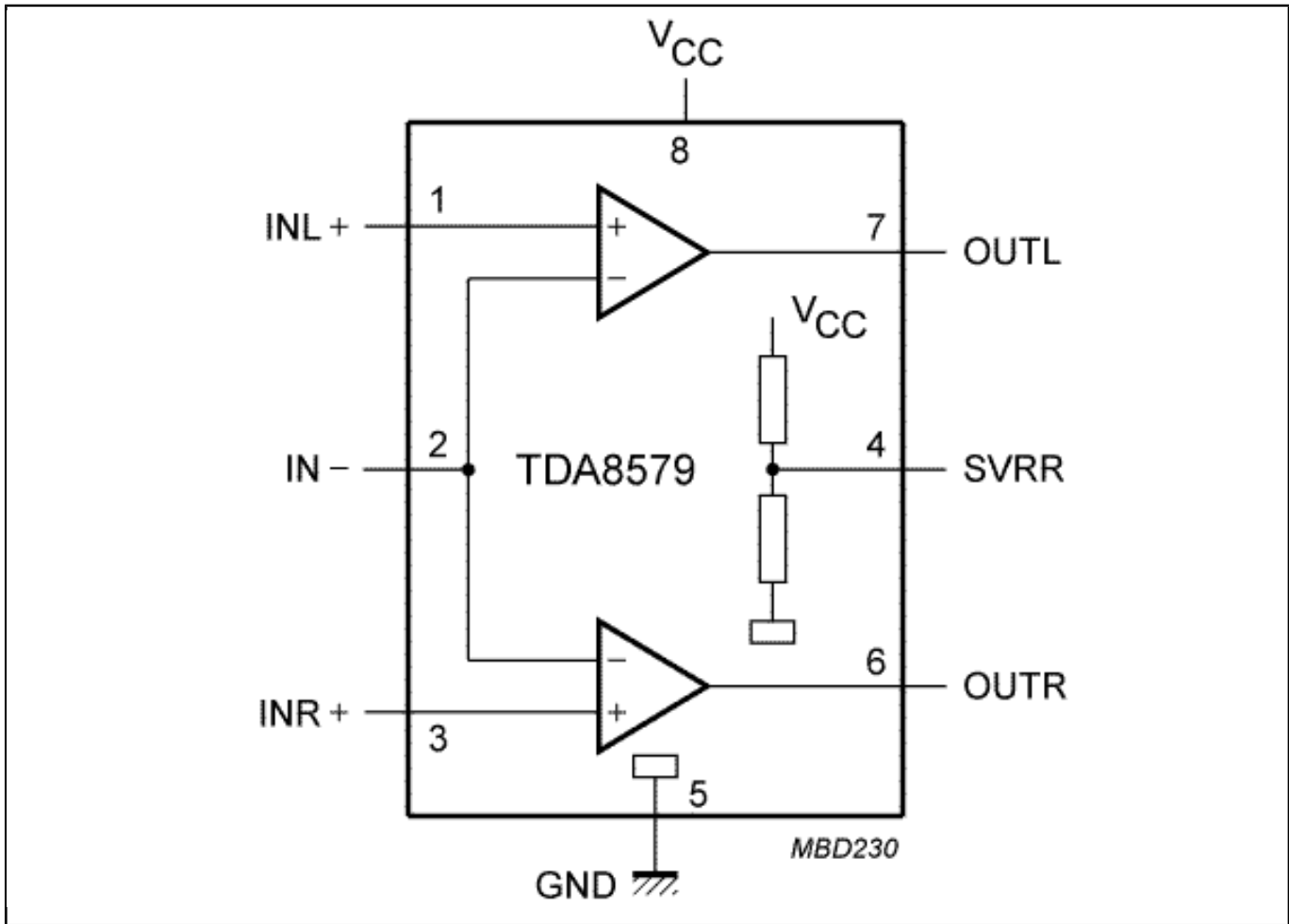
### Archived

This page contains information on a product that is no longer manufactured (discontinued). Specifications and information herein are available for historical reference only.

Last Updated: Jun 29, 2023

The TDA8579T is a two channel differential amplifier with 0 dB gain and low distortion. The device has been primarily developed for car radio applications where long connections between signal sources and amplifiers (or boosters) are necessary and where ground noise has to be eliminated. The device is intended to be used to receive line inputs in audio applications that require a high level of common-mode rejection. The device is contained in an 8-pin Small Outline (SO) package.

## TDA8579T Block Diagram



View additional information for [Dual Common-mode Rejection Differential Line Receiver](#).

**Note:** The information on this document is subject to change without notice.

**www.nxp.com**

NXP and the NXP logo are trademarks of NXP B.V. All other product or service names are the property of their respective owners. The related technology may be protected by any or all of patents, copyrights, designs and trade secrets. All rights reserved. © 2024 NXP B.V.