



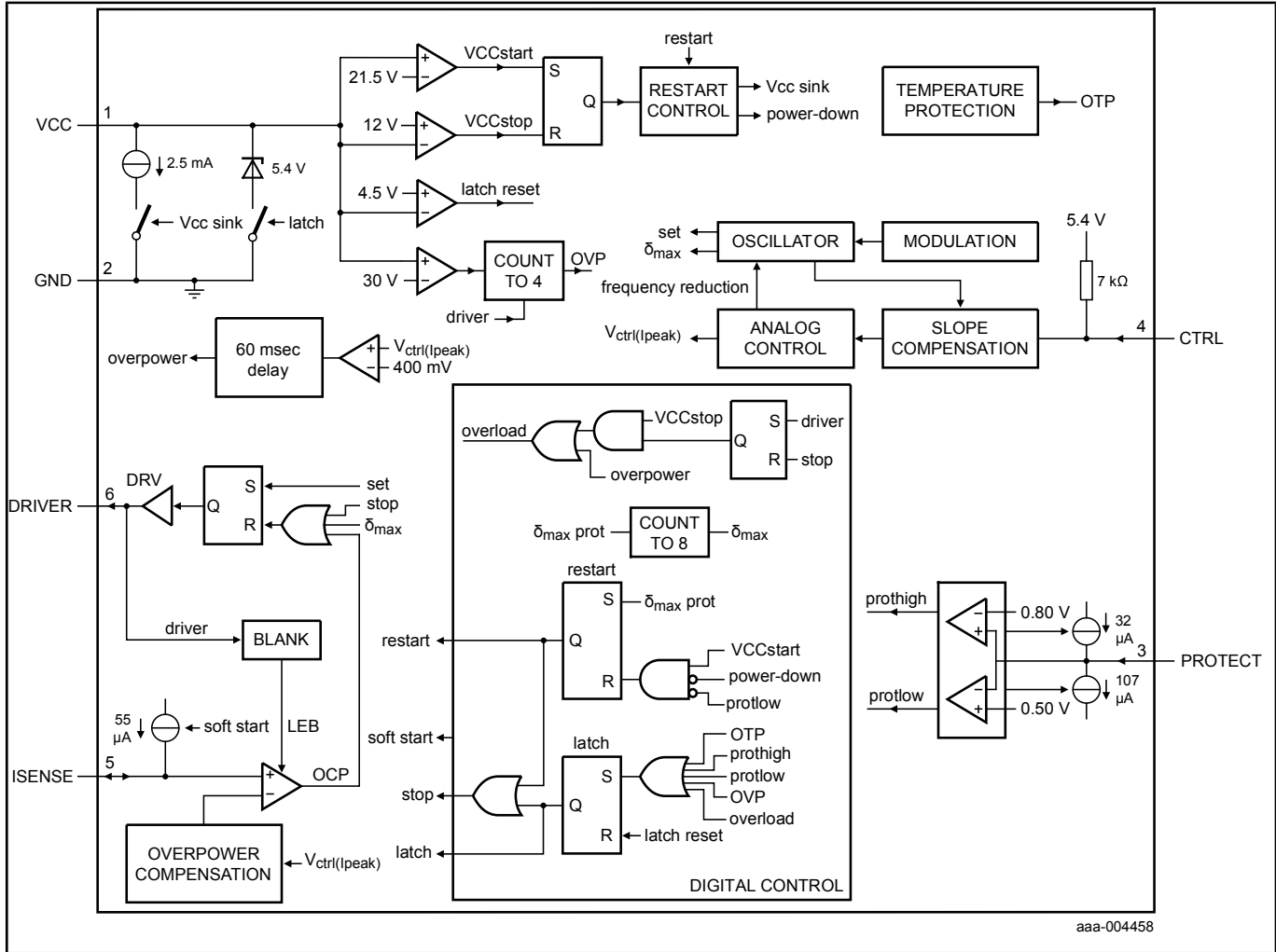
Low Voltage Start-Up Flyback Controllers Suitable for Fixed Frequency/CCM

TEA173X

Last Updated: Jun 15, 2022

This compact yet highly featured SMPS controller delivers good efficiency over the total load range and includes Over-Power compensation.

TEA1733LT Block Diagram Block Diagram



View additional information for [Low Voltage Start-Up Flyback Controllers Suitable for Fixed Frequency/CCM](#).

Note: The information on this document is subject to change without notice.

www.nxp.com

NXP and the NXP logo are trademarks of NXP B.V. All other product or service names are the property of their respective owners. The related technology may be protected by any or all of patents, copyrights, designs and trade secrets. All rights reserved. © 2022 NXP B.V.