



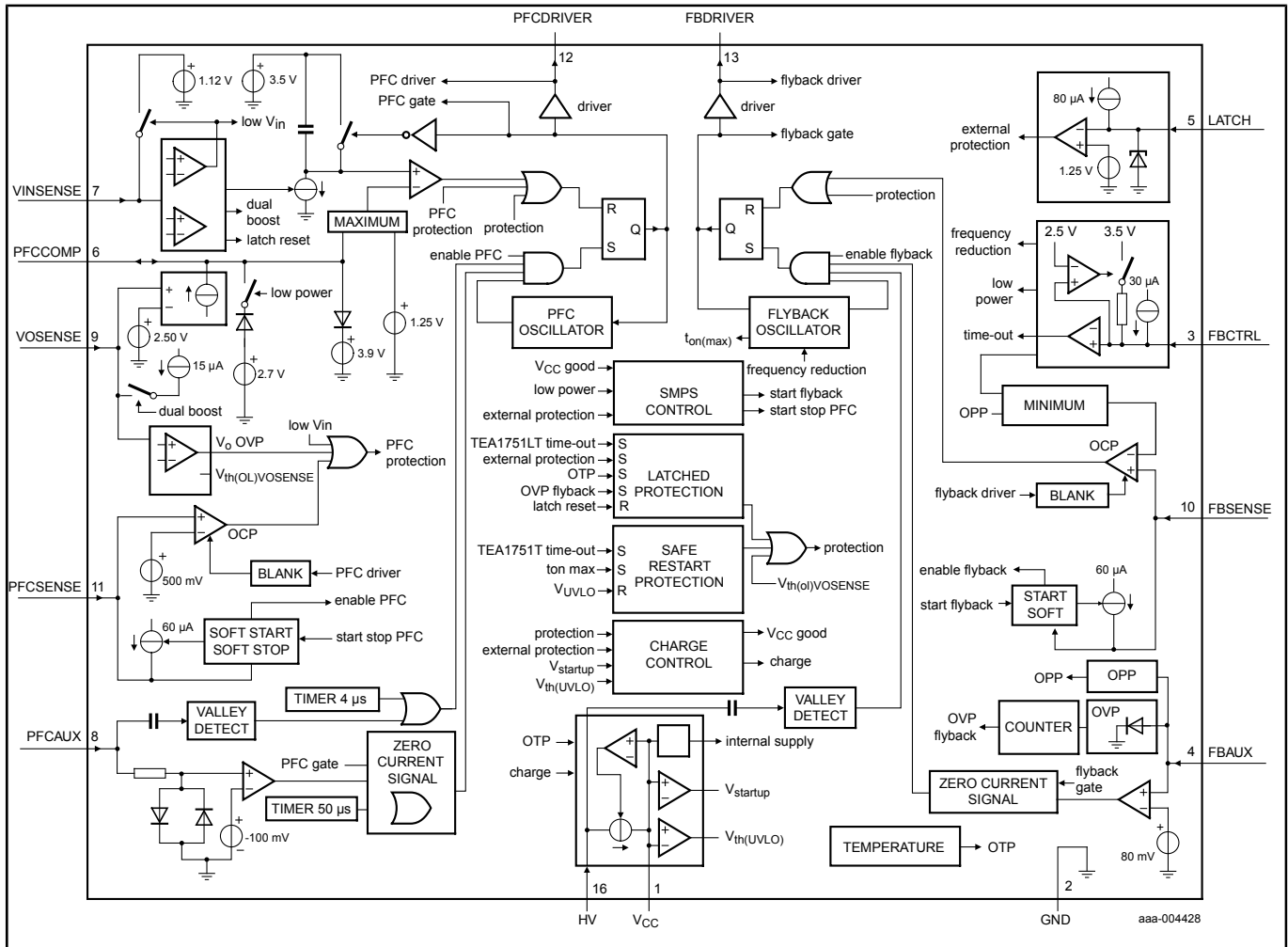
HV Start-up DCM/QR Flyback Controller with Integrated DCM/QR PFC Controllers

TEA175X

Last Updated: Apr 13, 2023

TEA175x combines a controller for power factor correction (PFC) and a flyback controller. Its high level of integration allows the design of a cost-effective power supply with a very low number of external components. The special built-in green functions provide high efficiency at all power levels.

TEA1751LT Block Diagram Block Diagram



View additional information for [HV Start-up DCM/QR Flyback Controller with Integrated DCM/QR PFC Controllers](#).

Note: The information on this document is subject to change without notice.

www.nxp.com

NXP and the NXP logo are trademarks of NXP B.V. All other product or service names are the property of their respective owners. The related technology may be protected by any or all of patents, copyrights, designs and trade secrets. All rights reserved. © 2024 NXP B.V.