



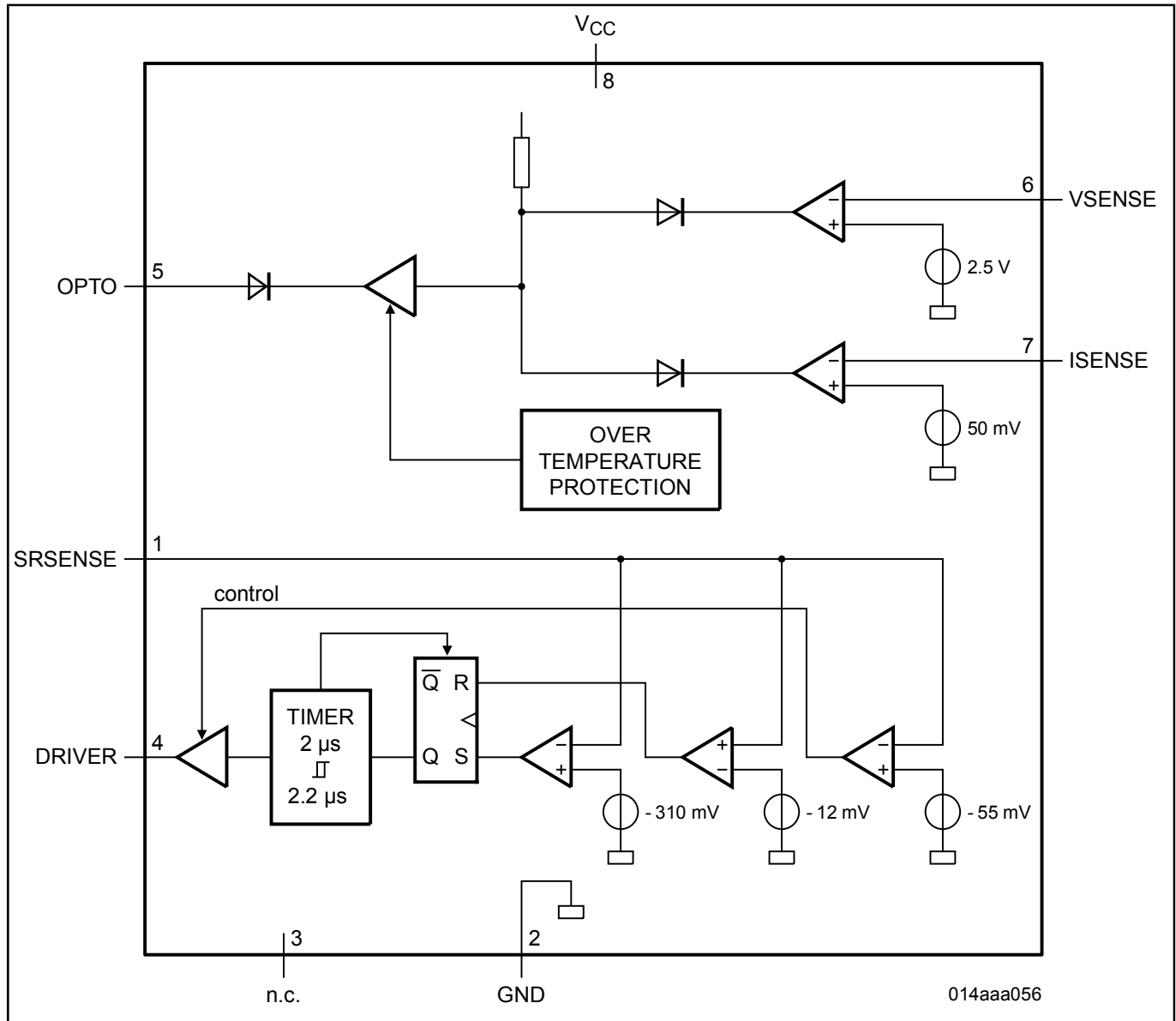
Synchronous Rectification Controller with Integrated Feedback and Protection

TEA176X

Last Updated: Apr 9, 2022

Designed for switched-mode power supplies (SMPS), these extremely efficient and highly integrated GreenChip ICs control synchronous rectification, so you can design simple, cost-effective power supplies with very few external components.

TEA1761T Block Diagram Block Diagram



View additional information for [Synchronous Rectification Controller with Integrated Feedback and Protection](#).

Note: The information on this document is subject to change without notice.

www.nxp.com

NXP and the NXP logo are trademarks of NXP B.V. All other product or service names are the property of their respective owners. The related technology may be protected by any or all of patents, copyrights, designs and trade secrets. All rights reserved. © 2022 NXP B.V.