



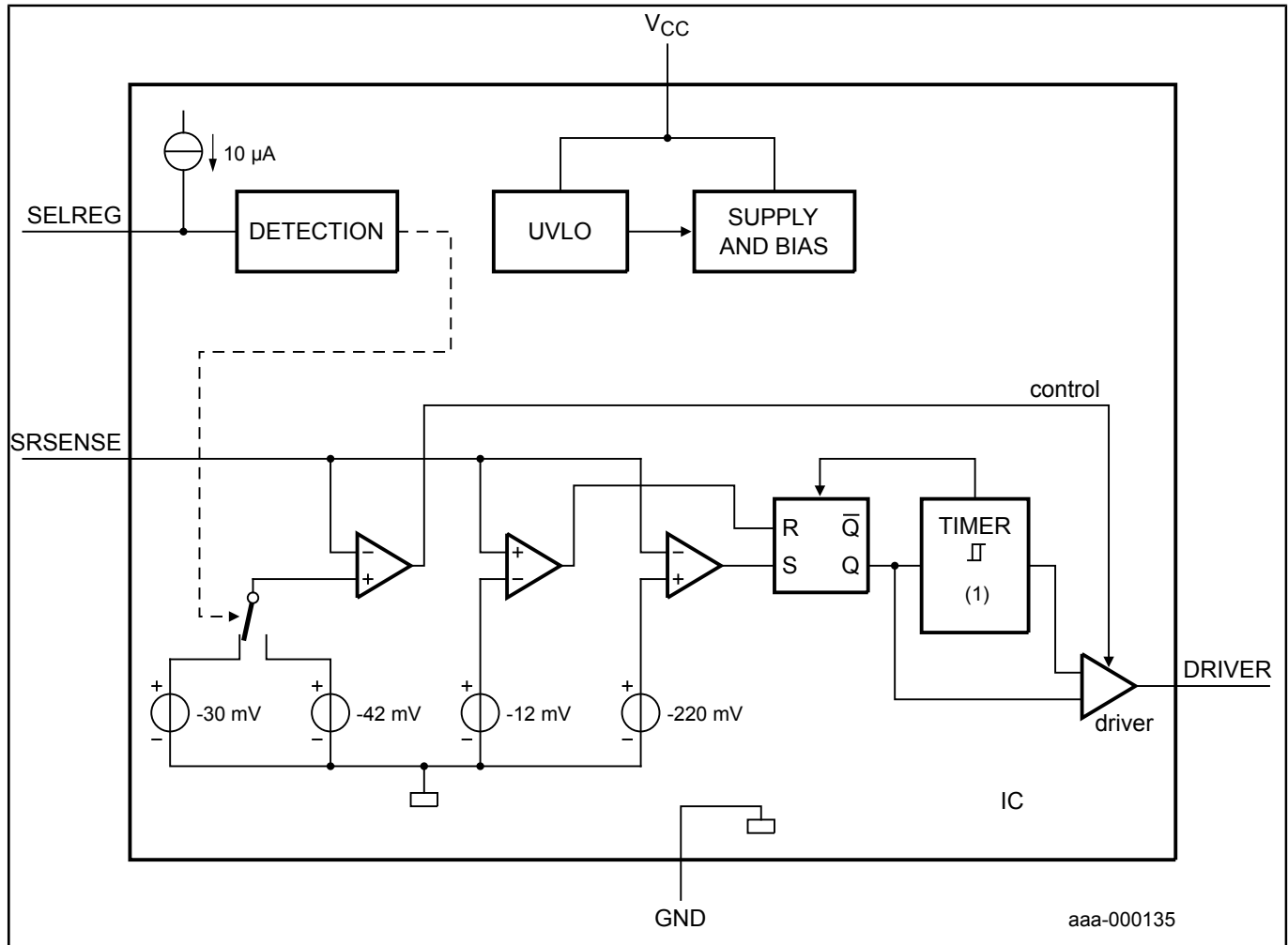
Synchronous Rectification Controller Suitable for Both High-Side and Low-Side Control

TEA1792AT

Last Updated: Dec 24, 2025

The TEA1792AT is a member of the new generation of Synchronous Rectifier (SR) controller ICs for switched mode power supplies. Its high level of integration allows the design of a cost-effective power supply with a very low number of external components. The TEA1792AT is a controller IC dedicated to synchronous rectification on the secondary side of discontinuous conduction mode and quasi-resonant flyback converters. The TEA1792AT is fabricated in a Silicon-On-Insulator (SOI) process.

TEA1792AT Block Diagram Block Diagram



View additional information for [Synchronous Rectification Controller Suitable for Both High-Side and Low-Side Control](#).

Note: The information on this document is subject to change without notice.

www.nxp.com

NXP and the NXP logo are trademarks of NXP B.V. All other product or service names are the property of their respective owners. The related technology may be protected by any or all of patents, copyrights, designs and trade secrets. All rights reserved. © 2026 NXP B.V.