



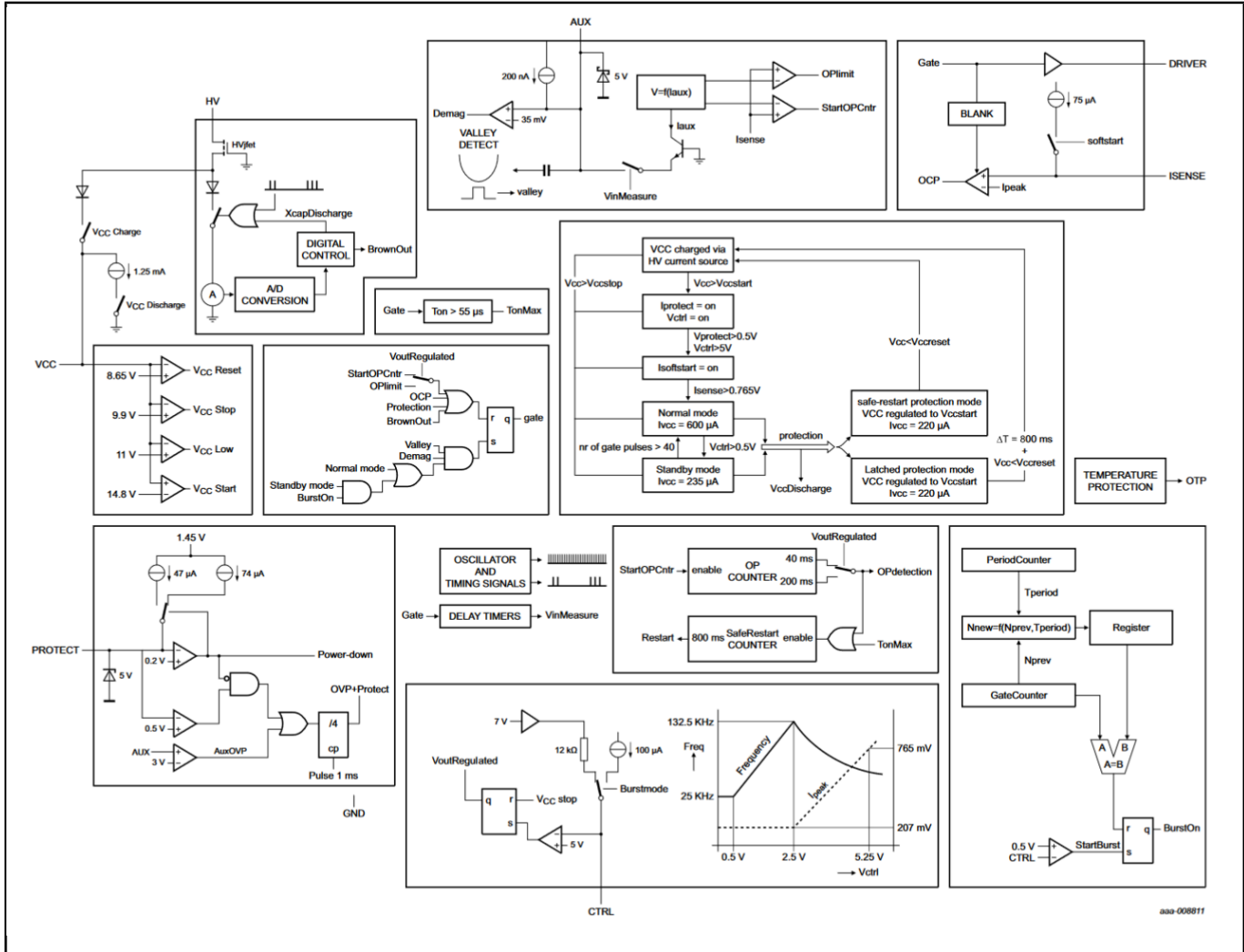
GreenChip SMPS Control IC

TEA18362LT

Last Updated: Apr 9, 2022

The TEA18362LT is a controller IC for low-cost Switched Mode Power Supplies (SMPS). It is intended for DCM / QR flyback topologies. The built-in green functions provide high efficiency at all power levels.

TEA18362LT Block diagram Block Diagram



View additional information for [GreenChip SMPS Control IC](#).

Note: The information on this document is subject to change without notice.

www.nxp.com

NXP and the NXP logo are trademarks of NXP B.V. All other product or service names are the property of their respective owners. The related technology may be protected by any or all of patents, copyrights, designs and trade secrets. All rights reserved. © 2022 NXP B.V.