



# V2X RF Transceiver

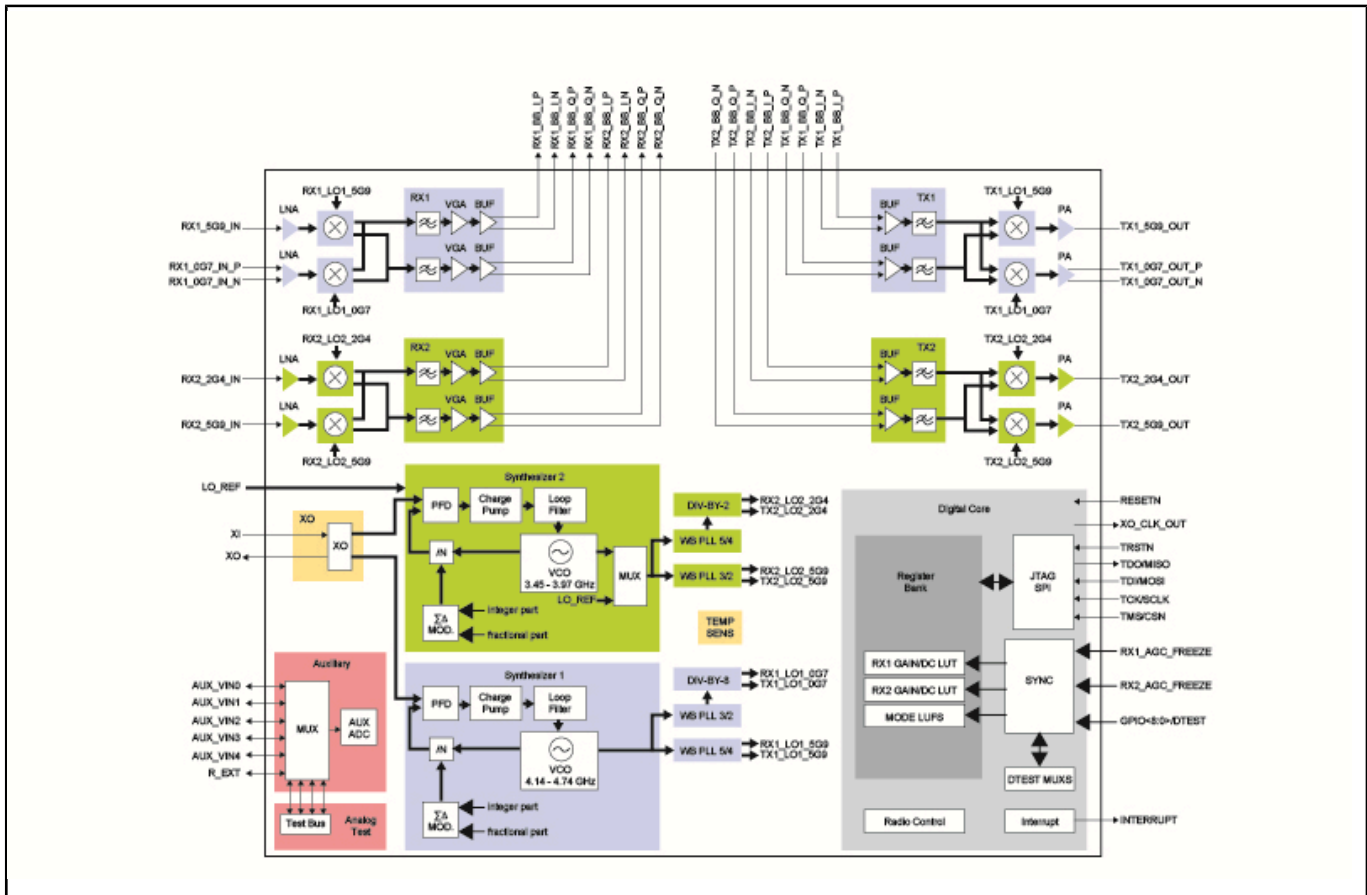
## TEF5100

Last Updated: Feb 10, 2025

The TEF5100 transceiver architecture is based on direct conversion for both the transmitter and receiver, which eliminates expensive external filters. Internal, digitally controlled gain stages at RF and BB give the receiver both low noise figure and a large dynamic range.

The transmitter has several gain steps providing a wide output power range. The cut-off frequencies of the baseband filters are calibrated with an internal tuning loop and the filters support modulation bandwidths up to 20 MHz. The transceiver is controlled via a four-wire SPI interface. A high-speed parallel interface is provided to support fast gain control, RX/TX switching and frequency hopping. An internal auxiliary ADC is included for calibration purposes and to serve various external functions like power and temperature measurements. The TEF5100EL contains autonomous internal AGC functionality for the fast acquisition of packets.

# TEF5100 Block Diagram Block Diagram



View additional information for [V2X RF Transceiver](#).

Note: The information on this document is subject to change without notice.

[www.nxp.com](http://www.nxp.com)

NXP and the NXP logo are trademarks of NXP B.V. All other product or service names are the property of their respective owners. The related technology may be protected by any or all of patents, copyrights, designs and trade secrets. All rights reserved. © 2025 NXP B.V.