



TEF810x Fully-Integrated 77 GHz Radar Transceiver

TEF810X

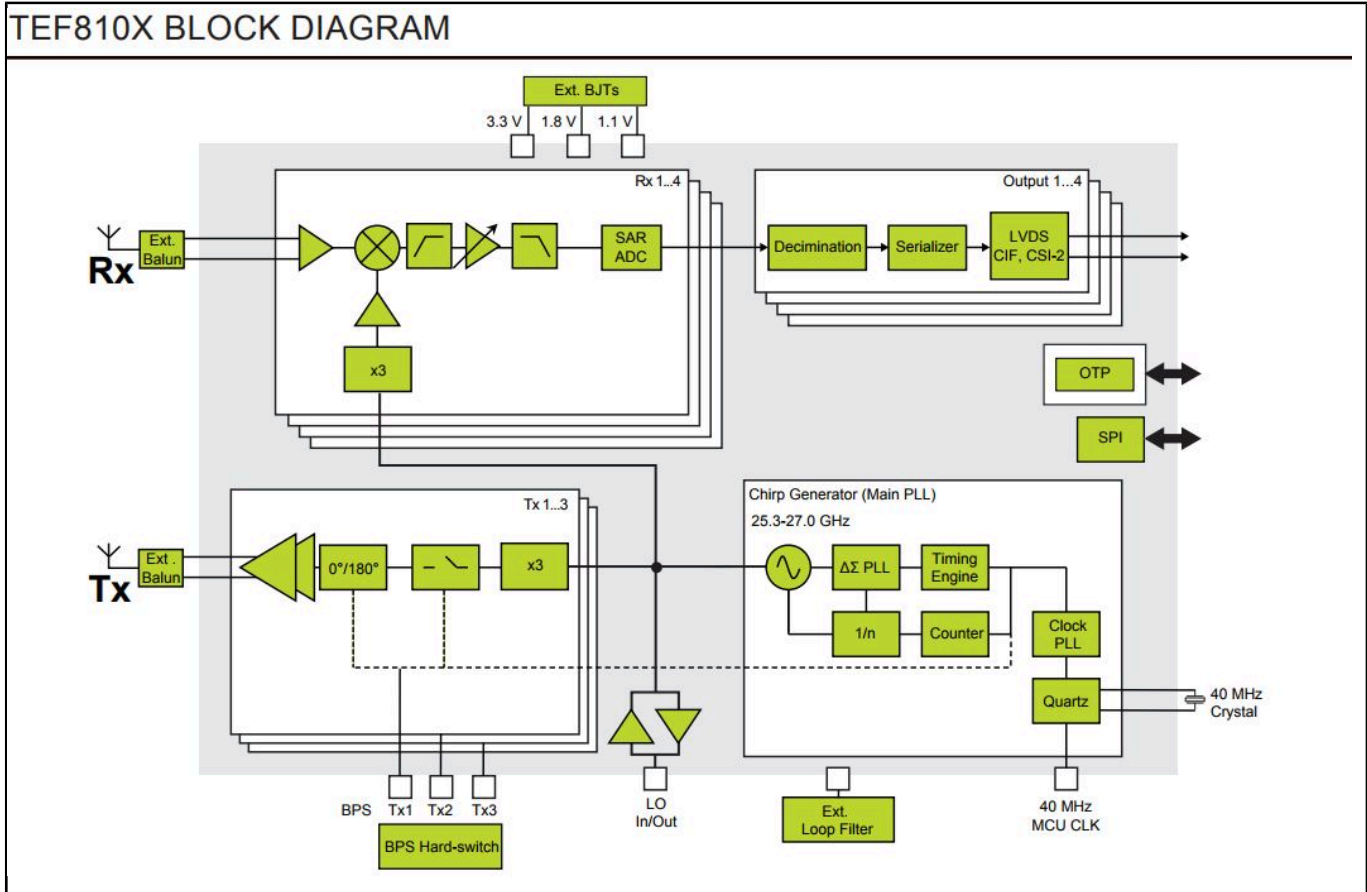
Last Updated: Aug 9, 2022

The TEF810X is a fully integrated single-chip RFCMOS 77 GHz automotive FMCW radar transceiver. This device is intended for usage in short-, medium- and long-range radar applications covering the full automotive radar frequency band from 76 GHz to 81 GHz. TEF810X radar transceiver is a low power radar transceiver which integrates 3 transmitters, 4 receivers, Analog-to-digital converters and low phase noise Voltage Controlled Oscillator (VCO).

This automotive radar device enables several key driver assistance and safety applications as listed below:

- Autonomous Emergency Braking (AEB)
- Adaptive Cruise Control (ACC)
- Blind-spot Detection/monitoring (BSD/BSM)
- Rear Cross Traffic Alert (RCTA)
- Front Cross Traffic Alert (FCTA)
- Rear Collision Avoidance (RCA)
- Parking Assist (PA)
- Rear Occupant Detection/Alert (ROD/ROA)
- Cocoon Radar
- Imaging Radar

TEF810X Block Diagram Block Diagram



View additional information for [TEF810x Fully-Integrated 77 GHz Radar Transceiver](#).

Note: The information on this document is subject to change without notice.

www.nxp.com

NXP and the NXP logo are trademarks of NXP B.V. All other product or service names are the property of their respective owners. The related technology may be protected by any or all of patents, copyrights, designs and trade secrets. All rights reserved. © 2022 NXP B.V.