



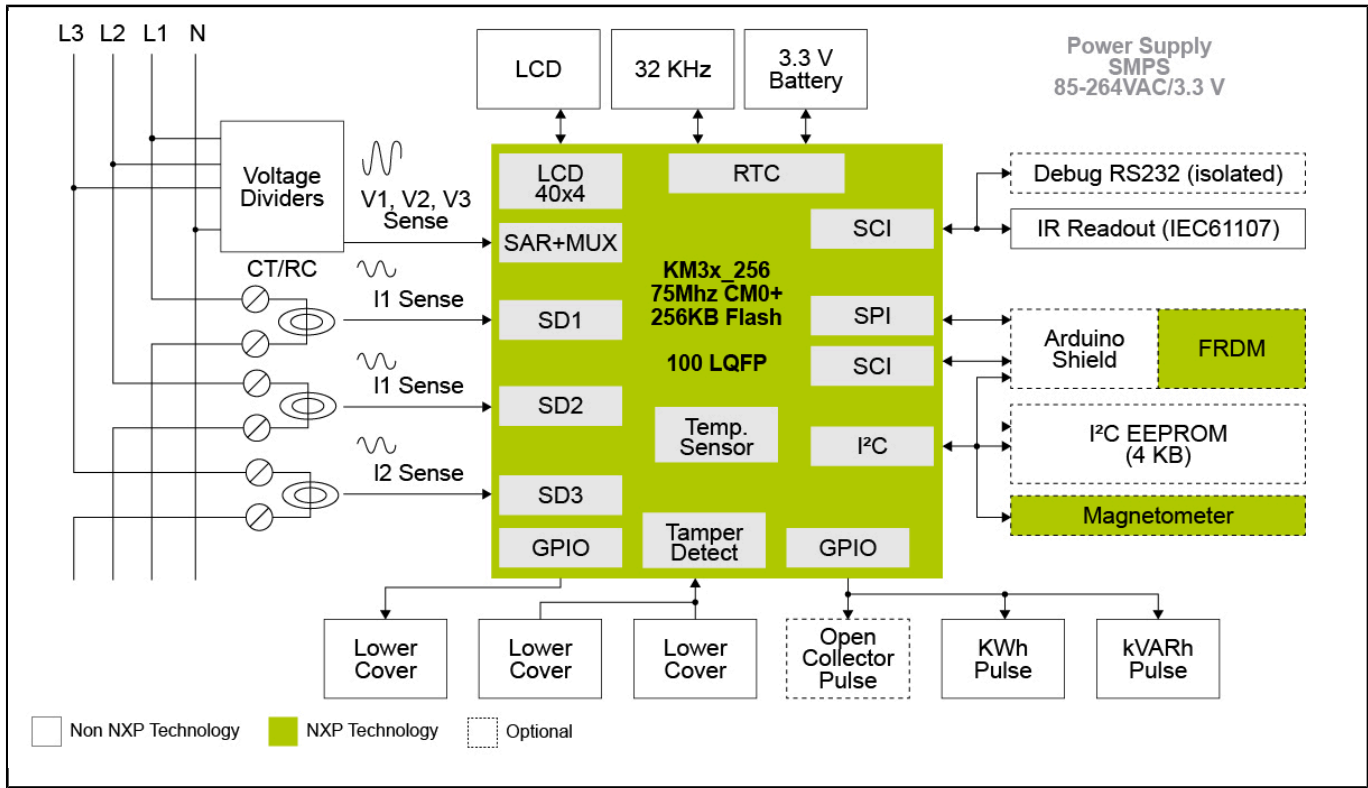
Three-Phase Power Meter Reference Design

THREE-PHASE-POWER-METER

Last Updated: Nov 15, 2022

The three-phase power meter reference design is used for measurement and registration of active and reactive energy in three-phase networks for direct connection. It is precertified according to European EN50470- 1, EN50470-3, class B and C, as well as to IEC 62053-21 and IEC 62052-11 international standards for electronic meters of active energy classes 2 and 1.

Three Phase Meter Block Diagram



View additional information for [Three-Phase Power Meter Reference Design](#).

Note: The information on this document is subject to change without notice.

www.nxp.com

NXP and the NXP logo are trademarks of NXP B.V. All other product or service names are the property of their respective owners. The related technology may be protected by any or all of patents, copyrights, designs and trade secrets. All rights reserved. © 2023 NXP B.V.