



Fault-Tolerant CAN Transceiver

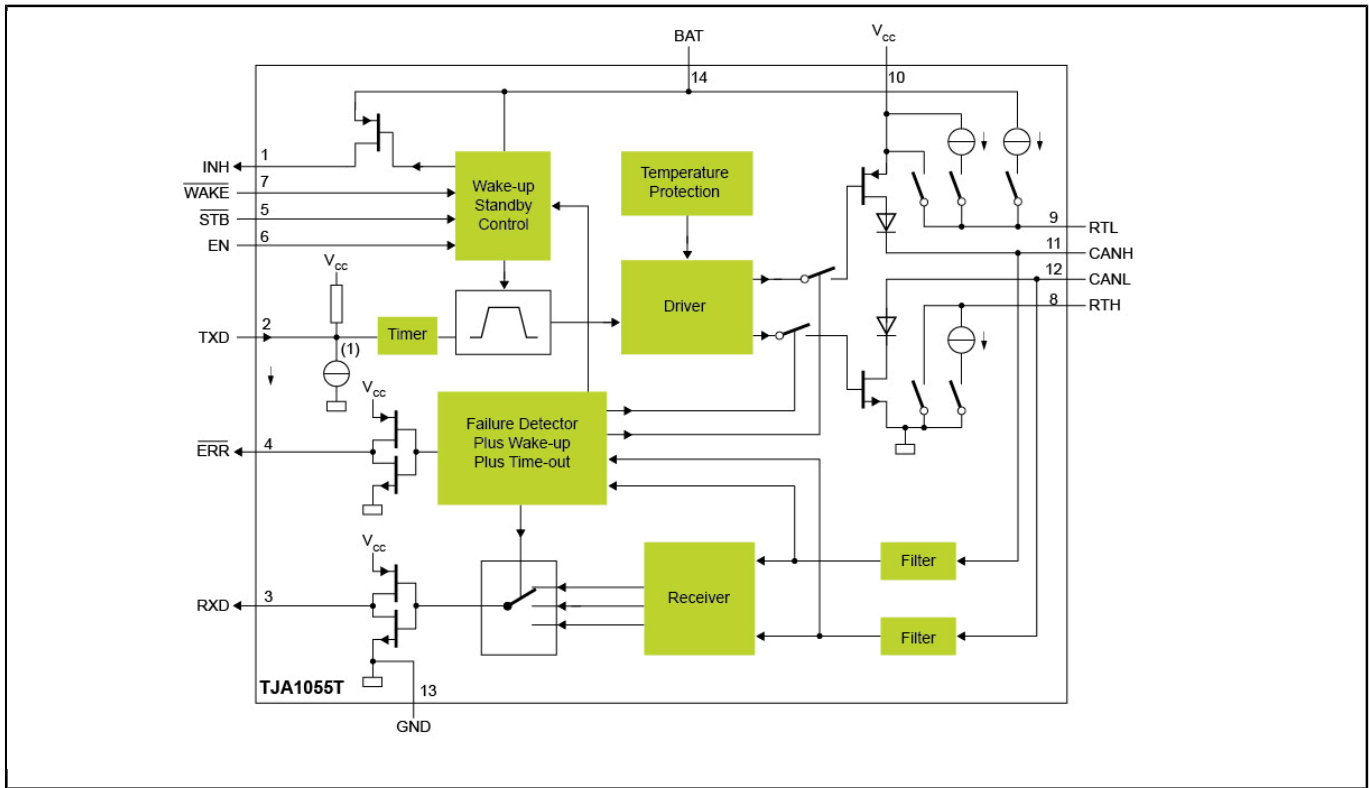
TJA1055T

Last Updated: Aug 9, 2022

The TJA1055 is the interface between the protocol controller and the physical bus wires in a Controller Area Network (CAN). It is primarily intended for low-speed applications of up to 125 kBd in passenger cars. The device provides differential receive and transmit capability but will switch to single-wire transmitter and/or receiver in error conditions. Key highlights of the TJA1055.

- Improved ElectroStatic Discharge (ESD) performance
- Lower current consumption in sleep mode
- Wake-up signaling on RXD and ERR without VCC active
- 3 V interfacing with microcontroller possible with TJA1055T/3

TJA1055 Block Diagram Block Diagram



View additional information for [Fault-Tolerant CAN Transceiver](#).

Note: The information on this document is subject to change without notice.

www.nxp.com

NXP and the NXP logo are trademarks of NXP B.V. All other product or service names are the property of their respective owners. The related technology may be protected by any or all of patents, copyrights, designs and trade secrets. All rights reserved. © 2022 NXP B.V.