



# SABRE Development Boards for TJA11xx PHYs

## TJA11xx-SDBx

Last Updated: Jul 17, 2024

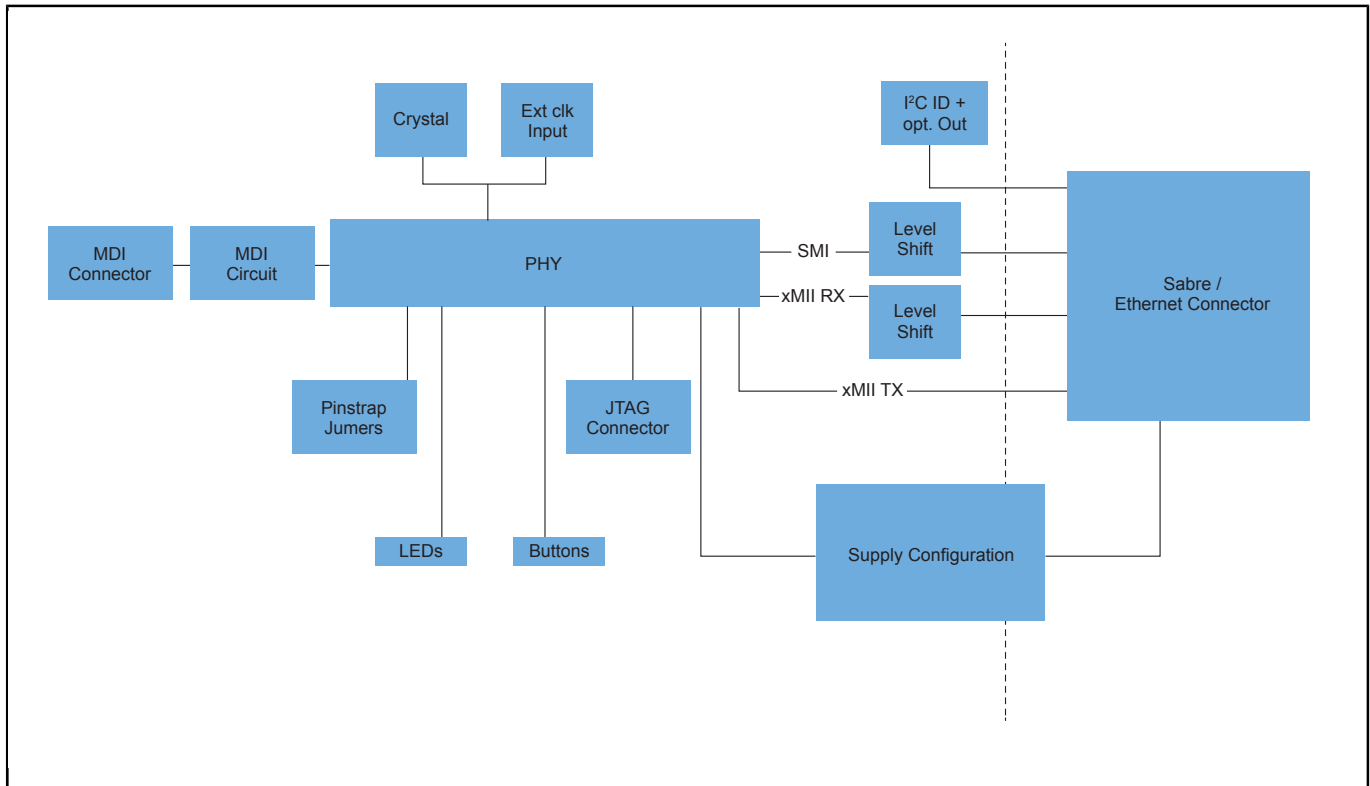
The TJA11xx-SDBx SABRE development boards are purpose-built tools to evaluate the SGMII and RGMII. From the naming convention, TJA11xx-SDBR and TJA11xx-SDBS include RGMII and SGMII, respectively.

To enable quick application prototyping, various NXP system development boards feature the common SABRE connector; for example, our latest radar SoCs.

These boards represent a reference design for scaling from 100 to 1000BASE-T1 with or without MACsec within our PHY family. The same board can be ordered with TJA1104 or TJA1120.

It is important to note that with the help of SABRE connector TJA11xx-SDBx board can smoothly interface with S32K and S32G  $\mu$ P/ $\mu$ C evaluation boards.

## TJA11xx-SDBx Block Diagram



View additional information for [SABRE Development Boards for TJA11xx PHYs](#).

**Note:** The information on this document is subject to change without notice.

**www.nxp.com**

NXP and the NXP logo are trademarks of NXP B.V. All other product or service names are the property of their respective owners. The related technology may be protected by any or all of patents, copyrights, designs and trade secrets. All rights reserved. © 2024 NXP B.V.