



Full-Bridge Controller IC for HID Automotive Lighting

UBA2036TS

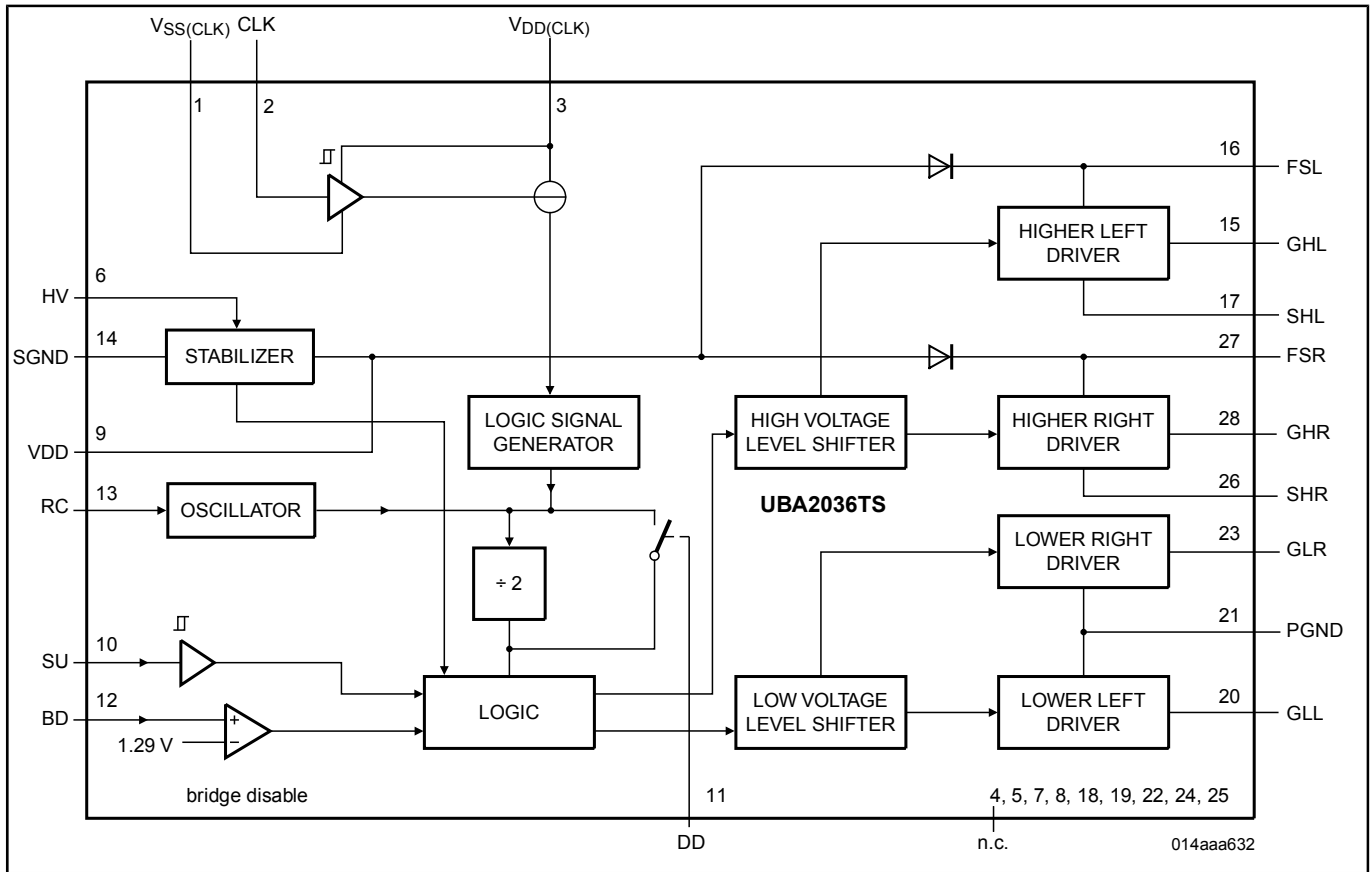
Archived

This page contains information on a product that is no longer manufactured (discontinued). Specifications and information herein are available for historical reference only.

Last Updated: Jul 6, 2023

The UBA2036TS is a high voltage monolithic integrated circuit (IC) manufactured in a High Voltage Silicon On Insulator (HVSOI) process. This circuit is designed for driving MOSFETs in a full bridge configuration. In addition, it features a disable function, an internal adjustable oscillator and an external clock input function with a high-voltage level shifter for driving the bridge. To guarantee an accurate 50% duty cycle, the oscillator signal can be passed through a divider before being fed to the output drivers. The UBA2036TS is especially suitable for High Intensity Discharge (HID) lamp drivers for car headlights, projectors and general lighting applications.

UBA2036TS Block Diagram



View additional information for [Full-Bridge Controller IC for HID Automotive Lighting](#).

Note: The information on this document is subject to change without notice.

www.nxp.com

NXP and the NXP logo are trademarks of NXP B.V. All other product or service names are the property of their respective owners. The related technology may be protected by any or all of patents, copyrights, designs and trade secrets. All rights reserved. © 2024 NXP B.V.