



UCODE Nxm RAIN RFID IC with Configurable Memory for Industrial IoT and Digital Product Passport

UCODE-NXM NEW

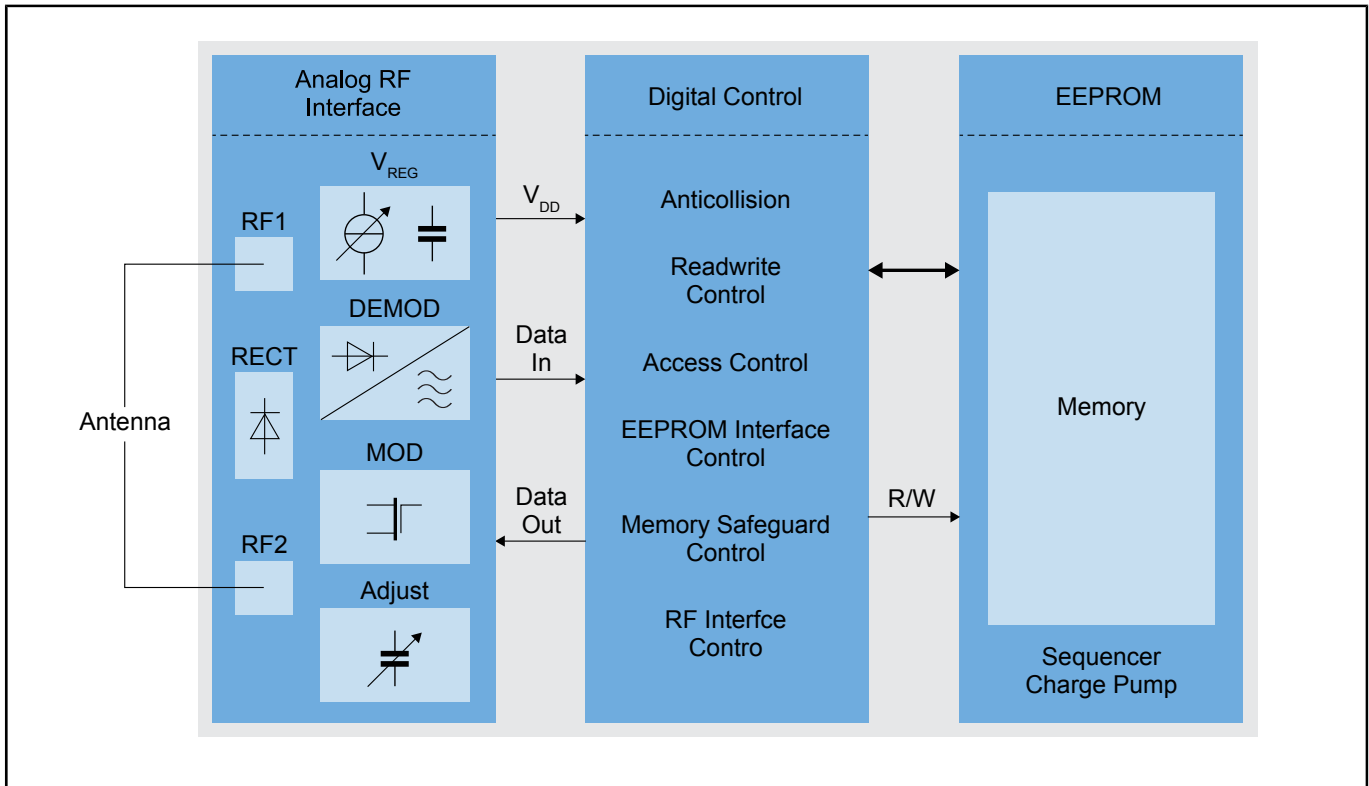
Preproduction

This page contains information on a preproduction product. Specifications and information herein are subject to change without notice. For additional information please contact your sales representative.

Last Updated: Jun 30, 2026

UCODE Nxm is a RAIN RFID IC designed for high-capacity item identification in industrial IoT and digital product passport applications. It combines market-leading sensitivity with configurable EPC and user memory, supporting up to 880 bits shared memory. The IC enables scalable designs across manufacturing, logistics, healthcare and aviation by storing extended data directly on the tag while maintaining standards-based privacy and data integrity.

UCODE Nxm Block Diagram



View additional information for [UCODE Nxm RAIN RFID IC with Configurable Memory for Industrial IoT and Digital Product Passport](#).

Note: The information on this document is subject to change without notice.

www.nxp.com

NXP and the NXP logo are trademarks of NXP B.V. All other product or service names are the property of their respective owners. The related technology may be protected by any or all of patents, copyrights, designs and trade secrets. All rights reserved. © 2026 NXP B.V.