



# LIN Core System Basis Chip

## UJA1079ATW

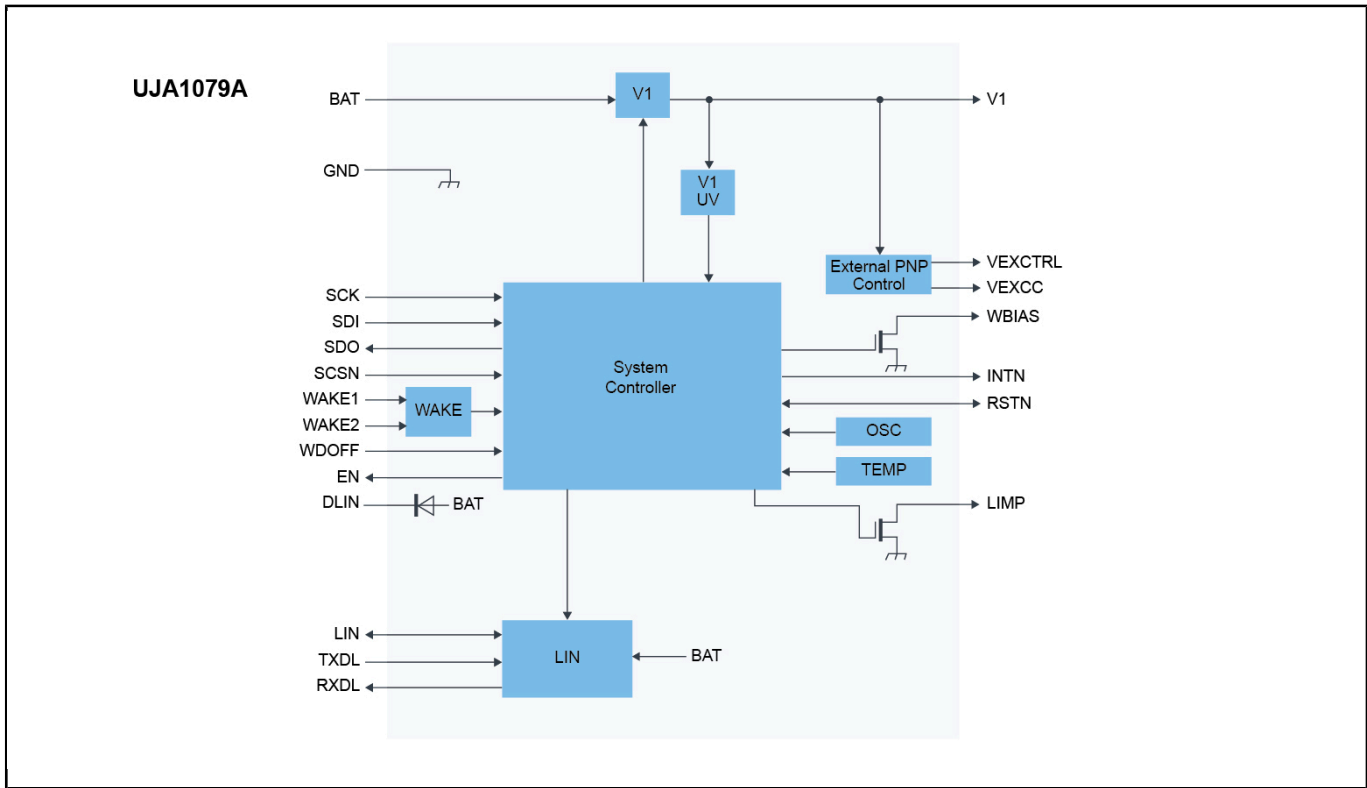
Last Updated: Jul 25, 2022

The UJA1079A core System Basis Chip (SBC) replaces the basic discrete components commonly found in Electronic Control Units (ECU) with a LIN transceiver, combined with a 250 mA voltage regulator for supplying a microcontroller; extendable with external PNP transistor for active power distribution.

The UJA1079A supports the networking applications used to control power and sensor peripherals by using the LIN interface as a local sub-bus.

The UJA1079A is designed to be used in combination with a microcontroller. The SBC ensures that the microcontroller always starts up in a controlled manner.

# UJA1079ATW Block Diagram Block Diagram



View additional information for [LIN Core System Basis Chip](#).

**Note:** The information on this document is subject to change without notice.

[www.nxp.com](http://www.nxp.com)

NXP and the NXP logo are trademarks of NXP B.V. All other product or service names are the property of their respective owners. The related technology may be protected by any or all of patents, copyrights, designs and trade secrets. All rights reserved. © 2023 NXP B.V.