



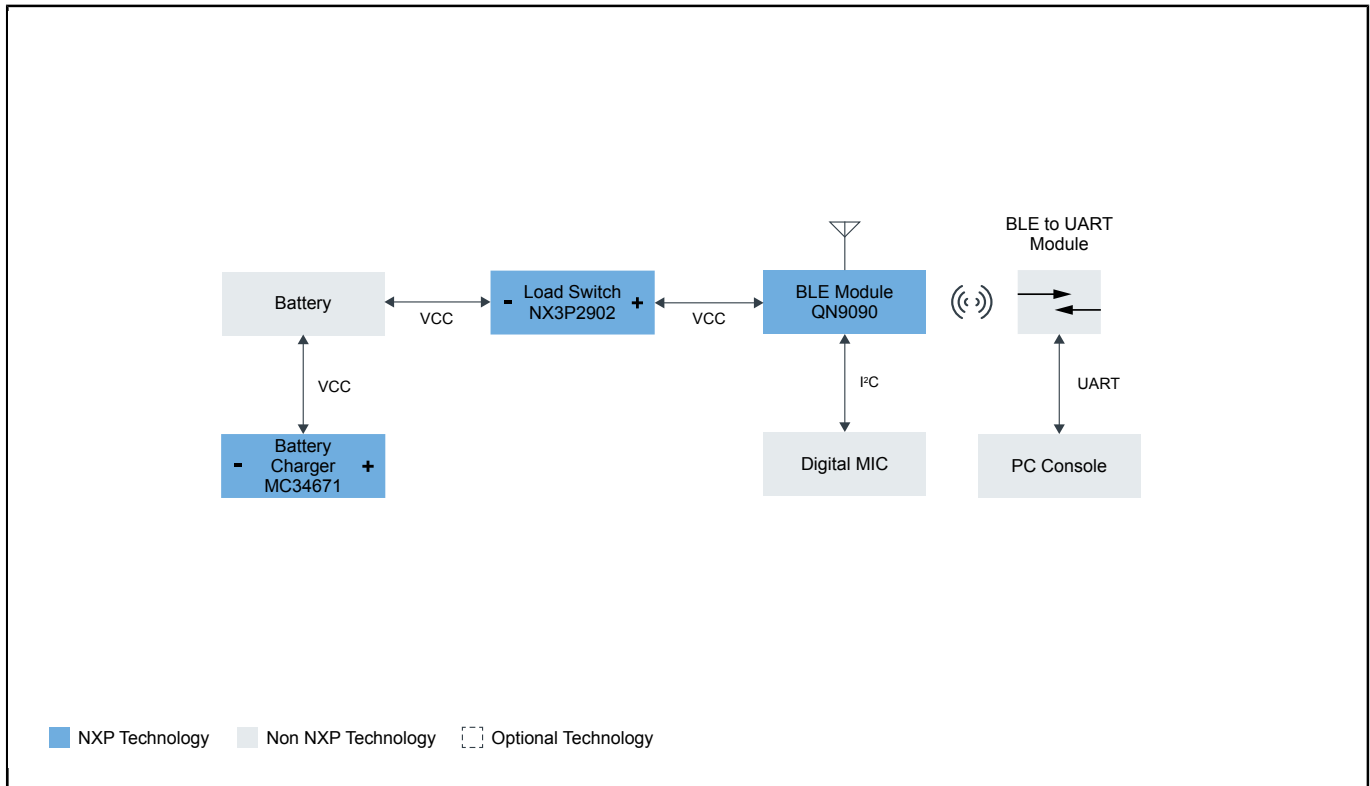
# Voice Over BLE Solution

## VOICE-OVER-BLE-SOLUTION

Last Updated: Dec 14, 2024

Our portfolio of low-power, cost-effective wireless solutions for embedded devices address many monitoring and control applications for the Internet of Things including consumer, smart energy, industrial, and healthcare. The solution described the VoLE (Voice over BLE), which is used to implement a Low Energy audio wireless transfer function over BLE this solution is based on NXP BLE5.0 chip QN9090.

## Voice Over BLE Solution Block Diagram



View additional information for [Voice Over BLE Solution](#).

**Note:** The information on this document is subject to change without notice.

**www.nxp.com**

NXP and the NXP logo are trademarks of NXP B.V. All other product or service names are the property of their respective owners. The related technology may be protected by any or all of patents, copyrights, designs and trade secrets. All rights reserved. © 2025 NXP B.V.