



# **MP-A11 Fixed Frequency Transmitter 22 Watt Capability Reference Design**

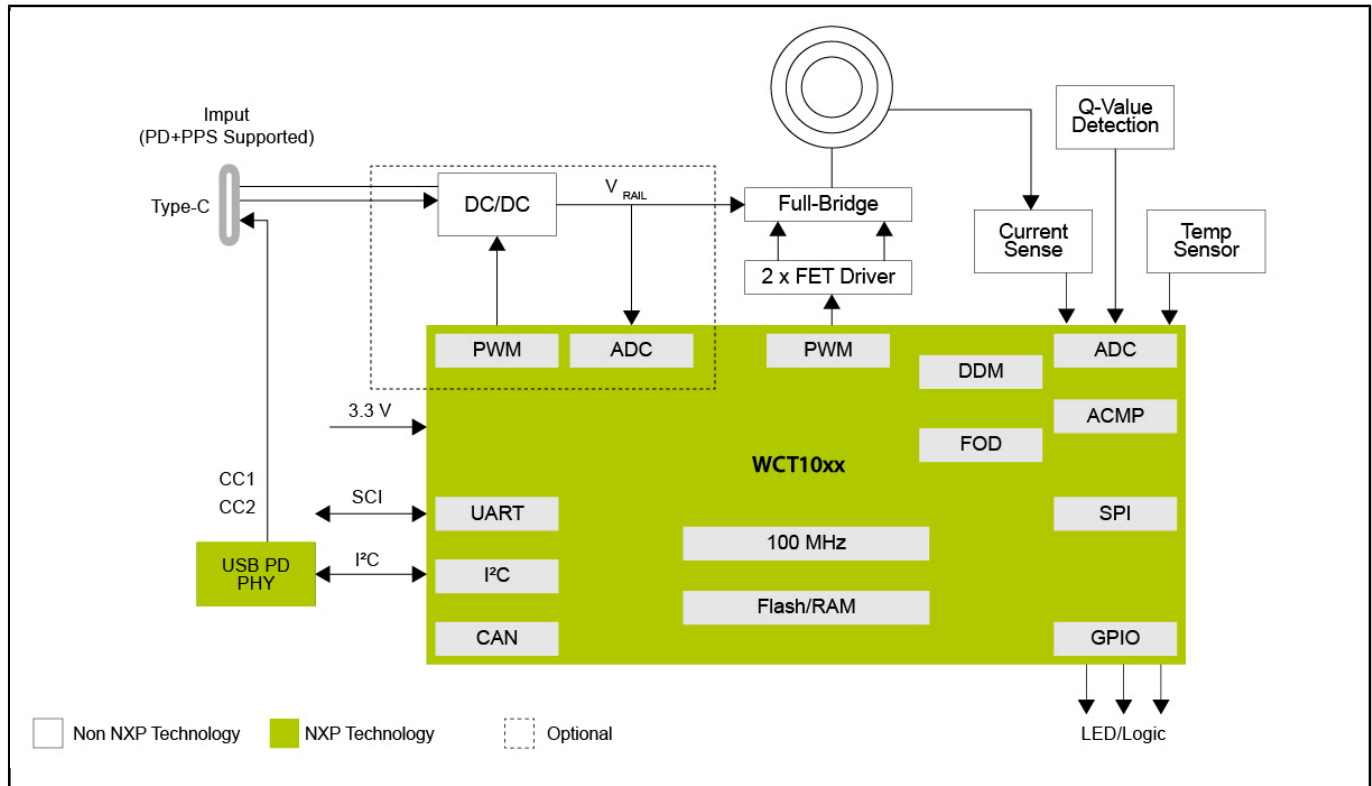
## **WCT-15W1CFFPD**

Last Updated: Nov 15, 2022

The 22 W MP-A11 single-coil fixed frequency wireless charging transmitter reference design uses the WCT10xx transmitter controller IC that integrates all required functions for the wireless power consortium (WPC) Qi-compliant wireless power transmitter design.

[WCT-15W1CFFPD Qi Wireless Charging Transmitter Solution - Fact Sheet](#)

# Fixed Frequency Transmitter Block Diagram



View additional information for [MP-A11 Fixed Frequency Transmitter 22 Watt Capability Reference Design](#).

**Note:** The information on this document is subject to change without notice.

[www.nxp.com](http://www.nxp.com)

NXP and the NXP logo are trademarks of NXP B.V. All other product or service names are the property of their respective owners. The related technology may be protected by any or all of patents, copyrights, designs and trade secrets. All rights reserved. © 2022 NXP B.V.