



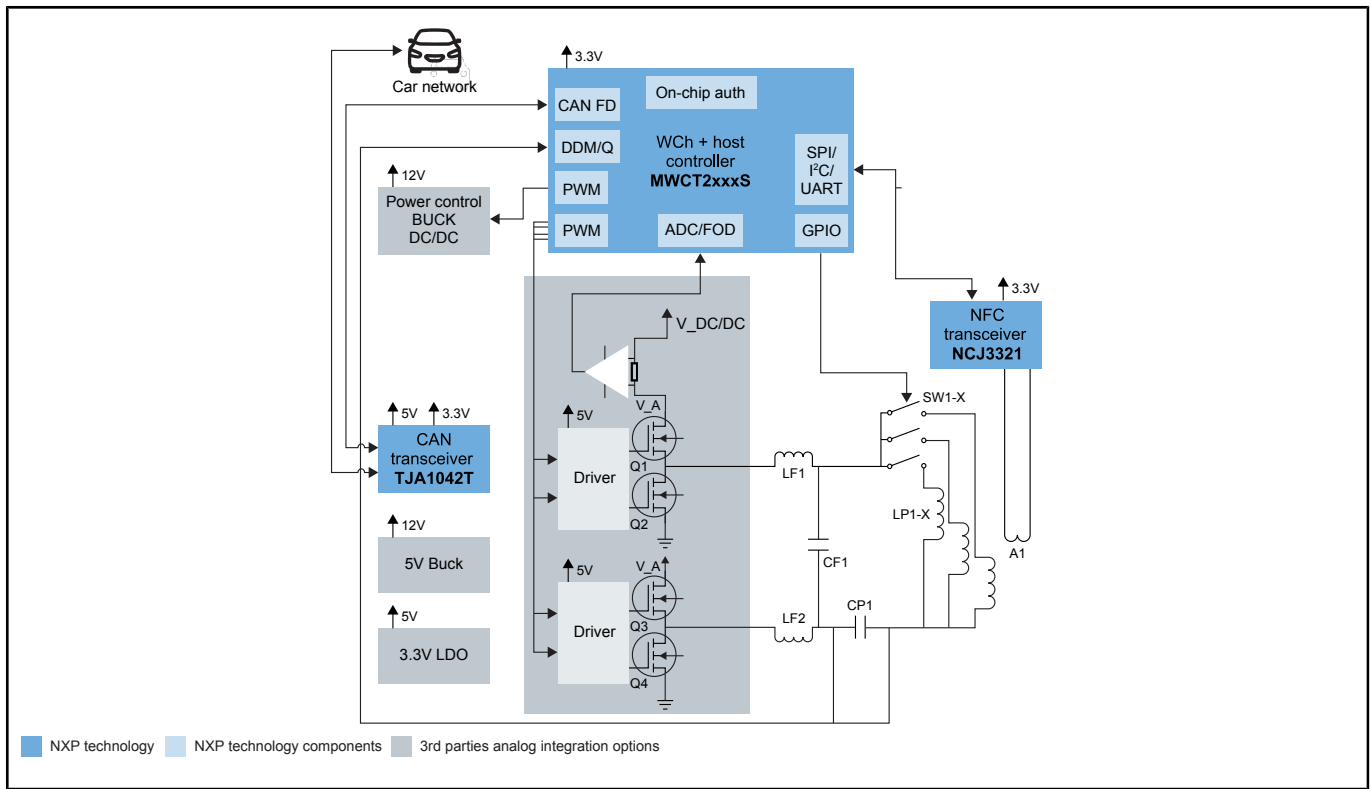
AUTOSAR Qi2 Wireless Charging Transmitter with Integrated Security Module

WCT-15WAUTOS2

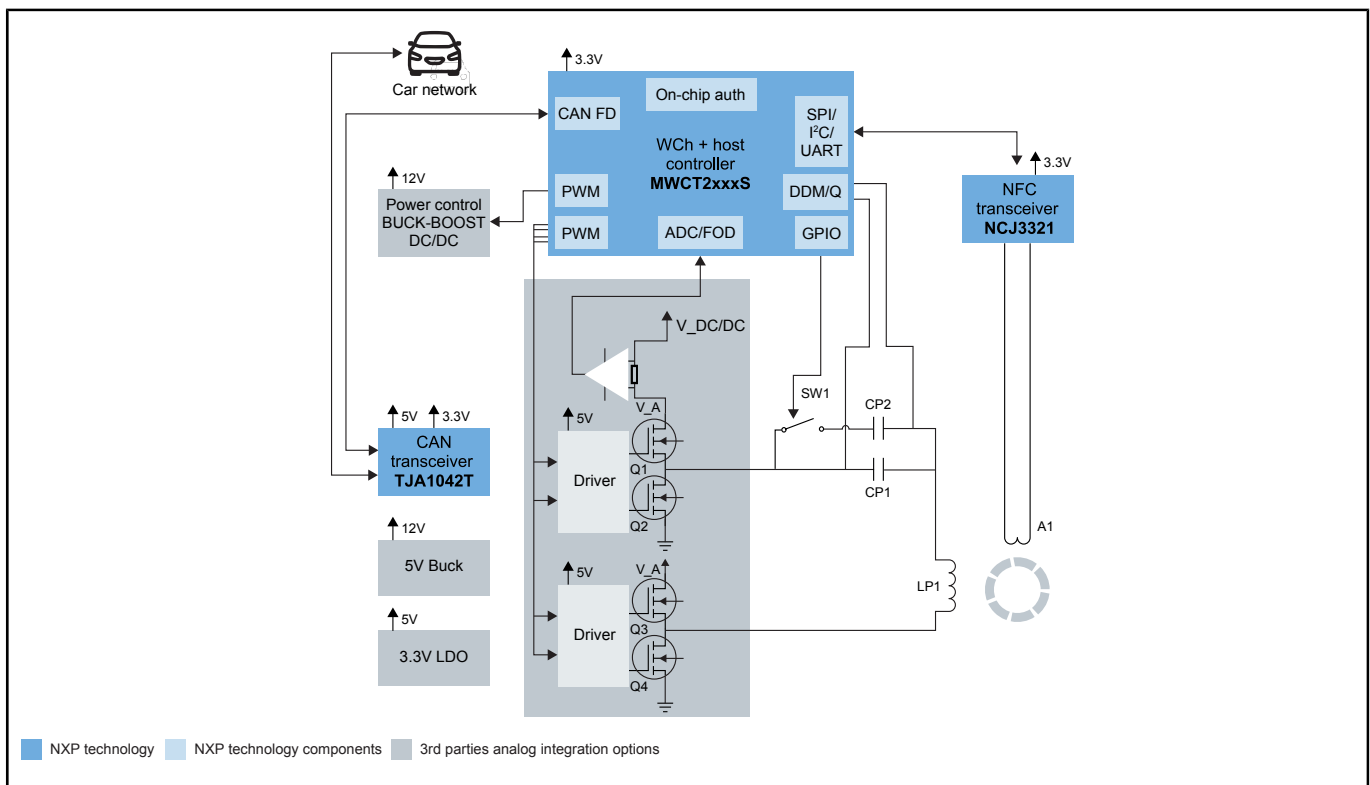
Last Updated: Dec 24, 2025

The WCT-15WAUTOS2 wireless power transmitter provides complete controller functionality with AUTOSAR and non-AUTOSAR SW enablement to implement a wireless charging transmitter solution in an automotive environment. Featuring an integrated security module designed for automotive security and on-chip Qi authentication, with flexible 512-4MB memory and both single and dual core options.

15WAUTOS2 Block Diagram



MPPAUTOS2 After HW Modification Block Diagram



View additional information for [AUTOSAR Qi2 Wireless Charging Transmitter with Integrated Security Module](#).

Note: The information on this document is subject to change without notice.

www.nxp.com

NXP and the NXP logo are trademarks of NXP B.V. All other product or service names are the property of their respective owners. The related technology may be protected by any or all of patents, copyrights, designs and trade secrets. All rights reserved. © 2026 NXP B.V.