



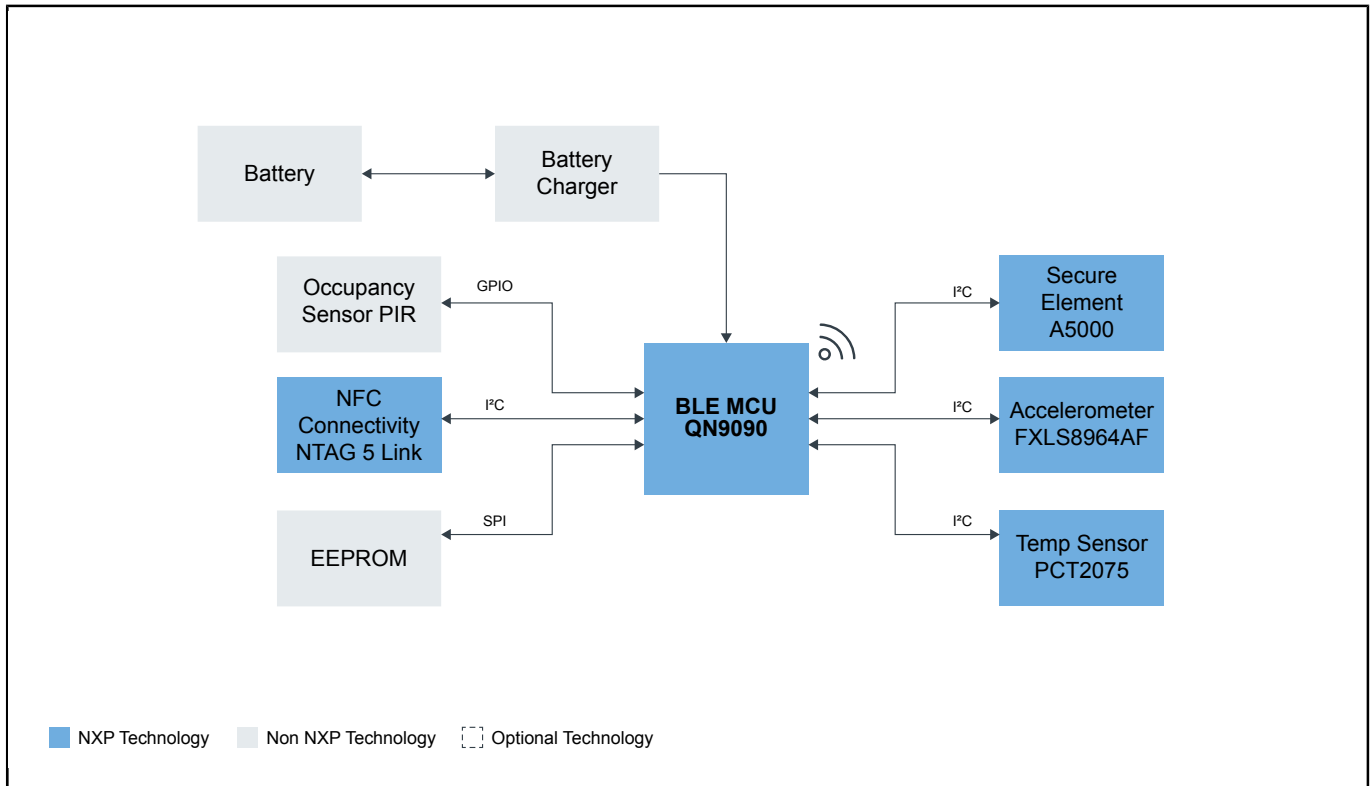
# Wireless Occupancy Sensor

## WIRELESS-OCCUPANCY-SENSOR

Last Updated: Oct 5, 2022

NXP's wide portfolio offers several options for buildings security solutions, our wireless MCUs are the perfect choice when a battery-powered, occupancy sensor or a surveillance low-power system is required. The cost-effective crossover i.MX RT MCUs offer a great solution for video processing and data management for wireless IP video cameras. NXP's WIFI 6 modules ensure low latency and high-quality connection for IP cameras solutions.

## Wireless Occupancy Sensor Block Diagram



View additional information for [Wireless Occupancy Sensor](#).

**Note:** The information on this document is subject to change without notice.

[www.nxp.com](http://www.nxp.com)

NXP and the NXP logo are trademarks of NXP B.V. All other product or service names are the property of their respective owners. The related technology may be protected by any or all of patents, copyrights, designs and trade secrets. All rights reserved. © 2022 NXP B.V.