



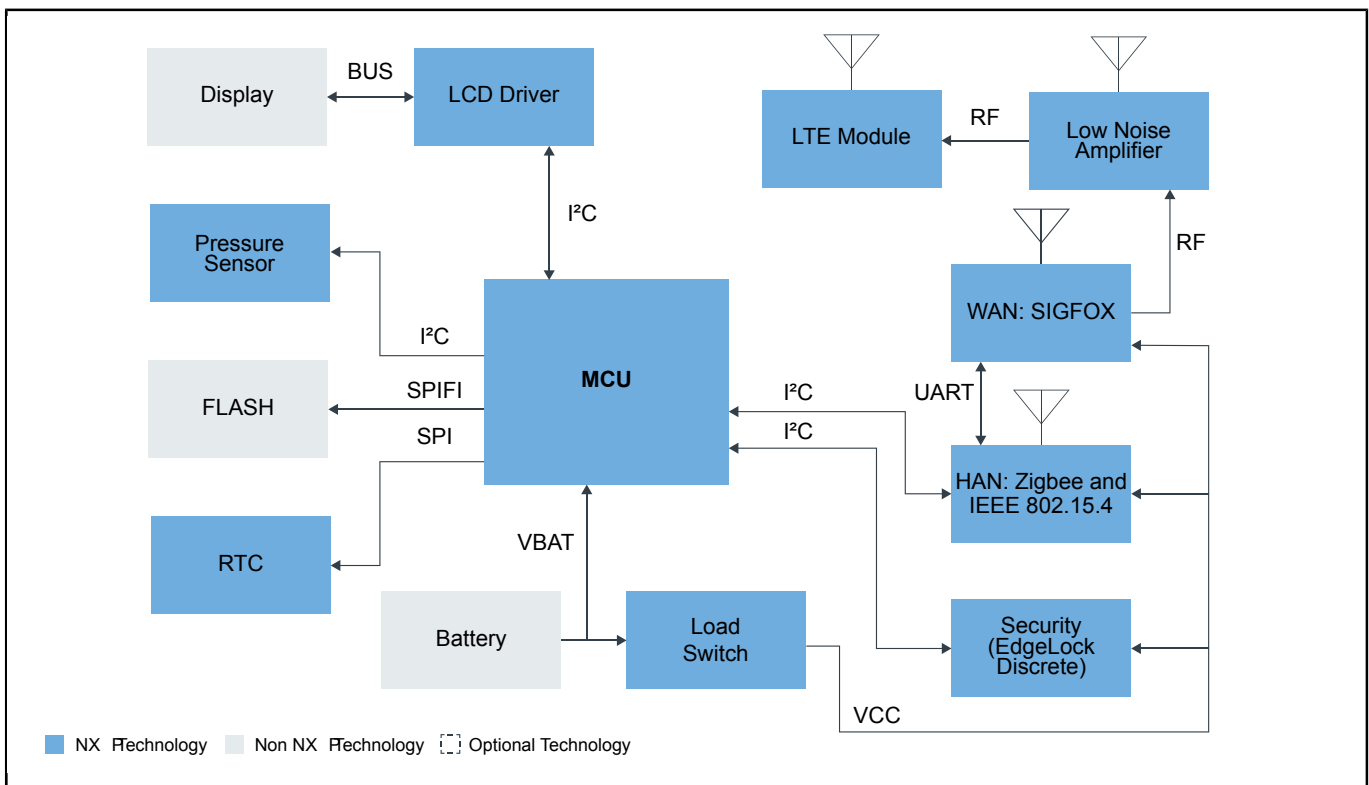
# Water Meter

Last Updated: Dec 16, 2021

NXP connectivity solutions for smart metering address the challenges smart cities face for reliable, secure communications for remote metering and home energy management. We enable remote metering with NAN technologies like IEEE 802.15.4 and Wireless MBUS. Additionally, NXP fosters smart energy management inside homes with HAN technologies like ZigBee.

Flow meters help smart cities measure the volume of water at a specific time or over a long period. The measurement is then displayed on low-power segment LCDs, often driven by segment LCD drivers on an MCU. Advanced flow meters incorporate RF communication interfaces for connecting to one-way or two-way RF meter reading systems.

## Water meter LPC Block Diagram

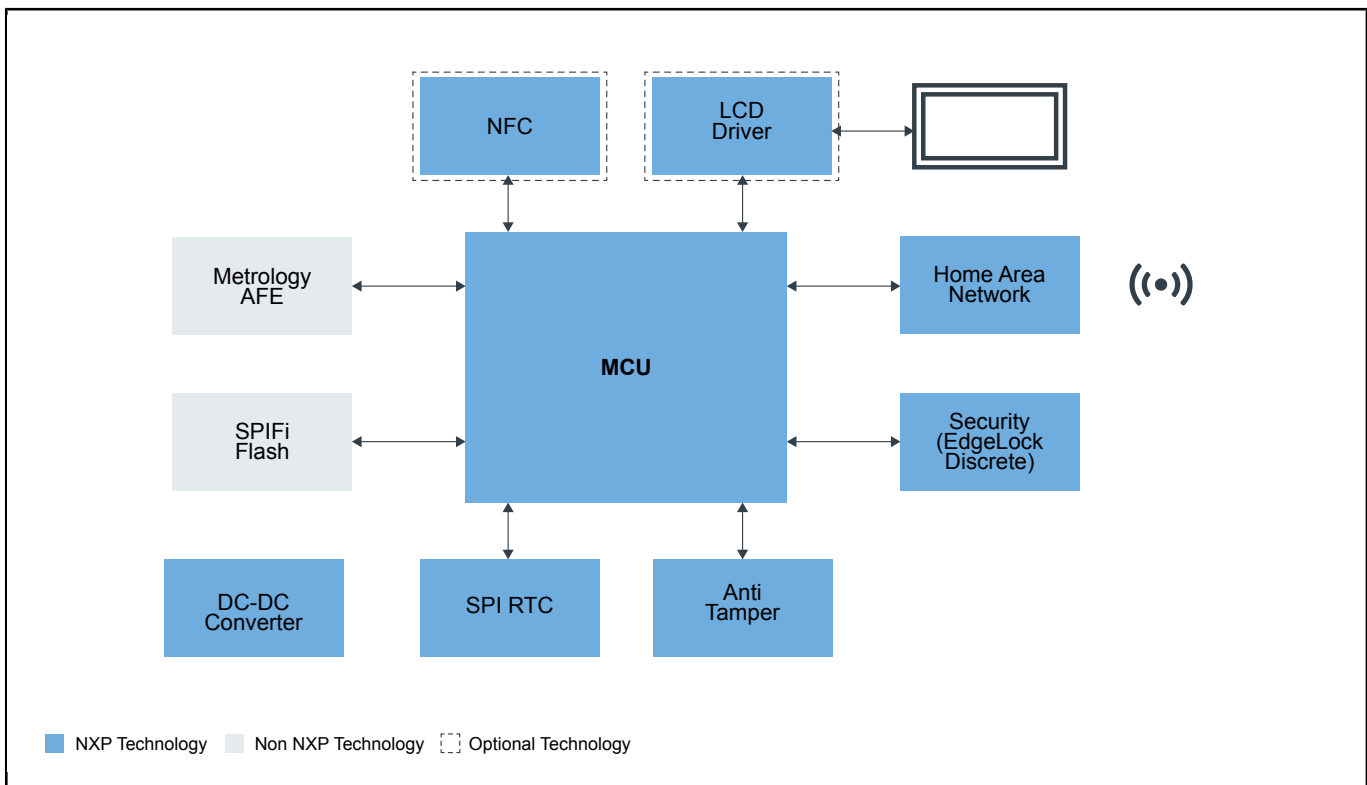


### Recommended Products for Water meter LPC

MCU	<ul style="list-style-type: none"> <li>• <a href="#">LPC546XX</a>: Power-Efficient Microcontrollers (MCUs) With Advanced Peripherals Based on Arm® Cortex®-M4 Core</li> </ul>
-----	---

Home Area Network	<ul style="list-style-type: none"> <li>• <a href="#">JN5169</a>: ZigBee and IEEE802.15.4 Wireless Microcontroller with 512 kB Flash, 32 kB RAM</li> <li>• <a href="#">K32W061/41</a>: High Performance, Secure and Ultra-Low-Power MCU for Zigbee®, Thread™, and Bluetooth® LE 5.0 with Built-in NFC Option</li> </ul>
Wide Area Network	<ul style="list-style-type: none"> <li>• <a href="#">OL2385AHN</a>: Low-Power Multi-Channel UHF RF Wireless Platform</li> </ul>
Low noise amplifier	<ul style="list-style-type: none"> <li>• <a href="#">BGS8L5</a>: SiGe:C LNA LTE Bypass</li> </ul>
Driver	<ul style="list-style-type: none"> <li>• <a href="#">PCF85133U</a>: Universal LCD Driver for Low Multiplex Rates</li> </ul>
Peripherals	<ul style="list-style-type: none"> <li>• <a href="#">PCF2123</a>: SPI Real-Time Clock/Calendar</li> <li>• <a href="#">MPXx5050</a>: -50 to 50kPa, Differential and Gauge Pressure Sensor</li> <li>• <a href="#">PCF2131</a>: Nano-Power Highly Accurate RTC with Integrated Quartz Crystal</li> </ul>
Security (EdgeLock Discrete)	<ul style="list-style-type: none"> <li>• <a href="#">EdgeLock® SE050</a>: Plug &amp; Trust Secure Element Family – Enhanced IoT security with maximum flexibility</li> </ul>
Peripherals	<ul style="list-style-type: none"> <li>• <a href="#">Peripherals</a>: -50 to 50kPa, Differential and Gauge Pressure Sensor</li> <li>• <a href="#">Peripherals</a>: SPI Real-Time Clock/Calendar</li> <li>• <a href="#">Peripherals</a>: Nano-Power Highly Accurate RTC with Integrated Quartz Crystal</li> </ul>
RF Switch (LTE)	<ul style="list-style-type: none"> <li>• <a href="#">NX3P2902BUK</a>: Logic-Controlled High-Side Power Switch</li> <li>• <a href="#">SA630D</a>: Single-Pole Double-Throw (SPDT) Switch</li> </ul>
RF Switch (LTE)	<ul style="list-style-type: none"> <li>• <a href="#">NX3P2902BUK</a>: Logic-Controlled High-Side Power Switch</li> <li>• <a href="#">SA630D</a>: Single-Pole Double-Throw (SPDT) Switch</li> </ul>

## Water Meter KL Block Diagram



Recommended Products for Water Meter KL	
MCU	<ul style="list-style-type: none"> <li>• <a href="#">KL8x</a>: Kinetis® KL8x-72/96 MHz Secure Ultra-Low Power Microcontrollers (MCUs) based on Arm® Cortex®-M0+ Core</li> <li>• <a href="#">KL3x</a>: Kinetis® KL3x-48 MHz, Segment LCD Ultra-Low-Power Microcontrollers (MCUs) based on Arm® Cortex®-M0+ Core</li> </ul>
Security (EdgeLock Discrete)	<ul style="list-style-type: none"> <li>• <a href="#">EdgeLock® SE050</a>: Plug &amp; Trust Secure Element Family – Enhanced IoT security with maximum flexibility</li> </ul>
Wireless	<ul style="list-style-type: none"> <li>• <a href="#">JN5169</a>: ZigBee and IEEE802.15.4 Wireless Microcontroller with 512 kB Flash, 32 kB RAM</li> </ul>
Anti Tamper	<ul style="list-style-type: none"> <li>• <a href="#">FXOS8700CQ</a>: Digital Motion Sensor - 3D Accelerometer (±2g/±4g/±8g) + 3D Magnetometer</li> </ul>
RTC	<ul style="list-style-type: none"> <li>• <a href="#">PCF2123</a>: SPI Real-Time Clock/Calendar</li> <li>• <a href="#">PCF2131</a>: Nano-Power Highly Accurate RTC with Integrated Quartz Crystal</li> </ul>
Driver	<ul style="list-style-type: none"> <li>• <a href="#">PCF85133U</a>: Universal LCD Driver for Low Multiplex Rates</li> </ul>
Power Management	<ul style="list-style-type: none"> <li>• <a href="#">PCA9410_9410A</a>: 3.0 MHz, 500 MA, DC-to-DC Boost Converter</li> </ul>
NFC	<ul style="list-style-type: none"> <li>• <a href="#">PN512</a>: Standard NFC Frontend</li> </ul>

View our complete solution for [Water Meter](#).

**Note:** The information on this document is subject to change without notice.

---

## www.nxp.com

NXP and the NXP logo are trademarks of NXP B.V. All other product or service names are the property of their respective owners. The related technology may be protected by any or all of patents, copyrights, designs and trade secrets. All rights reserved. © 2021 NXP B.V.