



MSDI with Suppressed Wake-up and 32 mA Wetting Current

MC34975

アーカイブス

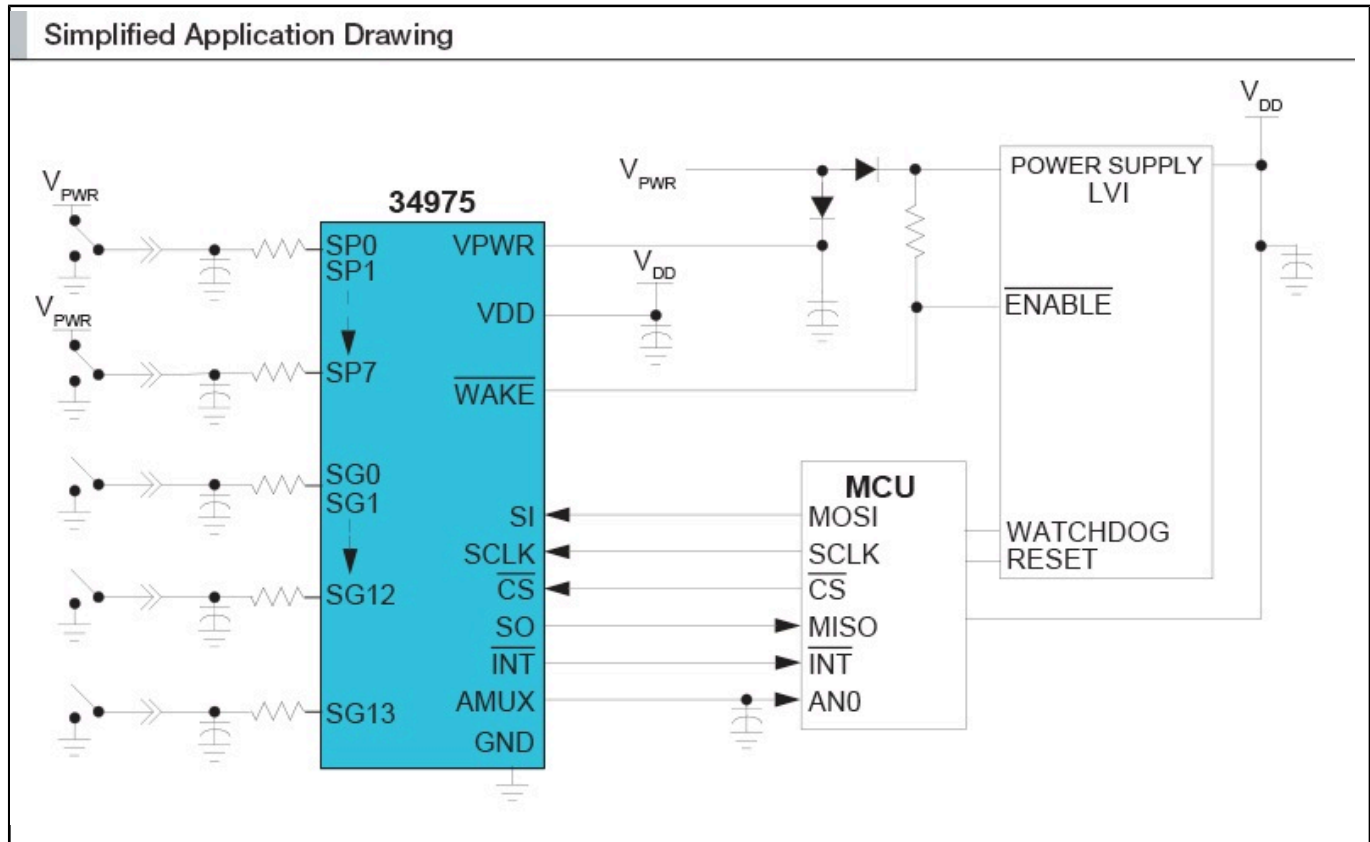
このページには、製造中止（生産終了）となった製品の情報が記載されています。本ページに記載されている仕様および情報は、過去の参考情報です。

Last Updated: Jul 21, 2023

The NXP® MC34975 Multiple Switch Detection Interface (MSDI) with Suppressed Wake-up is designed to detect the closing and opening of up to 22 switch contacts.

- The switch status, either open or closed, is transferred to the microcontroller unit (MCU) through a serial peripheral interface (SPI)
- The device also features a 22-to-1 analog multiplexer for reading inputs as analog

Simplified Application Drawing Block Diagram



View additional information for [MSDI with Suppressed Wake-up and 32 mA Wetting Current](#).

Note: The information on this document is subject to change without notice.

www.nxp.com

NXP and the NXP logo are trademarks of NXP B.V. All other product or service names are the property of their respective owners. The related technology may be protected by any or all of patents, copyrights, designs and trade secrets. All rights reserved. © 2024 NXP B.V.