



# EdgeReady MCU Based Solution for Alexa for IOT

## MCU-VOICE-CONTROL-AVS

新規採用非推奨

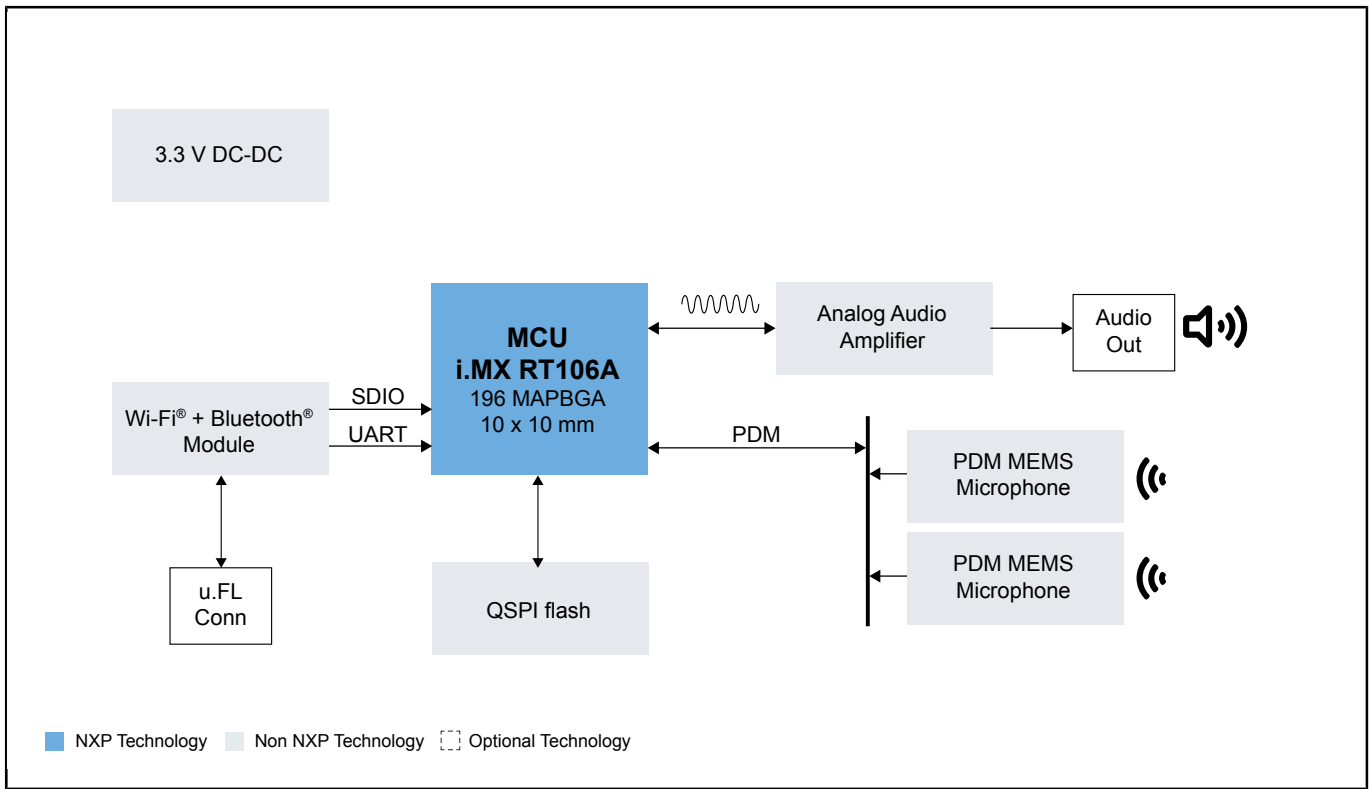
このページでは、新規設計を推奨しない製品に関する情報を掲載しています。

Last Updated: Jun 12, 2023

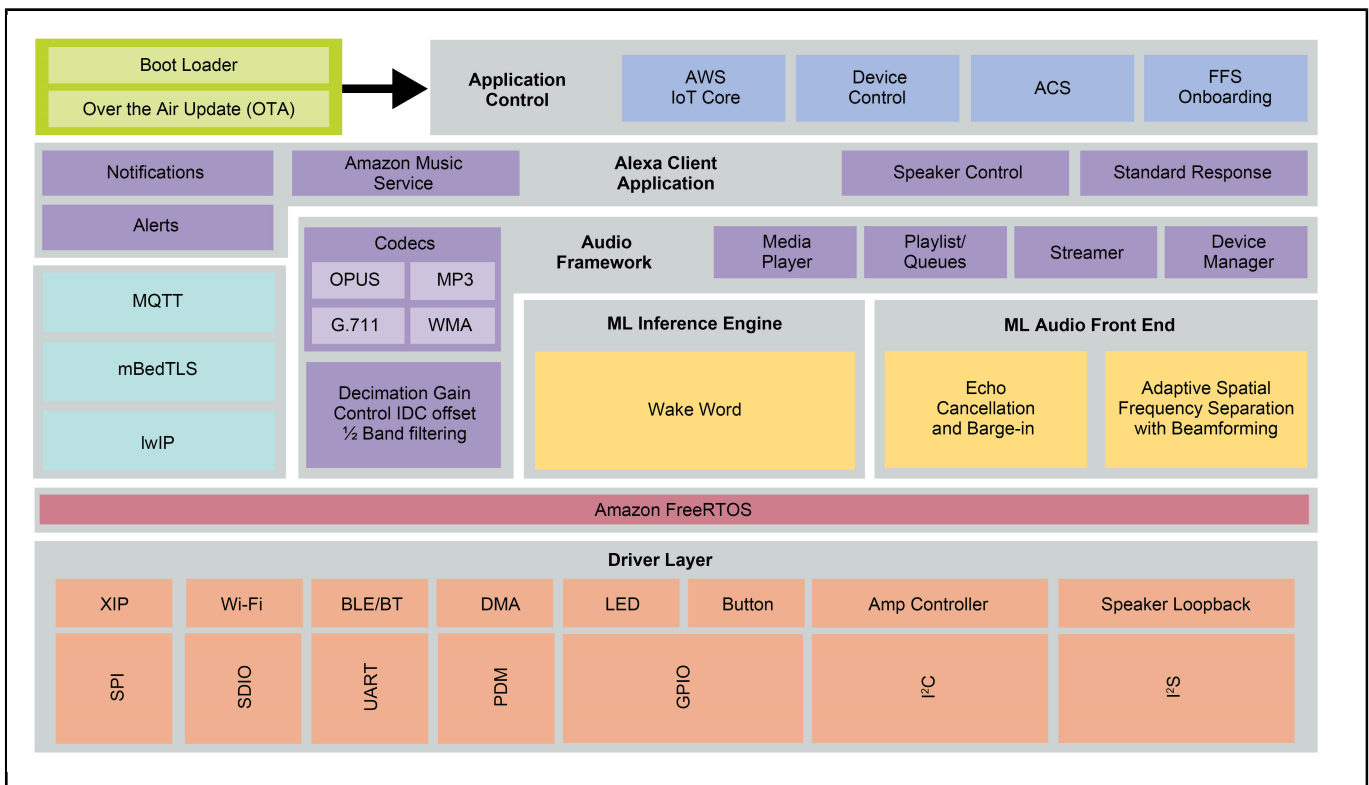
NXP EdgeReady MCU-based solution for Amazon's Alexa Voice Service (AVS) integration for AWS IoT Core (aka Alexa for IoT, or AFI), leverages the i.MX RT crossover MCU, enabling developers to quickly and easily add Alexa voice assistant capabilities to their products. Part of the EdgeVerse edge computing platform, This i.MX RT106A based turnkey solution consists of a hardware reference design integrated with Amazon qualified software, built on Amazon Common Software (ACS) and FreeRTOS for easy integration with AVS and AWS IoT. Out-of-the-box the solution development kit, SLN-ALEXA-IOT, delivers an experience similar to an Amazon Echo™ speaker, and is easily connected to the user's Wi-Fi network and Alexa account using Amazon's Frustration Free Setup (FFS).

Retune DSP is now part of NXP. [Find out more.](#)

## i.MX RT Hardware Block Diagram



## i.MX RT Software Block Diagram



View additional information for [EdgeReady MCU Based Solution for Alexa for IOT](#).

**Note:** The information on this document is subject to change without notice.

---

**[www.nxp.com](http://www.nxp.com)**

NXP and the NXP logo are trademarks of NXP B.V. All other product or service names are the property of their respective owners. The related technology may be protected by any or all of patents, copyrights, designs and trade secrets. All rights reserved. © 2024 NXP B.V.