



# Quad 1-of-2 Video Multiplexer/ Demultiplexer

## NX5DV330

アーカイブス

このページには、製造中止（生産終了）となった製品の情報が記載されています。本ページに記載されている仕様および情報は、過去の参考情報です。

Last Updated: Oct 14, 2023

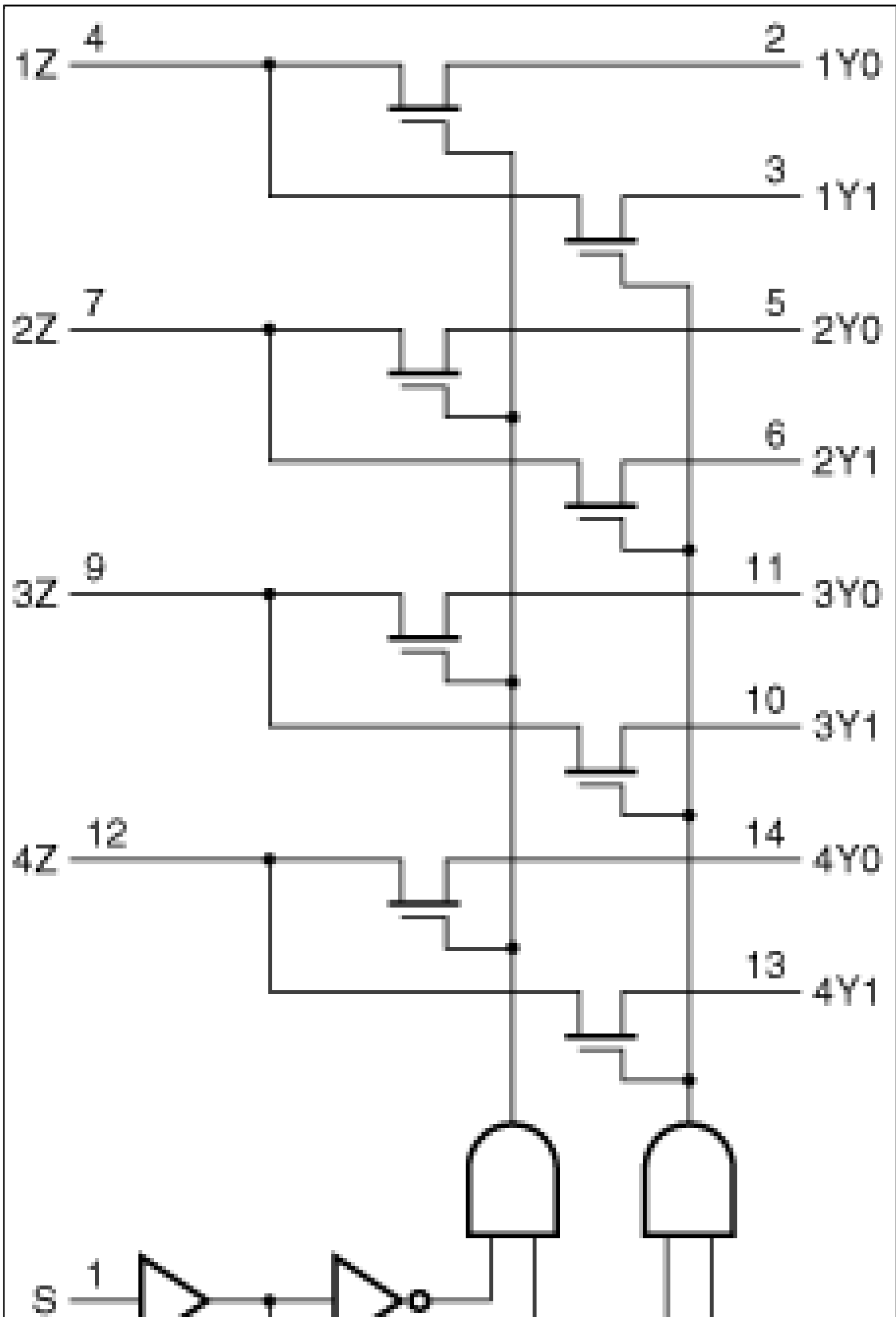
The NX5DV330 is a quad 1-of-2 high-speed TTL-compatible video multiplexer/demultiplexer. The low ON resistance of the switch allows inputs to be connected to outputs without adding propagation delay or generating additional ground bounce noise

It has a digital select input (S), four independent inputs/outputs (nY0, nY1), a common input/output (nZ) and an active LOW enable input (E). When pin E is HIGH, the switch is turned off.

Schmitt-trigger action at the enable input (E) and select input (S) makes the circuit tolerant to slower input rise and fall times across the entire VCC range from 4.0 V to 5.5 V.

The NX5DV330 is characterized for operation from -40 Cel to +85 Cel.

**Block diagram: NX5DV330BQ, NX5DV330D, NX5DV330DS, NX5DV330PW Block Diagram**



View additional information for [Quad 1-of-2 Video Multiplexer/Demultiplexer](#).

**Note:** The information on this document is subject to change without notice.

---

**[www.nxp.com](http://www.nxp.com)**

NXP and the NXP logo are trademarks of NXP B.V. All other product or service names are the property of their respective owners. The related technology may be protected by any or all of patents, copyrights, designs and trade secrets. All rights reserved. © 2024 NXP B.V.