



Enterprise Access Point

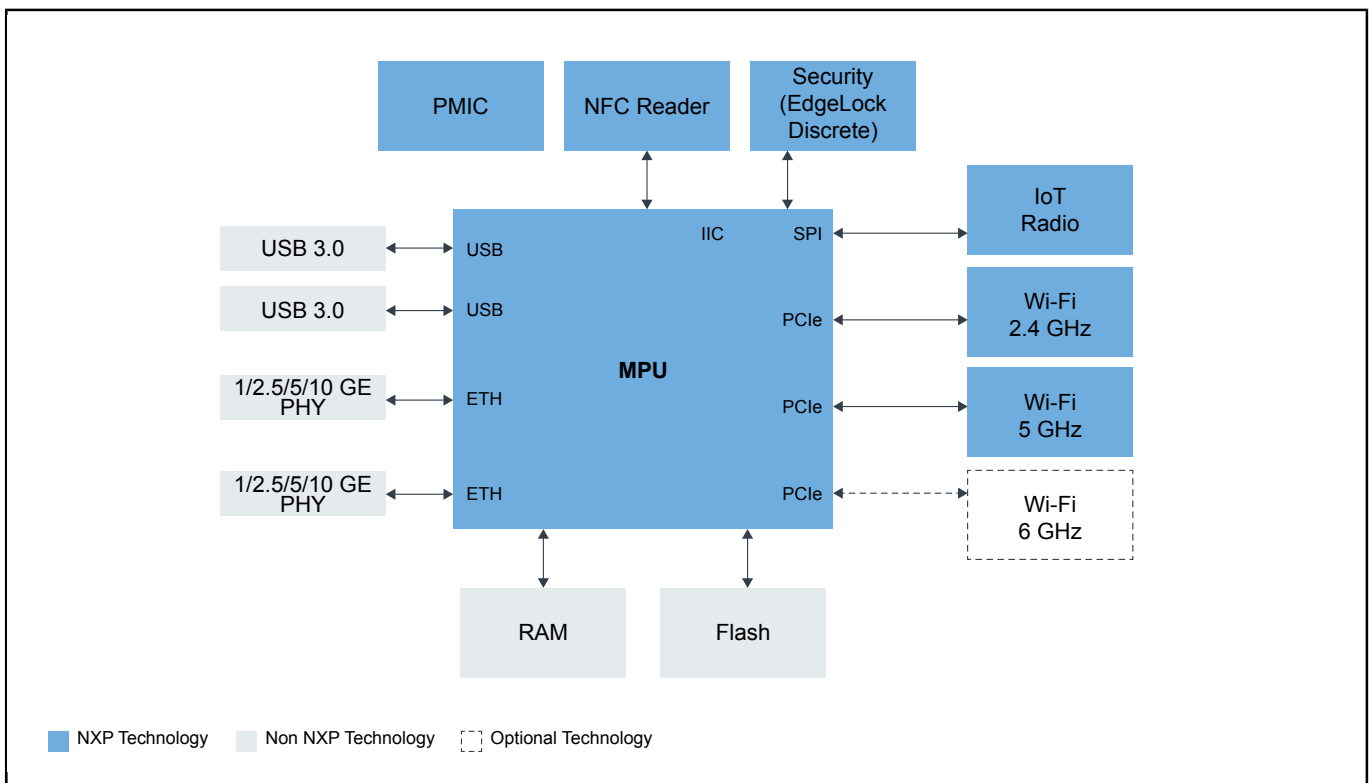
Last Updated: Jan 10, 2022

Carrier/Enterprise WLAN Access Points are used to deliver Wi-Fi services in enterprise and commercial environments. They also communicate with a central router or cloud controller, which manages the overall Wi-Fi system for the site.

NXP can offer a complete system solution, including the following key elements:

- Scalable Layerscape network processors
- Leading Wi-Fi access chipsets
- IoT connectivity solutions
- Production-grade OpenWRT-based software platforms

WLAN Block Diagram



Recommended Products for WLAN	
MPU	<ul style="list-style-type: none"> • LS1043A: Layerscape® 1043A and 1023A Processors • LS1046A: Layerscape® 1046A and 1026A Processors • LS1021A: Layerscape® 1021A Dual-Core Processor with LCD Controller
Wi-Fi 2.4GHz	<ul style="list-style-type: none"> • 88W9098: 2.4/5 GHzデュアルバンド2x2 Wi-Fi® 6 (802.11ax) + Bluetooth® 5.3 • 88W8997: 2.4/5 GHzデュアルバンド2x2 Wi-Fi® 5 (802.11ac) + Bluetooth® 5.3ソリューション
Wi-Fi 5GHz	<ul style="list-style-type: none"> • 88W8997: 2.4/5 GHzデュアルバンド2x2 Wi-Fi® 5 (802.11ac) + Bluetooth® 5.3ソリューション • 88W9064: 2.4/5 GHz Dual-Band 4x4 Wi-Fi® 6 (802.11ax) Access Solution
IOT Radio	<ul style="list-style-type: none"> • K32W061_41: K32W061/41: High-Performance, Secure and Ultra-Low-Power MCU for Zigbee®, Thread™, and Bluetooth® LE 5.0 with Built-In NFC Option • JN5189_88_T: JN5189/88 (T): High-Performance and Ultra-Low-Power MCUs for Zigbee® and Thread with Built-In NFC Option
PMIC	<ul style="list-style-type: none"> • PF8100-PF8200: 12-Channel Power Management Integrated Circuit (PMIC) for High-Performance Processing Applications • MC34VR500: Multi-Output DC/DC Regulator
NFC Reader	<ul style="list-style-type: none"> • PN7160: 統合型ファームウェアおよびNCIインターフェース搭載NFC Plug and Playコントローラ
Security (EdgeLock Discrete)	<ul style="list-style-type: none"> • SE050: EdgeLock® SE050 : Plug & Trustセキュア・エレメント・ファミリー柔軟性に優れた、IoT向けの高度なセキュリティ • SE051: EdgeLock® SE051 : 更新機能とカスタム・アプレットのサポートを備えた実証済みで使いやすいIoTセキュリティ・ソリューション • EDGELOCK-A5000: EdgeLock® A5000 Plug and Trust Secure Authenticator: Authentication Made Secure, Scalable and Easy

View our complete solution for [Enterprise Access Point](#).

Note: The information on this document is subject to change without notice.

www.nxp.com

NXP and the NXP logo are trademarks of NXP B.V. All other product or service names are the property of their respective owners. The related technology may be protected by any or all of patents, copyrights, designs and trade secrets. All rights reserved. © 2024 NXP B.V.