



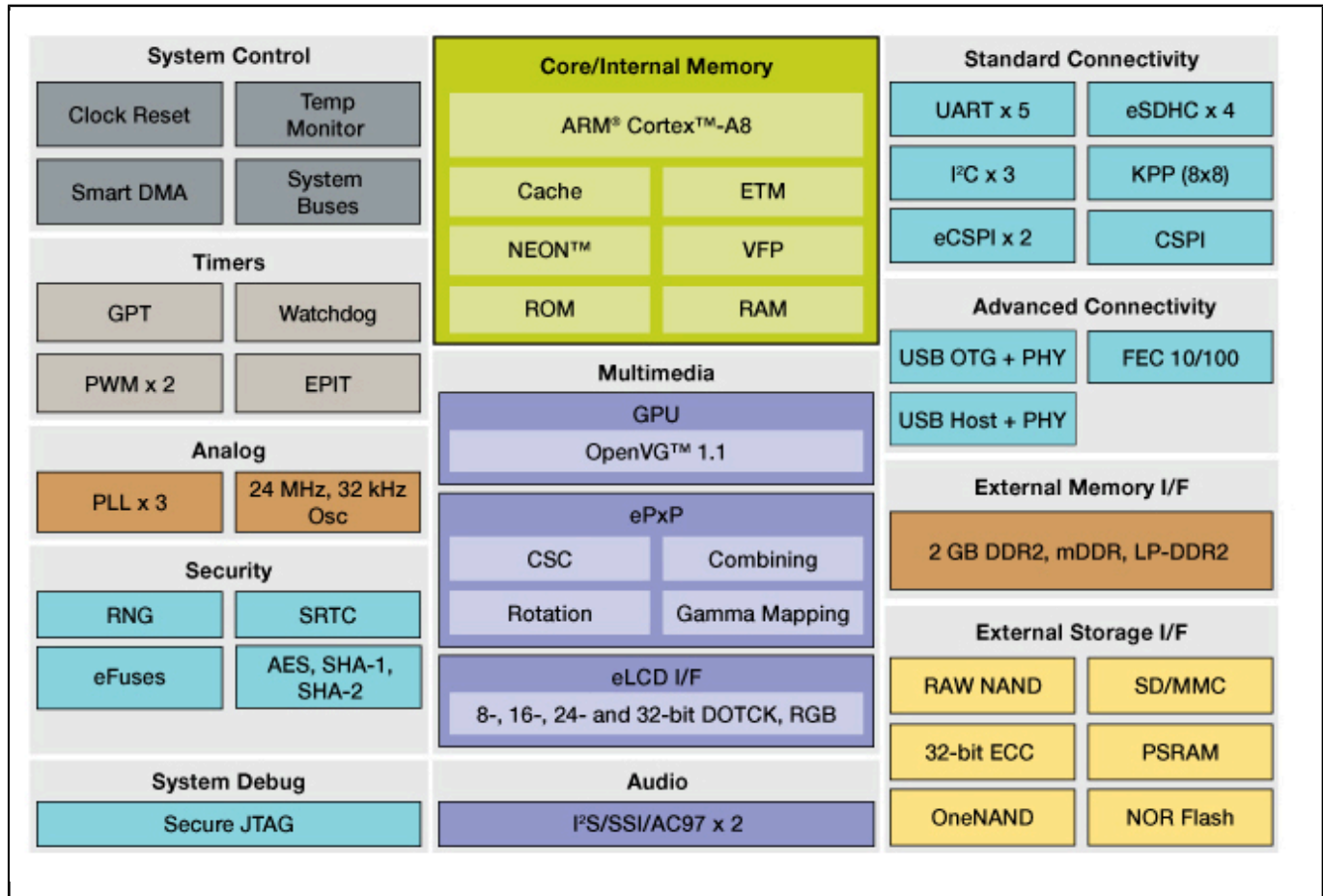
Multimedia Applications Processors - OpenVG™ 2D Graphics Acceleration Core, Sophisticated User Interface, Arm® Cortex®-A8 Core

i.MX503

Last Updated: Jul 31, 2023

Create more sophisticated user interfaces (UIs) with the i.MX503 processor. With all of the features of the i.MX502 processor and the added OpenVG™ 2D graphics acceleration core, the i.MX503 is appropriate for a variety of display-centric applications including portable navigation and home and office automation. The i.MX503 is supported by companion NXP® power management ICs (PMIC) MC34708 and MMPF0100.

i.MX503 Multimedia Applications Processor Block Diagram Block Diagram



View additional information for [Multimedia Applications Processors - OpenVG™ 2D Graphics Acceleration Core, Sophisticated User Interface, Arm® Cortex®-A8 Core](#).

Note: The information on this document is subject to change without notice.

www.nxp.com

NXP and the NXP logo are trademarks of NXP B.V. All other product or service names are the property of their respective owners. The related technology may be protected by any or all of patents, copyrights, designs and trade secrets. All rights reserved. © 2024 NXP B.V.