

AN11867

BGU6101 Low Noise Amplifier for ISM / LTE bands

Rev. 1.0 — December 12, 2016

Application note

Document information

Info	Content
Keywords	BGU6101 Low Noise Amplifier for ISM / LTE bands, 2.4 GHz LNA, 2.4-2.5 GHz ISM, WiFi (WLAN)
Abstract	This document provides circuit schematic, layout, BOM and evaluation board performance for an LNA based on a BGU6101.
Ordering info	BGU6101 starter kit OM17055, 12nc 9340 707 05598
Contact information	For more information, please visit: http://www.nxp.com



Revision history

Rev	Date	Description
1.0	December 12, 2016	First version

Contact information

For additional information, please visit: <http://www.nxp.com>

For sales office addresses, please send an email to: salesaddresses@nxp.com

1. Introduction

The overall intent of this application note is to demonstrate the performance of the BGU6101 in multiple frequency bands.

- 70 - 130 MHz (FM)
- 40 - 1000 MHz (Broadband)
- 169 MHz (ISM)
- 433 MHz (ISM)
- 700 - 930 MHz (ISM / LTE)
- 2.4 - 2.5 GHz (ISM)
- 1.8 - 2.2 GHz (LTE)

In this application note the ISM/LTE band of 700 – 930 MHz and ISM band of 1.8 – 2.2 GHz are addressed. Key requirements for these applications are gain, noise figure, and input/output return loss.

The transistors of the BGU610X family are promoted with a full promotion package, called “starter kits” (one kit type per device type). Those kits include a BGU610X LNA evaluation board (see figure 1), transistors and simulation model parameters required to perform simulations. See the overview of available starter kits in the table below:

Table 1. Customer evaluation kits

	Basic type	Customer Evaluation kits
1	BGU6101	OM17055, starter kit for BGU6101, ISM/LTE 700-930 MHz and ISM 1.8-2.2 GHz
2	BGU6102	OM17056, starter kit for BGU6102, ISM/LTE 700-930 MHz and ISM 1.8-2.2 GHz
3	BGU6104	OM17057, starter kit for BGU6104, ISM/LTE 700-930 MHz and ISM 1.8-2.2 GHz

The BGU610X LNA evaluation board simplifies the evaluation of the BGU6101 application. The evaluation board enables testing of the device performance and requires no additional support circuitry. The board is fully assembled with the BGU6101 MMIC, and the necessary matching and decoupling components for the associated frequency band.

The board is also supplied with two SMA connectors for input and output connection to RF test equipment. A 50 ohm “through line” is provided at the top of the evaluation board in case the user wishes to verify RF connector and grounded coplanar waveguide losses for de-embedding purposes.

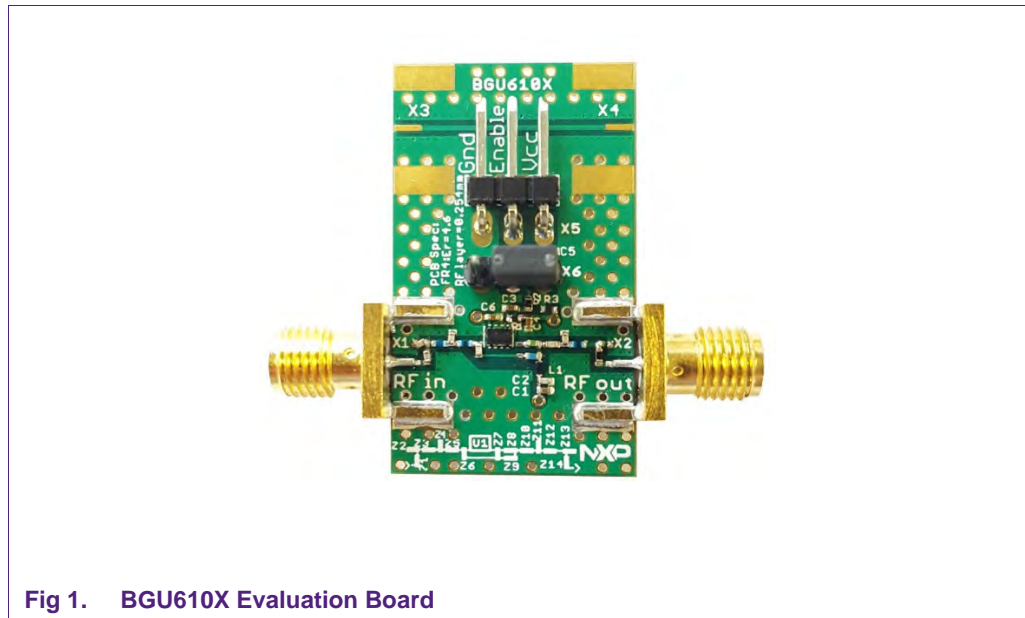


Fig 1. BGU610X Evaluation Board

2. Design and Application

The BGU6101 MMIC is an unmatched wideband MMIC featuring an integrated bias, enable function and wide supply voltage. BGU6101 is part of a family of three products (BGU6101, BGU6102 and BGU6104).

Two applications are evaluated in this application note. One application covers the ISM/LTE band of 700 – 930 MHz and the other covers the ISM band of 1.8 – 2.2 GHz.

Key Benefits:

- Supply voltage range from 1.5 V to 5 V
- Current range up to 10 mA@3 V, 20 mA@5 V
- NF_{min} of 0.8 dB
- Applicable between 40 MHz and 4 GHz
- Integrated temperature-stabilized bias for easy design
- Bias current configurable with external resistor
- Power-down mode current consumption < 6 μ A
- ESD protection on all pins up to 3 kV HBM
- Small 6-pin leadless package 2.0 mm \times 1.3 mm \times 0.35 mm

2.1 Application Circuit Schematic

The PCB is designed to be adaptable for multiple bands. This way, only some components need to be exchanged in order to adjust the board for another frequency band (see figure 2).

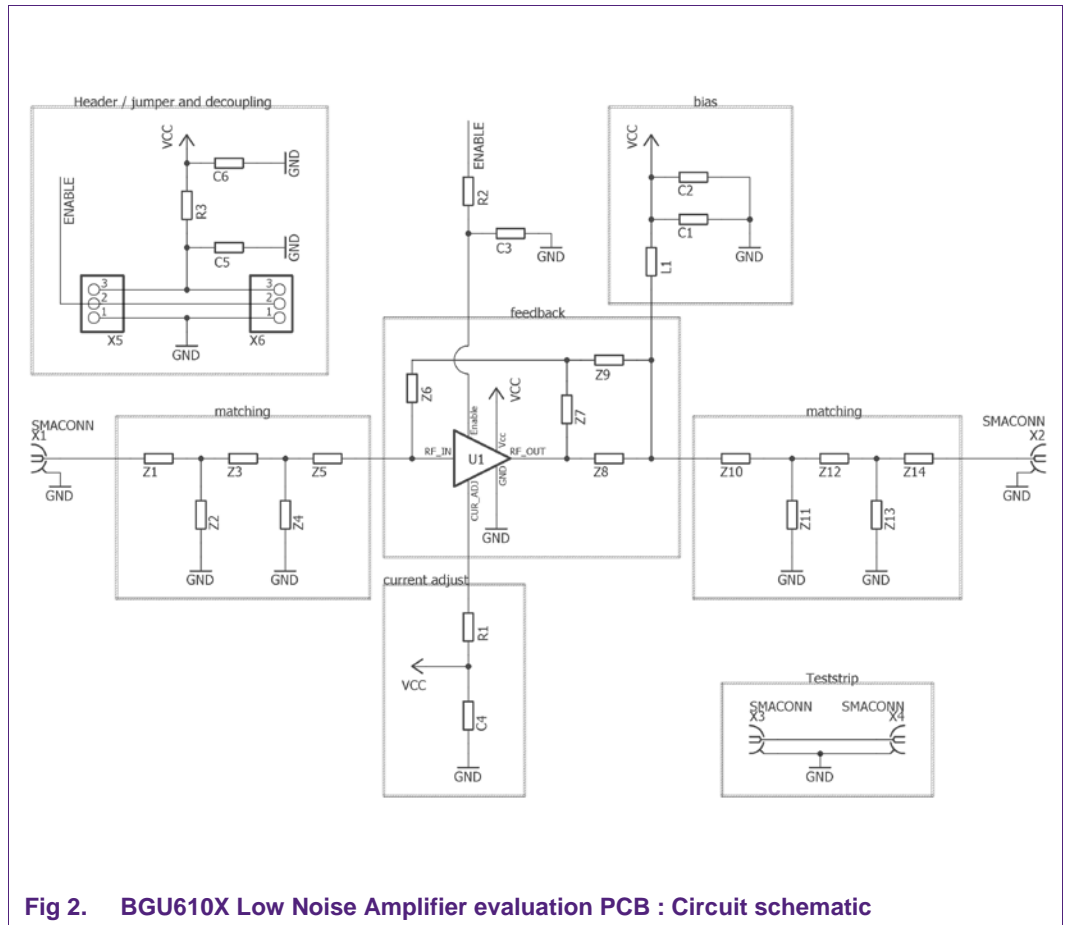


Fig 2. BGU610X Low Noise Amplifier evaluation PCB : Circuit schematic

2.2 Evaluation board Layout

Characteristics of the evaluation board (see figure 3):

- 3 layer PCB
- PCB material FR4 ($\epsilon_r=4.6$)
- 20 x 35 mm
- RF layer thickness 0.254 mm (critical)
- Surface finish ENIG (Electroless Nickel Immersion Gold)
- Soldermask
- SMD components (0402 formfactor)

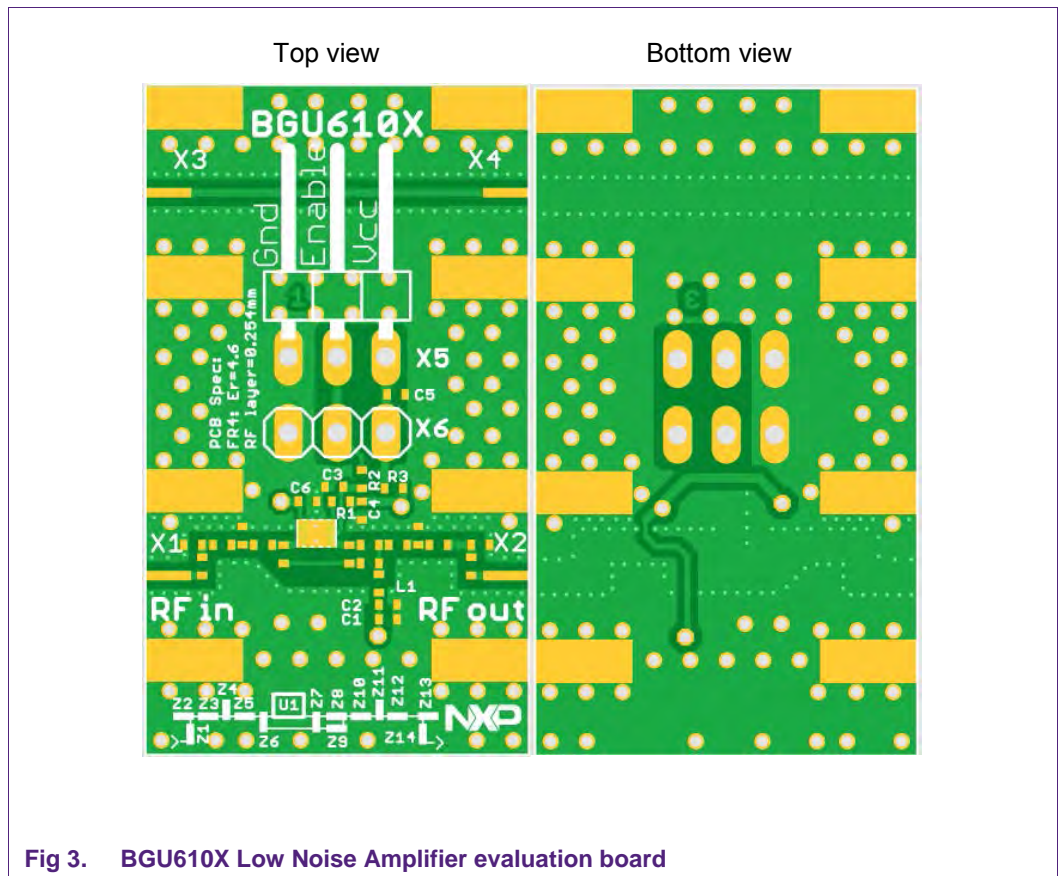
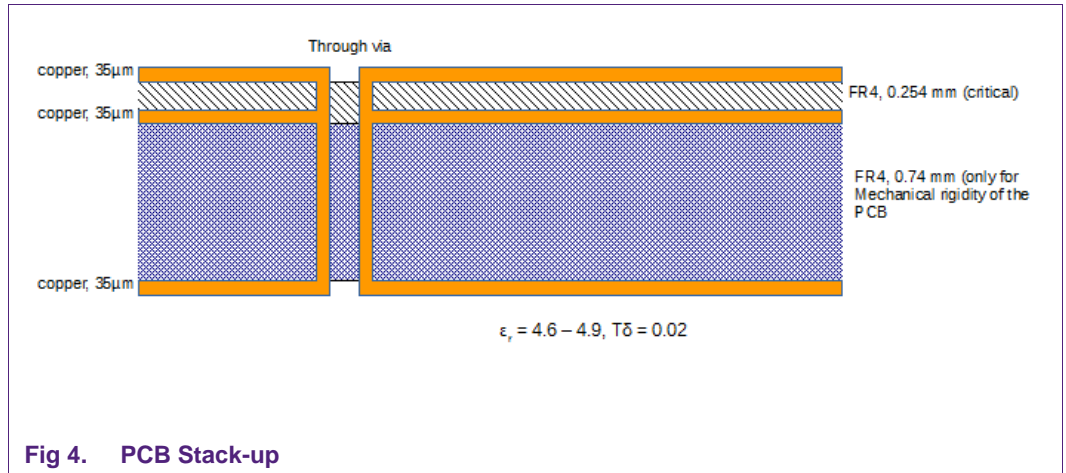


Figure 4 shows the PCB stack-up. The PCB consists of 3 layers, where the first two, RF signal layer and RF ground are between a critical dielectric layer in order to ensure 50 ohm coplanar waveguide transmission lines. Through vias are used to connect the different layers.



2.3 Application board Bill-Of-Material

Table 2. Bill-Of-Material ISM / LTE 700 – 930 MHz

Item	Quantity	Reference	Part Number	Value	Vendor
1	4	Z1,Z6,Z10,C1	GRM1555C1H680GA01D	68pF	Murata
2	2	Z2, Z4	GJM1555C1H3R0WB01D	3.0pF	Murata
3	1	Z11	GJM1555C1HR50BB01D	0.5pF	Murata
4	5	C2,C3,C4,C5,C6	GRM155R71A104KA01D	100nF	Murata
5	1	Z3	LQW15AN6N2C00D	6.2nH	Murata
6	2	Z5,Z12	LQW15AN7N5G00	7.5nH	Murata
7	1	Z8	LQW15AN4N3B00	4.3nH	Murata
8	1	Z13	LQG15HNR10J02	100nH	Murata
9	1	L1	LQW15CNR27J10D	270nH	Murata
10	3	Z14,R2,R3	667-ERJ-2RKF10R0X	10	Panasonic - ECG
11	1	Z9	667-ERJ-2RKF1101X	1.1k	Panasonic - ECG
12	1	R1	667-ERJ-2RKF6801X	6.8k	Panasonic - ECG
13	1	U1	BGU6101	-	NXP
14	2	X1,X2	142-0701-841	SMA	Cinch Connectivity
15	1	X5	538-22-28-8030	header	Molex
16	1	X6	538-22-28-4030	header	Molex

Note: Customer can choose their preferred vendor but should be aware that the performance could be affected.

Table 3. Bill-Of-Material LTE 1.8 – 2.2 GHz

Item	Quantity	Reference	Part Number	Value	Vendor
1	4	Z1,Z6,Z14,C1	GRM1555C1H150JA01D	15pF	Murata
2	1	Z2	GJM1555C1H1R9WB01D	1.9pF	Murata
3	1	Z4	GJM1555C1H1R8WB01D	1.8pF	Murata
4	1	Z11	GJM1555C1HR70WB01D	0.7pF	Murata
5	5	C2,C3,C4,C5,C6	GRM155R71A104KA01D	100nF	Murata
6	1	Z3	LQW15AN2N7C00D	2.7nH	Murata
7	1	Z8	LQW15AN6N2B00D	6.2nH	Murata
8	1	Z12	LQW15AN2N2C10D	2.2nH	Murata
9	1	L1	LQW15CNR27J10D	270nH	Murata
10	1	Z5	ERJ-2GE0R00X	0	Panasonic - ECG
11	1	Z9	ERJ-2RKF5600X	560	Panasonic - ECG
12	1	Z10	ERJ-2RKF24R0X	24	Panasonic - ECG
13	1	R1	667-ERJ-2RKF6801X	6.8k	Panasonic - ECG
14	2	R2,R3	667-ERJ-2RKF10R0X	10	Panasonic - ECG
15	1	U1	BGU6101	-	NXP
16	2	X1,X2	142-0701-841	SMA	Cinch Connectivity
17	1	X5	538-22-28-8030	header	Molex
18	1	X6	538-22-28-4030	Header	Molex

Note: Customer can choose their preferred vendor but should be aware that the performance could be affected.

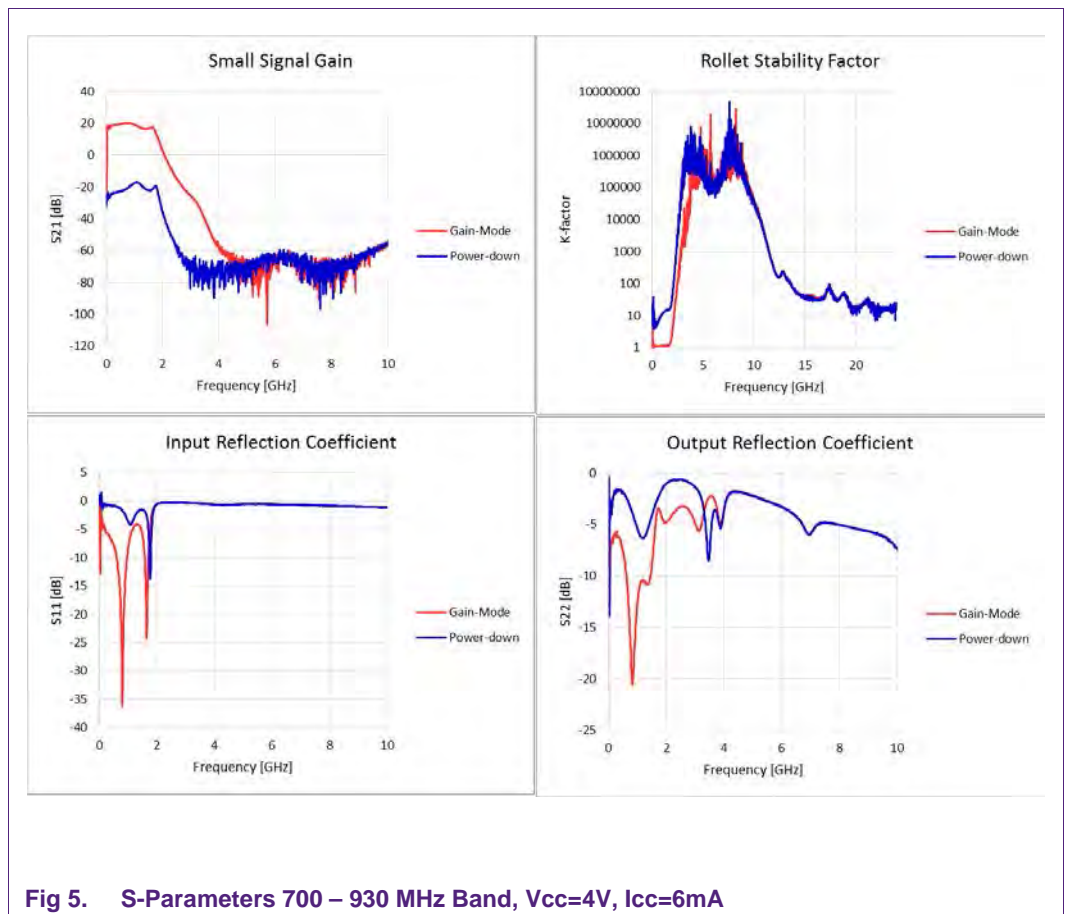
3. Measurement results ISM / LTE 700 – 930 MHz

This section presents the results of the BGU6101 Low Noise Amplifier. Unless otherwise noted, all measurement references are at the SMA connectors on the evaluation board and are performed at an ambient temperature of 25 degrees Celsius. The circuit is biased with $V_{cc}=4V$, $I_{cc}=6\text{ mA}$.

Next measurements are performed:

- S-parameters
- Noise figure
- RF-power characteristics
- Stability
- On/Off switching (Power-down)

3.1 S-Parameters



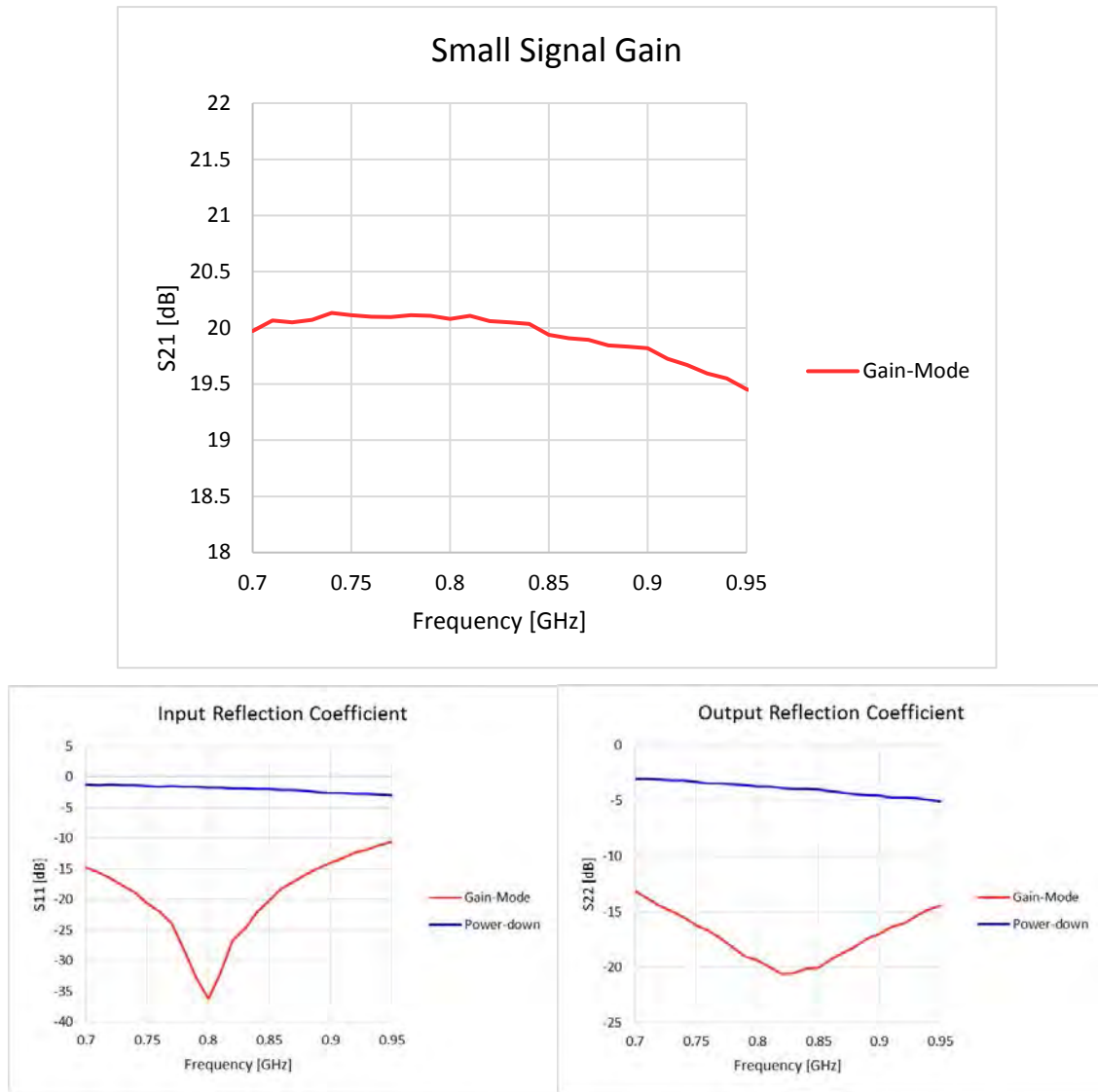
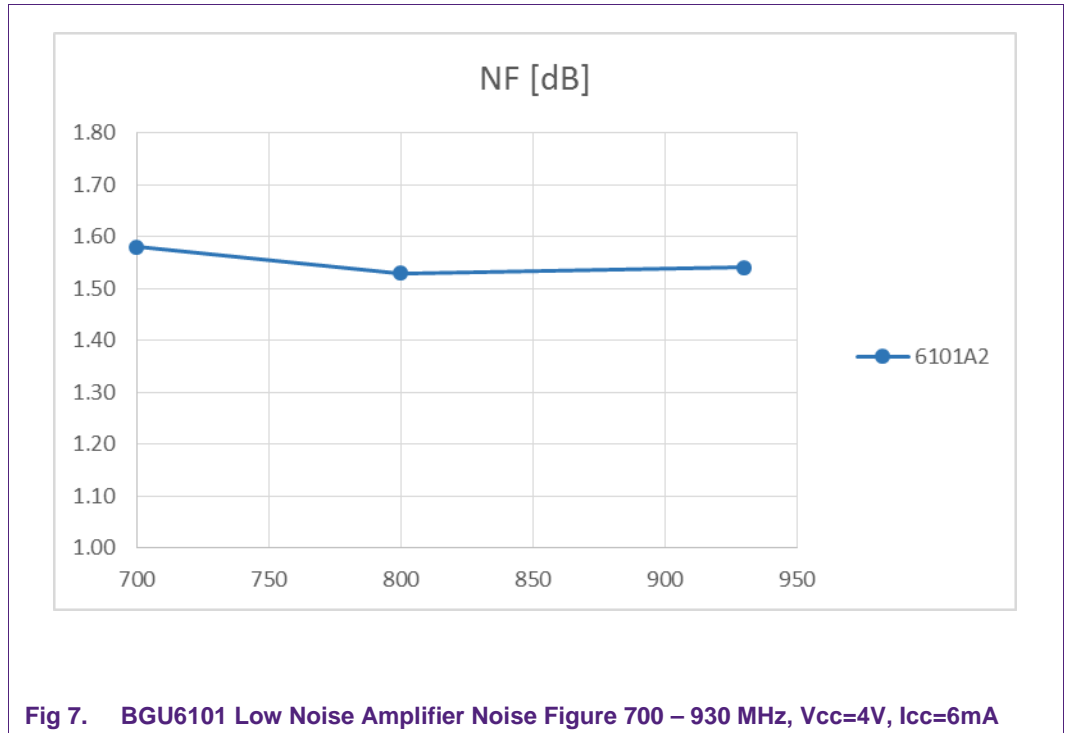


Fig 6. BGU6101 S-Parameters (typical values). Gain mode and Power-down mode (Frequency range zoomed in), Vcc=4V, Icc=6mA

3.2 Noise figure

The noise figure is physically measured at the SMA connectors of the evaluation board.



3.3 RF-power characteristics

Next paragraphs contains the linearity related characteristics of the BGU6101. The circuit is biased with $V_{cc}=4V$, $I_{cc}=6mA$.

3.3.1 P1dB

Frequency [MHz]	iP1dB [dBm]	oIP1dB [dBm]
700	--19.0	-0.2
800	-19.0	0.0
930	-18.4	0.2

3.3.2 IP3

The output-referred IP3 level for the BGU6101 is measured at -30dBm per tone with a frequency spacing of 1MHz at 700, 800 and 930MHz.

Frequency [MHz]	iIP3 [dBm]	oIP3 [dBm]
700	-9.9	10.0
800	-9.0	11.0
930	-7.6	12.0

3.4 Stability

The stability factor K is calculated from the measured S-parameters. To check for instabilities out of band, the S-parameters are measured over an extended frequency range.

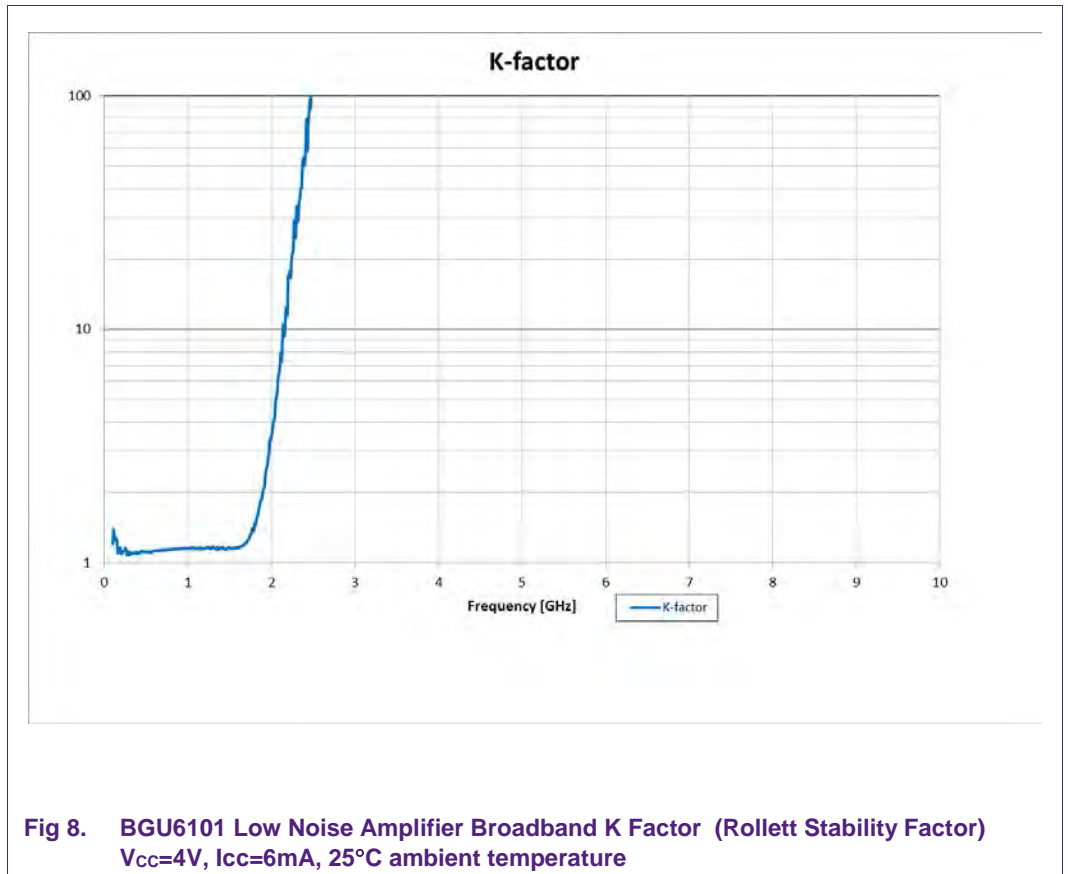


Fig 8. BGU6101 Low Noise Amplifier Broadband K Factor (Rollett Stability Factor)
 $V_{CC}=4V$, $I_{CC}=6mA$, $25^{\circ}C$ ambient temperature

3.5 LNA Turn ON-OFF Time

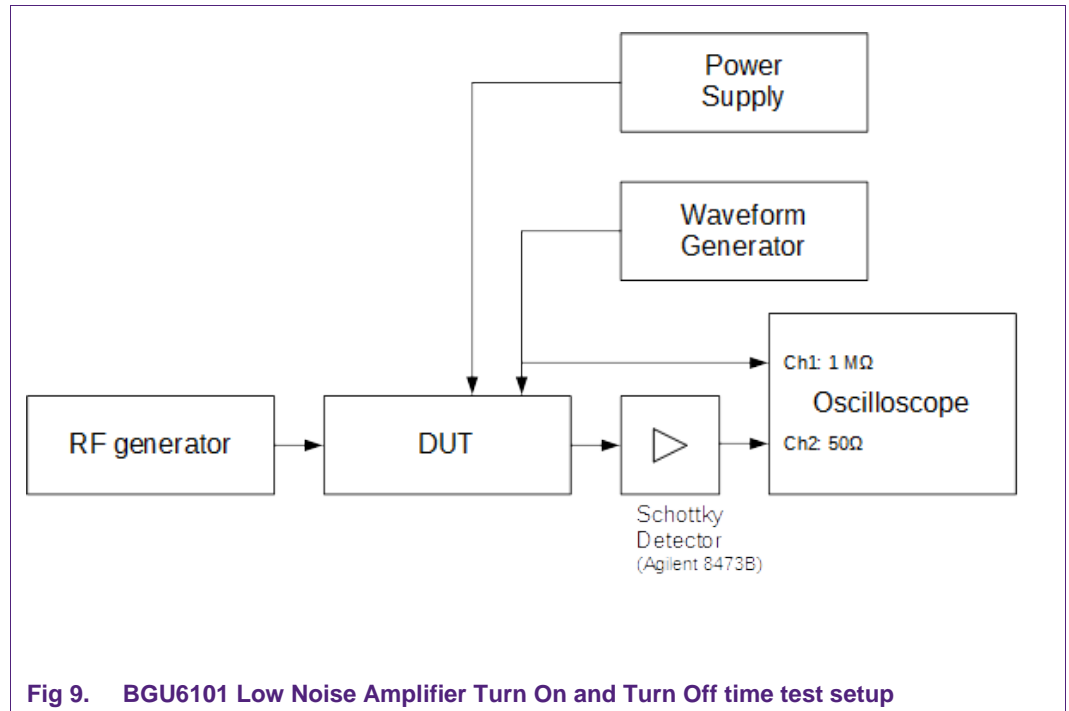
The evaluation board contains an RC low pass filter at the enable signal. This RC circuit introduces an extended on-off time and masks the on-off time of the device itself.

On-time = 1.3 us, Off-time = 4.5 us.

Conditions:

- trigger signal 0-4V 50% duty cycle, 200 Hz
- trigger level @ 50%
- input CW -20 dBm@900 MHz

The following diagram shows the setup to test LNA Turn ON and Turn OFF time.



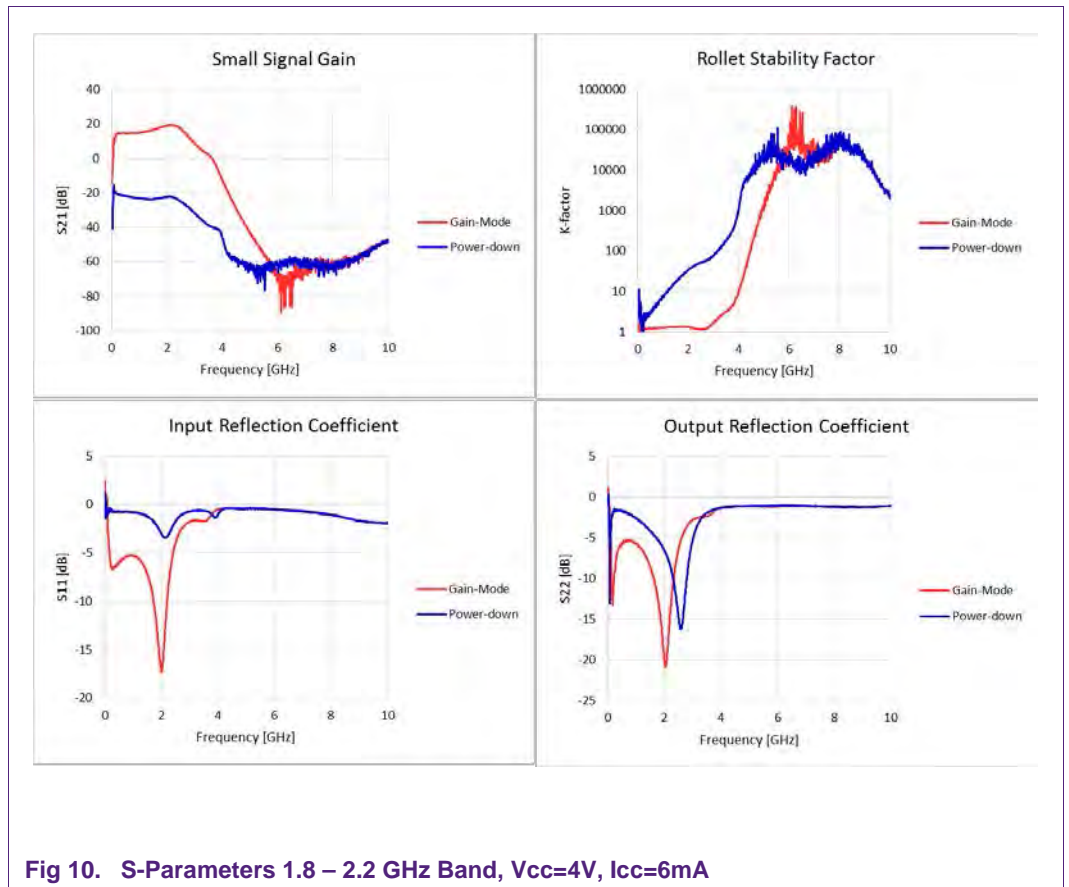
4. Measurement results LTE 1.8 – 2.2 GHz

This section presents the results of the BGU6101 Low Noise Amplifier for the LTE 1.8 – 2.2 GHz. Unless otherwise noted, all measurement references are at the SMA connectors on the evaluation board and are performed at an ambient temperature of 25 degrees Celsius. The circuit is biased with $V_{cc}=4V$, $I_{cc}=6mA$.

Next measurements are performed:

- S-parameters
- Noise figure
- RF-power characteristics
- Stability
- On/Off switching

4.1 S-Parameters



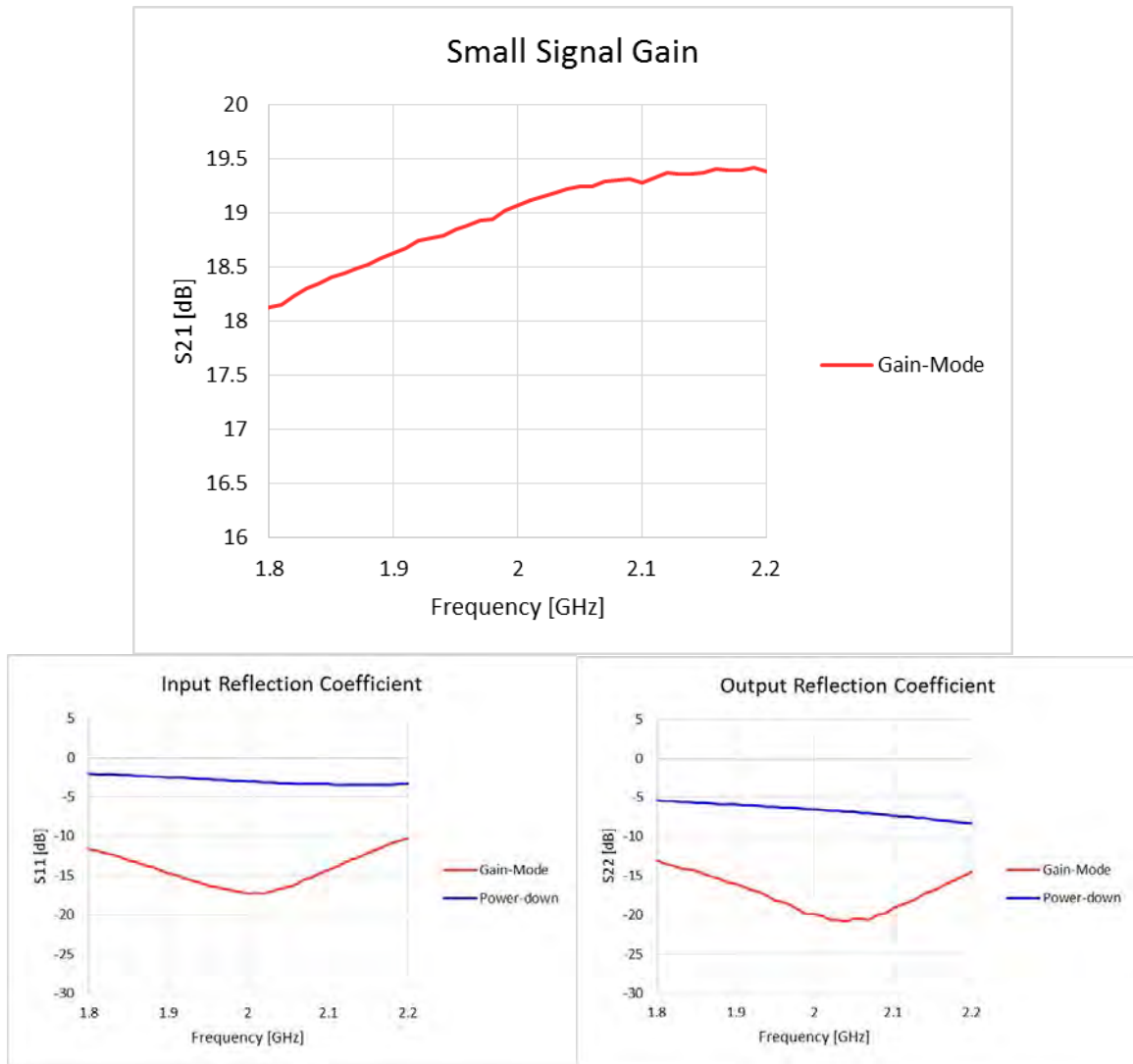
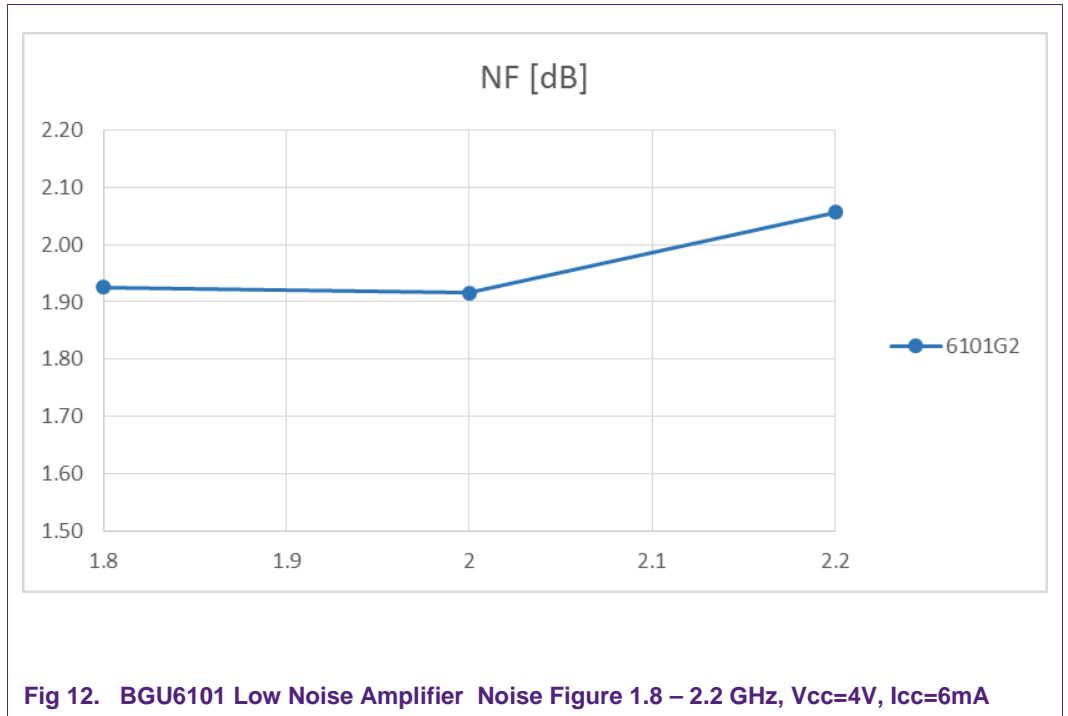


Fig 11. BGU6101 S-Parameters (typical values). Gain mode and Power-down mode (Frequency range zoomed in), Vcc=4V, Icc=6mA

4.2 Noise figure

The noise figure is physically measured at the SMA connectors of the evaluation board.



4.3 RF-power characteristics

Next paragraphs contains the linearity related characteristics of the BGU6101. The circuit is biased with $V_{cc}=4V$, $I_{cc}=6mA$.

4.3.1 P1dB

Frequency [GHz]	iP1dB [dBm]	oIP1dB [dBm]
1.8	-20.5	-3.4
2.0	-21.0	-2.9
2.2	-20.0	-1.7

4.3.2 IP3

The output-referred IP3 level for the BGU6101 is measured at -30dBm per tone with a frequency spacing of 1MHz at 1.8, 2.0 and 2.2GHz.

Frequency [GHz]	iIP3 [dBm]	oIP3 [dBm]
1.8	-12.0	6.1
2.0	-12.9	6.2
2.2	-12.5	6.9

4.4 Stability

The stability factor K is calculated from the measured S-parameters. To check for out of band instabilities, the S-parameters are measured over an extended frequency range.

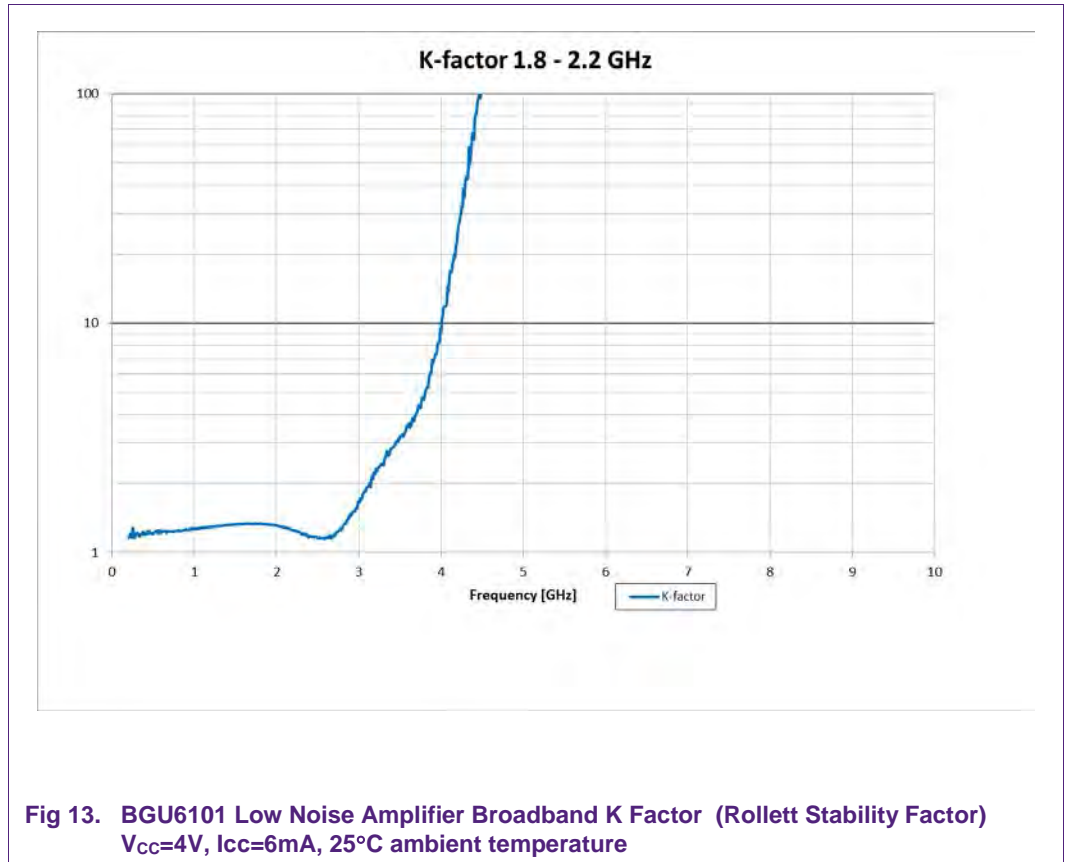


Fig 13. BGU6101 Low Noise Amplifier Broadband K Factor (Rollett Stability Factor)
 $V_{CC}=4V$, $I_{CC}=6mA$, $25^{\circ}C$ ambient temperature

4.5 LNA Turn ON-OFF Time

See paragraph 3.5 for the LNA turn ON-OFF time due to circuit similarity.

5. Summary measurement results ISM / LTE 700 – 930 MHz

Table 4. Results measured on the BGU610X Low Noise Amplifier Evaluation Board for ISM / LTE 700 – 930 MHz

Tamb = 25 °C; Ven = 4 V; Icc(tot) = 6 mA

Parameter		Symbol	Value	Unit
Supply Voltage		Vcc	4	V
Supply Current		Icc	6	mA
Noise Figure ^[1]	@ 700 MHz	NF	1.58	dB
	@ 930 MHz	NF	1.54	dB
Power Gain	@ 700 MHz	Gp	20.0	dB
	@ 930 MHz	Gp	19.6	dB
Input Return Loss	@ 700 MHz	IRL	14.8	dB
	@ 930 MHz	IRL	11.9	dB
Output Return Loss	@ 700 MHz	ORL	13.2	dB
	@ 930 MHz	ORL	14.5	dB
Reverse Isolation	@ 700 MHz	ISLrev	25.1	dB
	@ 930 MHz	ISLrev	25.2	dB
Input 1dB Gain Compression Point	@ 800 MHz	iP1dB	-19.0	dBm
Output 1dB Gain Compression Point	@ 800 MHz	oP1dB	0.0	dBm
Input Third Order Intercept Point ^[2]	@ 800 MHz	iIP3	-9.0	dBm
Output Third Order Intercept Point ^[2]	@ 800 MHz	oIP3	11.0	dBm
Stability (100 MHz - 10 GHz)		K	>1	
LNA Turn ON/OFF Time		Ton	1.3	µs
		Toff	4.5	µs

[1] PCB and connector losses excluded.

[2] The third order intercept point is measured at -30 dBm per tone at RF_IN (f₁ = 800 MHz; f₂ = 801 MHz)

6. Summary measurement results LTE 1.8 – 2.2 GHz

Table 5. Results measured on the BGU610X Low Noise Amplifier Evaluation Board for LTE 1.8 – 2.2 GHz

Tamb = 25 °C; Ven = 4 V; Icc(tot) = 6 mA

Parameter		Symbol	Value	Unit
Supply Voltage		Vcc	4	V
Supply Current		Icc	6	mA
Noise Figure ^[3]	@ 1.8 GHz	NF	1.93	dB
	@ 2.2 GHz	NF	2.06	dB
Power Gain	@ 1.8 GHz	Gp	18.1	dB
	@ 2.2 GHz	Gp	19.4	dB
Input Return Loss	@ 1.8 GHz	IRL	11.6	dB
	@ 2.2 GHz	IRL	10.3	dB
Output Return Loss	@ 1.8 GHz	ORL	13.0	dB
	@ 2.2 GHz	ORL	14.5	dB
Reverse Isolation	@ 1.8 GHz	ISLrev	24.8	dB
	@ 2.2 GHz	ISLrev	25.2	dB
Input 1dB Gain Compression Point	@ 2.0 GHz	iP1dB	-21.0	dBm
Output 1dB Gain Compression Point	@ 2.0 GHz	oP1dB	-2.9	dBm
Input Third Order Intercept Point ^[4]	@ 2.0 GHz	iIP3	-12.9	dBm
Output Third Order Intercept Point ^[4]	@ 2.0 GHz	oIP3	6.2	dBm
Stability (100 MHz - 10 GHz)		K	>1	
LNA Turn ON/OFF Time		Ton	1.3	µs
		Toff	4.5	µs

[3] PCB and connector losses excluded.

[4] The third order intercept point is measured at -30 dBm per tone at RF_IN (f₁ = 2.000 GHz; f₂ = 2.001 GHz)

7. Application recommendations

The BGU6101 can be used for other application than the applications mentioned in this application note. Only the matching components need to be changed (see schematic diagram of figure 2). The biasing components can be changed to improve the linearity performance.

8. Legal information

8.1 Definitions

Draft — The document is a draft version only. The content is still under internal review and subject to formal approval, which may result in modifications or additions. NXP Semiconductors does not give any representations or warranties as to the accuracy or completeness of information included herein and shall have no liability for the consequences of use of such information.

8.2 Disclaimers

Limited warranty and liability — Information in this document is believed to be accurate and reliable. However, NXP Semiconductors does not give any representations or warranties, expressed or implied, as to the accuracy or completeness of such information and shall have no liability for the consequences of use of such information.

In no event shall NXP Semiconductors be liable for any indirect, incidental, punitive, special or consequential damages (including - without limitation - lost profits, lost savings, business interruption, costs related to the removal or replacement of any products or rework charges) whether or not such damages are based on tort (including negligence), warranty, breach of contract or any other legal theory.

Notwithstanding any damages that customer might incur for any reason whatsoever, NXP Semiconductors' aggregate and cumulative liability towards customer for the products described herein shall be limited in accordance with the Terms and conditions of commercial sale of NXP Semiconductors.

Right to make changes — NXP Semiconductors reserves the right to make changes to information published in this document, including without limitation specifications and product descriptions, at any time and without notice. This document supersedes and replaces all information supplied prior to the publication hereof.

Suitability for use — NXP Semiconductors products are not designed, authorized or warranted to be suitable for use in life support, life-critical or safety-critical systems or equipment, nor in applications where failure or malfunction of an NXP Semiconductors product can reasonably be expected to result in personal injury, death or severe property or environmental damage. NXP Semiconductors accepts no liability for inclusion and/or use of NXP Semiconductors products in such equipment or applications and therefore such inclusion and/or use is at the customer's own risk.

Applications — Applications that are described herein for any of these products are for illustrative purposes only. NXP Semiconductors makes no representation or warranty that such applications will be suitable for the specified use without further testing or modification.

Customers are responsible for the design and operation of their applications and products using NXP Semiconductors products, and NXP Semiconductors accepts no liability for any assistance with applications or customer product design. It is customer's sole responsibility to determine whether the NXP Semiconductors product is suitable and fit for the customer's applications and products planned, as well as for the planned application and use of customer's third party customer(s). Customers should provide appropriate design and operating safeguards to minimize the risks associated with their applications and products.

NXP Semiconductors does not accept any liability related to any default, damage, costs or problem which is based on any weakness or default in the

customer's applications or products, or the application or use by customer's third party customer(s). Customer is responsible for doing all necessary testing for the customer's applications and products using NXP Semiconductors products in order to avoid a default of the applications and the products or of the application or use by customer's third party customer(s). NXP does not accept any liability in this respect.

Export control — This document as well as the item(s) described herein may be subject to export control regulations. Export might require a prior authorization from national authorities.

Evaluation products — This product is provided on an "as is" and "with all faults" basis for evaluation purposes only. NXP Semiconductors, its affiliates and their suppliers expressly disclaim all warranties, whether express, implied or statutory, including but not limited to the implied warranties of non-infringement, merchantability and fitness for a particular purpose. The entire risk as to the quality, or arising out of the use or performance, of this product remains with customer.

In no event shall NXP Semiconductors, its affiliates or their suppliers be liable to customer for any special, indirect, consequential, punitive or incidental damages (including without limitation damages for loss of business, business interruption, loss of use, loss of data or information, and the like) arising out the use of or inability to use the product, whether or not based on tort (including negligence), strict liability, breach of contract, breach of warranty or any other theory, even if advised of the possibility of such damages.

Notwithstanding any damages that customer might incur for any reason whatsoever (including without limitation, all damages referenced above and all direct or general damages), the entire liability of NXP Semiconductors, its affiliates and their suppliers and customer's exclusive remedy for all of the foregoing shall be limited to actual damages incurred by customer based on reasonable reliance up to the greater of the amount actually paid by customer for the product or five dollars (US\$5.00). The foregoing limitations, exclusions and disclaimers shall apply to the maximum extent permitted by applicable law, even if any remedy fails of its essential purpose.

8.3 Licenses

Purchase of NXP <xxx> components

<License statement text>

8.4 Patents

Notice is herewith given that the subject device uses one or more of the following patents and that each of these patents may have corresponding patents in other jurisdictions.

<Patent ID> — owned by <Company name>

8.5 Trademarks

Notice: All referenced brands, product names, service names and trademarks are property of their respective owners.

<Name> — is a trademark of NXP B.V.

9. List of figures

Fig 1.	BGU610X Evaluation Board.....	4
Fig 2.	BGU610X Low Noise Amplifier evaluation PCB : Circuit schematic.....	6
Fig 3.	BGU610X Low Noise Amplifier evaluation board	7
Fig 4.	PCB Stack-up	8
Fig 5.	S-Parameters 700 – 930 MHz Band, $V_{CC}=4V$, $I_{CC}=6mA$	11
Fig 6.	BGU6101 S-Parameters (typical values). Gain mode and Power-down mode (Frequency range zoomed in), $V_{CC}=4V$, $I_{CC}=6mA$	12
Fig 7.	BGU6101 Low Noise Amplifier Noise Figure 700 – 930 MHz, $V_{CC}=4V$, $I_{CC}=6mA$	13
Fig 8.	BGU6101 Low Noise Amplifier Broadband K Factor (Rollett Stability Factor) $V_{CC}=4V$, $I_{CC}=6mA$, 25°C ambient temperature.....	15
Fig 9.	BGU6101 Low Noise Amplifier Turn On and Turn Off time test setup	16
Fig 10.	S-Parameters 1.8 – 2.2 GHz Band, $V_{CC}=4V$, $I_{CC}=6mA$	17
Fig 11.	BGU6101 S-Parameters (typical values). Gain mode and Power-down mode (Frequency range zoomed in), $V_{CC}=4V$, $I_{CC}=6mA$	18
Fig 12.	BGU6101 Low Noise Amplifier Noise Figure 1.8 – 2.2 GHz, $V_{CC}=4V$, $I_{CC}=6mA$	19
Fig 13.	BGU6101 Low Noise Amplifier Broadband K Factor (Rollett Stability Factor) $V_{CC}=4V$, $I_{CC}=6mA$, 25°C ambient temperature.....	21

10. List of tables

Table 1. Customer evaluation kits.....3
Table 2. Bill-Of-Material ISM / LTE 700 – 930 MHz9
Table 3. Bill-Of-Material LTE 1.8 – 2.2 GHz..... 10
Table 4. Results measured on the BGU610X Low Noise Amplifier Evaluation Board for ISM / LTE 700 – 930 MHz.....22
Table 5. Results measured on the BGU610X Low Noise Amplifier Evaluation Board for LTE 1.8 – 2.2 GHz.....23

11. Contents

1.	Introduction	3	10.	List of tables	27
2.	Design and Application.....	5	11.	Contents	28
2.1	Application Circuit Schematic.....	6			
2.2	Evaluation board Layout	7			
2.3	Application board Bill-Of-Material.....	9			
3.	Measurement results ISM / LTE 700 – 930 MHz	11			
3.1	S-Parameters	11			
3.2	Noise figure	13			
3.3	RF-power characteristics.....	14			
3.3.1	P1dB	14			
3.3.2	IP3.....	14			
3.4	Stability	15			
3.5	LNA Turn ON-OFF Time	16			
4.	Measurement results LTE 1.8 – 2.2 GHz.....	17			
4.1	S-Parameters	17			
4.2	Noise figure	19			
4.3	RF-power characteristics.....	20			
4.3.1	P1dB	20			
4.3.2	IP3.....	20			
4.4	Stability	21			
4.5	LNA Turn ON-OFF Time	21			
5.	Summary measurement results ISM / LTE 700 – 930 MHz.....	22			
6.	Summary measurement results LTE 1.8 – 2.2 GHz	23			
7.	Application recommendations	24			
8.	Legal information	25			
8.1	Definitions	25			
8.2	Disclaimers.....	25			
8.3	Licenses	25			
8.4	Patents.....	25			
8.5	Trademarks.....	25			
9.	List of figures.....	26			

Please be aware that important notices concerning this document and the product(s) described herein, have been included in the section 'Legal information'.
