

AN11915

BGU8309 [GPS1401M] tuned for GNSS L2-band evaluation board

Rev. 1 — 17 July 2017

Application note

Document information

Info	Content
Keywords	BGU8309, GPS1401M, GNSS, LNA, L2-band.
Abstract	This document explains the BGU8309 [GPS1401M] LNA evaluation board tuned for the GNSS L2-band.
Ordering info	EVBs available on request.
Contact information	For more information, please visit: http://www.nxp.com



Revision history

Rev	Date	Description
1	20170717	First publication

Contact information

For more information, please visit: <http://www.nxp.com>

For sales office addresses, please send an email to: salesaddresses@nxp.com

1. Introduction

NXP Semiconductors BGU8309, also called GPS1401M, Global Navigation Satellite System (GNSS) LNA Evaluation Board (see Fig 1) is designed to evaluate the performance of the GNSS LNA using:

- NXP Semiconductors GPS1401M GNSS Low Noise Amplifier
- Matching inductor at the input
- A decoupling capacitor at the power supply connection

NXP Semiconductors GPS1401M is a low-noise amplifier for GNSS receiver applications in a plastic, leadless 6 pin, extremely thin small outline SOT1226-2 at 0.8 x 0.8 x 0.35mm. The GPS1401M features gain of 17 dB and a noise figure of 0.65 dB at a current consumption of 3.6 mA. Its superior linearity performance removes interference and noise from co-habitation cellular transmitters, while retaining sensitivity. The LNA components occupy a total area of approximately 2.3 mm².

The GPS1401M used on this evaluation board is originally designed to use as a GNSS L1-band LNA. It contains internally matched circuitry for this frequency band (1559 MHz to 1610 MHz) whereas only one series inductor at the input is needed to achieve the best RF performance.

By increasing the value of the input matching coil, the operating frequency range can be tuned to the GNSS L2-band (1215 MHz to 1254 MHz).

In this document, the application diagram, board layout, bill of materials, and typical results are given.

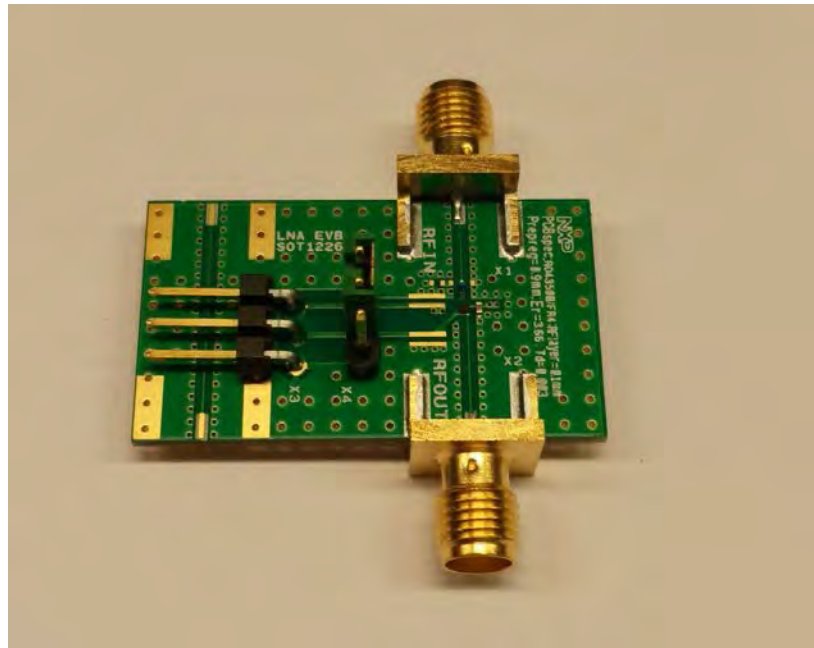


Fig 1. GPS1401M GNSS L2-band LNA evaluation board

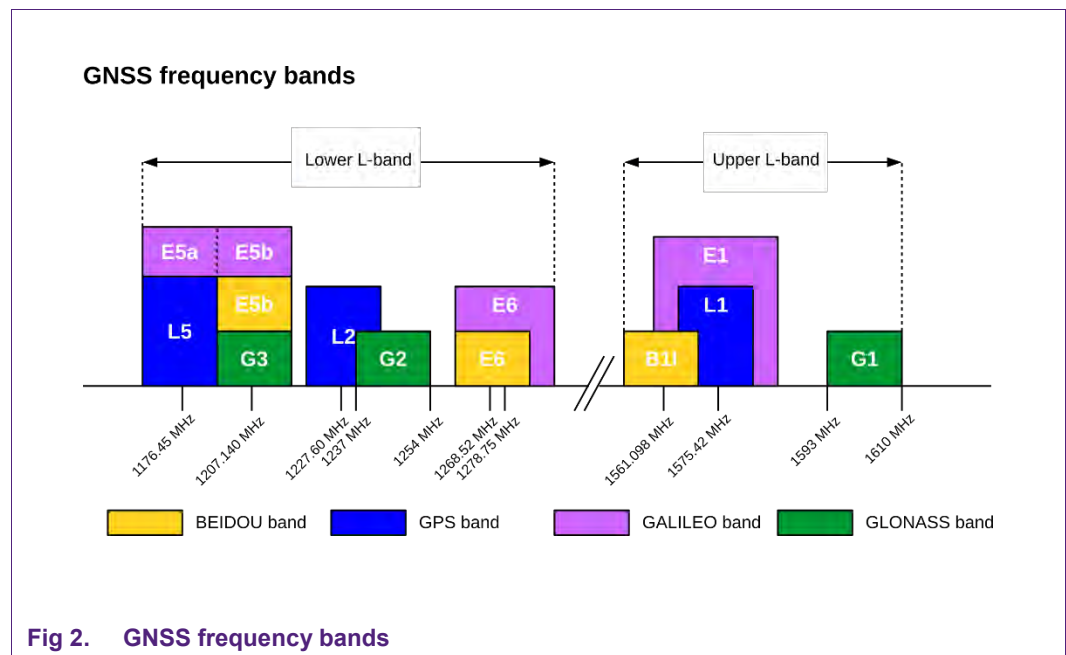
2. General description

Modern cellular phones have multiple radio systems, so problems like co-habitation are quite common. A GNSS receiver implemented in a mobile phone requires the following factors to be taken into account.

All the different transmit signals that are active in smart phones and tablets can cause problems like inter-modulation and compression.

Since the GNSS receiver needs to receive signals with an average power level of -130 dBm, sensitivity is very important. Currently there are several GNSS chipsets on the market that can be implemented in cell phones, tablets etc. Although many of these GNSS ICs do have integrated LNA front ends, the noise performance, and as a result the system sensitivity, is not always adequate. The GNSS receiver sensitivity is a measure how accurate the coordinates are calculated. The GNSS signal reception can be improved by a so called GNSS LNA, which improves the sensitivity by amplifying the wanted GNSS signal with a low-noise amplifier.

Next picture (Fig 2) depicts a part of the frequency spectrum that is occupied by the different GNSS frequency bands.



3. GPS1401M GNSS L2-band LNA evaluation board

The GPS1401M LNA evaluation board simplifies the RF evaluation of the GPS1401M GNSS LNA applied in a GNSS front-end, often used in mobile cell phones. The evaluation board enables testing of the device RF performance and requires no additional support circuitry. The board is fully assembled with the GPS1401M including the input parallel capacitor and series inductor, output parallel inductor and decoupling capacitor. The board is supplied with two SMA connectors (50 ohms) for input and output connection to RF test equipment. The GPS1401M can operate from a 1.5 V to 3.1 V single supply and consumes typical 3.6 mA.

3.1 Application Circuit

The circuit diagram of the evaluation board is shown in Fig 3. With jumper JU1 the enable input can be connected either to V_{cc} or GND.

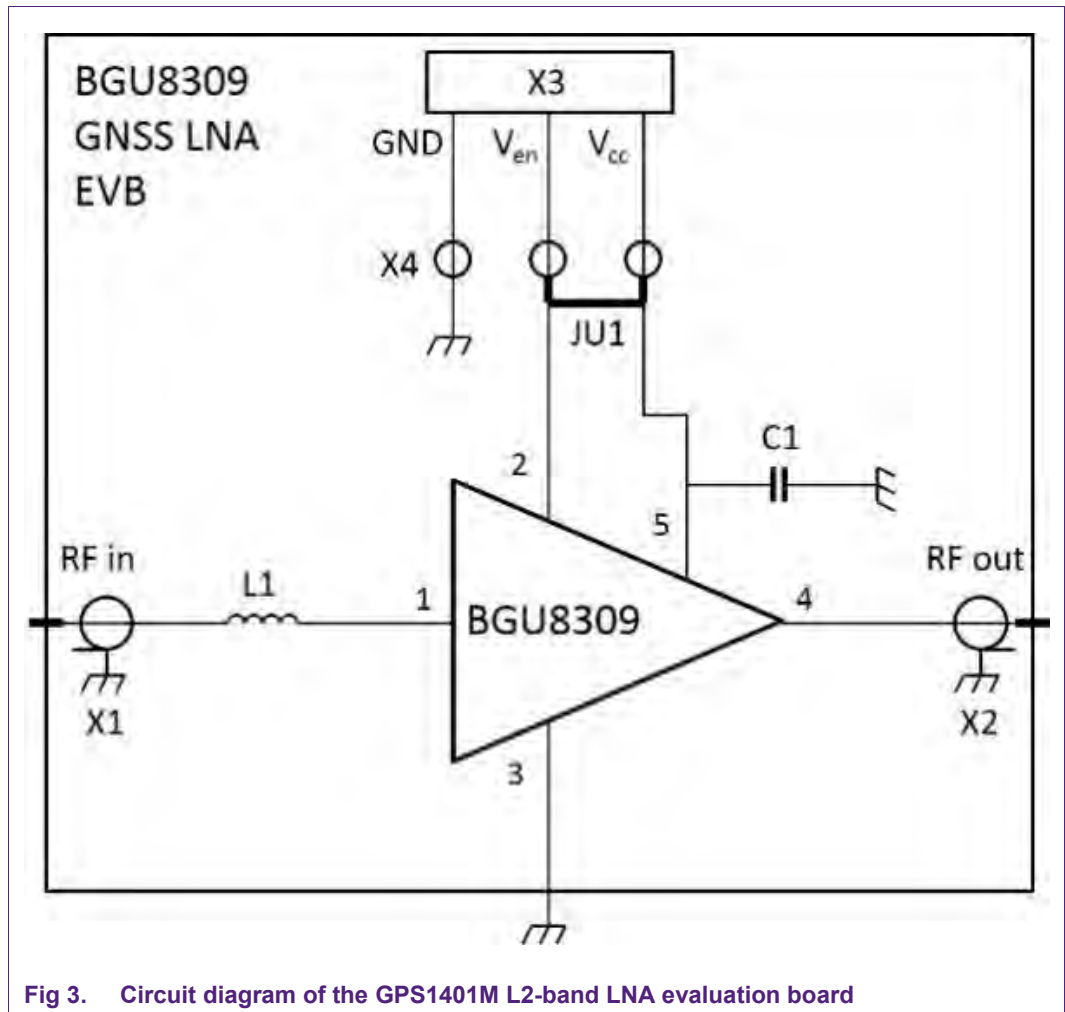


Fig 3. Circuit diagram of the GPS1401M L2-band LNA evaluation board

3.2 PCB Layout

A good PCB layout is an essential part of an RF circuit design. The LNA evaluation board of the GPS1401M can serve as a guideline for laying out a board using the GPS1401M (see Fig 4). Use controlled impedance lines for all high frequency inputs and outputs. Bypass Vcc with decoupling capacitors, preferably located as close as possible to the device. For long bias lines it may be necessary to add decoupling capacitors along the line further away from the device. Proper grounding of the GND pins is also essential for good RF performance. Either connect the GND pins directly to the ground plane or through vias, or do both, which is recommended.

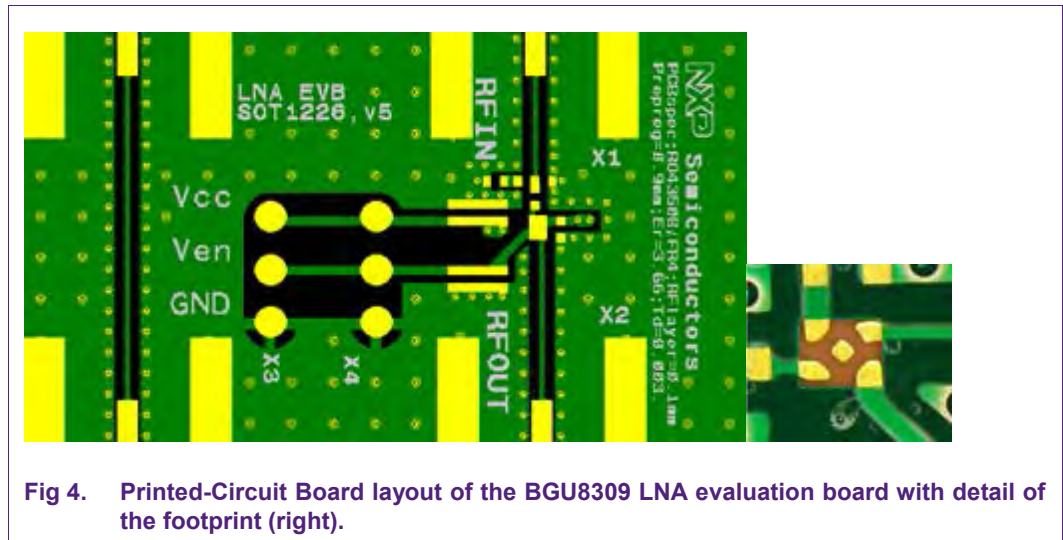


Fig 4. Printed-Circuit Board layout of the BGU8309 LNA evaluation board with detail of the footprint (right).

The material that has been used for the evaluation board is FR4 using the stack shown in Fig 5.

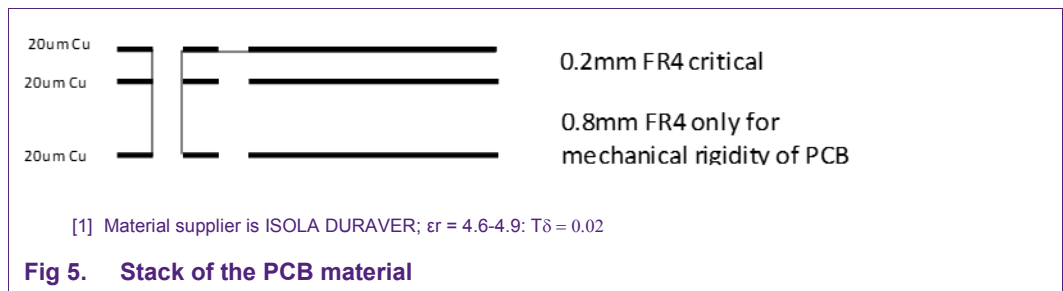


Fig 5. Stack of the PCB material

3.3 Bill of materials

Table 1. BOM of the GPS1401M L2 band GNSS LNA evaluation board

Designator	Description	Footprint	Value	Supplier Name/type	Comment
A	GPS1401M	0.8 x 0.8 x 0.35mm ³		NXP	SOT1226-2
PCB		20 x 35mm		GPS1401M GNSS LNA EV Kit	
C1	Capacitor	0402	1nF	Murata GRM1555	Decoupling
L1	Inductor	0402	15 nH	Murata LQW15	Input matching
X1, X2	SMA RD connector	-	-	Johnson, End launch SMA 142-0701-841	RF input/ RF output
X3	DC header	-	-	Molex, PCB header, Right Angle, 1 row, 3 way 90121-0763	Bias connector
X4	JUMPER Stage	-	-	Molex, PCB header, Vertical, 1 row, 3 way 90120-0763	Connect V _{en} to V _{cc} or separate V _{en} voltage
JU1	JUMPER				

3.4 GPS1401M product description

NXP Semiconductors GPS1401M GNSS low noise amplifier is designed for the GNSS frequency band. The integrated biasing circuit is temperature stabilized, which keeps the current constant over temperature. It also enables the superior linearity performance of the GPS1401M. The GPS1401M is also equipped with an enable function that allows it to be controlled via a logic signal. In disabled mode it consumes less than 1 μ A.

The output of the GPS1401M is internally matched for 1575.42 MHz whereas only one series inductor at the input is needed to achieve the best RF performance. Both the input and output are AC coupled via an integrated capacitor. In this application the GPS1401M is tuned for the GNSS L2-band.

It requires only two external components to build a GNSS L2-band LNA having the following advantages:

- Low noise
- System optimized gain
- High linearity under jamming
- 0.8 x 0.8 x 0.35 : SOT1226-2
- Low current consumption
- Short power settling time

3.5 Inductors

The evaluation board is supplied with a Murata LQW15 series inductor of 15 nH at the input. L1 is a wire wound type of inductor with high quality factor (Q) and low series resistance (Rs). This type of inductor is recommended in order to achieve the best noise performance. High Q inductors from other suppliers can be used. If it is decided to use other low cost inductors with lower Q and higher Rs the noise performance will degrade.

Table 1. Series Inductor options

Type	Murata	Size 0201	Size 0402	Size 0603	Comment
Multilayer Non-Magnetic Core	LQG		15H NF↑↑	18H NF↑	
Film	LQP	03T NF↑↑	15M NF↑		
Wirewound Non-Magnetic Core	LQW		15A Default	18A NF↓	Lowest NF

4. Typical LNA evaluation board results

At the average power levels of -130 dBm that have to be received by a GNSS receiver, the system will not have in-band intermodulation problems caused by the GNSS-signal itself. Third-Order Intercept points are described in more detail in a separate User Manual: UM10453: 2-Tone Test BGU7005 and BGU7007 GNSS LNA.

Table 2. Typical results measured on the evaluation Board

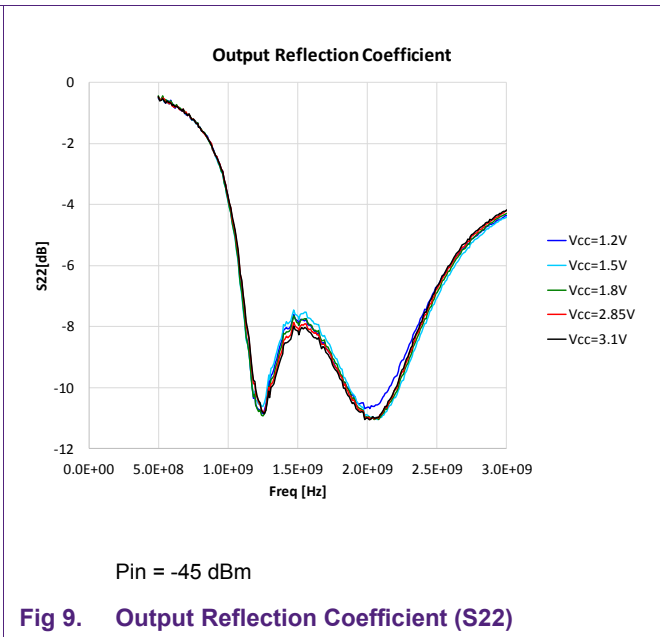
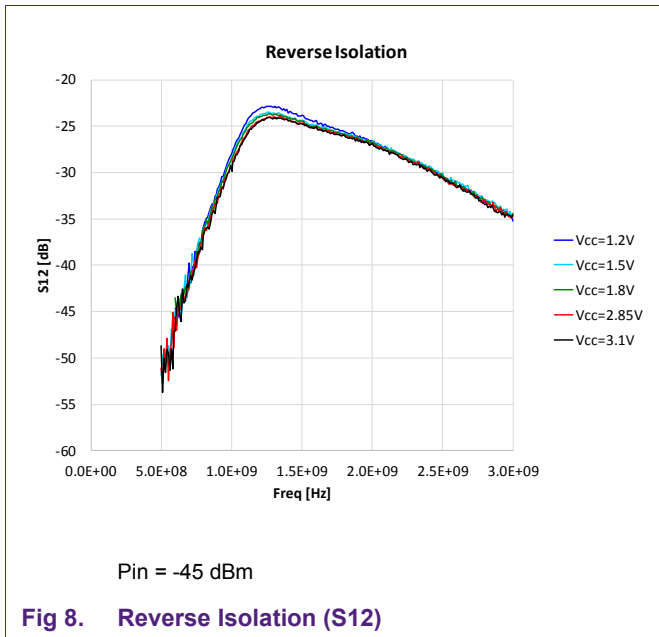
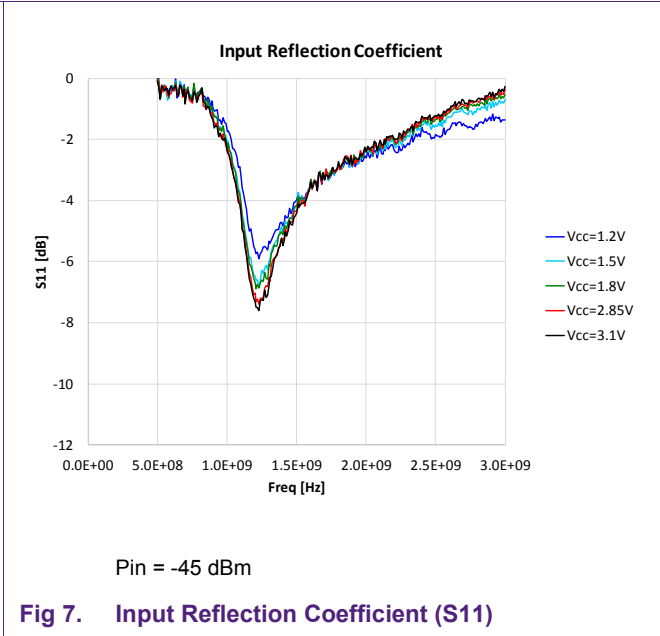
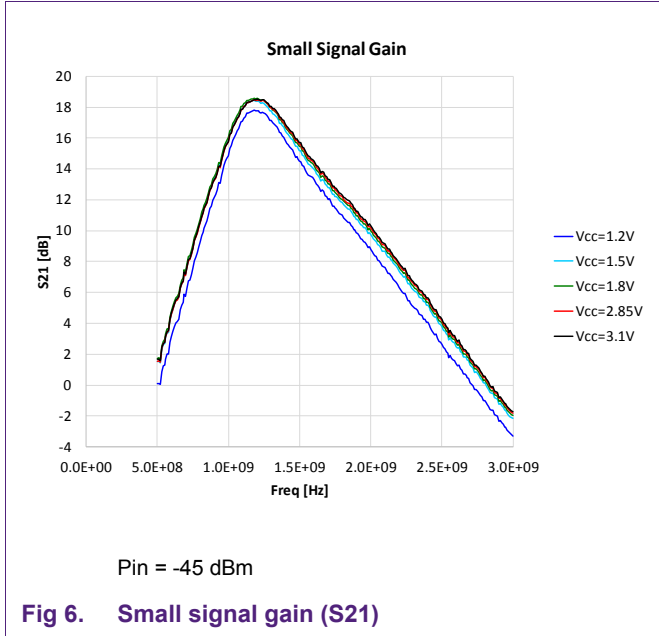
Operating temperature = 25 °C

Parameter	Symbol	Condition	LNA EVB	LNA EVB	LNA EVB	LNA EVB	LNA EVB	Unit	Remarks
Supply Voltage	V _{CC}		1.2	1.5	1.8	2.85	3.1	V	
Supply Current	I _{CC}		3.1	3.6	3.6	3.6	3.8	mA	
Noise Figure	NF	1230 MHz	1.5	0.8	0.75	0.75	0.75	dB	[1]
Power Gain	G _p	1230 MHz	17.5	18.0	18.0	18.0	18.0	dB	
Input Return Loss	RL _{in}	1230 MHz	6	7	7	7.5	7.5	dB	
Output Return Loss	RL _{out}	1230 MHz	10	10	10	10	10	dB	
Reverse Isolation	ISO _{rev}	1230 MHz	23	24	24	24	24	dB	
Input 1dB Gain Compression	P _{1dB}	1230 MHz	-15	-13	-12	-10	-9	dBm	
Input third order intercept point	IIP3	1230 MHz Δf=10 MHz	-9	-7	-7	-6.5	-6.5	dBm	
Power settling time	T _{on}			<2	< 2	< 2	< 2	μs	
	T _{off}			<1	< 1	< 1	< 1	μs	
Stability factor	K		>1	>1	>1	>1	>1	μs	

[1] The noise figure and gain figures are measured at the SMA connectors of the evaluation board. The losses of the connectors and the PCB of approximately 0.05 dB are not subtracted. Measured at T_{amb} = 25 °C.

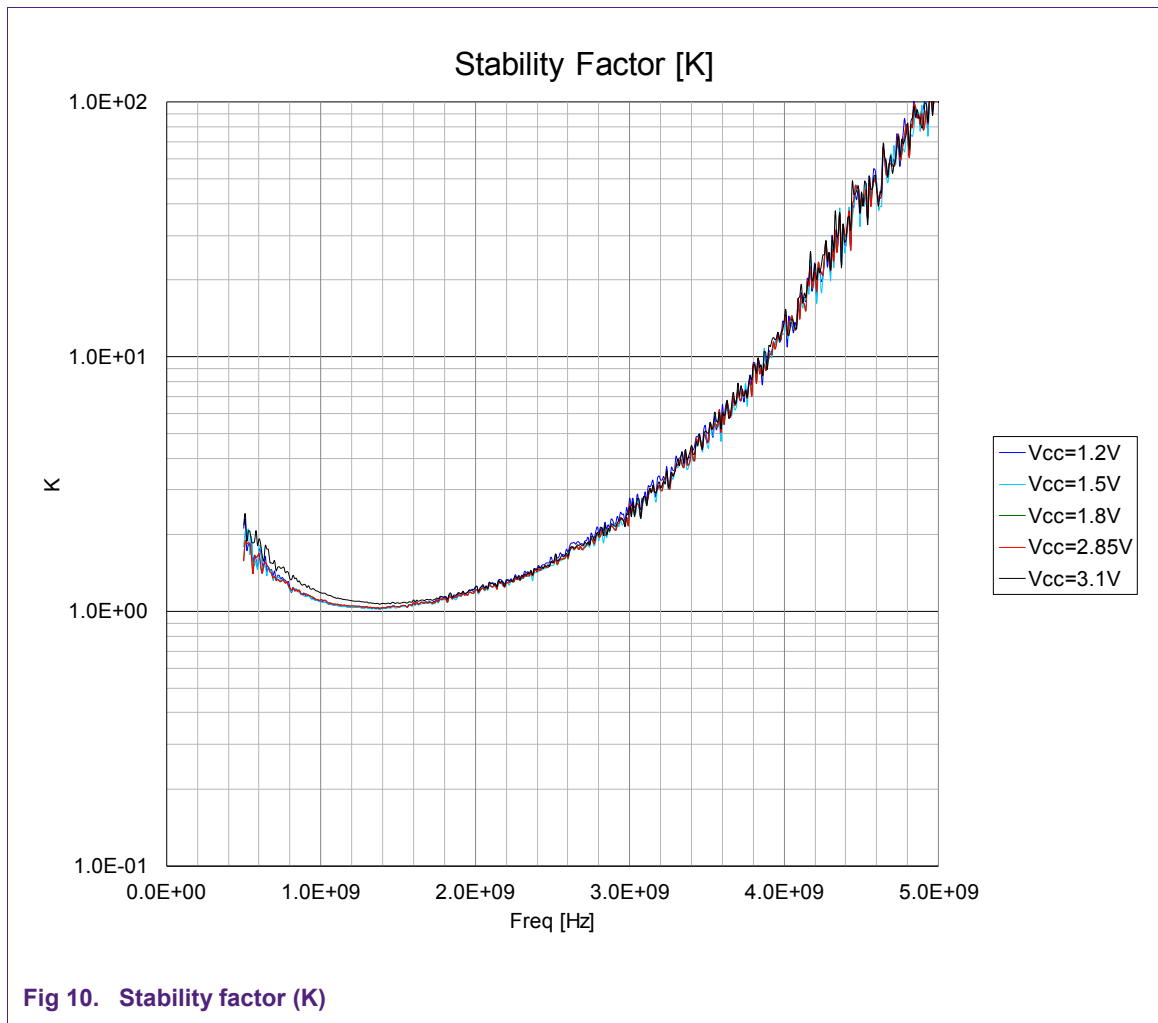
4.1 S-parameters

The S-parameters are measured at the SMA connectors of the application board. Next figures (Fig 6, Fig 7, Fig 8 and Fig 9) depicts the measurement result of the 2-port S-parameter measurement.



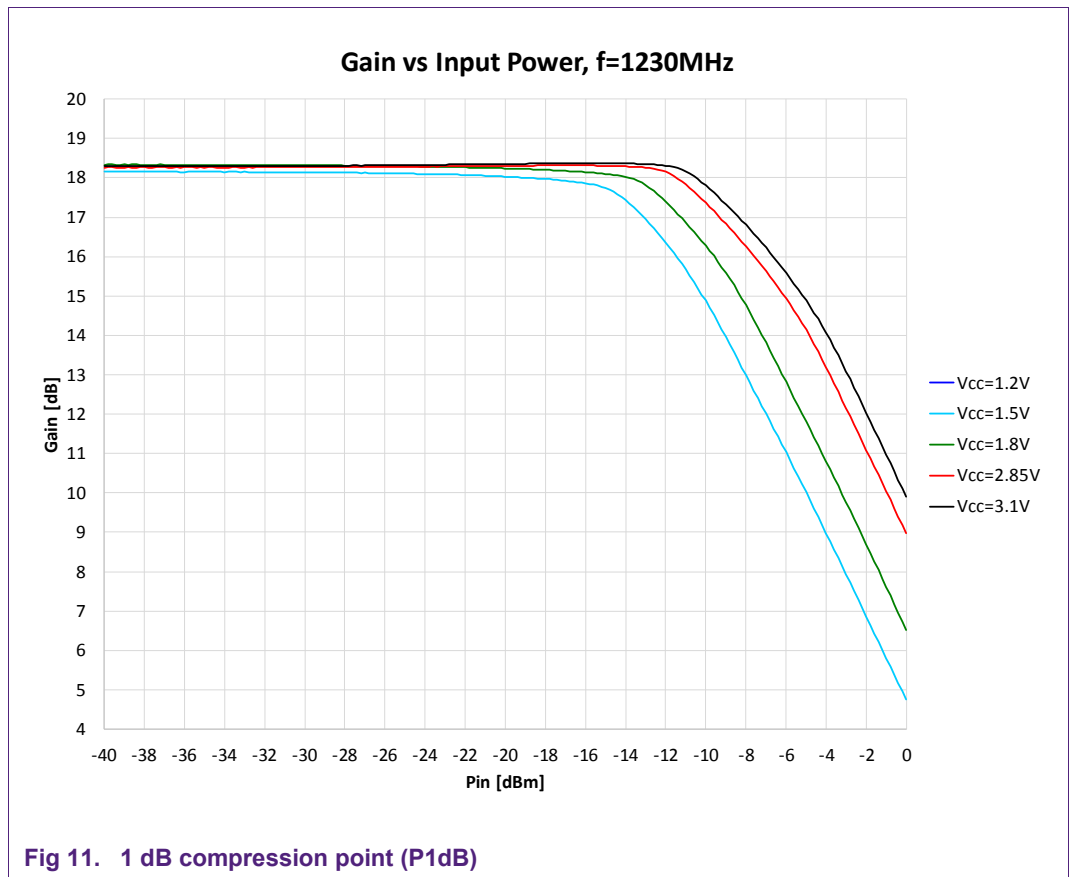
4.2 Stability factor

The stability factor “K” can be calculated with use of the S-parameter data. Stability factors less than one, indicates a possible instability issue of the circuit. Next figure (Fig 10) depicts the stability factor “K” up to a frequency of 5 GHz. Below approximately 500 MHz, the stability factor becomes noisy and is therefore unsuitable as an indicator of instability and can be neglected.



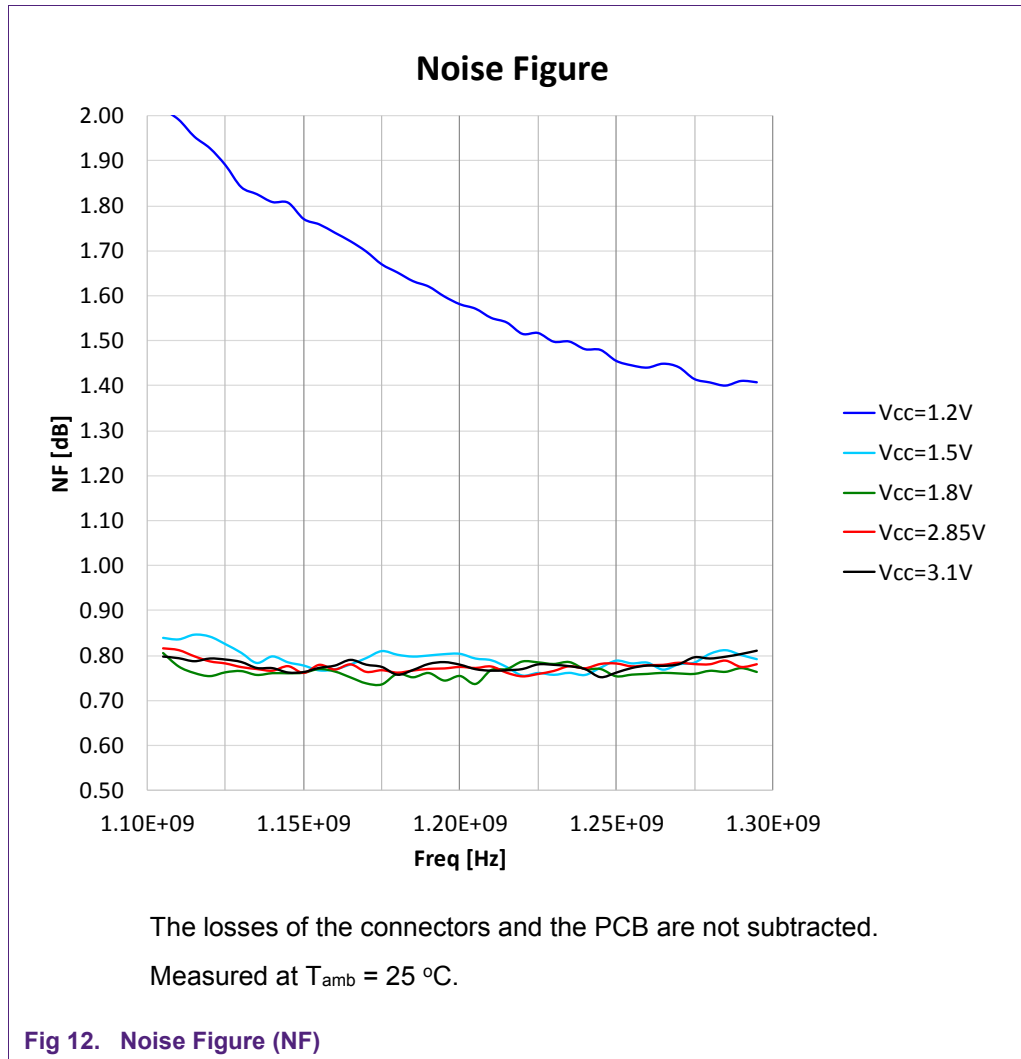
4.3 In-band 1dB gain compression

The 1dB compression point depends on the supply voltage. Next figure (Fig 11) depicts the 1dB compression point at a frequency of 1230 MHz at different supply voltages. Before the application enters the compression region, a gain expansion is noticed due to the adaptive biasing of the circuit.



4.4 Noise figure

The Noise Figure is measured at different supply voltage levels at an ambient temperature of 25°C. The Noise Figure levels are comparable with the GPS1401M GNSS LNA for the L1 band.



5. Required Equipment

In order to measure the evaluation board the following is necessary:

- ✓ DC Power Supply up to 30 mA at 1.5 V to 3.1 V
- ✓ Two RF signal generators capable of generating RF signals at the operating frequency of 1230 MHz.
- ✓ An RF spectrum analyzer that covers at least the operating frequency of 1230 MHz as well as a few of the harmonics. Up to 6 GHz should be sufficient. “Optional” a version with the capability of measuring noise figure is convenient
- ✓ Amp meter to measure the supply current (optional)
- ✓ A network analyzer for measuring gain, return loss and reverse isolation
- ✓ Noise figure analyzer and noise source
- ✓ Directional coupler
- ✓ Proper RF cables

6. Connections and setup

The GPS1401M GNSS LNA evaluation board is fully assembled and tested. Please follow the steps below for a step-by-step guide to operate the LNA evaluation board and testing the device functions.

1. Connect the DC power supply to the V_{cc} and GND terminals. Set the power supply to the desired supply voltage, between 1.5 V and 3.1 V, but never exceed 3.1 V as it might damage the GPS1401M.
2. Jumper JU1 is connected between the V_{cc} terminal of the evaluation board and the V_{en} pin of the GPS1401M.
3. Connect the RF signal generator and the spectrum analyzer to the RF input and the RF output of the evaluation board, respectively. Do not turn on the RF output of the signal generator yet, set it to -45 dBm output power at 1225 MHz, set the spectrum analyzer at 1225 MHz center frequency and a reference level of 0 dBm.
4. Turn on the DC power supply and it should read approximately 3.6 mA.
5. Enable the RF output of the generator: The spectrum analyzer displays a tone around -28 dBm at 1225 MHz.
6. Instead of using a signal generator and spectrum analyzer one can also use a network analyzer in order to measure gain as well as in- and output return loss.
7. For noise figure evaluation, either a noise figure analyzer or a spectrum analyzer with noise option can be used. The use of a 5 dB noise source, like the Agilent 364B is recommended. When measuring the noise figure of the evaluation board, any kind of adaptors, cables etc between the noise source and the evaluation board should be minimized, since this affects the noise figure.

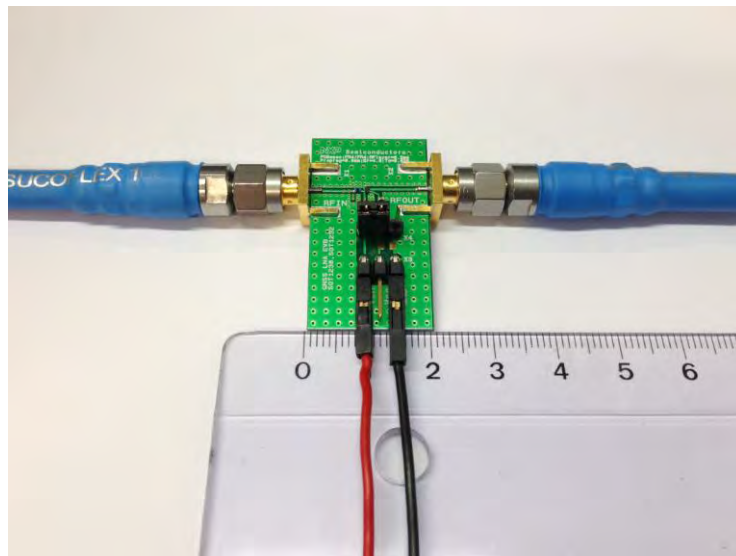


Fig 13. Evaluation board including its connections

7. Legal

information

7.1 Definitions

Draft — The document is a draft version only. The content is still under internal review and subject to formal approval, which may result in modifications or additions. NXP Semiconductors does not give any representations or warranties as to the accuracy or completeness of information included herein and shall have no liability for the consequences of use of such information.

7.2 Disclaimers

Limited warranty and liability — Information in this document is believed to be accurate and reliable. However, NXP Semiconductors does not give any representations or warranties, expressed or implied, as to the accuracy or completeness of such information and shall have no liability for the consequences of use of such information. NXP Semiconductors takes no responsibility for the content in this document if provided by an information source outside of NXP Semiconductors.

In no event shall NXP Semiconductors be liable for any indirect, incidental, punitive, special or consequential damages (including - without limitation - lost profits, lost savings, business interruption, costs related to the removal or replacement of any products or rework charges) whether or not such damages are based on tort (including negligence), warranty, breach of contract or any other legal theory.

Notwithstanding any damages that customer might incur for any reason whatsoever, NXP Semiconductors' aggregate and cumulative liability towards customer for the products described herein shall be limited in accordance with the Terms and conditions of commercial sale of NXP Semiconductors.

Right to make changes — NXP Semiconductors reserves the right to make changes to information published in this document, including without limitation specifications and product descriptions, at any time and without notice. This document supersedes and replaces all information supplied prior to the publication hereof.

Suitability for use — NXP Semiconductors products are not designed, authorized or warranted to be suitable for use in life support, life-critical or safety-critical systems or equipment, nor in applications where failure or malfunction of an NXP Semiconductors product can reasonably be expected to result in personal injury, death or severe property or environmental damage. NXP Semiconductors and its suppliers accept no liability for inclusion and/or use of NXP Semiconductors products in such equipment or applications and therefore such inclusion and/or use is at the customer's own risk.

Applications — Applications that are described herein for any of these products are for illustrative purposes only. NXP Semiconductors makes no representation or warranty that such applications will be suitable for the specified use without further testing or modification.

Customers are responsible for the design and operation of their applications and products using NXP Semiconductors products, and NXP Semiconductors accepts no liability for any assistance with applications or customer product design. It is customer's sole responsibility to determine whether the NXP Semiconductors product is suitable and fit for the customer's applications and products planned, as well as for the planned application and use of customer's third party customer(s). Customers should provide appropriate design and operating safeguards to minimize the risks associated with their applications and products.

NXP Semiconductors does not accept any liability related to any default, damage, costs or problem which is based on any weakness or default in the customer's applications or products, or the application or use by customer's third party customer(s). Customer is responsible for doing all necessary testing for the customer's applications and products using NXP Semiconductors products in order to avoid a default of the applications and the products or of the application or use by customer's third party customer(s). NXP does not accept any liability in this respect.

Export control — This document as well as the item(s) described herein may be subject to export control regulations. Export might require a prior authorization from national authorities.

Evaluation products — This product is provided on an "as is" and "with all faults" basis for evaluation purposes only. NXP Semiconductors, its affiliates and their suppliers expressly disclaim all warranties, whether express, implied or statutory, including but not limited to the implied warranties of non-infringement, merchantability and fitness for a particular purpose. The entire risk as to the quality, or arising out of the use or performance, of this product remains with customer.

In no event shall NXP Semiconductors, its affiliates or their suppliers be liable to customer for any special, indirect, consequential, punitive or incidental damages (including without limitation damages for loss of business, business interruption, loss of use, loss of data or information, and the like) arising out of the use of or inability to use the product, whether or not based on tort (including negligence), strict liability, breach of contract, breach of warranty or any other theory, even if advised of the possibility of such damages.

Notwithstanding any damages that customer might incur for any reason whatsoever (including without limitation, all damages referenced above and all direct or general damages), the entire liability of NXP Semiconductors, its affiliates and their suppliers and customer's exclusive remedy for all of the foregoing shall be limited to actual damages incurred by customer based on reasonable reliance up to the greater of the amount actually paid by customer for the product or five dollars (US\$5.00). The foregoing limitations, exclusions and disclaimers shall apply to the maximum extent permitted by applicable law, even if any remedy fails of its essential purpose.

7.3 Trademarks

Notice: All referenced brands, product names, service names and trademarks are property of their respective owners.

8. List of figures

Fig 1.	GPS1401M GNSS L2-band LNA evaluation board.....	3
Fig 2.	GNSS frequency bands	4
Fig 3.	Circuit diagram of the GPS1401M L2-band LNA evaluation board	5
Fig 4.	Printed-Circuit Board layout of the BGU8309 LNA evaluation board with detail of the footprint (right).	6
[1]	Material supplier is ISOLA DURAVER; $\epsilon_r = 4.6-4.9$; $T\delta = 0.02$	6
Fig 5.	Stack of the PCB material.....	6
Fig 6.	Small signal gain (S21).....	10
Fig 7.	Input Reflection Coefficient (S11)	10
Fig 8.	Reverse Isolation (S12)	10
Fig 9.	Output Reflection Coefficient (S22).....	10
Fig 10.	Stability factor (K).....	11
Fig 11.	1 dB compression point (P1dB)	12
Fig 12.	Noise Figure (NF)	13
Fig 13.	Evaluation board including its connections	15

9. List of tables

Table 1. BOM of the GPS1401M L2 band GNSS LNA evaluation board7

Table 1. Series Inductor options8

Table 2. Typical results measured on the evaluation Board9

10. Contents

1.	Introduction	3
2.	General description.....	4
3.	GPS1401M GNSS L2-band LNA evaluation board	5
3.1	Application Circuit	5
3.2	PCB Layout.....	6
3.3	Bill of materials.....	7
3.4	GPS1401M product description	7
3.5	Inductors	8
4.	Typical LNA evaluation board results	9
4.1	S-parameters	10
4.2	Stability factor.....	11
4.3	In-band 1dB gain compression.....	12
4.4	Noise figure.....	13
5.	Required Equipment	14
6.	Connections and setup.....	15
7.	Legal information	16
7.1	Definitions	16
7.2	Disclaimers.....	16
7.3	Trademarks.....	16
8.	List of figures.....	17
9.	List of tables	18
10.	Contents.....	19

Please be aware that important notices concerning this document and the product(s) described herein, have been included in the section 'Legal information'.

© NXP B.V. 2017.

All rights reserved.

For more information, visit: <http://www.nxp.com>

For sales office addresses, please send an email to: salesaddresses@nxp.com

Date of release: 17 July 2017

Document identifier: AN11915