

# AN13320

## NXP PMIC solution for XILINX UltraScale+ MPSoC ZU2/ZU3 Processor

Rev. 1 — 1 September 2021

Application note

### Document information

Information	Content
Keywords	Power solution, PMIC, FS56, FS85, PF81, PF71, PF5020, PF5024 Functional safety, Xilinx Zynq UltraScale+ MPSoC, ZU2, ZU3
Abstract	This application note shows two NXP PMIC solutions for powering a Xilinx Zynq UltraScale+ MPSoC ZU2/ZU3. The first one is a cost-optimized power solution using the FS56 and PF81. The second is a full performance power solution using the FS85, PF71, PF5024, and PF5020.



## Revision History

---

**Table 1. Revision history**

Revision	Date	Description
AN13320 v.1	20210901	Initial Release
Modifications	NA	

# 1 Introduction

The Xilinx Zynq UltraScale+ MPSoC ZU2/ZU3 is a high-performance smart-processing platform aimed at deep learning applications such as autonomous driving systems. Given the high number of power rails required, ZU2 and ZU3 systems present challenging power management demands. These conditions are further complicated by the need to meet additional power requirements for other components in the system. NXP's flexible Power Management ICs (PMIC) offer a total power solution that fully meets ZU2/ZU3 system requirements in a way that simplifies design and development.

NXP PMICs feature a built-in one-time programmable (OTP) memory that stores key startup configurations. Users define the OTP configuration based on their specific application requirements. The PMICs also feature a dedicated functional block for synchronizing power-up sequences from multiple PMICs. Thus, NXP Multi-PMICs function as "one chipset" in the system. This simplifies the design effort and reduces system complexity by eliminating the need for an external controller for system default voltage configurations and power-up sequence configurations.

This application note introduces two typical NXP PMIC designs for a ZU2/ZU3 device and its system. [Table 2](#) shows the power solutions. Detailed PMIC power tree configurations, power-up sequences, and functional safety features are described in the sections that follow. Because of the PMIC's OTP capabilities, PMIC configurations can be customized to meet a customer's specific system requirements.

**Table 2. Xilinx ZU2/U3 power solutions**

Power supply consolidation	Functional safety level	NXP PMIC solution	
		Xilinx ZU2/ZU3 power supply	System power supply
Cost optimized power solution	QM	PF81	FS56 and PF81
Full performance power solution	ASIL-D/ASIL-B	PF71, PF5024 and PF5020	FS85, PF71, PF5024 and PF5020

# 2 Cost Optimized Power Solution

A cost-optimized power solution is a goal for always-on, Functional Safety QM-level applications. [Table 3](#) defines a PF81 configuration for powering ZU2/ZU3 designs. PF81 is a low voltage input PMIC that includes seven buck outputs and four LDOs outputs. The PF81 is capable of meeting all the power supply requirements for ZU2/ZU3 and DDR systems. Output current for each PF81 buck is 2.5 A maximum and for each LDO is 0.4 A maximum. PF81 Buck1, Buck2, Buck3 are configured as three-phase buck regulators that support 7.5 A continuous current. The PF81's output voltage and power-up sequence are configured in OTP.

**Table 3. Xilinx ZU2/ZU3 Cost-optimized power solution with PF81**

Xilinx ZU2/ZU3 power rail		PF81 output power configuration			
Rail	Symbol	Output channel	Output/voltage/V	Current Capability/A	Power-up sequence
Rail 1	VCCINT, VCC_PSINTFP, VCC_PSINTLP, VCC_PSINTFP_DDR, VCINT_IO, VCCB RAM	BUCK1 – BUCK3	0.85	7.5	1

Table 3. Xilinx ZU2/ZU3 Cost-optimized power solution with PF81...continued

Xilinx ZU2/ZU3 power rail		PF81 output power configuration			
Rail	Symbol	Output channel	Output/voltage/ V	Current Capability/A	Power-up sequence
Rail 2	VCC_PSAUX, VCC_PSADC, VC_PSDDR_PLL, VCCAUX, VCCAUX_IO, VCCAD	BUCK7	1.8	2.5	2
Rail 3	VCC_PSPLL	LDO2	1.2	0.4	2
Rail 4	VCCO_PSDDR	BUCK5	1.2	2.5	3
Rail 5	VCC_PSI0[0:3]	LDO4	1.8	0.4	3
Rail 6	VPS_MGTRAVCC	BUCK4	0.85	2.5	2
Rail 7	VPS_MGTRAVTT	LDO3	1.8	0.4	3
NA	VPP(DDR)	BUCK6	0.6	2.5	3
NA	VTT(DDR)	LDO1	2.5	0.4	3

Normally, an MCU is used in actual ZU2/ZU3 automotive autonomous driving applications. Figure 1 shows an NXP PMIC solution using an FS56 and a PF81 to power an MCU in a ZU2/ZU3 system. The FS56 is a high voltage PMIC that supports 12 V vehicle battery systems. It includes two buck outputs, one powering the MCU and the other powering the PF81. The MCU uses the I<sup>2</sup>C interface to configure the FS56 and the PF81 registers. Both the FS56 and the PF81 have a PGOOD pin that notifies the MCU whether the PMIC power supply output is good. The MCU controls the power on request for the PF81 through the PF81's PWRON pin. FS56 and PF81 are QM-level for this design. NXP also offers P2P-compatible ASIL-B level devices.

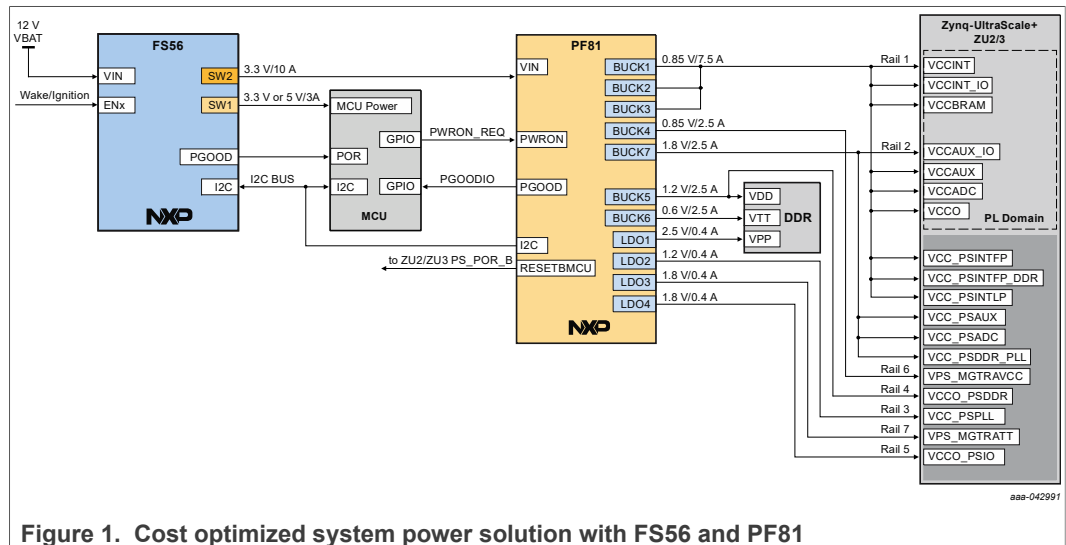


Figure 1. Cost optimized system power solution with FS56 and PF81

### 3 Full Performance Power Solution

Some ZU2/ZU3 applications must be capable of entering an ultra-low power/reduced function state in order to maximize battery life or to reduce overall power consumption. In addition, autonomous driving applications require Functional Safety features. A full performance power solution must support low power mode requirements and must meet the Functional Safety requirements for ASIL-D/B systems. The FS85/PF71/PF5020/PF5024 PMIC solutions presented in this section are intended to aid designers in meeting those requirements for ZU2/ZU3-based systems.

### 3.1 Power solution

[Table 4](#) defines a PF71/PF5024/PF5020 power supply configuration for a Xilinx ZU2/ZU3 design. PF71 contains five high-efficiency buck converters and two LDOs with load switch options. PF5020 contain three buck converters and one LDO. PF5024 has four buck converters. Each PF71, PF5020 and PF5024 buck converter is rated up to 2.5 A and the linear regulator is rated up to 0.4 A. By using dedicated regulators for different rails, this power solution separates the ZU2/ZU3 power rails, thereby allowing different low power modes of operation and reducing power consumption.

**Table 4. Xilinx ZU2/ZU3 full performance power solution with PF71/PF5024/PF5020**

Xilinx ZU2/ZU3 power rail		PMIC output power configuration			
Rail	Symbol	Output channel	Output/voltage/ V	Current Capability/A	Power-up sequence
Rail 1	VCC_PSINTLP	PF71 BUCK1	0.85	2.5	1
Rail 2	VCC_PSAUX, VCC_PSADC	PF71 BUCK2	1.8	2.5	2
Rail 3	VCC_PSPLL	PF71 LDO1	1.2	0.4	2
Rail 4	VCC_PSIO[0:3]	PF71 LDO2	1.2	0.4	3
Rail 5	VCC_PSINTFP, VCC_PSINTFP_DDR	PF5024 BUCK3 – BUCK4	0.85	5.0	1
Rail 6	VCC_PSDDR_PLL	PF5020 LDO1	1.8	0.4	2
Rail 7	VCCO_PSDDR	PF71 BUCK3	1.2	2.5	3
Rail 8	VCCINT, VCCINT_IO, VCCBRAM	PF5024 BUCK1 – BUCK2	0.85	5.0	1
Rail 9	VCCAUX, VCCAUX_IO, VCCADC	PF5020 BUCK3	1.8	2.5	2
Rail 10	VPS_MGTRAVCC	PF5020 BUCK1	0.85	2.5	2
Rail 11	VPS_MGTRAVTT	PF5020 BUCK2	1.8	2.5	3
NA	VTT(DDR)	PF71 BUCK4	0.6	2.5	3
NA	VPP(DDR)	PF71 BUCK5	2.5	2.5	3

[Figure 2](#) shows a typical architecture for an autonomous driving ECU that requires Functional Safety. The FS85 and the ASIL-D MCU are the ASIL-D domain for the decision and control function. The PF71/PF5024/PF5020 combination powers the ZU2/ZU3 in the ASIL-B domain. The FS85 is a high-voltage PMIC that supports 12 V or 24 V battery systems. It is designed for ASIL-D systems that power and secure an ASIL-D MCU. The FS85 has multiple outputs for powering the MCU and its peripherals (e.g. CAN, Ethernet and Memory). In addition, the FS85 provides input power to low-voltage PMICs through the Vpre pin. PF71, PF5024, PF5020 are ASIL-B ready for this design. All PMICs in this solution have Functional Safety features integrated within the device which signifying, reduces the Functional Safety system development effort.

NXP PMIC solution for XILINX UltraScale+ MPSoC ZU2/ZU3 Processor

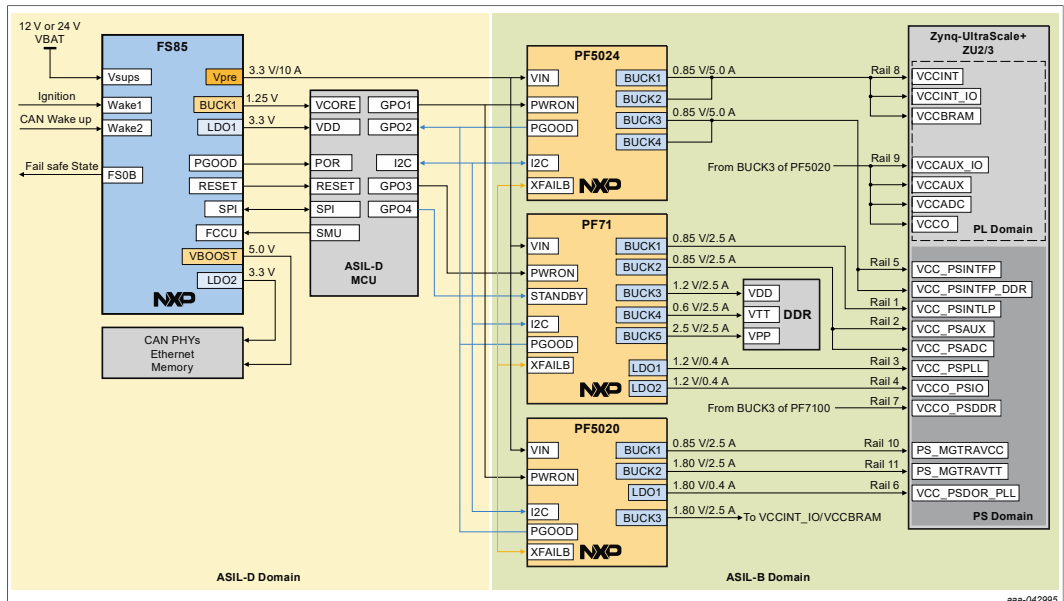


Figure 2. Full performance system power solution with FS85, PF5024, PF71 and PF5020

Table 5 details the I/O connection between the PMIC and the ASIL-D MCU. The PF71, PF5024 and PF5020 power-ups are triggered by the ASIL-D MCU with the PMIC PWRON pin. This combination of devices acts as “one PMIC” for power up/down sequences through the NXP PMIC internal power-up sequencer PWRON and XFAILB functions. The multiple PMICs effectively synchronize accurate power-up and power-down sequencing for all power rails by the PMIC itself without the need for MCU control.

Table 5. Xilinx ZU2/ZU3 connection with PF71, PF5024 and PF5020

PMIC	ASIC-D MCU	Block	Function
FS85 PGOOD	POR	IO	FS85 power good output that connects to MCU hardware reset
FS85 RESET	RESET		FS85 reset output that connects to MCU software reset
FS85 FCCU	SMU		FS85 monitor MCU hardware fault
PF5024 & PF5020 PWRON	GPIO1		PF5024 and PF5020 power-on input request by MCU
PF5024 & PF5020 & PF71 PGOOD	GPIO2	Communication	PF5024, PF5020 and PF71 input indicator
PF71 PWRON	GPIO3		PF5024&PF5020&PF71 power good indicator
PF71 STANDBY	GPIO4		PF71 standby mode input request by MCU
FS85 SPI	SPI	Communication	SPI bus communication for FS85 and MCU
PF5024 & PF5020 & PF71 I2C	I2C		I <sup>2</sup> C bus communication for PF5024, PF5020 and MCU

## 4 Functional Safety

NXP PMICs are developed in compliance with the ISO26262 standard. All FS85, PF71, PF5024 and PF5020 devices have embedded safety mechanisms that include the following functional safety features:

- Independent voltage monitoring and fault detection:** The PMICs listed above offer independent fault monitoring per regulator. UV, OV and ILIM faults are monitored by

the PMIC fault monitor block. The PMICs indicate the output state of each regulator through the PGOOD pin

- **I<sup>2</sup>C CRC and write protection:** The I<sup>2</sup>C secure write function provides safety mechanisms that protect secure registers against invalid operations.
- **Analog built-in self-test (ABIST):** Each time the ZU2/ZU3 system powers up, the PMICs initiate an ABIST process on all output voltage monitors before allowing the power-up sequence to proceed. ABIST checks the state of the voltage monitoring block (OV/UV) of each regulator to assure that it is functioning normally. If a failure on the OV/UV monitor is detected during the ABIST, the PMIC asserts the corresponding ABIST flag.
- **Functional safety output:** When the PMIC detects a critical fault, such as an incorrect regulator output or a WD failure, the FS85's FSOB pin is used to transition the system into a safe state.
- **Logic build-in self-test (LBIST, FS85 only):** LBIST verifies the functionality of the safety logic monitoring functions. The FS85 performs an LBIST after power-up or wake up from Standby mode.
- **External voltage monitor (FS85 only):** The FS85 contains up to four voltage monitors that can be used to monitor FS85 supply rails or PF device regulators. Depending on the safety requirements, VMON can be used to monitor PF device for each of the system ASIL-D safety levels.
- **MCU failure monitoring (FS85 only):** The FS85 features two input pins (FCCU1 and FCCU2) dedicated to monitoring safety hardware failures in the MCU. The FCCU pins connect to the MCU's fault output I/O. When the FS85 detects an MCU hardware failure through the FCCU pins, the FS85 FS0B\RSTB pin is asserted.
- **External IC monitoring (FS85 only):** The FS85 features an ERRMON input pin for monitoring the application's external safety IC.
- **Challenger watchdog monitoring (FS85 only):** The challenger watchdog uses a question/answer strategy to monitor MCU safety.

[Figure 3](#) show a functional safety signal configuration based on ASIL-D/B safety requirements for a ZU2/ZU3 system.

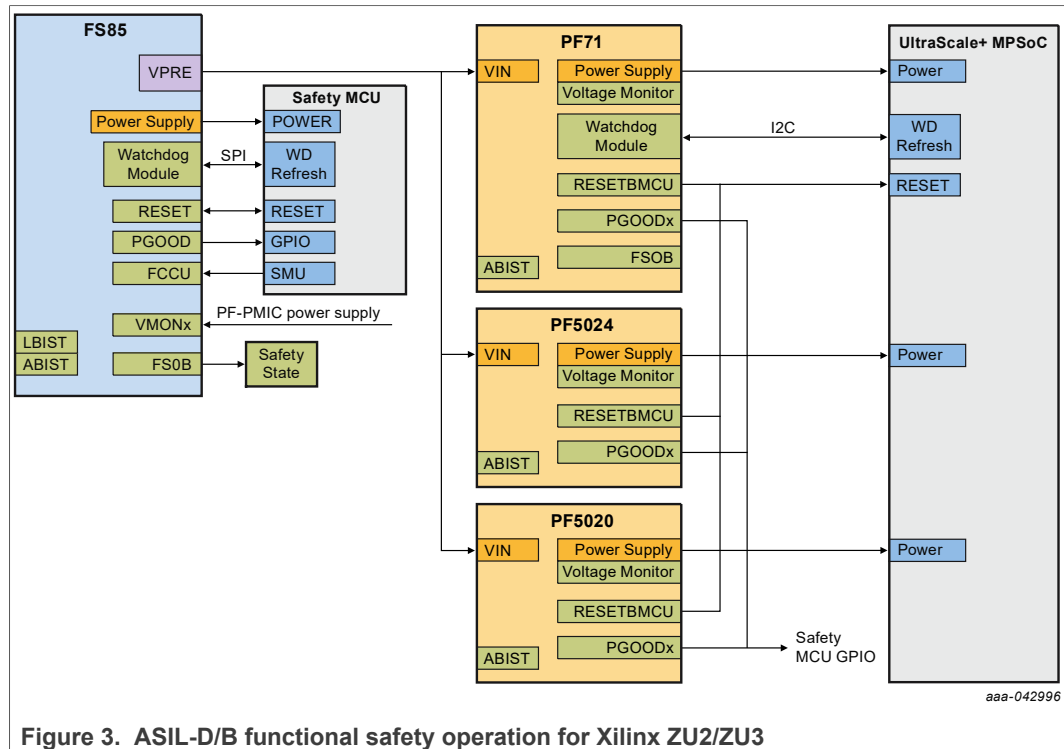


Figure 3. ASIL-D/B functional safety operation for Xilinx ZU2/ZU3

## 5 References

- [1] [FS56 webpage](#) — includes documentation and tools (Data sheet, Safety Manual, FMEDA, SW driver)
- [2] [FS85 webpage](#) — includes documentation and tools (Data sheet, Safety Manual, FMEDA, SW driver)
- [3] [PF81 webpage](#) — includes documentation and tools (Data sheet, Safety Manual, FMEDA, SW driver)
- [4] [PF71 webpage](#) — includes documentation and tools (Data sheet, Safety Manual, FMEDA, SW driver)
- [5] [PF5020 webpage](#) — includes documentation and tools (Data sheet, Safety Manual, FMEDA, SW driver)
- [6] [PF5024 webpage](#) — includes documentation and tools (Data sheet, Safety Manual, FMEDA, SW driver)
- [7] [Power Management Community](#)



## 6 Legal information

### 6.1 Definitions

**Draft** — A draft status on a document indicates that the content is still under internal review and subject to formal approval, which may result in modifications or additions. NXP Semiconductors does not give any representations or warranties as to the accuracy or completeness of information included in a draft version of a document and shall have no liability for the consequences of use of such information.

### 6.2 Disclaimers

**Limited warranty and liability** — Information in this document is believed to be accurate and reliable. However, NXP Semiconductors does not give any representations or warranties, expressed or implied, as to the accuracy or completeness of such information and shall have no liability for the consequences of use of such information. NXP Semiconductors takes no responsibility for the content in this document if provided by an information source outside of NXP Semiconductors. In no event shall NXP Semiconductors be liable for any indirect, incidental, punitive, special or consequential damages (including - without limitation - lost profits, lost savings, business interruption, costs related to the removal or replacement of any products or rework charges) whether or not such damages are based on tort (including negligence), warranty, breach of contract or any other legal theory. Notwithstanding any damages that customer might incur for any reason whatsoever, NXP Semiconductors' aggregate and cumulative liability towards customer for the products described herein shall be limited in accordance with the Terms and conditions of commercial sale of NXP Semiconductors.

**Right to make changes** — NXP Semiconductors reserves the right to make changes to information published in this document, including without limitation specifications and product descriptions, at any time and without notice. This document supersedes and replaces all information supplied prior to the publication hereof.

**Suitability for use** — NXP Semiconductors products are not designed, authorized or warranted to be suitable for use in life support, life-critical or safety-critical systems or equipment, nor in applications where failure or malfunction of an NXP Semiconductors product can reasonably be expected to result in personal injury, death or severe property or environmental damage. NXP Semiconductors and its suppliers accept no liability for inclusion and/or use of NXP Semiconductors products in such equipment or applications and therefore such inclusion and/or use is at the customer's own risk.

**Applications** — Applications that are described herein for any of these products are for illustrative purposes only. NXP Semiconductors makes no representation or warranty that such applications will be suitable for the specified use without further testing or modification. Customers are responsible for the design and operation of their applications and products using NXP Semiconductors products, and NXP Semiconductors accepts no liability for any assistance with applications or customer product design. It is customer's sole responsibility to determine whether the NXP

Semiconductors product is suitable and fit for the customer's applications and products planned, as well as for the planned application and use of customer's third party customer(s). Customers should provide appropriate design and operating safeguards to minimize the risks associated with their applications and products. NXP Semiconductors does not accept any liability related to any default, damage, costs or problem which is based on any weakness or default in the customer's applications or products, or the application or use by customer's third party customer(s). Customer is responsible for doing all necessary testing for the customer's applications and products using NXP Semiconductors products in order to avoid a default of the applications and the products or of the application or use by customer's third party customer(s). NXP does not accept any liability in this respect.

**Terms and conditions of commercial sale** — NXP Semiconductors products are sold subject to the general terms and conditions of commercial sale, as published at <http://www.nxp.com/profile/terms>, unless otherwise agreed in a valid written individual agreement. In case an individual agreement is concluded only the terms and conditions of the respective agreement shall apply. NXP Semiconductors hereby expressly objects to applying the customer's general terms and conditions with regard to the purchase of NXP Semiconductors products by customer.

**Export control** — This document as well as the item(s) described herein may be subject to export control regulations. Export might require a prior authorization from competent authorities.

**Translations** — A non-English (translated) version of a document is for reference only. The English version shall prevail in case of any discrepancy between the translated and English versions.

**Security** — Customer understands that all NXP products may be subject to unidentified or documented vulnerabilities. Customer is responsible for the design and operation of its applications and products throughout their lifecycles to reduce the effect of these vulnerabilities on customer's applications and products. Customer's responsibility also extends to other open and/or proprietary technologies supported by NXP products for use in customer's applications. NXP accepts no liability for any vulnerability. Customer should regularly check security updates from NXP and follow up appropriately. Customer shall select products with security features that best meet rules, regulations, and standards of the intended application and make the ultimate design decisions regarding its products and is solely responsible for compliance with all legal, regulatory, and security related requirements concerning its products, regardless of any information or support that may be provided by NXP. NXP has a Product Security Incident Response Team (PSIRT) (reachable at [PSIRT@nxp.com](mailto:PSIRT@nxp.com)) that manages the investigation, reporting, and solution release to security vulnerabilities of NXP products.

### 6.3 Trademarks

Notice: All referenced brands, product names, service names and trademarks are the property of their respective owners.

**NXP** — wordmark and logo are trademarks of NXP B.V.

**Tables**

Tab. 1.	Revision history .....	2	Tab. 4.	Xilinx ZU2/ZU3 full performance power solution with PF71/PF5024/PF5020 .....	5
Tab. 2.	Xilinx ZU2/U3 power solutions .....	3	Tab. 5.	Xilinx ZU2/ZU3 connection with PF71, PF5024 and PF5020 .....	6
Tab. 3.	Xilinx ZU2/ZU3 Cost-optimized power solution with PF81 .....	3			

**Figures**

Fig. 1.	Cost optimized system power solution with FS56 and PF81 .....	4	Fig. 3.	ASIL-D/B functional safety operation for Xilinx ZU2/ZU3 .....	8
Fig. 2.	Full performance system power solution with FS85, PF5024, PF71 and PF5020 .....	6			

## Contents

---

<b>1</b>	<b>Introduction .....</b>	<b>3</b>
<b>2</b>	<b>Cost Optimized Power Solution .....</b>	<b>3</b>
<b>3</b>	<b>Full Performance Power Solution .....</b>	<b>4</b>
3.1	Power solution .....	5
<b>4</b>	<b>Functional Safety .....</b>	<b>6</b>
<b>5</b>	<b>References .....</b>	<b>8</b>
<b>6</b>	<b>Legal information .....</b>	<b>9</b>

---

Please be aware that important notices concerning this document and the product(s) described herein, have been included in section 'Legal information'.

---

© NXP B.V. 2021.

All rights reserved.

For more information, please visit: <http://www.nxp.com>

For sales office addresses, please send an email to: [salesaddresses@nxp.com](mailto:salesaddresses@nxp.com)

Date of release: 1 September 2021

Document identifier: AN13320