

56F8300 and 56F8100 ADC

Understanding 56F8300 and 56F8100 ADC Specifications and How to Get the Best Performance in Applications

Bill Hutchings and Les Lewis

1. Introduction

This document describes the meaning of the Data Sheet specifications for the Analog-to-Digital Converter (ADC), how they are calculated, and how they relate to real-world signal impairments. In addition, this note will introduce simple methods to get the best performance from the ADC in the 56F8300 and 56F8100 devices.

2. ADC Transfer Function and Error Sources

This section describes the ideal transfer function for an ADC. The Data Sheet specifications provide data on how the real ADC transfer function strays from the ideal.

The theoretical ideal transfer function for an ADC is a straight line, but this would require an infinite number of steps and therefore an infinite number of bits to represent. A practical theoretical transfer function is a uniform linear staircase function, shown in [Figure 2-1](#). The ADC specifications in each device's Data Sheet describe in quantitative terms how far the component deviates from the ideal transfer function.

Contents

1. Introduction	1
2. ADC Transfer Function and Error Sources	1
2.1 Quantization Error	2
2.2 Static Errors	3
2.3 Dynamic Errors.....	6
2.4 Measurement Methods.....	7
3. Using the 56F8300 and 56F8100 ADC	7
3.1 Input Impedance	7
3.2 Practical ADC Calibration.....	9
3.3 Optimizing Linearity and ENOB..	11
3.4 Choosing the Right Device.....	11
3.5 Using the ADC's Operational Modes.....	11
4. Conclusion	13
5. References	13

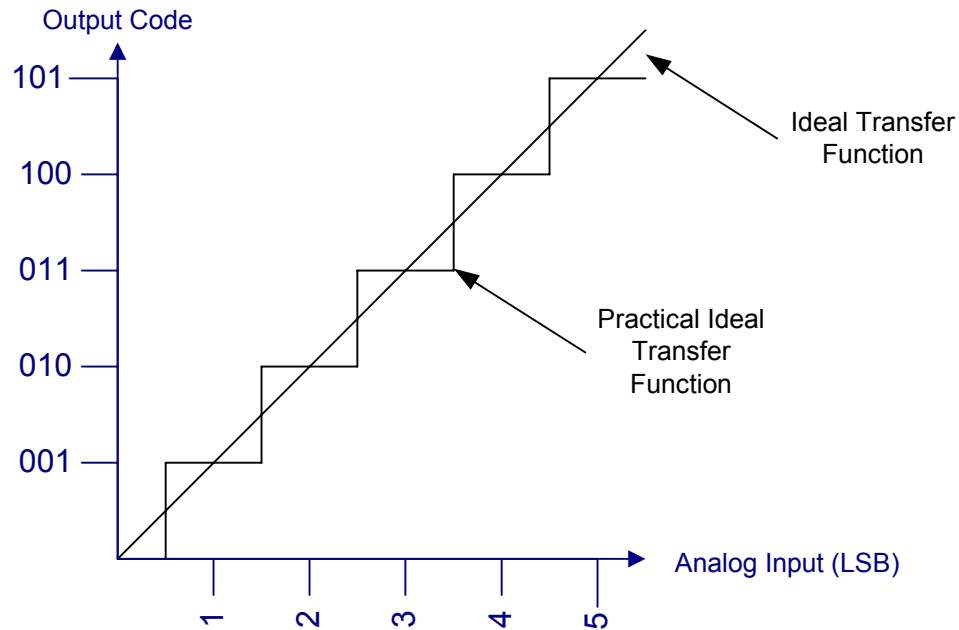


Figure 2-1. Transfer Function

2.1 Quantization Error

The practical ideal transfer function is used to represent a continuous analog signal as a set of discrete staircase digital codes, which introduces quantization error. As shown in [Figure 2-1](#), the width of each step is one code increment or one Least Significant Bit (LSB), so a range of continuous analog inputs is represented by a single code value. The mapping can be represented as shown in [Table 2-1](#).

Table 2-1. Quantization Error

Analog Input	Digital Code
4.5 - 5.5	101
3.5 - 4.5	100
2.5 - 3.5	011
1.5 - 2.5	010
0.5 - 1.5	001
0 - 0.5	000

If we state that the value 001 represents the mid-point of the analog input range of 0.5 to 1.5, then the analog value 1.0 is represented by 001 with no error. But since the analog value of 0.5 is also represented by the digital value 001, the end points of the analog range represent the maximum error. In terms of bits, the maximum error can be expressed as +1/2 bit for the 0.5 endpoint and -1/2 bit for the 1.5 endpoint. Maximum physical voltage error, e_v , can be calculated with the following equation:

$$e_v = (1 \text{ LSB voltage range})/2$$

The voltage range of 1 LSB depends on the full-scale voltage range that the ADC is set to sample and the total number of digital codes present. Analog-to-Digital Converters are specified in the number of bits of resolution. If “n” is the number of bits of resolution, then the total number of digital codes present is 2^n . The voltage range represented by each bit, v_b , can be expressed as:

$$v_b = (\text{Full scale voltage range}) / 2^n$$

The maximum physical voltage error, e_v , can be expressed as:

$$e_v = (\text{Full scale voltage range}) / 2^{n+1}$$

2.2 Static Errors

Static errors are characterized by offset error, gain error, integral non-linearity and differential non-linearity. Static errors can be fully characterized using non-varying input signals, but they affect the conversion of all input signals, whether they are static or dynamic.

Gain and offset errors are shown in [Figure 2-2](#). Examining the actual transfer function shows a DC-bias error that causes the zero crossing to occur at a point other than the origin. In this example, the analog input that causes a zero code to be output is 1.5 to 2.5 code instead of 0 to 0.5 code. This offset error is a constant across the entire analog input range. The gain error reflected in [Figure 2-2](#) shows that the actual transfer function doesn't have a 45 degree slope. The following equation describes the best-fit linear regression of the actual ADC transfer function:

$$Y = (E_{\text{GAIN}} X) + V_{\text{OFFSET}}$$

E_{GAIN} = Gain error value from the component Data Sheet

X = Actual analog input

V_{OFFSET} = DC input offset voltage from the component Data Sheet

Y = Apparent analog input converted by ADC

These effects are linear over the input voltages and frequency and demonstrate that the actual analog input voltage can be solved for and the effects of the gain errors and offset voltages can be removed.

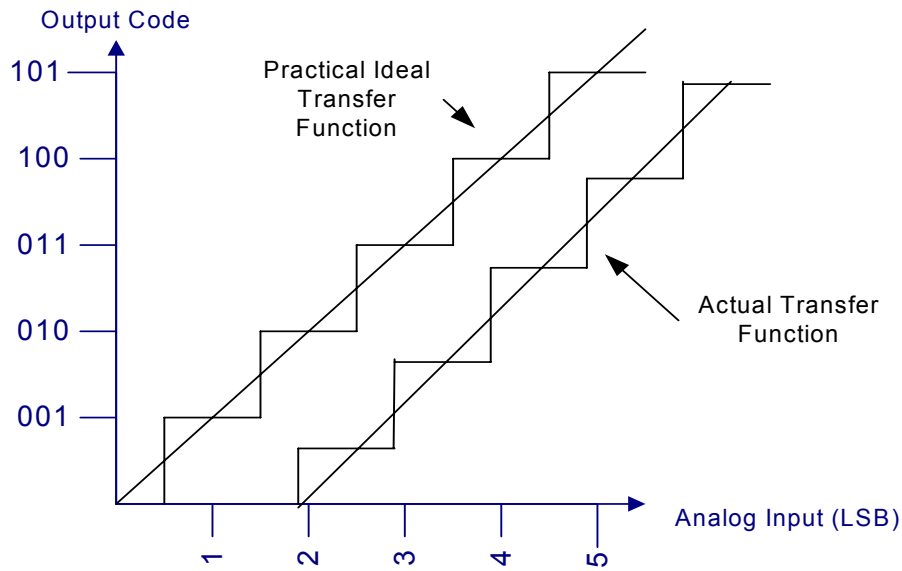


Figure 2-2. Gain and Offset Errors

In any given system, the conversion point of interest to an algorithm can be fairly far removed from the analog input of the ADC, as illustrated in **Figure 2-3**. In these cases, gain and DC voltage offsets can be introduced external to the ADC, so it is often important to take the entire system into account when analyzing the total gain and offset errors. A calibration step may be required, depending on the specific requirements of the end system. In the calibration, known precise and accurate signals are injected into the system and conversions are performed. The actual results of the conversions are compared to the expected values and the error values for gain and offset voltage can be determined. These errors can then be removed digitally in the processor or by trimming the analog circuitry before the analog input into the processor ADC.

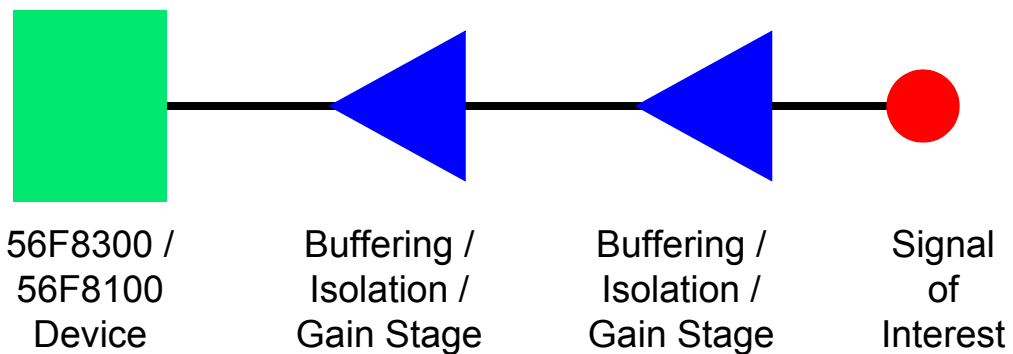


Figure 2-3. System Gain and Offset Errors

The 56F8300 and 56F8100 devices have been characterized and most of the gain and offset errors have been removed by internal compensation in the chip. A designer should analyze the gain and offset errors stated in the Data Sheet for the device being implemented and the requirements for the algorithm they are to perform, because it is possible that no adjustment is required for proper operation. If it is determined that the gain and

offset errors must be compensated for, this is a relatively straightforward proposition because these errors are linear, stable over frequency, and easily characterized. To help with this, the 56F8300 and 56F8100 ADC design was enhanced over previous parts to allow for run-time calibration of the on-chip gain and offset error. This further reduces these errors, essentially removing them from consideration, as long as the software correctly utilizes the calibration feature. This is shown as E_{GAINC} and $V_{OFFSETC}$ in the Data Sheet parameters. The implementation and use of the calibration feature is described as part of the ADC chapter in the **56F8300 Peripheral User Manual** and will not be repeated here.

Integral (INL) and differential non-linearity (DNL) errors are introduced by all ADC units, and are quite difficult to compensate and characterize. In general, a designer will need to determine the required linearity for a particular algorithm and choose the system components accordingly. As with gain and offset errors, integral and differential non-linearity errors can be introduced at any part of the system and are not limited to the ADC.

The integral and differential non-linearity errors are closely related to one another. As shown in **Figure 2-4**, the width of each conversion step of the output code sequence is not the same. This non-uniformity in step width is the source of the differential and integral non-linearity. The differential non-linearity is the difference in width from the ideal case in each step and is measured in LSBs. In the specific case shown in **Figure 2-4**, the net result of the non-linearities is an under-representation of the code sequences 011 and 101 which have a negative differential non-linearity because the width is less than the ideal 1 LSB bit width. The sequence 100 will be over-represented and has a positive differential non-linearity because the step width is greater than 1 LSB. It is possible in some ADCs that the differential non-linearity will cause output codes to be missing completely or repeated. An ADC's Monotonicity is guaranteed when the digital output codes increase, or remain the same, with increasing analog input voltage. Monotonicity is guaranteed in the 56F8300 and 56F8100 components. A maximum differential non-linearity of one 1 LSB or less also ensures a monotonic transfer function with no missing or repeated codes. All 56F8300 and 56F8100 components have a maximum differential non-linearity of 1 LSB or less.

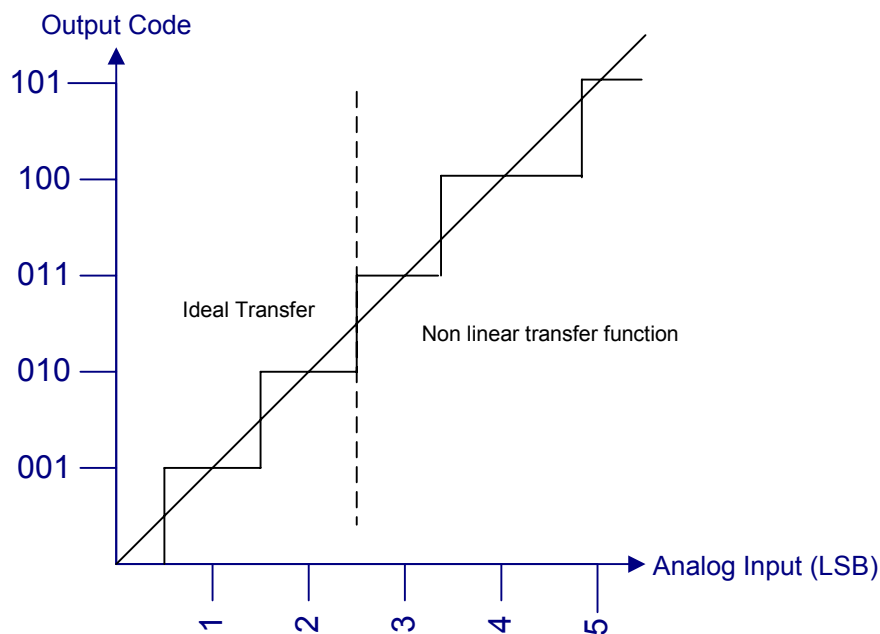


Figure 2-4. Non-linear Static Errors

Integral non-linearity is the summation of the previous differential non-linearity errors at any given point. In the 56F8300 and 56F8100 devices, integral non-linearity is specified by using test equipment to determine the actual transfer function of the ADC, then performing a linear regression to produce a best-fit straight line for the actual transfer function. When the integral non-linearity is measured, the gain and offset errors are nullified. The integral non-linearity is specified in LSBs of the conversion code outputs, so a specification of ± 3 LSBs means that at any given analog input, the summation of previous differential errors produces an output code where the error from the ideal is within the range of ± 3 output codes. The maximum specification for the integral non-linearity is the point of greatest distance of the best-fit straight line transfer function from the ideal transfer function and is again expressed in LSBs.

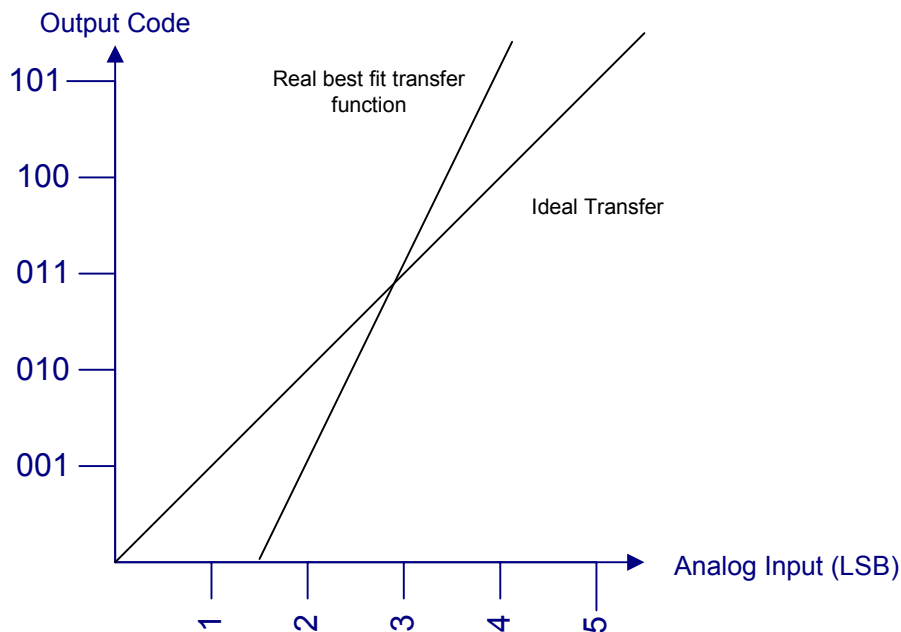


Figure 2-5. Integral Non-linearity

2.3 Dynamic Errors

In addition to the static error specifications, other specifications are commonly given that take into account dynamic error sources. This section reviews a few that are specified in the 56F8300 and 56F8100 Data Sheets.

In the Data Sheet, the dynamic errors are characterized by the Total Harmonic Distortion (THD), the Signal-to-Noise plus Distortion (SINAD), the Spurious Free Dynamic Range (SFDR), and the Effective Number Of Bits (ENOB).

THD is the rms power in the harmonics of the signal of interest.

SINAD is the ratio of the rms signal power to the noise floor power plus the harmonic distortion.

SFDR is the decibel distance of the largest spur or harmonic noise in comparison to the signal of interest. For example, in the measurement of the specification, a signal is injected into the ADC at a frequency of 8KHz and a Fourier transformation is performed on the samples to yield the energy level as a function of frequency. The signal of interest will form the largest decibel (dB) spike. Below this will be a noise floor with several spikes or spurs occurring at specific frequencies. The SFDR is the distance in dB of the signal of interest to the largest spur.

A good overall figure of merit that takes into account the effects of the overall noise and the distortion of the signal is the Effective Number Of Bits, or ENOB. The ENOB takes into account the noise floor of the component and reflects the best achievable dynamic accuracy of the ADC. The ENOB reflects the best-case achievable noise-free number of bits. The ENOB number specifically does not include the static gain, offset, and linearity errors.

The dynamic range of an ADC refers to the decibel ratio of the smallest to the largest value that can be represented. The dynamic range of an ADC is fully dependent on the bits of resolution. The following equation calculates the dynamic range of an ADC:

$$\text{Dynamic Range} = 20 \log_{10}(2^n)$$

“n” is the number of bits of resolution

2.4 Measurement Methods

Each 56F8300 and 56F8100 component’s ADC is characterized in accordance with IEEE Std 1241-2000 for gain, offset, DNL, INL, SNR, THD, SFDR, SINAD and ENOB.

The Gain, offset, INL and DNL are performed using the code density method, which uses a noise-free sine wave. Gain and offset are calculated doing a least-squared fit from the histogram data obtained from the digitized sine wave.

3. Using the 56F8300 and 56F8100 ADC

This section explores some of the issues that must be considered to get the best performance from the ADC in your system and how to choose an appropriate 56F8300 or 56F8100 component in terms of ADC performance.

3.1 Input Impedance

An equivalent circuit for an analog input is shown in [Figure 3-1](#).

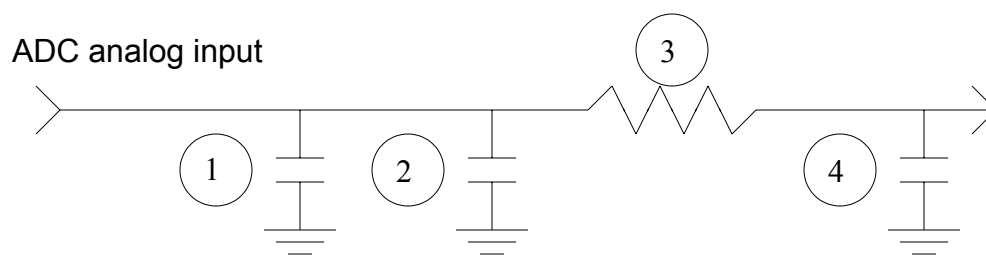


Figure 3-1. Equivalent Analog Input Circuit

1. Parasitic capacitance due to package, pin-to-pin, and pin-to-package base coupling. 1.8pf
2. Parasitic capacitance due to the chip bond pad, ESD protection devices and signal routing. 2.04pf
3. Equivalent resistance for the ESD isolation resistor and the channel select mux. 500 ohms
4. Sampling capacitor at the sample and hold circuit. 1pf

When interfacing to the ADC, one must be concerned with the ADC clock rate and the size of the sampling capacitor, which is 1pf and depicted in **Figure 3-1** as “4”. This capacitor is charged to the sampling voltage and discharged to $V_{DD} / 2$ during each ADC clock cycle. This effectively creates a switched cap implementation of a resistor that is dependent on clock rate and voltage level at the input. This switched cap equivalent resistance is effectively the input impedance to the ADC. The equivalent circuit shown in **Figure 3-1** is valid for realistic operating conditions and ADC clock rates. The circuit in **Figure 3-1** is present at any specific analog input during the time that the analog input is being converted and the analog mux is feeding the input into the appropriate sample and hold circuitry. During periods when another input is being muxed into the sample and hold circuitry and converted, or if no conversion occurs, the external circuitry will meet a very high input resistance at the analog input pin.

As an example, if the input voltage is 1 volt greater than $(V_{REFH} - V_{REFLO}) / 2$ and the ADC clock rate is 5MHz, then the ADC input impedance is:

$$i = C \, dv/dt, \text{ so } \quad i \, dt = C \, dv$$

Where:

$$dt = 1/5e+6$$

$$dv = 1 \text{ volt}$$

$$C = 1e-12$$

So:

$$i = (5e+6) (1e-12) (1) = 5e-6$$

$$R = V/I$$

So:

$$R = 1 / 5e-6 = 200K \text{ ohms}$$

The input impedance at the ADC clock rate of 5MHz can be as low as 200K ohms. A typical input configuration for driving the ADC is depicted in **Figure 3-2**. Using this input configuration, if one wants to maintain the signal amplitude to within 10 bits or more of its original amplitude, at the anti-aliasing capacitor C_a , then the source impedance of what's driving the ADC must be less than:

$$R_s / (R_s + R_i) = 1 / (2^{+10})$$

Source resistance of the driver = R_s

Input resistance of the ADC = R_i

Where:

$$R_i = 200K \text{ ohms}$$

$$1 / (2^{+10}) = .0009766$$

Solving for R_s results in:

$$R_s = 200 \text{ ohms}$$

If the ADC clock rate were changed to 1MHz, then the source impedance of what's driving the ADC must be less than 1K ohms to maintain an effective input signal that's within 10 bits of its original amplitude.

Increasing the source impedance introduces gain error, not a loss, in accuracy. As the source impedance of the driver goes up, the overall transfer gain from the buffer to the output of the ADC will go down. As shown in the previous example, this is also dependent on the ADC clock rate. In other words, with a fixed source resistance as the ADC clock rate goes up, the overall transfer gain from the buffer to the output of the ADC will go down.

Figure 3-2 shows a typical circuit for the input of the ADC analog input.

$$R_s = R_o + R_a$$

R_o = Output resistance of input buffer

R_a = Anti-aliasing circuit resistance

C_a = Anti-aliasing circuit capacitance

The value of the anti-aliasing capacitor, C_a , does not affect the transfer gain or accuracy of the ADC. However, it does limit the bandwidth of the input signal for anti-aliasing considerations.

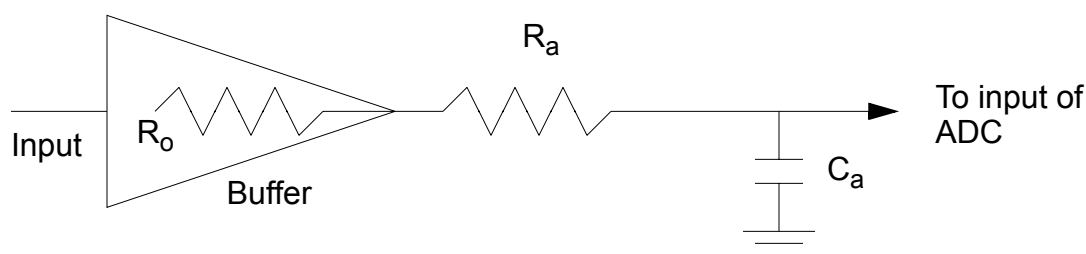


Figure 3-2. Typical Input Configuration

3.2 Practical ADC Calibration

It's recommended that a user implements an auto-calibration network on his board, so that he can find the gain and offset for the specific ADC that's used, in addition to the errors introduced by the aliasing and buffering circuitry. A simple calibration network consists of an array of matched precision resistors, as shown in **Figure 3-3**.

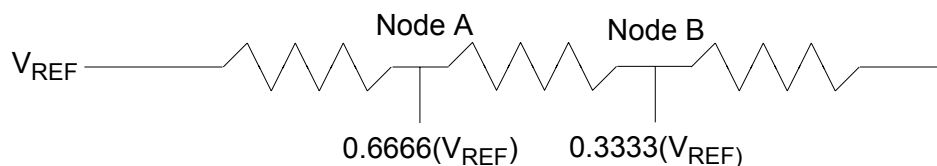


Figure 3-3. Example Calibration Circuitry

Calibration is typically used to remove the effects of gain and offset from a specific reading. The transfer function relating an ideal code to a measured code that has gain and offset is shown in the following equation:

$$Y = m * X + b$$

Where:

X is the measured code corresponding to a specific input voltage

m is the transfer gain of the ADC

Y is the ideal code corresponding to this input voltage

b is the code offset

The transfer equations for the resulting conversion code for node A and node B are:

$$Y_a = m * X_a + b$$

and

$$Y_b = m * X_b + b$$

Using these two equations, the ADC transfer gain is:

$$m = (Y_a - Y_b) / (X_a - X_b)$$

The offset code is:

$$b = Y_a - m * X_a$$

or

$$b = Y_b - m * X_b$$

Note: Using either equation should result in the same answer.

Finally, the resulting code that's been corrected for gain and offset error, for any input voltage, is:

$$Y = m * X + b$$

To obtain an acceptable level of accuracy when converting the calibration node voltages, make multiple measurements, then average the result. Also, the resistor values in the calibration network should be 200 ohms or less when operating the ADC at 5MHz. The resistor values can double in size when the ADC clock frequency is halved, so for an ADC clock frequency of 1MHz during calibration, the resistor value in the calibration network could be as large as 1K ohms.

Example:

The voltages at nodes A and B were converted by the ADC and found to be 2570 and 1273, respectively. The ideal codes that should have resulted from the conversion of the voltage at nodes A and B are:

$$Y_a = (2/3) * 4095 = 2730$$

and

$$Y_b = (1/3) * 4095 = 1365$$

Therefore, the transfer gain, "m", is:

$$m = (Y_a - Y_b) / (X_a - X_b) = (2730 - 1365) / (2570 - 1273) = 1365 / 1297 = 1.0524$$

The code offset, "b", is: $2730 - (2570) * 1.05 = 25.3$

When this ADC is converting an input signal that's at mid-scale, $(V_{REFH} - V_{REFLO}) / 2$, it produces a code of 1922. Correcting this result using the offset and gain derived previously yields:

$$Y = m * X + b = 1.0524 * 1922 + 25 = 2048$$

Using this calibration method corrects for the effects of gain and offset.

3.3 Optimizing Linearity and ENOB

To achieve optimal results in ENOB terms, all sources of coupled noise should be minimized. These can be from sources internal or external to the chip.

The ADC has operational sweet spots where the digital noise from its internal environment has a minimal coupling effect. These sweet spots occur when the ADC clock prescaler is set to values of 4, 9 or 14. If not operating at one of these sweet spots, the accuracy of the ADC typically drops by 1/2 of a bit.

In addition to minimizing the internal noise sources, care must be taken in design of the external noise coupling. To achieve optimal results, the board should have separate analog and digital power and ground planes and very clean V_{REF} signals. Using these methods, the best practically achievable ENOB will be as stated in the Data Sheet.

Since noise is modeled as a Gaussian distribution, the noise power can be lowered through a scheme of oversampling the input and averaging the samples. In the averaging process, noise spikes will tend to cancel each other out, lowering the overall noise power and thus increasing the ENOB. SNR improvement is proportional to the amount of oversampling and averaging performed.

The INL peaks at the minimum or maximum codes and is minimized between the 10% to 90% code range. If the user wishes to maximize accuracy, he should limit the input swing to be within the 10% to 90% range from V_{REFH} to V_{REFLO} . The INL measurement in the Data Sheets is measured using the 10% to 90% range.

3.4 Choosing the Right Device

The ADC is a System-on-Chip (SoC) peripheral that is on the IPBus of the chip. The ADC peripheral is identical in all 56F8300 and 56F8100 components, but the performance of the ADC is different across the components. The ADC's performance is affected by the physical location of the peripheral in the silicon. These layout considerations affect the amount of coupled noise and resistive loads that directly impact the noise figures and the linearity.

All members of this family of devices contain the on-chip calibration feature, which can remove the effects of gain and offset error. Note that this feature is limited to correcting for on-chip errors and cannot compensate for off-chip effects.

3.5 Using the ADC's Operational Modes

This section is not intended to replace the data published in the **56F8300 Peripheral User Manual**, but to add clarification. The reader must use the information located in the manual to fully understand this section.

First, consider samples in the ADC and how they relate to the scan modes. ADC inputs can be configured for either single-ended or differential mode and a user can mix single-ended and differential inputs. Samples may be taken either one at a time (sequential mode) or two at a time (simultaneous mode). The mapping of input pin to sample number is arbitrary, with one exception: the same input pin cannot be used for both sides of a simultaneous sample pair. For example: AN2/AN5 is a valid sample pair, but not AN2/AN2.

The ADC captures/converts up to eight samples at a time in a "scan". There are several different scan modes:

- 1) **Once (single)**: The ADC starts to sample just one time using the START bit or by a sync pulse. This mode must be re-armed by writing to the ADCR1 register again before capturing another scan.
- 2) **Triggered**: Sampling begins with every recognized START command or sync pulse
- 3) **Loop**: The ADC continuously take samples as long as power is on and the STOP bit has not been set

Each of the preceding sequences can be coupled with sequential or simultaneous modes, enabling a total of six scan modes:

- Once Sequential
- Once Simultaneous
- Loop Sequential
- Loop Simultaneous
- Triggered Sequential
- Triggered Simultaneous

One of these six configurations is coded in the ADC Mode Control bits (SMODE[2:0]) of the ADC Control Register 1 (ADCR1).

The scan modes can be triggered in several ways:

- Directly under software control
- By the output of a quadrature timer
- By a PWM reload event

The PWM reload event is first routed through a Quadrature Timer that can be used to provide an arbitrary delay before causing the ADC convert command. This is discussed in greater detail in application note AN1933/D (See [References](#)), which offers examples pertaining only to the 56F80x devices.

To set up a periodic conversion at a specific rate, the triggered mode can be used in conjunction with one of the timers to provide the conversion start or sync pulse. An interrupt can be generated at the conclusion of the conversion. At this point, the samples can be and should be read from the ADC result registers. These registers are not buffered, so the samples must be read before the next conversion writes out to the result registers.

The ADC can also be set up in a continuous loop mode, where a trigger to start conversion is not required. But the end of conversion cannot be set to cause an interrupt in this mode, so the software must poll the ADC status register to know when the conversion has been completed.

Because the ADC peripheral has an internal pipeline, the first conversion requires 8.5 ADC clock cycles and each additional conversion requires 6 ADC clock cycles. The 2.5 clock cycle difference is the time required to fill the pipeline. In the triggered modes or the once mode, the pipeline must be filled whenever a sync pulse or START command is issued. In the loop mode, the pipeline is filled only once at the very beginning of the process.

For example, the ADC is set up in sequential triggered mode with only the first four samples enabled. The number of clock cycles required for the conversion follows:

$$\begin{aligned}
 N_{\text{clk}} &= (\text{Sample0 conversion}) + (\text{Sample1 conversion}) + (\text{Sample2 conversion}) + (\text{Sample3 conversion}) \\
 &= (8.5) + (6.0) + (6.0) + (6.0) = 26.5 \text{ ADC clock cycles}
 \end{aligned}$$

The samples which are not to be converted must be disabled in the ADC sample disable register. Any samples that are not disabled will be converted and will add to the total ADC conversion time.

The ADC conversion time calculated previously is only the amount of time the ADC requires to perform the conversion. But in a real system, the samples must be removed from the result registers using software, typically run from an ISR associated with the end of conversion interrupt.

As an example of this constraint, assume a system running on a 56F8300 component, with the ADC in a simultaneous triggered mode using a timer set to provide start pulses at a 100k sample rate (10 μ s interval); the ADC clock set for 5MHz; the processor running at 60 MIPS from internal Flash; and an ISR at the end of conversion interrupt takes the samples and buffers them.

The time to perform the conversion is:

$$\begin{aligned} T_{\text{conv}} &= \text{Time to perform conversion} \\ &= (8.5 \text{ ADC clock cycles}) * (\text{time per cycle}) = (8.5) * (0.2\text{e-}6) \\ &= 1.7\mu\text{s} \end{aligned}$$

$$\begin{aligned} T_{\text{get samples}} &= \text{Time available to get samples} \\ &= T_{\text{trig rate}} - T_{\text{conv}} + (\text{Time for 6 ADC clock cycles}) \\ &= 10\mu\text{s} - 1.7\mu\text{s} + (6 * 0.2\text{e-}6) \\ &= 10\mu\text{s} - 1.7\mu\text{s} + 1.2\mu\text{s} \\ &= 9.5\mu\text{s} \end{aligned}$$

At the beginning of the second conversion, the result registers still contain the previous data, which will not be overwritten for at least 6 ADC clock cycles.

$$\begin{aligned} N_{\text{instr}} &= \text{Number of instructions cycles left for software to retrieve samples} \\ &= (T_{\text{get samples}}) / (T_{\text{instr}}) \\ &= 9.5\mu\text{s} / (1 / 60\text{MHz}) = 570 \text{ instructions} \end{aligned}$$

This example indicates that for high sampling rates, the processor may have difficulty keeping up with the ADC samples, especially if there is a significant processing load in handling this data and/or there are other peripherals that must also be serviced. A thorough system analysis is recommended to make sure real-time issues are not encountered.

4. Conclusion

The 56F8300 and 56F8100 families include parts with a very powerful and accurate on-board ADC peripheral. This document has discussed in detail the Data Sheet parameters, what they measure, and how they are measured. It has discussed at a high level the performance characteristics across the family of components, but the reader should consult the Data Sheet for the component being implemented to find the latest performance characteristics. Additionally, it has explored ways to achieve optimal performance from the ADC, as well as some of the modes of operation and performance items to consider.

5. References

1. *56F8300 Peripheral User Manual*, MC56F8300UM, Freescale Semiconductor
2. *Synchronization of On-Chip Analog-to-Digital Converter on DSP56F80x DSPs*, AN1933, Freescale Semiconductor

Appendix A 56F8300 and 56F8100 ADC Internal Structure

This appendix describes the internal structure of the 56F8300 and 56F8100 ADC peripheral. The cyclic ADC designed for the 56F8300 and 56F8100 components consists of a dual-cyclic ADC core, dual interface function and an analog input select mux. The input select mux routes the analog inputs of choice to either ADC#0 or ADC#1. While in the simultaneous mode, both converters are used in a synchronous fashion for converting two signals at the same time. The interface function that follows the input select mux samples the single-ended or differential input signal and converts it to a scaled differential within the operational range of the ADC. The ADC core consists of two Redundant Signed Digit (RSD) sections that resolve one bit of the Analog-to-Digital conversion during each half ADC sample clock cycle. **Figure A-1** depicts a top-level block diagram of the 56F8300 and 56F8100 components' cyclic converter.

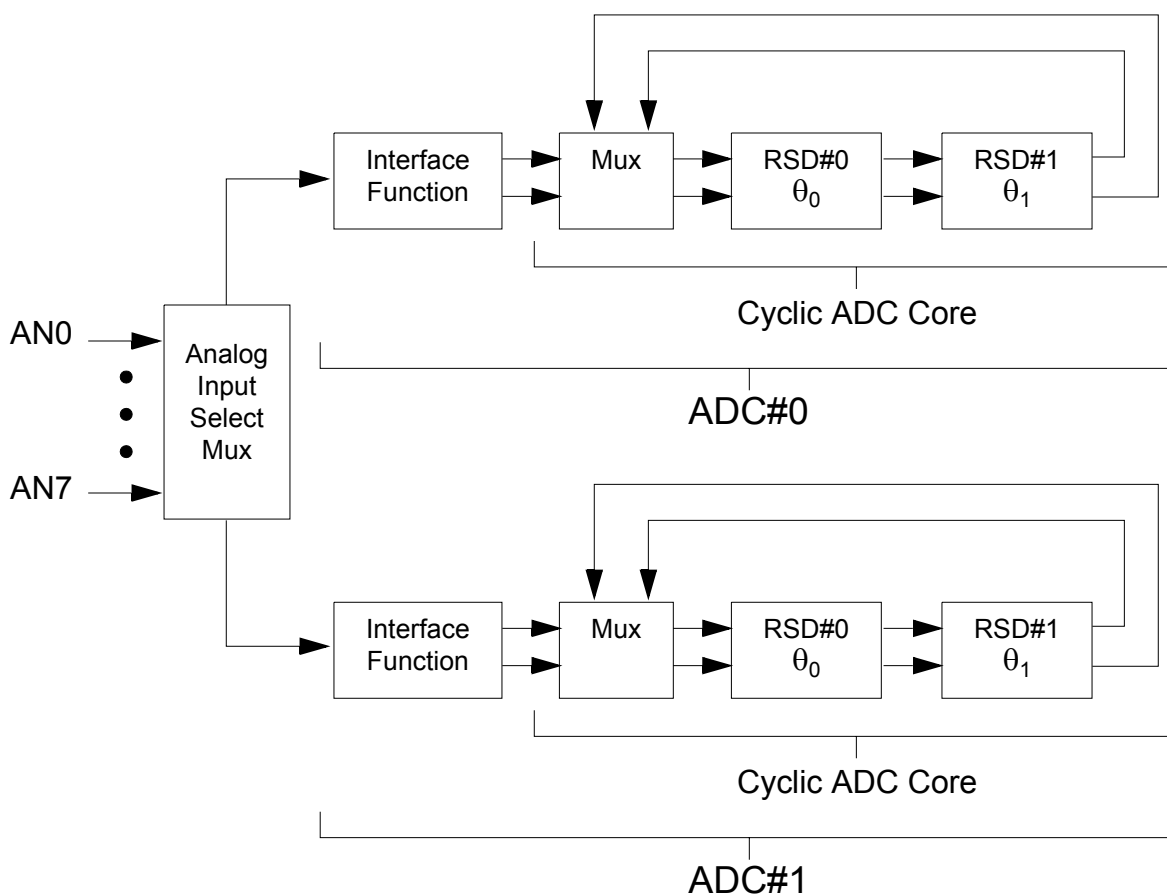


Figure A-1. Cyclic ADC Top-Level Block Diagram

In most general-purpose applications, the analog signal that's to be converted by the ADC can have values ranging from V_{REFLO} to V_{REFH} . This signal is selected via the input select mux, depicted in **Figure A-2**, sampled by the interface function, and presented to the ADC core.

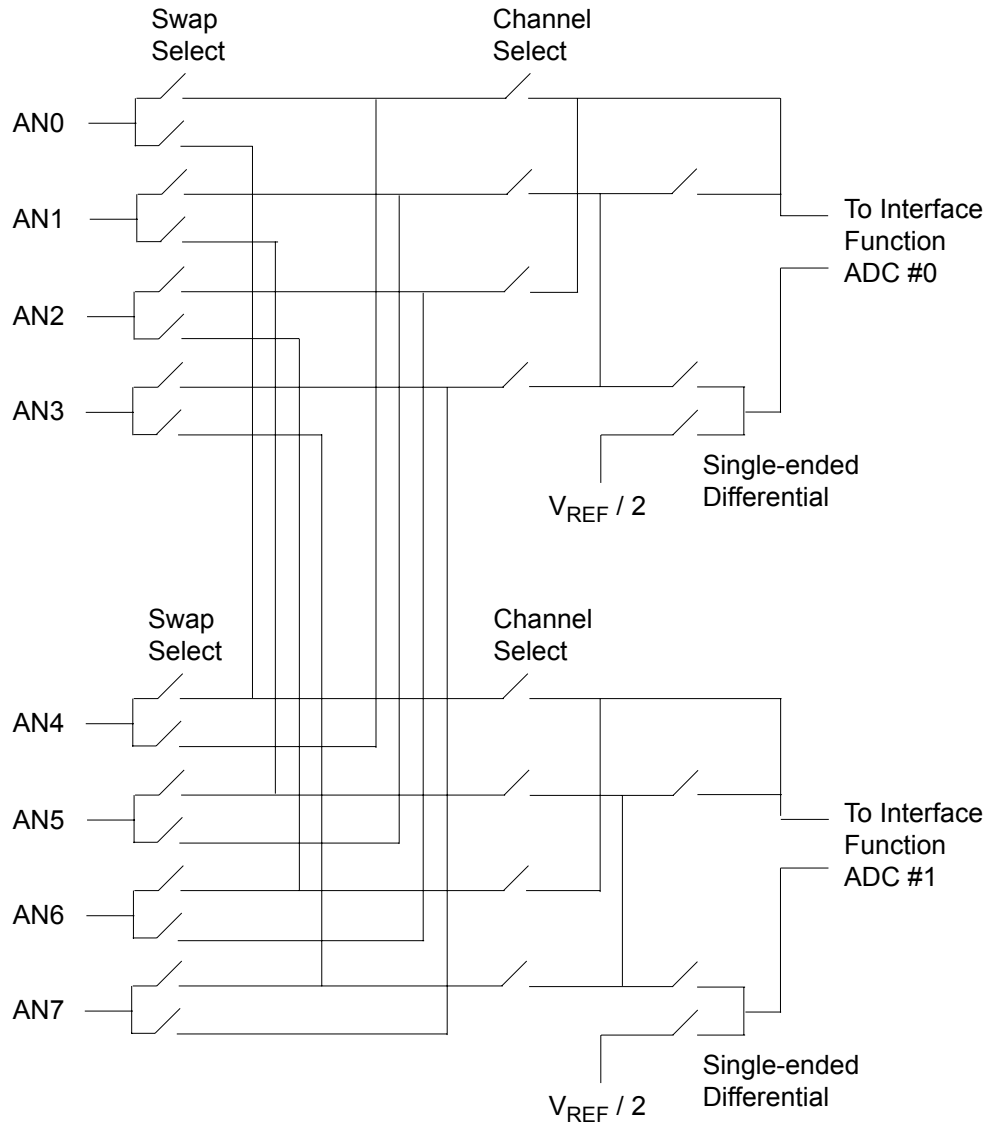


Figure A-2. Input Select Mux

For noise isolation reasons, the ADC core in turn uses differential signaling that's within the operational range of its sub-functions, which is less than the supply voltage and more than ground potential. The purpose of the interface functions is to convert the full range, single-ended or differential signal into a scaled differential signal during the sampling process of Analog-to-Digital conversion. A functional diagram of the interface function is depicted in [Figure A-3](#).

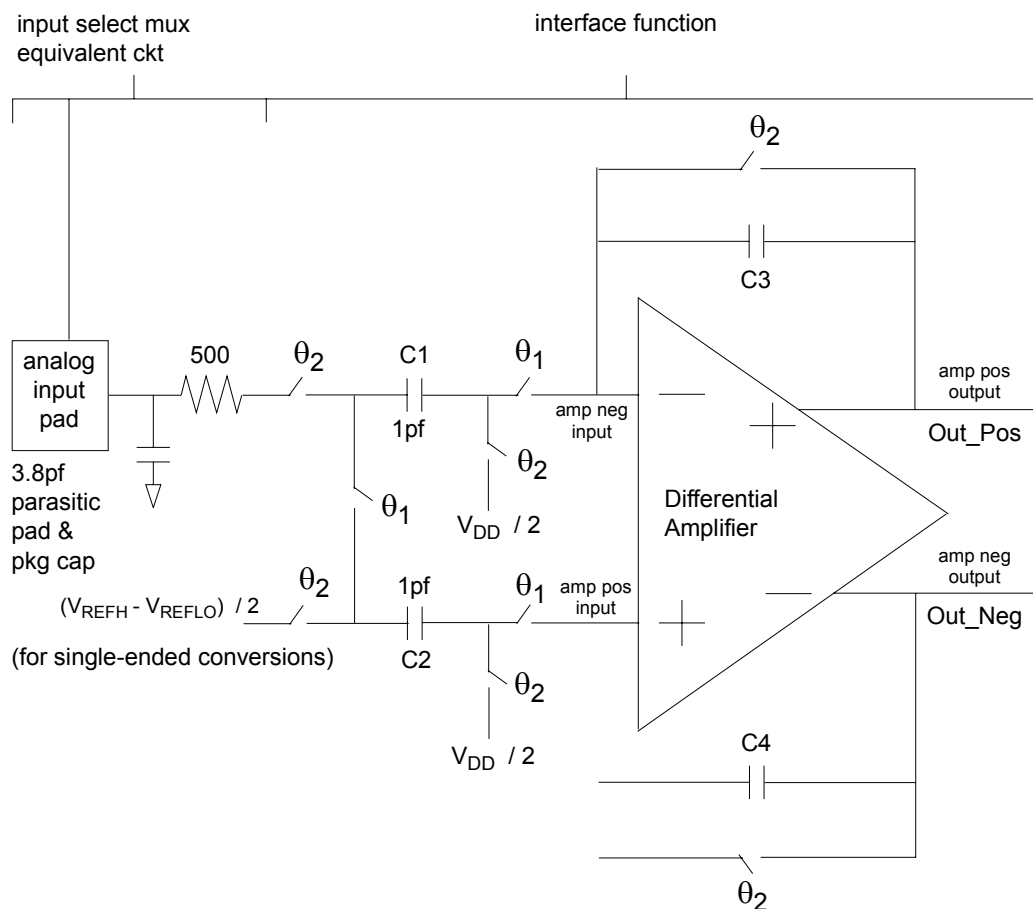


Figure A-3. Interface Function Functional Block Diagram

The interface function depicted in [Figure A-3](#) works on the principle of charge conservation and distribution. The switches labeled θ_2 are closed during the first half of a clock cycle and those labeled θ_1 are closed during the second half of a clock cycle. Also, all capacitors are of the same size, typically in the picofarad range. For a single-ended signal, during θ_2 , the input signal and $V_{REF} / 2$ are sampled onto capacitors C1 and C2. During θ_1 , capacitors C1 and C2 are shorted together and charge is redistributed between C1 and C2 so that the voltage on C1 and C2 becomes equal. If the input signal were larger than $V_{REF} / 2$, the voltage on C1 is reduced and the voltage on C2 is increased during θ_1 . In response to this charge movement, the voltage at Out_Pos moves up to replace the charge being taken from C1. Likewise, the voltage at Out_Neg moves down to negate the charge increase that occurs on C2. Because all capacitors are of the same size, the voltage change that occurred at C1 and C2 is the same at Out_Pos and Out_Neg, resulting in a differential signal. A functional block diagram of an RSD function contained in the ADC core is depicted in [Figure A-4](#).

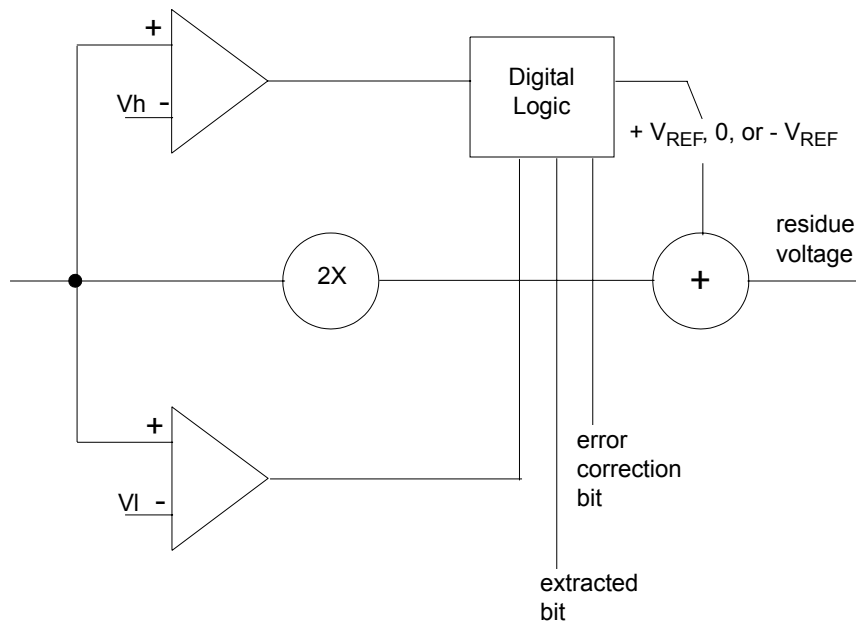


Figure A-4. Redundant Signed Digit, RSD Functional Block Diagram

A detailed description of how the RSD stage works can be found in reference manuals addressing the functionality of the cyclic Analog-to-Digital converter. A Robertson diagram, depicting the voltage in to residue out and data bits out, is found in [Figure A-5](#).

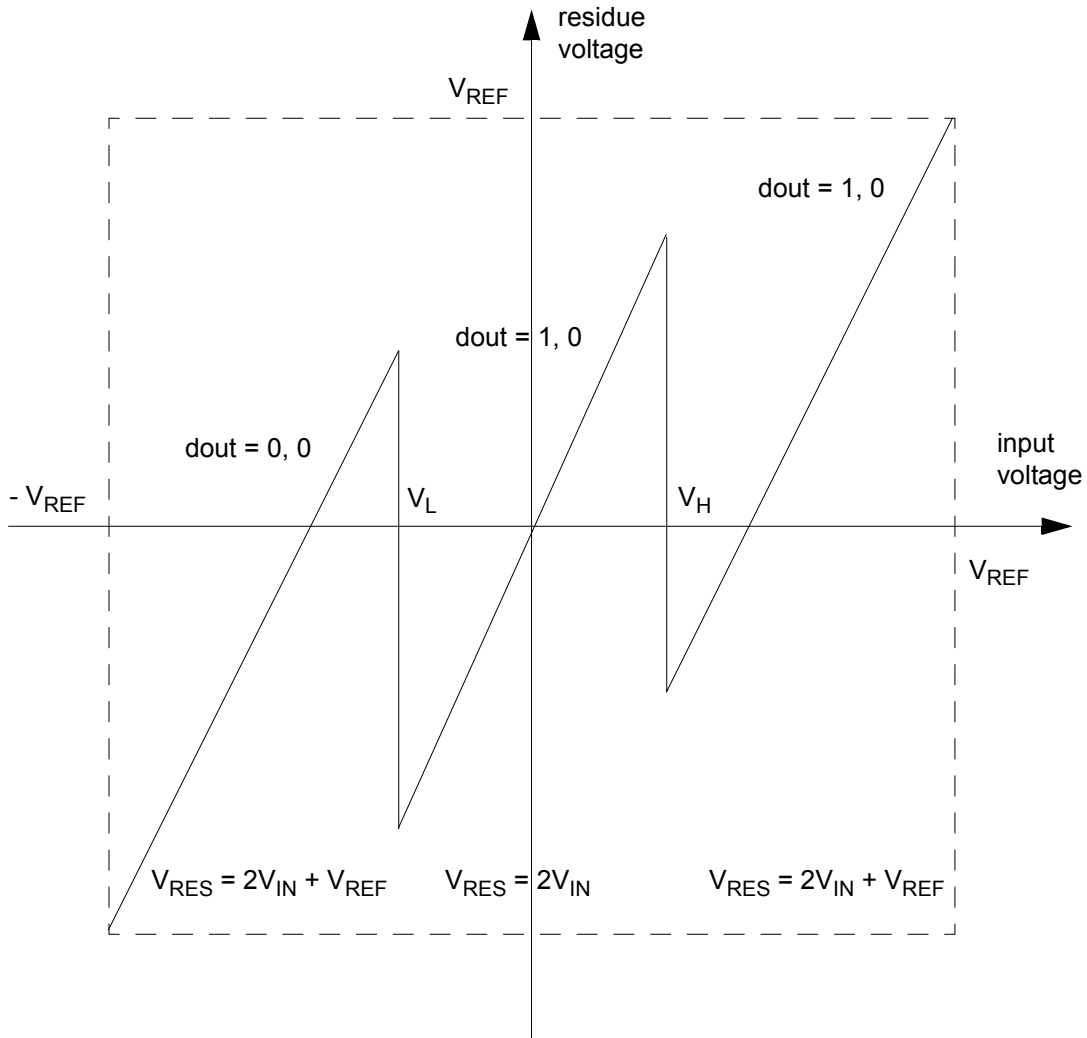


Figure A-5. Robertson Diagram

Once the chosen analog signals have been selected, the ADC conversion starts with the sync signal going high, as depicted in **Figure A-6**. The input signals to be converted are sampled onto capacitors C1 and C2, shown in **Figure A-3**, during θ_2 in preparation for conversion during θ_1 . During θ_1 , the sampled signals are converted to scaled differential signals and passed into the first RSD block, shown in **Figure A-1**, where a data bit is extracted and its capacitors are charged in preparation for calculating the residue. The residue from the first RSD stage is then calculated on θ_2 and passed into the second RSD stage, where another data bit is extracted and its capacitors are charged in preparation for calculating the residue. The residue, in the second stage, is then calculated and passed back into the first RSD stage, during θ_1 , where another bit is extracted and preparations are made for calculating the residue. The resulting residue continues to be passed back and forth between the two RSD stages until the required number of bits have been extracted. The signaling diagram, shown in **Figure A-6**, is for a 12-bit extraction.

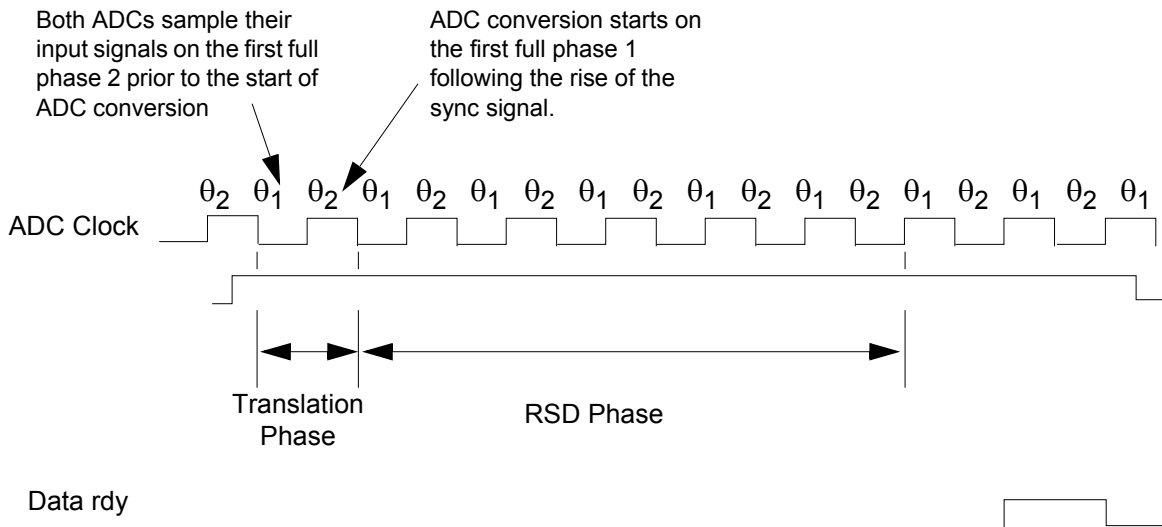


Figure A-6. ADC Signaling



How to Reach Us:

Home Page:

www.freescale.com

E-mail:

support@freescale.com

USA/Europe or Locations Not Listed:

Freescale Semiconductor
Technical Information Center, CH370
1300 N. Alma School Road
Chandler, Arizona 85224
+1-800-521-6274 or +1-480-768-2130
support@freescale.com

Europe, Middle East, and Africa:

Freescale Halbleiter Deutschland GmbH
Technical Information Center
Schatzbogen 7
81829 Muenchen, Germany
+44 1296 380 456 (English)
+46 8 52200080 (English)
+49 89 92103 559 (German)
+33 1 69 35 48 48 (French)
support@freescale.com

Japan:

Freescale Semiconductor Japan Ltd.
Headquarters
ARCO Tower 15F
1-8-1, Shimo-Meguro, Meguro-ku,
Tokyo 153-0064, Japan
0120 191014 or +81 3 5437 9125
support.japan@freescale.com

Asia/Pacific:

Freescale Semiconductor Hong Kong Ltd.
Technical Information Center
2 Dai King Street
Tai Po Industrial Estate
Tai Po, N.T., Hong Kong
+800 2666 8080
support.asia@freescale.com

For Literature Requests Only:

Freescale Semiconductor Literature Distribution Center
P.O. Box 5405
Denver, Colorado 80217
1-800-441-2447 or 303-675-2140
Fax: 303-675-2150
LDCForFreescaleSemiconductor@hibbertgroup.com

Information in this document is provided solely to enable system and software implementers to use Freescale Semiconductor products. There are no express or implied copyright licenses granted hereunder to design or fabricate any integrated circuits or integrated circuits based on the information in this document.

Freescale Semiconductor reserves the right to make changes without further notice to any products herein. Freescale Semiconductor makes no warranty, representation or guarantee regarding the suitability of its products for any particular purpose, nor does Freescale Semiconductor assume any liability arising out of the application or use of any product or circuit, and specifically disclaims any and all liability, including without limitation consequential or incidental damages. "Typical" parameters that may be provided in Freescale Semiconductor data sheets and/or specifications can and do vary in different applications and actual performance may vary over time. All operating parameters, including "Typicals", must be validated for each customer application by customer's technical experts. Freescale Semiconductor does not convey any license under its patent rights nor the rights of others. Freescale Semiconductor products are not designed, intended, or authorized for use as components in systems intended for surgical implant into the body, or other applications intended to support or sustain life, or for any other application in which the failure of the Freescale Semiconductor product could create a situation where personal injury or death may occur. Should Buyer purchase or use Freescale Semiconductor products for any such unintended or unauthorized application, Buyer shall indemnify and hold Freescale Semiconductor and its officers, employees, subsidiaries, affiliates, and distributors harmless against all claims, costs, damages, and expenses, and reasonable attorney fees arising out of, directly or indirectly, any claim of personal injury or death associated with such unintended or unauthorized use, even if such claim alleges that Freescale Semiconductor was negligent regarding the design or manufacture of the part.



Freescale™ and the Freescale logo are trademarks of Freescale Semiconductor, Inc. All other product or service names are the property of their respective owners. This product incorporates SuperFlash® technology licensed from SST.

© Freescale Semiconductor, Inc. 2005. All rights reserved.