

Programming Audio Applications in the i.MX21 MC9328MX21

by: Alfred Sin

1 Abstract

The MC9328MX21 (i.MX21) processor has two dedicated peripherals for audio applications: Serial Synchronous Interface (SSI) and Digital Audio MUX (AUDMUX). A brief description of these two peripherals follows:

Synchronous Serial Interfaces (SSI):

- Supports generic SSI interfaces for time-slot based communication with synchronous voice codecs
- Time-slot mode supports up to 4 channels for communication among devices Bluetooth voice port, voice codecs, and baseband audio ports
- Supports Philips standard Inter-IC Sound (I²S) bus for external digital audio chip interface at 44.1 kHz and 48 kHz
- AC'97 Host Controller mode with support for 2 audio channels supporting fixed and variable rate transfers
- Used in conjunction with the Digital Audio Mux (AUDMUX) module to provide flexible audio and voice routing options

Contents

1 Abstract	1
2 SSI and AUDMUX Port Arrangement	2
3 Audio Application Scenarios	3
4 Conclusion	11
5 References	11
6 Revision History	12



Digital Audio Mux (AUDMUX):

- Supports 2 internal hosts, 1 external host, and 3 external peripheral interfaces
- Flexible audio, voice, and data routing without host processor intervention
- Built-in support for network mode connection of host and peripheral interfaces
- Separate and simultaneous audio paths from hosts to peripherals
- External 4-wire connection to synchronous devices, audio, and voice codecs

In this application note, typical scenarios of audio applications will be discussed. The use of SSI and AUDMUX in these audio applications will also be examined.

2 SSI and AUDMUX Port Arrangement

The i.MX21 processor has two SSI modules. Each SSI module is capable of supporting synchronous (4-wire) or asynchronous (6-wire) serial communication. The AUDMUX, has two internal host ports, one external host port, and three external peripheral ports. The Host Port 1 (HP1) and Host Port 2 (HP2) are connected to the internal SSI1 and SSI2 respectively. The Host Port 3 (HP3) is mapped to the i.MX21 external SAP I/O port. The Peripheral Port 1 (PP1), Peripheral Port 2 (PP2), and Peripheral Port 3 (PP3) are mapped to the i.MX21 processor’s external SSI1 I/O port, external SSI2 I/O port, and external SSI3 I/O port respectively. [Figure 1](#) illustrates this arrangement.

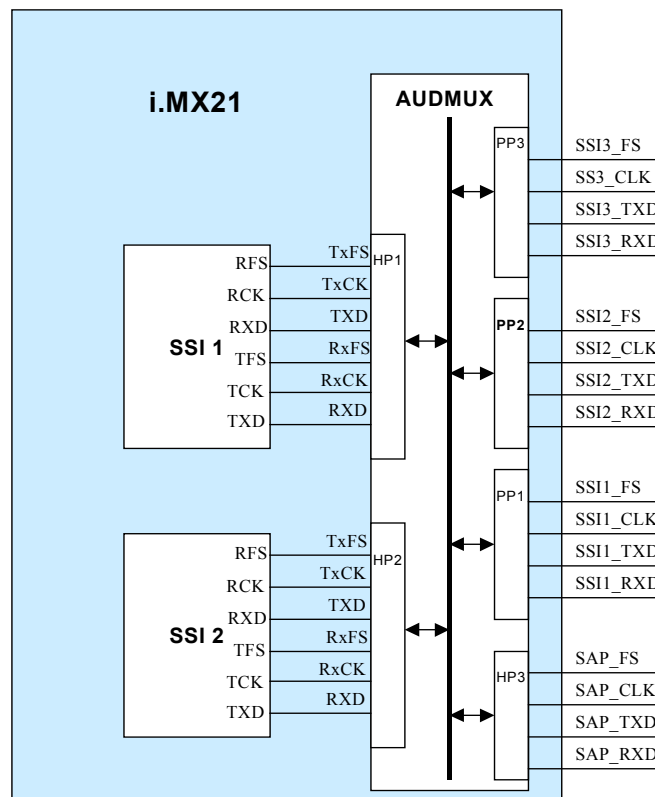


Figure 1. i.MX21 SSI and AUDMUX Port Arrangements

3 Audio Application Scenarios

3.1 Interfacing with an Audio Codec

A typical audio application scenario is to playback and record audio via an external codec. The codec can be configured as the SSI master which provides the bit clock and frame sync to the i.MX21 processor's SSI. Since i.MX21 is capable of performing full-duplex operation (record and playback) at different sampling rates, the i.MX21 SSI needs to be programmed as an asynchronous SSI slave mode. Figure 2 shows the connection between i.MX21 and an external codec. Note that two I/O ports (SSI2 and SSI3 in this example) are required to perform the asynchronous operation.

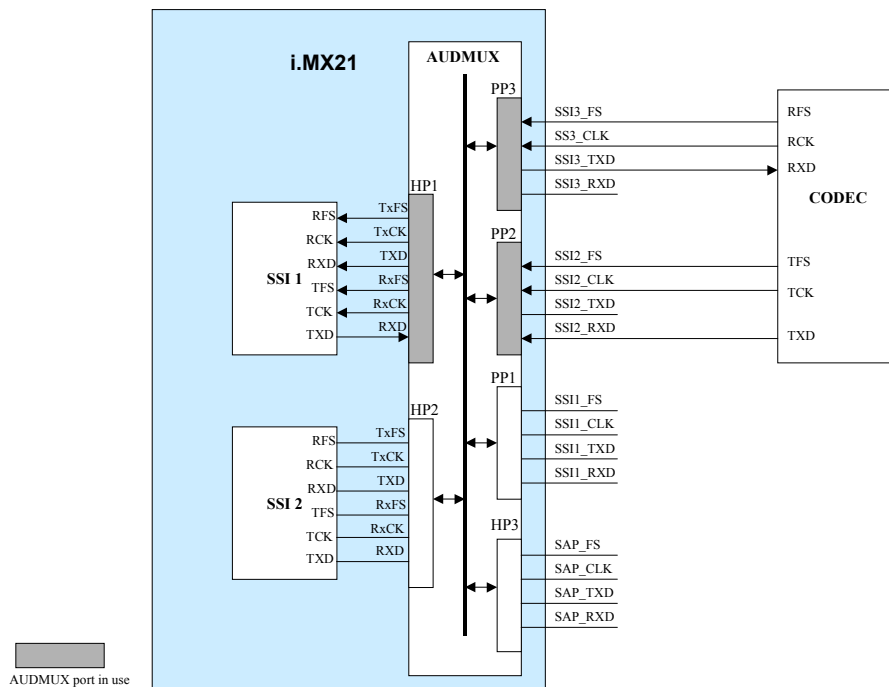


Figure 2. i.MX21 and Audio Codec Connection Example

Given the configuration shown in Figure 2, set the corresponding AUDMUX ports as indicated in Table 1 through Table 3.

Table 1. Host Port Configuration Register 1 (HPCR1 - \$10016000)

Name	Settings	Comments
TFSDIR	1	TxFS is output
TCLKDIR	1	TxCLK is output
TFCSEL	4	TxFS and TxCLK from Peripheral Port 2
RFSDIR	1	RxFS is output
RCLKDIR	1	RxCLK is output
RFCSEL	5	RxFS and RxCLK from Peripheral Port 3
RXDSEL	4	Receive data from Peripheral Port 2

Table 1. Host Port Configuration Register 1 (HPCR1 - \$10016000) (continued)

Name	Settings	Comments
SYN	0	Asyn Mode
TXRXEN	0	No switch
INMEN	0	Disable
INMASK	0	Ignore when INMEN = 0

Table 2. Peripheral Port Configuration Register 2 (PPCR2 - \$10016014)

Name	Settings	Comments
TFSDIR	0	TxFs is input
TCLKDIR	0	TxCLK is input
TFCSEL	0	Ignore when TxFS/TxCLK are input
RFSDIR	0	Ignore
RCLKDIR	0	Ignore
RFCSEL	0	Ignore
RXDSEL	0	Ignore
SYN	1	Syn mode
TXRXEN	0	No switch

Table 3. Peripheral Port Configuration Register 3 (PPCR3 - \$10016018)

Name	Settings	Comments
TFSDIR	0	TxFs is input
TCLKDIR	0	TxCLK is input
TFCSEL	0	Ignore when TxFS/TxCLK are input
RFSDIR	0	Ignore
RCLKDIR	0	Ignore
RFCSEL	0	Ignore
RXDSEL	0	Receive from Host Port 1
SYN	1	Syn mode
TXRXEN	0	No switch

3.2 Interfacing with an AC'97 Codec

When connecting i.MX21 with an AC'97 codec, the external AC'97 typically will provide the serial bit clock (12.288 MHz) to the i.MX21 SSI. Based on this serial bit clock, i.MX21 will generate the appropriate frame sync to the AC'97 codec and the SSI will be configured as an SSI synchronous slave operation. [Figure 3](#) shows the connection between i.MX21 and an AC'97 codec.

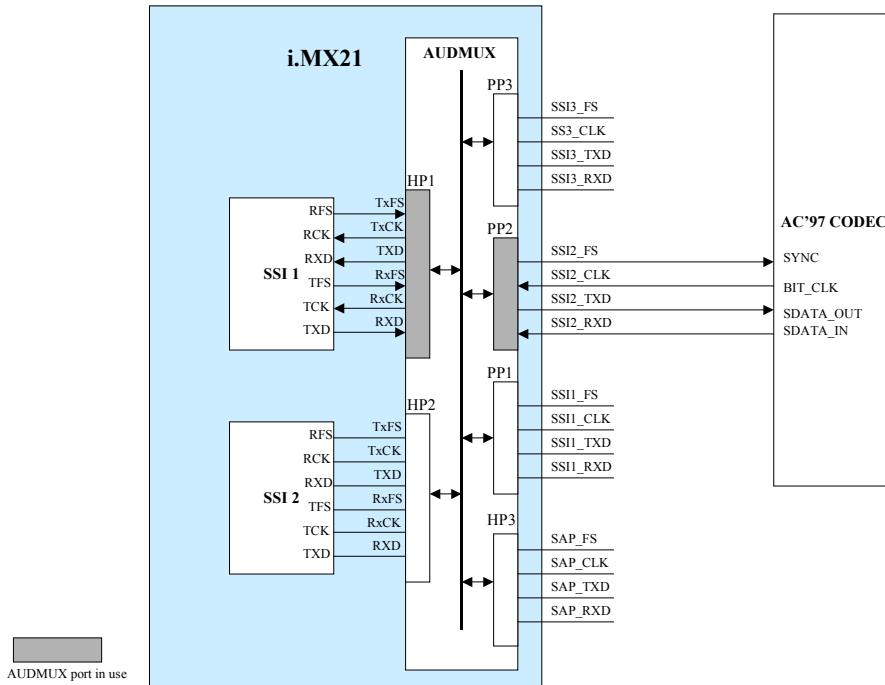


Figure 3. i.MX21 and AC'97 Codec Connection Example

Given the configuration shown in [Figure 3](#), set the set the corresponding AUDMUX ports as indicated in [Table 4](#) and [Table 5](#).

Table 4. Host Port Configuration Register 1 (HPCR1 - \$10016000)

Name	Settings	Comments
TFSDIR	0	TxFS is input
TCLKDIR	1	TxCLK is output
TFCSEL	4	TxFS and TxCLK from Peripheral Port 2
RFSDIR	0	Ignore
RCLKDIR	0	Ignore
RFCSEL	0	Ignore
RXDSEL	4	Receive data from Peripheral Port 2
SYN	1	Syn Mode
TXRXEN	0	No switch
INMEN	0	Disable
INMASK	0	Ignore when INMEN = 0

Table 5. Peripheral Port Configuration Register 2 (PPCR2 - \$10016014)

Name	Settings	Comments
TFSDIR	1	TxFs is output
TCLKDIR	0	TxCLK is input
TFCSEL	0	TxCLK/TxFs from Host Port 1
RFSDIR	0	Ignore
RCLKDIR	0	Ignore
RFCSEL	0	Ignore
RXDSEL	0	Receive from Host Port 1
SYN	1	Syn mode
TXRXEN	0	No switch

3.3 Interfacing i.MX21 to a Baseband Processor, Codec, and Bluetooth

In Bluetooth smartphone applications, the i.MX21 need to connect with an audio codec, a modem Baseband Serial Audio Port (SAP) and the Bluetooth chipset SSI port. To enable the seamless interface for various audio connections, The i.MX21 AUDMUX port plays a very important role. With the audio codec connection described in Section 3.1, a Bluetooth smartphone configuration is illustrated in [Figure 4](#). Different voice paths in this Bluetooth smartphone system will be discussed individually.

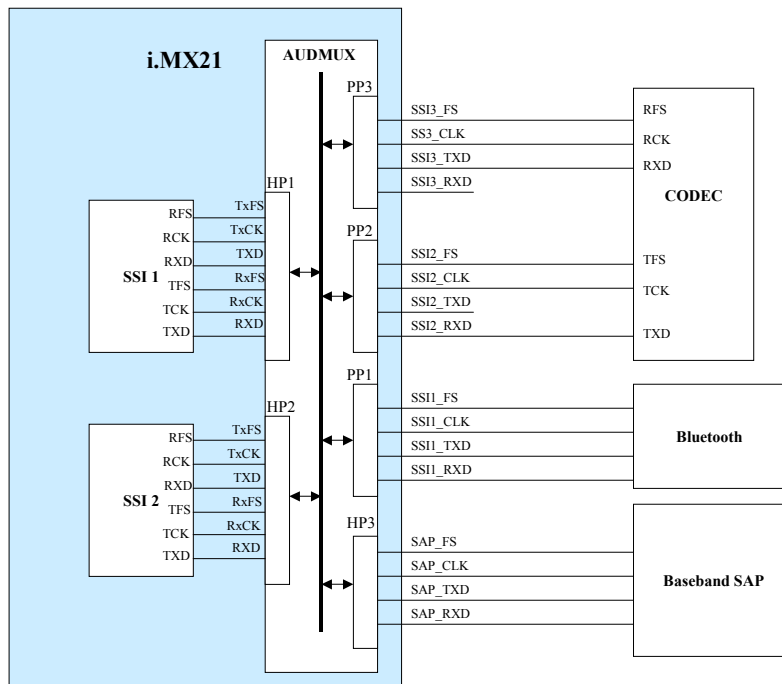


Figure 4. Bluetooth Smartphone Connection Example

3.3.1 Voice Path Between Modem SAP and Bluetooth

In the scenario of the smartphone being a Bluetooth audio gateway connecting with a remote Bluetooth headset, the voice path must be established directly between the Baseband SAP and the Bluetooth SSI. In this case, the Baseband SAP will be the SSI master that provides the SSI frame sync and clock to the Bluetooth SSI.

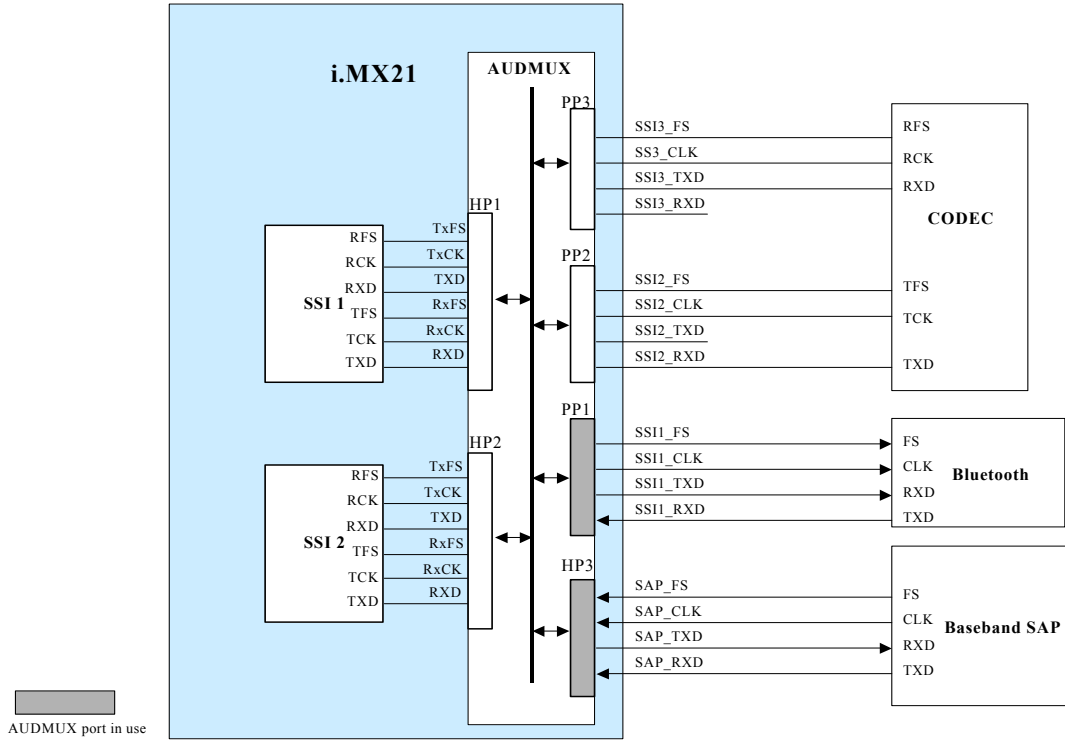


Figure 5. Voice Path Between Baseband SAP and Bluetooth

3.3.2 Voice Path Between i.MX21 and Bluetooth

When the i.MX21 is setup as an SCO voice link with the remote Bluetooth device, the i.MX21 SSI 2 will be the SSI master while the Bluetooth will be the SSI slave. This is illustrated in [Figure 6](#).

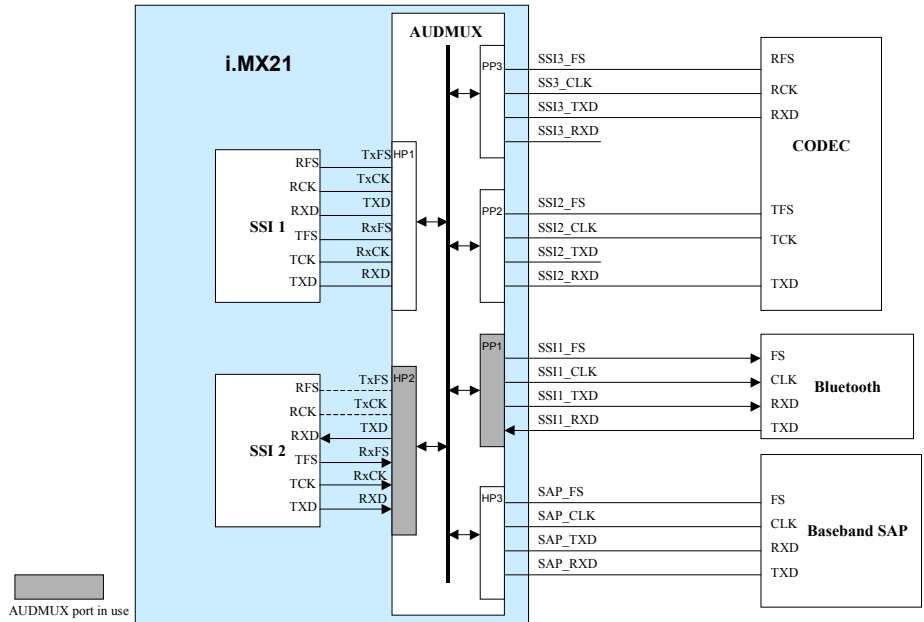


Figure 6. Voice Path Between i.MX21 and Bluetooth

3.3.3 Voice Path Between i.MX21 and Baseband

There will be scenarios (such as voice memo recording and voice recognition) involving the voice path between the i.MX21 and the Baseband. In this case, the Baseband will be the SSI master while the i.MX21 will be the SSI slave. This scenario is illustrated in [Figure 8](#).

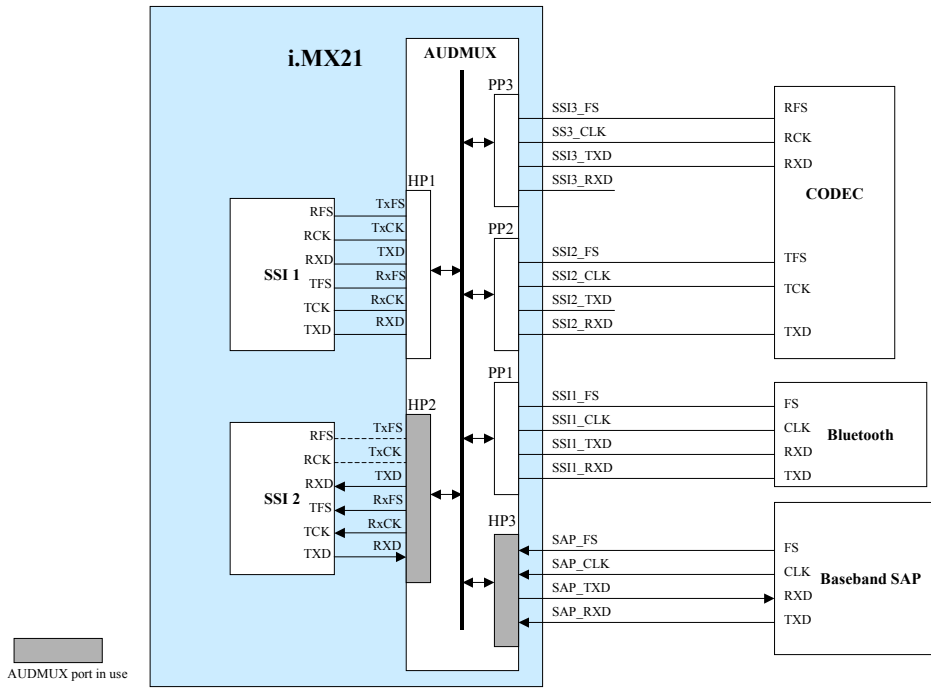


Figure 7. Voice Path Between i.MX21 and Baseband

3.4 Tx/Rx Switching

In a typical SSI network mode configuration, only one of the devices will be the master which provides frame sync and clocks. Other devices will act as the SSI slaves. Since the hardware connections are being fixed, it is not possible to perform an on-the-fly master/slave role change. However, the i.MX21 AUDMUX provides a Tx/Rx switching mechanism to support this.

Figure 8 shows a SSI network connection of 3 devices. Device 1 acts as the SSI master while Device 2 and the i.MX21 act as SSI slaves. The SAP_TXD pin is an output pin from i.MX21 to Device 1. During the allocated time slot, i.MX21 will provide data to Device 1. In other time slots, i.MX21 SAP_TXD will be tri-stated. Similarly, the SAP_RXD pin is an input pin such that time slot data from Device 1 can be sent to i.MX21.

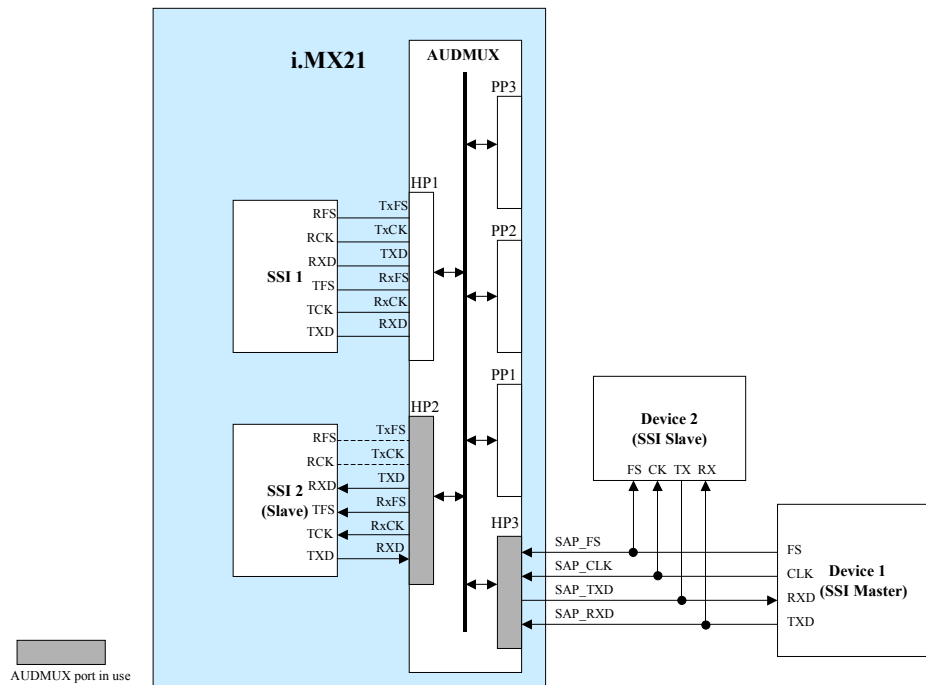


Figure 8. SSI Network Mode with 3 Devices

When the i.MX21 is set to become the SSI master and Device 1 is no longer active, i.MX21 needs to provide the frame sync and clocks to Device 2. Additionally, since the hardware connection is being fixed, i.MX21 needs to send data from the SAP_RXD pin to the RX pin of Device 2 and receive data from TX pin of Device 2 to SAP_TXD. With the help of the Tx/Rx switching feature, the role switching can be performed easily.

As indicated in Figure 9, the Tx/Rx switching is enabled at Host Port 3 (HPCR3:TXRXEN = 1). The SAP_TXD pin now becomes an input pin (previously it is an output pin) which can receive data from Device 2 TX pin. Similarly, the SAP_RXD pin now becomes an output pin (previously it is an input pin) which can send data out to Device 2 RX pin.

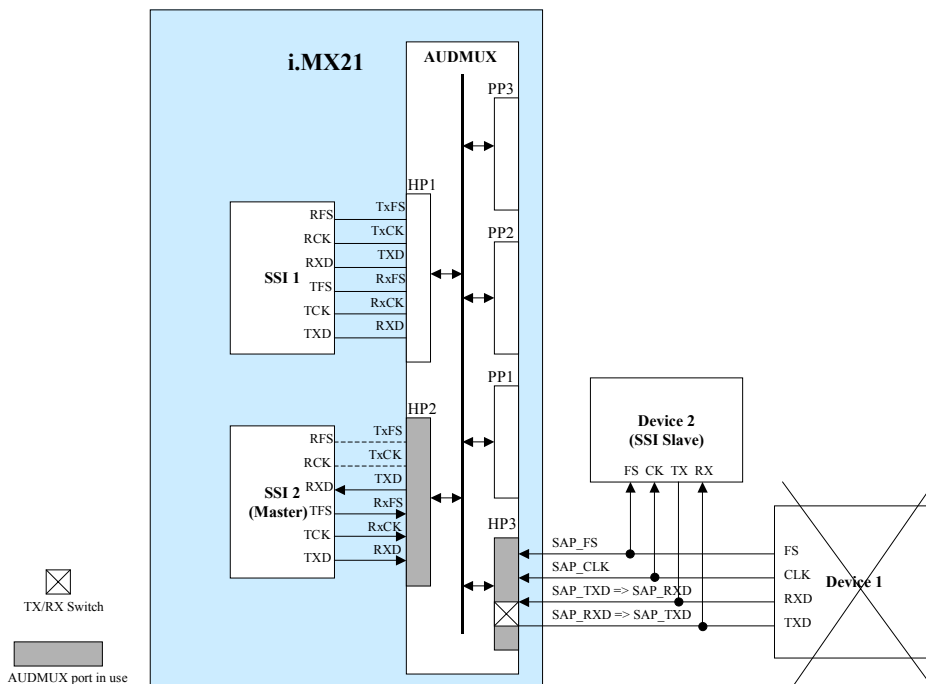


Figure 9. Tx/Rx Switching a Host Port 3

3.5 Internal Network Mode

Network mode is where a master SSI is connected to more than one slave SSI device. The communication occurs in a time-slotted frame. In the internal network mode, the AUDMUX host port can receive the signals from i.MX21 internal SSI ports or external ports. These received signals are ANDed together to form the output.

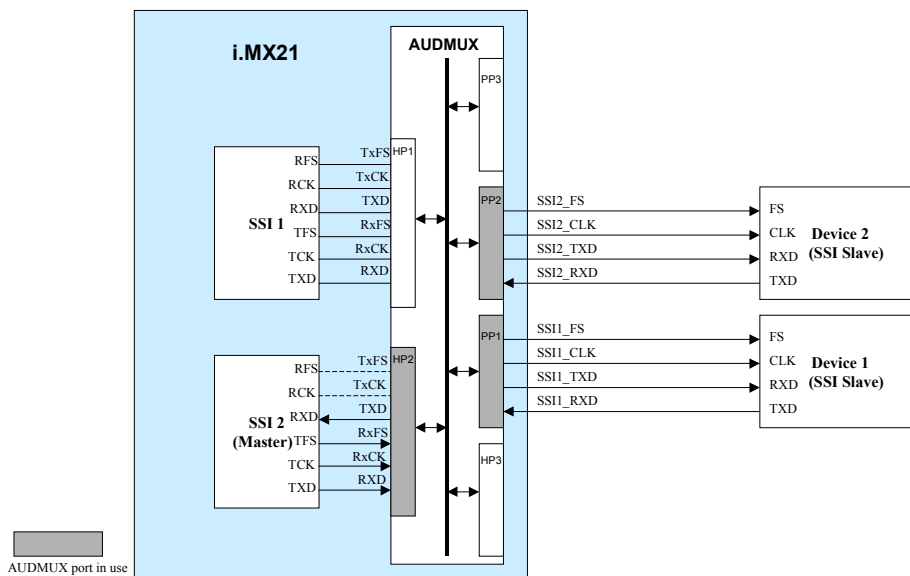


Figure 10. i.MX21 Connecting to Two External Devices in SSI Network Mode

Figure 10 shows the i.MX21 SSI2 as the SSI master driving two external devices connected at two external AUDMUX ports. Suppose the system is configured as an SSI network with 4 time-slots. Device 1 and i.MX21 will communicate in the first time slot while Device 2 and i.MX21 will communicate in the second time slot. The remaining two time slots are idle. Figure 11 illustrates the timing of this sequence.

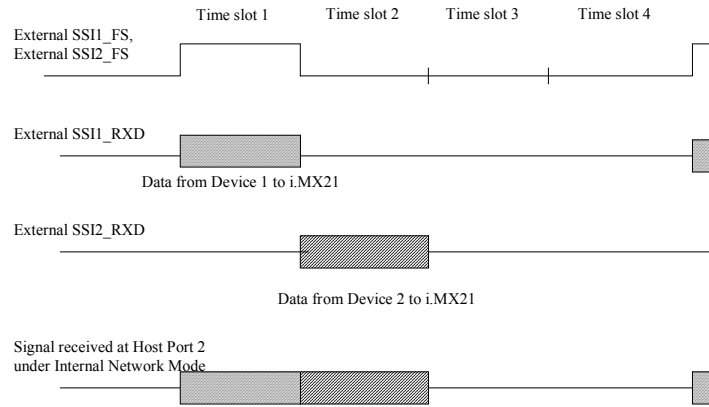


Figure 11. Internal Network Mode Timing Diagram Example

For the i.MX21 internal SSI2 to receive data from external Device 1 and Device 2, the AUDMUX Host Port 2 must be configured to the internal network mode bit and mask correctly. Table 6 provides the settings for this example.

Table 6. Host Port Configuration Register 2 (HPCR2 - \$10016004)

Name	Settings	Comments
INMEN	1	Enable Internal Network Mode
INMASK	0xE7	Bit 3 and Bit 4 are set to 0, Bit 1 set to 1 (self port), others set to 1

4 Conclusion

The i.MX21 provides a very flexible connection for audio applications. The AUDMUX enables a programmable interconnection for voice, audio, and synchronous data routing among the internal SSI modules and external SSI devices. Hard-wired re-configuration are not required and resources can be effectively shared in different configurations.

5 References

The following documents can be used for additional information:

1. *MC9328MX21 Applications Processor Reference Manual* (order number: *MC9328MX21RM*)

For this and other technical documents about the i.MX21 products, go to www.freescale.com/imx.

6 Revision History

This revision is for the purpose of applying the Freescale template and does not include technical content changes.

How to Reach Us:

Home Page:
www.freescale.com

E-mail:
support@freescale.com

USA/Europe or Locations Not Listed:
Freescale Semiconductor
Technical Information Center, CH370
1300 N. Alma School Road
Chandler, Arizona 85224
+1-800-521-6274 or +1-480-768-2130
support@freescale.com

Europe, Middle East, and Africa:
Freescale Halbleiter Deutschland GmbH
Technical Information Center
Schatzbogen 7
81829 Muenchen, Germany
+44 1296 380 456 (English)
+46 8 52200080 (English)
+49 89 92103 559 (German)
+33 1 69 35 48 48 (French)
support@freescale.com

Japan:
Freescale Semiconductor Japan Ltd.
Headquarters
ARCO Tower 15F
1-8-1, Shimo-Meguro, Meguro-ku,
Tokyo 153-0064, Japan
0120 191014 or +81 3 5437 9125
support.japan@freescale.com

Asia/Pacific:
Freescale Semiconductor Hong Kong Ltd.
Technical Information Center
2 Dai King Street
Tai Po Industrial Estate
Tai Po, N.T., Hong Kong
+800 2666 8080
support.asia@freescale.com

For Literature Requests Only:
Freescale Semiconductor Literature Distribution Center
P.O. Box 5405
Denver, Colorado 80217
1-800-521-6274 or 303-675-2140
Fax: 303-675-2150
LDCForFreescaleSemiconductor@hibbertgroup.com

Information in this document is provided solely to enable system and software implementers to use Freescale Semiconductor products. There are no express or implied copyright licenses granted hereunder to design or fabricate any integrated circuits or integrated circuits based on the information in this document.

Freescale Semiconductor reserves the right to make changes without further notice to any products herein. Freescale Semiconductor makes no warranty, representation or guarantee regarding the suitability of its products for any particular purpose, nor does Freescale Semiconductor assume any liability arising out of the application or use of any product or circuit, and specifically disclaims any and all liability, including without limitation consequential or incidental damages. "Typical" parameters that may be provided in Freescale Semiconductor data sheets and/or specifications can and do vary in different applications and actual performance may vary over time. All operating parameters, including "Typicals", must be validated for each customer application by customer's technical experts. Freescale Semiconductor does not convey any license under its patent rights nor the rights of others. Freescale Semiconductor products are not designed, intended, or authorized for use as components in systems intended for surgical implant into the body, or other applications intended to support or sustain life, or for any other application in which the failure of the Freescale Semiconductor product could create a situation where personal injury or death may occur. Should Buyer purchase or use Freescale Semiconductor products for any such unintended or unauthorized application, Buyer shall indemnify and hold Freescale Semiconductor and its officers, employees, subsidiaries, affiliates, and distributors harmless against all claims, costs, damages, and expenses, and reasonable attorney fees arising out of, directly or indirectly, any claim of personal injury or death associated with such unintended or unauthorized use, even if such claim alleges that Freescale Semiconductor was negligent regarding the design or manufacture of the part.

Freescale™ and the Freescale logo are trademarks of Freescale Semiconductor, Inc. ARM and the ARM Powered Logo are registered trademarks of ARM Limited. All other product or service names are the property of their respective owners.

© Freescale Semiconductor, Inc. 2005. All rights reserved.