

# Evaluation of Power Dissipation for the eXtreme Switch Devices (MC10XS3412, MC35XS3400, MC10XS3435 and MC15XS3400)

## 1 Introduction

This application note relates to the power dissipation capability of 3<sup>rd</sup> generation quad devices:

- Quad 35mΩ: 35XS3400
- Quad 15mΩ: 15XS3400
- Dual 10mΩ - Dual 12mΩ: 10XS3412
- Dual 10mΩ - Dual 35mΩ: 10XS3435

This application note presents the theoretical computations of power dissipation including conduction and switching losses for resistive and inductive loads. It allows obtaining a rapid evaluation of the thermal losses occurring in a particular design.

### Contents

<b>1</b>	<b>Introduction</b> .....	<b>1</b>
<b>2</b>	<b>Scope</b> .....	<b>2</b>
<b>3</b>	<b>Conduction Losses</b> .....	<b>5</b>
<b>4</b>	<b>Switching Losses</b> .....	<b>5</b>
	<b>4.1 Resistive Load</b> .....	<b>6</b>
	<b>4.2 Inductive Load</b> .....	<b>6</b>
<b>5</b>	<b>Key Parameters per Device</b> .....	<b>7</b>
<b>6</b>	<b>Revision History</b> .....	<b>8</b>

## 2 Scope

This family of devices is designed for low-voltage automotive lighting applications. Its four low  $R_{DS(ON)}$  MOSFETs can control four separate 55W / 28W bulbs, and/or Xenon modules, and/or LEDs, and/or other type of loads.

Programming, control, and diagnostics are accomplished using a 16-bit SPI interface. Its output with selectable slew-rate allows to satisfy electromagnetic compatibility (EMC) requirements. Additionally, each output can be controlled internal PWM modulated clock signal, instead of an external clock.

This family of devices can drive currents in Amperes range, continuously or in PWM mode up to 1.0 kHz. At these current levels the power dissipation becomes a critical parameter. It is the purpose of this application note to give analytical expressions for switching- and conduction losses. This will allow the potential user to make a rapid evaluation of power dissipation of his/her particular design, and can therefore help when dimensioning the cooling system.

Figure 1 gives a typical application diagram using this type of quad high-sides device.

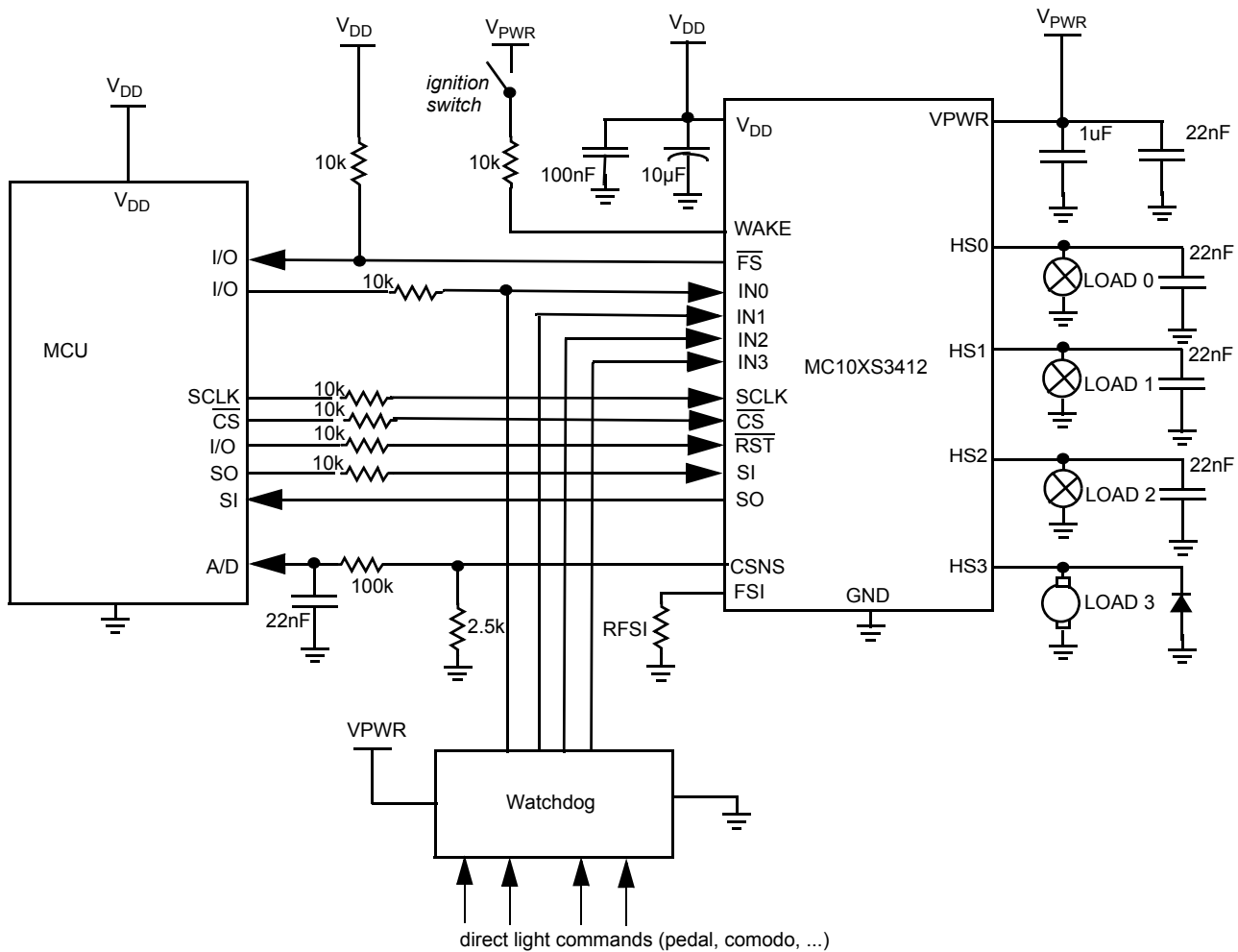


Figure 1. Typical Application Diagram

The losses occurring in each output,  $P_{DISS}$ , consists of conduction losses ( $P_{ON}$ ) and switching losses ( $P_{SW}$ ):

$$P_{DISS} = P_{ON} + P_{SW}$$

- Conduction losses  $P_{ON}$  occur when the device is fully ON.
- Switching losses  $P_{SW}$  occur during ON/OFF switching processes. The evaluation of switching losses is not as simple as that of the conduction losses and must take into account several factors such as output switching waveform, load type, battery voltage, ...

Figure 2 shows a typical switching process for a resistive load with output voltage and current waveforms ( $V_{out}$ ,  $I_{out}$ ), along with dissipated power ( $P_{diss}$ ). Power losses are divided in 3 parts: ON switching losses ( $P_{SW\_RISE}$ ), conduction losses ( $P_{ON}$ ) and OFF switching losses

( $P_{SW\_FALL}$ ). In this particular example, we can be noted that the switching losses are higher than the conduction losses.

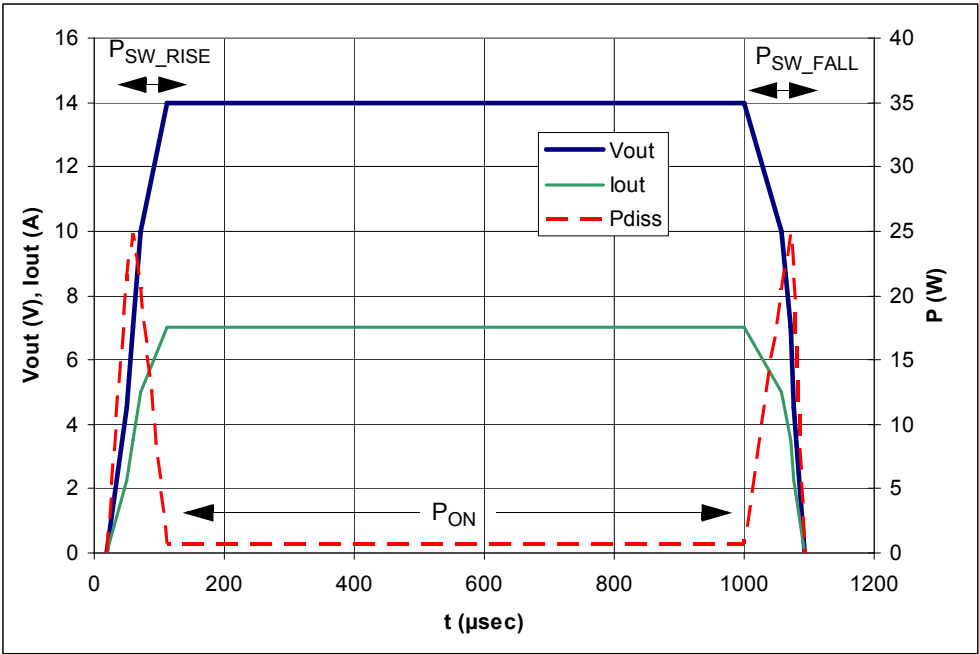


Figure 2. Power Dissipation Waveforms (Resistive load case for  $V_{PWR}=14V$ )

The total power dissipation of the device is the sum of power dissipated in each output switch (HS[0:3]):

$$P_{DISS} = P_{DISS(HS0)} + P_{DISS(HS1)} + P_{DISS(HS2)} + P_{DISS(HS3)}$$

### 3 Conduction Losses

For a given output current level ( $I_{OUT}$ ), the conduction losses per output switch are:

$$P_{ON} = (V_{PWR} - V_{OUT}) \cdot I_{OUT} = R_{DS(ON)}(T_J) \cdot I_{OUT}^2$$

The value of  $R_{DS(ON)}(T_J)$  depends on the junction temperature. Over the temperature range 25°C to 150°C, the temperature coefficient of  $R_{DS(ON)}$  is about 1.7.

$$R_{DS(ON)}(T_J) = R_{DS(ON)}(25^\circ\text{C}) \cdot [1 + 0.7 \cdot (T_J - 25) / 125]$$

$$\text{with } T_J = T_A + P_{DISS} \cdot R_{THJA}$$

$R_{THJA}$  corresponds to the thermal resistance from junction to ambient.

In switching mode, it is necessary to take into account ON time. The conduction losses can then be approximated as:

$$P_{ON} = \alpha \cdot R_{DS(ON)}(T_J) \cdot I_{OUT}^2$$

$\alpha$  is PWM duty-cycle

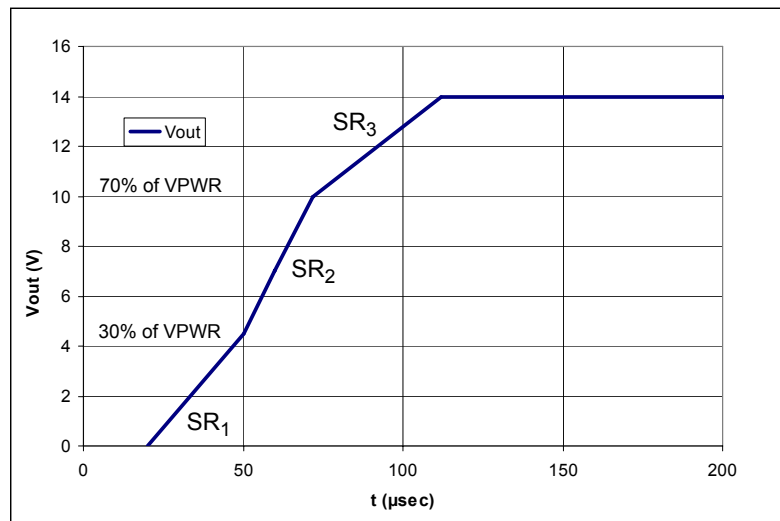
### 4 Switching Losses

The switching losses appear during ON and OFF switching.

$$P_{SW} = P_{SW\_RISE} + P_{SW\_FALL}$$

The output voltage slew-rate is the critical parameter for switching losses. The choice of the slew-rate will generally result from a compromise between low switching losses (fast switching) and acceptable EMC performance (slow switching). The AN3569 describes measured conducted emission levels as a function of selected output slew-rate.

A typical output switching waveform is presented in [Figure 3](#). The switching process is not linear. The output switching behavior can be model by three different slopes depending on the value of output voltage.



SR<sub>1</sub> from 0% to 30% of VPWR  
 SR<sub>2</sub> from 30% to 70% of VPWR  
 SR<sub>3</sub> from 70% to 100% of VPWR

Figure 3. Output ON Switching Model using 3 Pieces of Slopes

## 4.1 Resistive Load

In case of purely resistive load ( $R_{LOAD}$ ), both switching losses depend on the switching frequency ( $f_{PWM}$ ):

- ON switching losses:

$$P_{SW\_RISE1} = f_{PWM} \cdot \{ (0.3^2 \cdot V_{PWR}^3) / (6R_{LOAD} \cdot SR_{1\_RISE}) \} \cdot (3 - 2 \cdot (0.3))$$

$$P_{SW\_RISE2} = f_{PWM} \cdot \{ 0.4 \cdot V_{PWR}^3 \} / (6R_{LOAD} \cdot SR_{2\_RISE}) \cdot (6(0.3) \cdot (0.7) + 0.4^2)$$

$$P_{SW\_RISE3} = f_{PWM} \cdot \{ 0.3^2 \cdot V_{PWR}^3 \} / (6R_{LOAD} \cdot SR_{3\_RISE}) \cdot (3 - 2 \cdot (0.3))$$

- OFF switching losses:

$$P_{SW\_FALL1} = f_{PWM} \cdot \{ (0.3^2 \cdot V_{PWR}^3) / (6R_{LOAD} \cdot SR_{1\_RISE}) \} \cdot (2 \cdot (0.3) - 3)$$

$$P_{SW\_FALL2} = f_{PWM} \cdot \{ 0.4 \cdot V_{PWR}^3 \} / (6R_{LOAD} \cdot SR_{2\_RISE}) \cdot (-6(0.3) \cdot (0.7) - 0.4^2)$$

$$P_{SW\_FALL3} = f_{PWM} \cdot \{ 0.3^2 \cdot V_{PWR}^3 \} / (6R_{LOAD} \cdot SR_{3\_RISE}) \cdot (2 \cdot (0.3) - 3)$$

## 4.2 Inductive Load

In case of an inductive load (inductor  $L_{LOAD}$  in series with parasitic resistor  $R_{LOAD}$  associated to freewheeling diode), the load current can be considered as constant ( $I_{OUT} = \alpha \cdot V_{PWR} / R_{LOAD}$ ) if the time constant of the load is higher than the switching period ( $L_{LOAD} / R_{LOAD} \gg 1 / f_{PWM}$ ).

- ON switching losses:

$$P_{SW\_RISE1} = f_{PWM} \cdot \{ 0.3V_{PWR} / SR_{1\_RISE} \cdot (V_{PWR} + 0.7V_{PWR}) / 2 \} \cdot I_{OUT}$$

$$P_{SW\_RISE2} = f_{PWM} \cdot \{ 0.4V_{PWR} / SR_{2\_RISE} \cdot (0.3V_{PWR} + 0.7V_{PWR}) / 2 \} \cdot I_{OUT}$$

$$P_{SW\_RISE3} = f_{PWM} \cdot \{ 0.3V_{PWR} / SR_{3\_RISE} \cdot (0.3V_{PWR}) / 2 \} \cdot I_{OUT}$$

- OFF switching losses:

$$P_{SW\_FALL1} = f_{PWM} \cdot \{ -0.3V_{PWR}/SR_{1\_FALL} \cdot (V_{PWR} + 0.7V_{PWR})/2 \} \cdot I_{OUT}$$

$$P_{SW\_FALL2} = f_{PWM} \cdot \{ -0.4V_{PWR}/SR_{2\_FALL} \cdot (0.3V_{PWR} + 0.7V_{PWR})/2 \} \cdot I_{OUT}$$

$$P_{SW\_FALL3} = f_{PWM} \cdot \{ -0.3V_{PWR}/SR_{3\_FALL} \cdot (0.3V_{PWR})/2 \} \cdot I_{OUT}$$

## 5 Key Parameters per Device

[Table 1](#) presents the values of output slew-rate parameters over the  $R_{DS(ON)}$  range.

**Table 1. Output Switching Parameters for  $10V < V_{PWR} < 16V$**

Slew rate Value	Piece wise Linear Output Slope	10mΩ, 12mΩ and 15mΩ Outputs	35mΩ Output
low	SR <sub>1_RISE</sub> (V/μs)	0.08	0.06
	SR <sub>2_RISE</sub> (V/μs)	0.14	0.13
	SR <sub>3_RISE</sub> (V/μs)	0.06	0.06
	SR <sub>1_FALL</sub> (V/μs)	-0.13	-0.17
	SR <sub>2_FALL</sub> (V/μs)	-0.13	-0.16
	SR <sub>3_FALL</sub> (V/μs)	-0.05	-0.07
medium (by default)	SR <sub>1_RISE</sub> (V/μs)	0.19	0.22
	SR <sub>2_RISE</sub> (V/μs)	0.30	0.25
	SR <sub>3_RISE</sub> (V/μs)	0.10	0.11
	SR <sub>1_FALL</sub> (V/μs)	-0.32	-0.25
	SR <sub>2_FALL</sub> (V/μs)	-0.30	-0.27
	SR <sub>3_FALL</sub> (V/μs)	-0.13	-0.11
high	SR <sub>1_RISE</sub> (V/μs)	0.45	0.37
	SR <sub>2_RISE</sub> (V/μs)	0.69	0.69
	SR <sub>3_RISE</sub> (V/μs)	0.20	0.17
	SR <sub>1_FALL</sub> (V/μs)	-0.56	-0.56
	SR <sub>2_FALL</sub> (V/μs)	-0.55	-0.45
	SR <sub>3_FALL</sub> (V/μs)	-0.25	-0.20

## 6 Revision History

REVISION	DATE	DESCRIPTION OF CHANGES
1.0	8/2008	<ul style="list-style-type: none"><li>Initial Release</li></ul>
2.0	6/2009	<ul style="list-style-type: none"><li>Corrected Inductive Load formula on page 6.</li></ul>

## **How to Reach Us:**

### **Home Page:**

[www.freescale.com](http://www.freescale.com)

### **Web Support:**

<http://www.freescale.com/support>

### **USA/Europe or Locations Not Listed:**

Freescale Semiconductor, Inc.  
Technical Information Center, EL516  
2100 East Elliot Road  
Tempe, Arizona 85284  
+1-800-521-6274 or +1-480-768-2130  
[www.freescale.com/support](http://www.freescale.com/support)

### **Europe, Middle East, and Africa:**

Freescale Halbleiter Deutschland GmbH  
Technical Information Center  
Schatzbogen 7  
81829 Muenchen, Germany  
+44 1296 380 456 (English)  
+46 8 52200080 (English)  
+49 89 92103 559 (German)  
+33 1 69 35 48 48 (French)  
[www.freescale.com/support](http://www.freescale.com/support)

### **Japan:**

Freescale Semiconductor Japan Ltd.  
Headquarters  
ARCO Tower 15F  
1-8-1, Shimo-Meguro, Meguro-ku,  
Tokyo 153-0064  
Japan  
0120 191014 or +81 3 5437 9125  
[support.japan@freescale.com](mailto:support.japan@freescale.com)

### **Asia/Pacific:**

Freescale Semiconductor Hong Kong Ltd.  
Technical Information Center  
2 Dai King Street  
Tai Po Industrial Estate  
Tai Po, N.T., Hong Kong  
+800 2666 8080  
[support.asia@freescale.com](mailto:support.asia@freescale.com)

### **For Literature Requests Only:**

Freescale Semiconductor Literature Distribution Center  
P.O. Box 5405  
Denver, Colorado 80217  
1-800-441-2447 or 303-675-2140  
Fax: 303-675-2150  
[LDCForFreescaleSemiconductor@hibbertgroup.com](mailto:LDCForFreescaleSemiconductor@hibbertgroup.com)

Information in this document is provided solely to enable system and software implementers to use Freescale Semiconductor products. There are no express or implied copyright licenses granted hereunder to design or fabricate any integrated circuits or integrated circuits based on the information in this document.

Freescale Semiconductor reserves the right to make changes without further notice to any products herein. Freescale Semiconductor makes no warranty, representation or guarantee regarding the suitability of its products for any particular purpose, nor does Freescale Semiconductor assume any liability arising out of the application or use of any product or circuit, and specifically disclaims any and all liability, including without limitation consequential or incidental damages. "Typical" parameters that may be provided in Freescale Semiconductor data sheets and/or specifications can and do vary in different applications and actual performance may vary over time. All operating parameters, including "Typicals", must be validated for each customer application by customer's technical experts. Freescale Semiconductor does not convey any license under its patent rights nor the rights of others. Freescale Semiconductor products are not designed, intended, or authorized for use as components in systems intended for surgical implant into the body, or other applications intended to support or sustain life, or for any other application in which the failure of the Freescale Semiconductor product could create a situation where personal injury or death may occur. Should Buyer purchase or use Freescale Semiconductor products for any such unintended or unauthorized application, Buyer shall indemnify and hold Freescale Semiconductor and its officers, employees, subsidiaries, affiliates, and distributors harmless against all claims, costs, damages, and expenses, and reasonable attorney fees arising out of, directly or indirectly, any claim of personal injury or death associated with such unintended or unauthorized use, even if such claim alleges that Freescale Semiconductor was negligent regarding the design or manufacture of the part.

Freescale™ and the Freescale logo are trademarks of Freescale Semiconductor, Inc. All other product or service names are the property of their respective owners.

© Freescale Semiconductor, Inc., 2008 - 2009. All rights reserved.