

Sensorless BLDC Control for MC9S08SU16-based ESC

Contents

1. Introduction

This application note describes the design of a sensorless BLDC control for ESC based on NXP's MC9S08SU16.

The drone ESC is gradually and widely used in people's daily life. It brings great help to the dull, dirty, and dangerous work.

This application note focuses on the design of sensorless BLDC control for ESC using MC9S08SU16. The document includes:

- MCU peripherals
- Interrupts
- Software description
- Hardware setup
- Application introduction

1.	Introduction.....	1
2.	MCU Peripherals	2
2.1.	Timer	3
2.2.	Analog configuration	5
2.3.	Others.....	6
3.	Interrupts.....	7
3.1.	Over-current fault interrupt.....	7
3.2.	Over-voltage fault interrupt	8
3.3.	MTIM interrupt.....	9
3.4.	FTM0CH0 input capture interrupt	10
3.5.	FTM0CH1 output compare interrupt	11
3.6.	PWM reload interrupt	12
4.	Software Description.....	13
4.1.	System concept	13
4.2.	State machine.....	14
4.3.	OPENLOOP	16
4.4.	Zero-crossing detection and commutation	17
5.	Hardware Description	18
5.1.	Schematic.....	18
5.2.	Hardware board.....	19
6.	Application Operation.....	20
6.1.	FreeMASTER installation on PC or notebook.....	20
6.2.	Establishing connection between PC and embedded application.....	20
6.3.	Application platform.....	22
6.4.	Microcontroller usage	23
7.	References.....	23
8.	Revision History	23

2. MCU Peripherals

MC9S08SU16 represents very low-cost portfolio of S08 MCUs with peripherals modules dedicated for motor control applications. The typical application segment includes BLDC sensor or sensorless motor control applications.

The key features of the MC9S08SU16 device are as follows:

- 40-Mhz S08 core
- 768-bytes SRAM, 16-KB program flash memory
- Voltage range: 4.5 V to 18 V
- 5 V input/output for logical I/O
- One I2C module supporting SMBus communications interface
- One SCI module
- Two 12-bit ADCs with up to 8 channels
- Analog comparator with up to 4 inputs and internal 6-bit DAC
- High voltage GDU (4.5 V - 18 V)
- Two 16-bit pulse width timers (PWT)
- Two programmable delay block (PDB)
- One 16-bit FTM
- One 16-bit modulo timer (MTIM)
- One 16-bit 6-channel PWM
- Up to 17 GPIOs
- Windowed COP with multiple clock sources (watchdog)
- Inter-peripheral Crossbar Switch (XBAR)
- Cyclic redundancy check(CRC)
- Temperature range (ambient): -40°C to 105°C

Figure 1 shows the overview diagram of the MC9S08SU16 device.

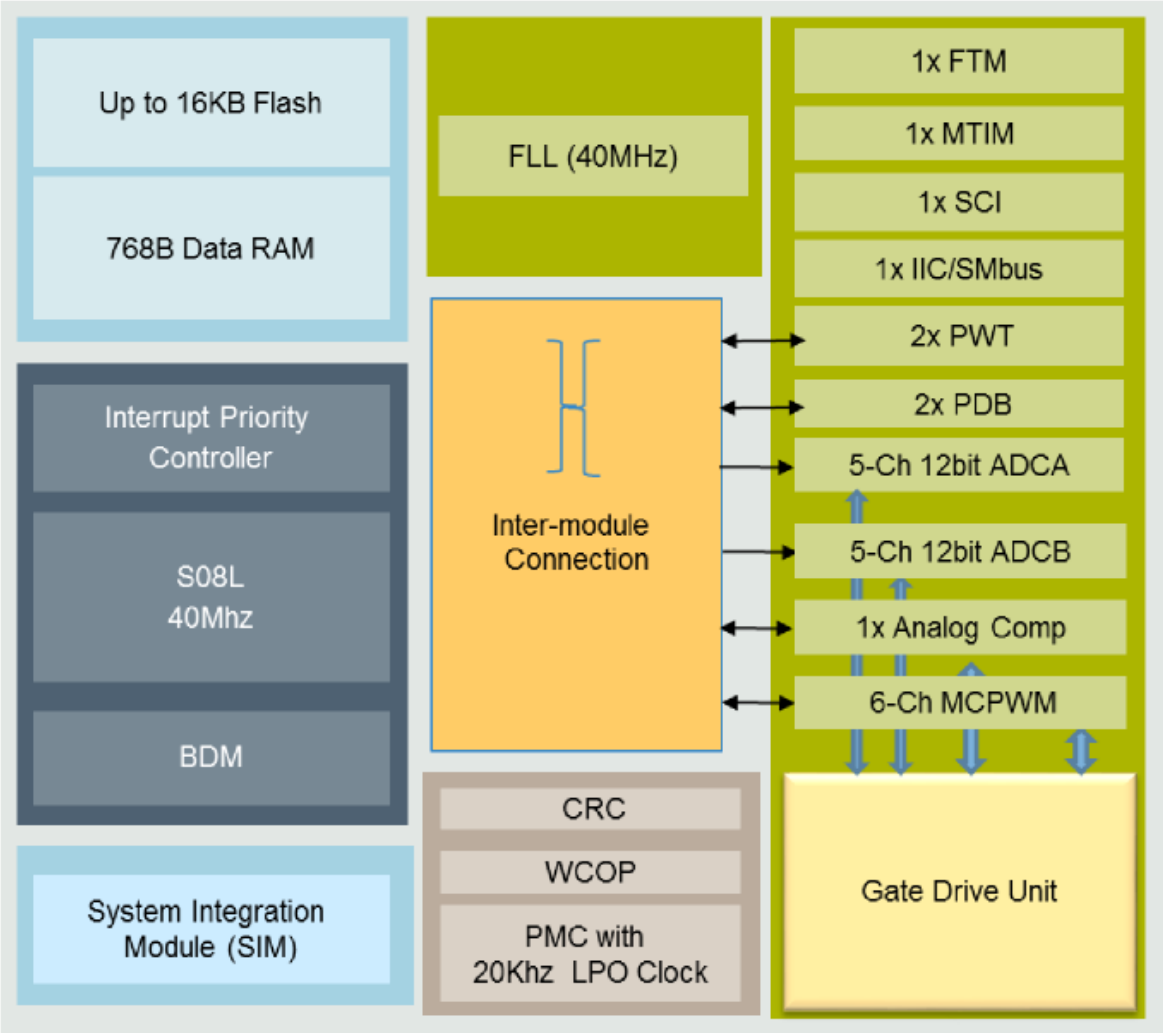


Figure 1. MC9S08SU16 device overview

2.1. Timer

2.1.1. FlexTimer (FTM) configuration

The FlexTimer Module (FTM) is a TPM for the MC9S08SU16. It has two channels, which support the input capture and output compare functions. The FTM time reference is a 16-bit counter that can be used as an unsigned counter. The module has the following configuration in this application.

FTM0 – input capture function and output compare function:

- Free running timer
`FTM0_MODH = 0;`
`FTM0_MODL = 0;`
- The input clock is the system clock/16 (20M/16=1.25 MHz).
`FTM0_SC_CLKS = 1;`
`FTM0_SC_PS = 4;`

- The FTM0CH0 is configured to the input capture function.
FTM0_C0SC = FTM0_C0SC_ELSA_MASK | FTM0_C0SC_ELSB_MASK;
- The FTM0CH1 is configured to the output compare function.
FTM0_C1SC = FTM0_C1SC_ELSA_MASK | FTM0_C1SC_ELSB_MASK |
FTM0_C1SC_MSA_MASK;
- Enable the ISR for FTM0CH0 input capture, with the priority of level 3 (the highest priority).
IPC_ILRS4_ILRn0 = 3;
- Enable the ISR for FTM0CH1 output compare function, with the priority of level 3 (the highest priority).
IPC_ILRS4_ILRn1 = 3;

2.1.2. PDB0 configuration

PDB0 is used to synchronize GDU's comparator module and PWM module. The configuration is as follows:

- The input clock is the high speed clock (40 MHz).
- The single short delay mode is chosen.
PDB_CTRL0 = 0x00

2.1.3. MTIM configuration

MTIM is selected as the timer interrupt in this application and the module is configured as follows:

- The timer period is configured to 3 ms (MOD_INIT = 234).
MTIM_SC |= MTIM_SC_TRST_MASK;
MTIM_CLK |= MTIM_CLK_PS_MASK;
MTIM_MODL = MOD_INIT&0xff;
MTIM_MODH = MOD_INIT>>8;
- The MTIM overflow interrupt is enabled.
MTIM_SC |= MTIM_SC_TOIE_MASK;
- Enable the overflow ISR, with the priority of level 1 (low priority).
IPC_ILRS7_ILRn0 = 0;

2.1.4. PWM configuration

The PWM module is used for PWM generation which drive inverter. The module has the following configuration:

- The input clock is the high speed clock, which is 40 MHz.
- The PWM fault2 interrupt and the manual fault clear functions are enabled.
PWM_FCTRL = PWM_FCTRL_FIE2_MASK;
- The output PWM frequency is set to 16 KHz (PWM_MODULO = 2500).
PWM_CMODL = PWM_MODULO%256;
PWM_CMODH = PWM_MODULO/256;
- The reload frequency is set to 16 KHz.
PWM_CTRLH = 0;

- The edge-aligned complementary PWM is configured to use the combined (n) and (n+1) channels.

```
PWM_CNFGH = PWM_CNFGH_EDG_MASK;
PWM_CNFGH = 0;
```
- The deadtime is set to 1 us.

```
PWM_DTIM0L = 40;
PWM_DTIM0H = 0;
PWM_DTIM1L = 40;
PWM_DTIM1H = 0;
```
- The top-side polarity is negative.

```
PWM_CNFGH |= PWM_CNFGH_TOPNEG_MASK
```
- The reload interrupt is enabled.

```
PWM_CTRL = PWM_CTRL_PWMEN_MASK | PWM_CTRL_PWMRIE_MASK;
```
- The LDOK feature is used to update the duty-cycle.

```
PWM_CTRL |= PWM_CTRL_LDOK_MASK;
```
- Enable PWM reload ISR, with the priority of level 2.

```
IPC_ILRS1_ILRn2 = 2;
```

2.1.5. PWT configuration

The PWT module is used to capture a pulse width and pulse period. The duty command is captured through this module in this application. The module has the following configurations:

- The input clock is set to Bus clock/128, which equals to 156.25 KHz.

```
PWT0_CR_PRE = 7;
```
- The PWT0IN0 (PTA6) is chosen as the PWT input port.

```
PWT0_CR_PINSEL = 0;
```
- The ready interrupt is disabled.

```
PWT0_CS_PRDYIE = 0;
```

2.2. Analog configuration

2.2.1. GDU configuration

The Gate Drive Unit (GDU) module is designed for power conversion and 3-phase motor control applications. It includes high-side and low-side Field Effect Transistor (FET) pre-drivers, motor BEMF zero crossing detection circuit, and 2-current sensing amplifiers with pre-configured 20x gain and limitation detection. GDU is also internally connected to the Crossbar module, PWM module, and ADC module, so the signal propagation delays can be effectively reduced or minimized. The module has the following configurations:

- The delay time needs to be added after power-on, to make sure GDU module is normal powered before initialization.

```
for (delayAfterClampEnable = 20000; delayAfterClampEnable > 0;
     delayAfterClampEnable--);
{
```

- ```

 asm(nop);
 }

```
- By default, the Vclamp is set to 3.84 V and it needs to be manually tuned to 5 V.  
`GDU_CLMPCTRL_TUNE = 4;`
  - The virtual network is enabled with the 3 internal resistors.  
`GDU_PHASECTRL = GDU_PHASECTRL_VNEN_MASK;`
  - The OpMAP0 is enabled for DC bus over-current protection.  
`GDU_CURCTRL = GDU_CURCTRL_AMP0EN_MASK;`
  - The phase detection comparator with window/filter circuit is enabled.  
`GDU_PHCMPxCR0 = GCMP_FILT_CNT;`  
`GDU_PHCMPxCR1 = GDU_PHCMP0CR1_EN_MASK |`  
`GDU_PHCMP0CR1_WE_MASK | GDU_PHCMP0CR1_PMODE_MASK;`  
`GDU_PHCMPxFPR = ZC_COMP_SAMP_PER_SYSU;`  
`GDU_PHCMPxCR0_HYSTCTR = 1;`
  - Enable over-voltage ISR, with the priority of level 3 (highest priority).  
`IPC_ILRS1_ILRn0 = 3;`
  - Enable over-current ISR, with the priority of level 3 (highest priority).  
`IPC_ILRS1_ILRn1 = 3;`

## 2.3. Others

### 2.3.1. Clock configuration

The internal clock source module provides clock source choices for the MCU. The module has following configurations:

- The core clock is set to 40 MHz and the bus clock to 20 MHz.  
`ICS_C4 = 0x00;`  
`ICS_C2 = 0x00;`  
`SIM_SCDIV = SIM_SCDIV_DIV2_MASK;`
- The clock gate is opened for related peripherals.  
`SIM_SCGC1 = SIM_SCGC1_IPC_MASK | SIM_SCGC1_DBG_MASK |`  
`SIM_SCGC1_PMC_MASK;`  
`SIM_SCGC2 = SIM_SCGC2_PDB_MASK | SIM_SCGC2_ADC0_MASK |`  
`SIM_SCGC2_GDU_CMP_MASK |`  
`SIM_SCGC2_CMP0_MASK;`  
`SIM_SCGC3 = SIM_SCGC3_FTM_MASK | SIM_SCGC3_PWT0_MASK |`  
`SIM_SCGC3_MTIM_MASK |`  
`SIM_SCGC3_PWM_MASK;`
- The clock trim value calibration is enabled.  
`ICS_C3 = 0x50;`

### 2.3.2. XBAR configuration

This module is used as a bridge between different peripherals. The module has following configurations:

- The PWM reload signal is configured to sync the PDB0 module.  
XBAR\_SEL9 = 4;
- The PDB0 output is configured as GCMP compare window.  
XBAR\_SEL10 = 9;  
XBAR\_SEL11 = 9;  
XBAR\_SEL12 = 9;
- The GCMP output is configured to trigger FTM0CH0 input capture ISR.

### 3. Interrupts

This application has 6-interrupt services:

- 4 interrupts are part of the BLDC motor control algorithm.
- 2 interrupts are used for over-current and over-voltage protection.

*Table 1* summarizes ISR numbers and priority levels.

**Table 1. Interrupt service list**

| Source | Module function    | Application function | Vector number | ISR name                 | Priority |
|--------|--------------------|----------------------|---------------|--------------------------|----------|
| FTM0   | Zero-crossing time | Zero-crossing time   | 16            | isr_FTMch0_inputCapture  | 3        |
| FTM0   | Commutation time   | Commutation time     | 17            | isr_FTMch1_outputCompare | 3        |
| GDU    | Over current fault | Over current fault   | 13            | isr_overCurrentFault     | 3        |
| GDU    | Over voltage fault | Over voltage fault   | 4             | isr_overVoltageFault     | 3        |
| PWM    | PWM reload         | PDB register update  | 6             | isr_PWM_reload           | 2        |
| MTIM   | MTIM overflow      | Timer Event          | 28            | isr_MTIM                 | 1        |

#### 3.1. Over-current fault interrupt

The GDU module includes the over-current protection. The related circuit description is as follows:

The current sense circuit and the over-current detection circuit are integrated in the GDU module. The bias voltage for the current sense circuit is  $V_{REF}/2$ , where the default  $V_{REF}$  value is 4.2 V. Customers can change the ADC reference voltage from 4.2 V to 5 V by setting the register of GDU\_SIGBIAS.

The default amplification factor is 20. Customers can add external resistor to change the amplification factor. For example, if 2K resistor is selected, the amplification factor is 15. If 4K resistor is selected, the amplification factor is 12.

The over-current detection circuit is realized by the comparator. The positive input of comparator is the output of current sense circuit, and the negative input of comparator is the output of 6-bit DAC. *Figure 2* shows the over-current interrupt flow chart.

This hardware fault interrupt subroutine is used in:

- 6-channel PWM mask;
- Setting the Fault.

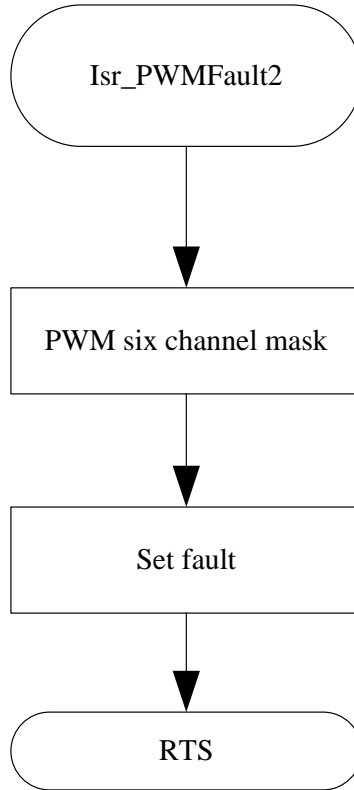


Figure 2. Over-current interrupt flow chart

### 3.2. Over-voltage fault interrupt

The over-voltage sense circuit is integrated in the GDU module. The input of the over-voltage sense circuit is an eighth of DC bus voltage, and the reference voltage for the over-voltage sense circuit is divided into two classes, 22 V and 24 V. Customers can distinguish it in the over-voltage interrupt and take corresponding measures. For details, see the SU16 reference manual. [Figure 3](#) shows the over-voltage interrupt flow chart.

This hardware fault interrupt subroutine is used in:

- 6-channel PWM mask;
- Setting the Fault.



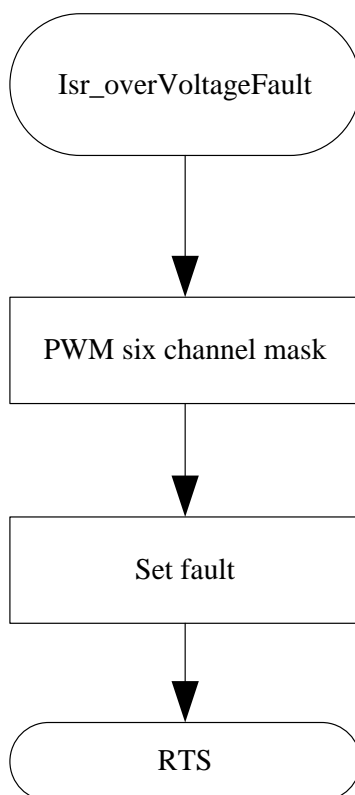


Figure 3. Over-voltage interrupt flow chart

### 3.3. MTIM interrupt

The state machine is executed in this ISR every 3 ms. [Figure 4](#) shows the MTIM interrupt flow chart. This is periodically called and is used in the following processes:

- Calculating velocityAct from periodBLDCZcFlt;
- Calculating the duty ramp value;
- Setting PWM duty cycle.

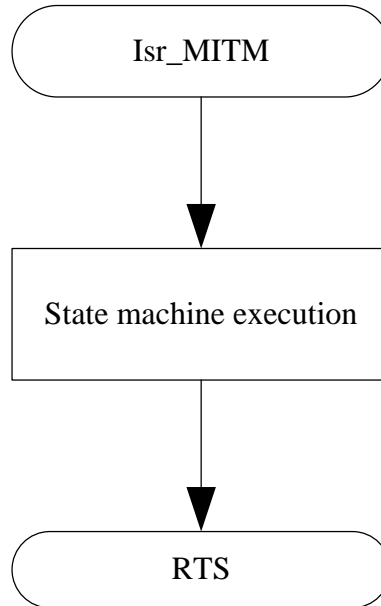


Figure 4. MITM interrupt flow chart

### 3.4. FTM0CH0 input capture interrupt

The zero-crossing time is captured, and the next commutation time is calculated in this interrupt service. [Figure 5](#) shows the FTM0CH0 input capture interrupt flow chart. This zero-crossing timer input capture interrupt is used in the following processes:

- Recording the zero-crossing time (timeBLDCZc);
- Calculating the commutation period (periodBLDCZC) and filter the commutation period (periodBLDCZcFlt);
- Calculating the period (periodBLDCZcToCmt) between the zero-crossing point (timeBLDCZc) and the sequent commutation time (timeBLDCCmt);
- Calculating the sequent commutation time ( $\text{timeBLDCCmt} = \text{timeBLDCZc} + \text{periodBLDCZcToCmt}$ ).

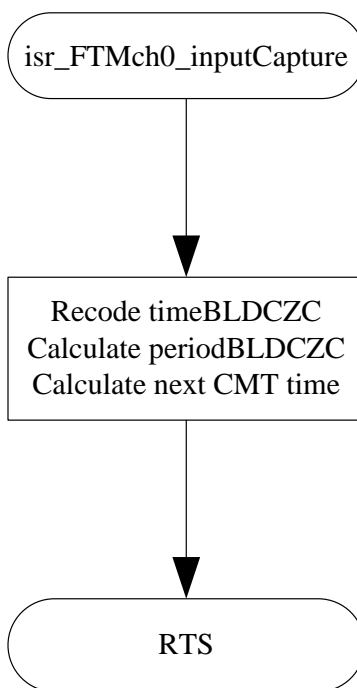


Figure 5. FTM0CH0 input capture interrupt flow chart

### 3.5. FTM0CH1 output compare interrupt

The commutation is executed in this interrupt service. [Figure 6](#) shows the FTM0ch1 output compare interrupt flow chart. This commutation interrupt is used in the following processes:

- When ZC Detection State = Current recirculation
  - Configuring XBAR\_SEL4 (non-conduct phase voltage selection);
  - Selecting FTM0CH0 input capture edge;
  - Changing the ZC detection state;
- When ZC Detection State != Current recirculation
  - Calculating current recirculation period (periodBLDCZcTOff);
  - Calculating force commutation period (periodBLDCCmtPreSet);
  - Constructing the virtual neutral point;
  - Making communication according to the current sector;
  - Changing the ZC detection state.

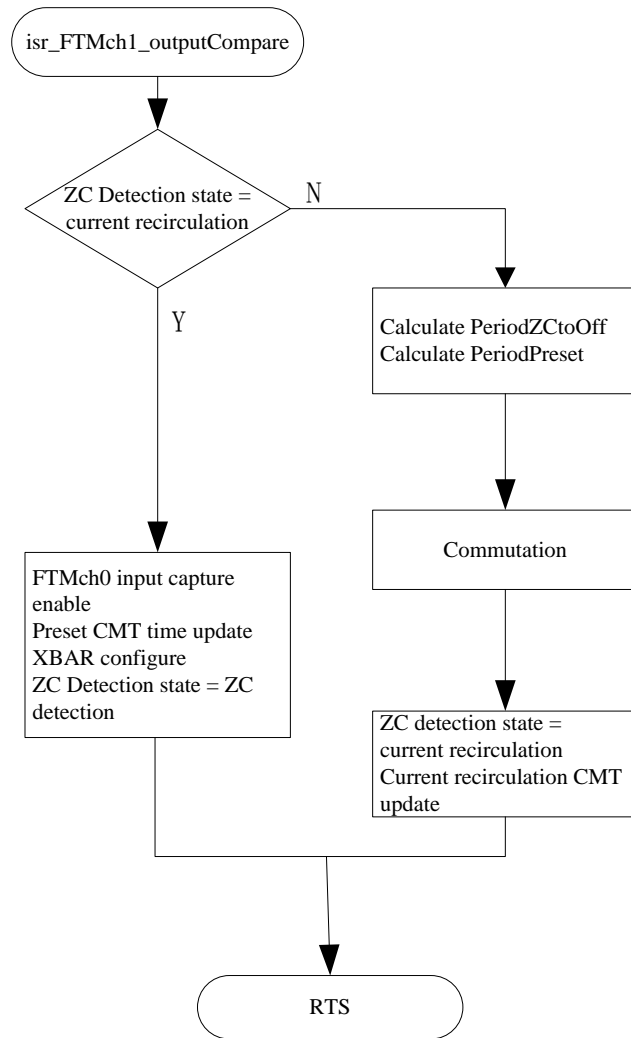


Figure 6. FTM0CH1 output compare interrupt flow chart

### 3.6. PWM reload interrupt

The PDB0 comparison register is updated in this ISR, as PDB's register update has no synchronization mechanism for MC9S08SU16.

- PDB0 compare register update  
When throttle calculation done = 0
- Throttle calculation  
When throttle calculation done != 0
- dutyCycleRequestU16 calculation

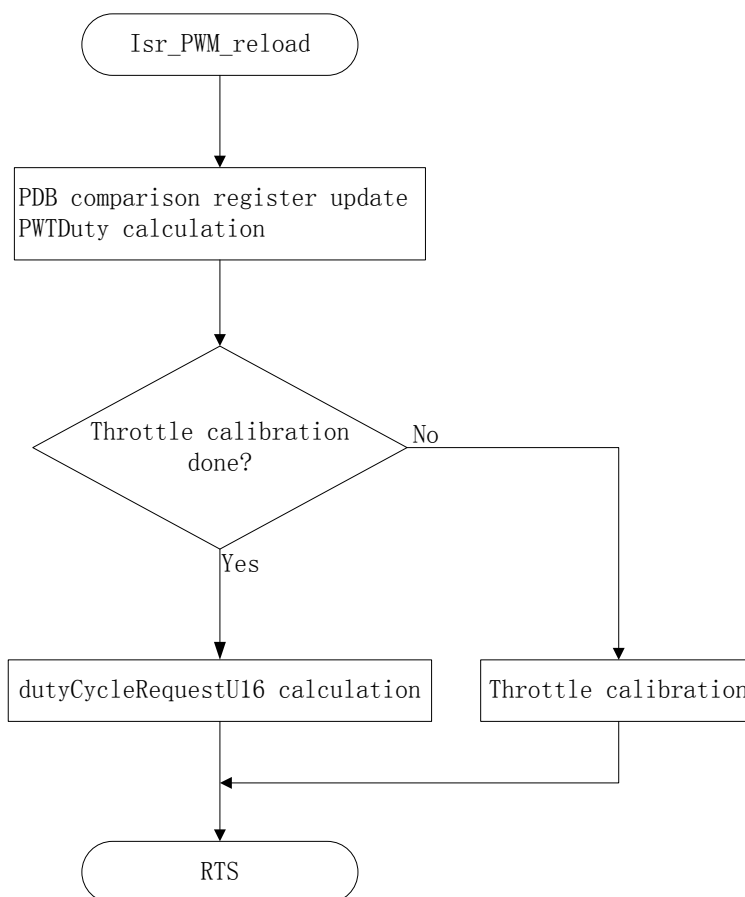


Figure 7. PWM reload interrupt flow chart

## 4. Software Description

This application core is MC9S08SU16. The low-cost S08 chip has enough peripherals and features suitable for implementation of sensorless BLDC six-step control.

This application is written in C language using Codewarrior 10.6, and calls the S08 embedded software library for time saving.

### 4.1. System concept

The concept shown in [Figure 8](#) is chosen. The sensor-less rotor position technique developed detects the zero-crossing points of Back-EMF induced in the motor windings. The phase Back-EMF zero-crossing points are sensed while one of the 3-phase windings is not powered. The obtained information is processed to commutate with the energized phase pair and to control the phase voltage with the Pulse Width Modulation.

The neutral point voltage is reconstructed by using the internal virtual resistor network, and 3 comparators are integrated in GDU peripheral. The zero-crossing detection is synchronized with the duty cycle of the edge-aligned PWM signal by the hardware trigger using comparator's window function, in order to:

- Filter high-voltage spikes produced by the switch of the MOSFETs;
- Avoid detecting incorrect zero-crossing point for unipolar PWM mode.

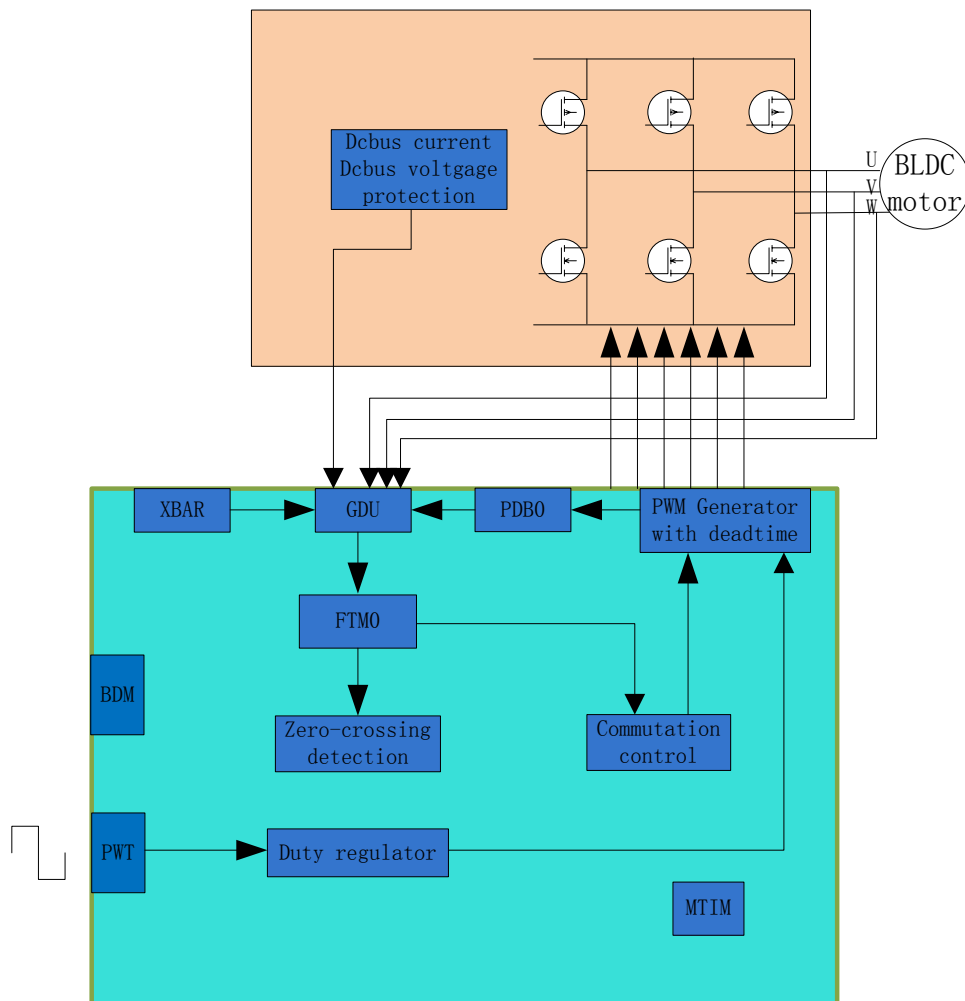


Figure 8. Concept diagram

## 4.2. State machine

Figure 9 shows how this application uses the state machine to control the system flow. After resetting the chip to configure all peripherals, the system enters never-ending loop. The state machine is executed at 3 ms timer interrupt routine with MTIM.

- INIT  
All the PWM MOSFETs are switched off and variable initialization. The state machine transits to the STOP state.
- STOP

The transition to the OPENLOOP state is performed once the motor run is required.

- OPENLOOP

The motor is started-up with an initial duty cycle. The commutation period is constant and zero-crossing detection is not executed in the first two commutation steps.

- If the zero-crossing point is not detected when the commutation step is greater than 4, the state machine is forced to transit to the RUN state.
- If the zero-crossing point is detected when the commutation step is less than 5 and greater than 2, the state machine transits to the RUN state.

- RUN

The motor speeds the calculation and duty cycle addition or subtraction is executed in this state. If the motor stop is required, the state machine is switched to the STOP state.

- FAULT

- If an application detects any of the following fault:

- DC bus over voltage ( $V_{sup} > 22V$ )
- DC bus over current (DC bus current  $> 10A$ )

the state machine enters the FAULT state. The PWM MOSFETs are switched OFF.

- If no fault is detected in the 3 seconds period, the state machine exist the FAULT state and transits to the INIT state.

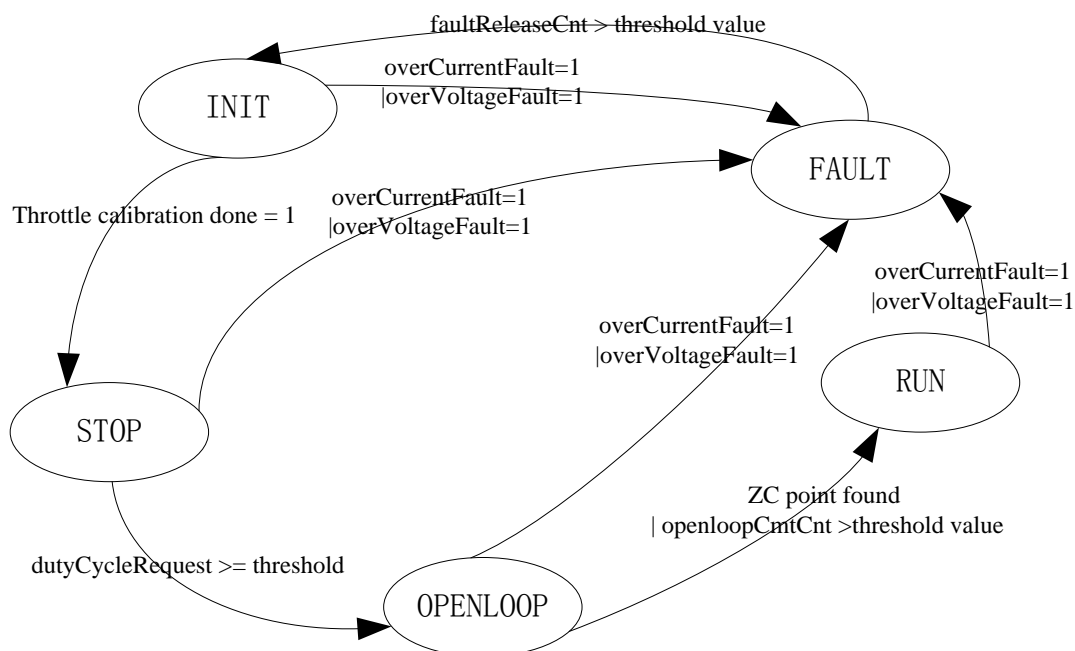


Figure 9. Application state machine

### 4.3. OPENLOOP

The OPENLOOP state is described as above. *Figure 10* shows the startup workflow of this application.

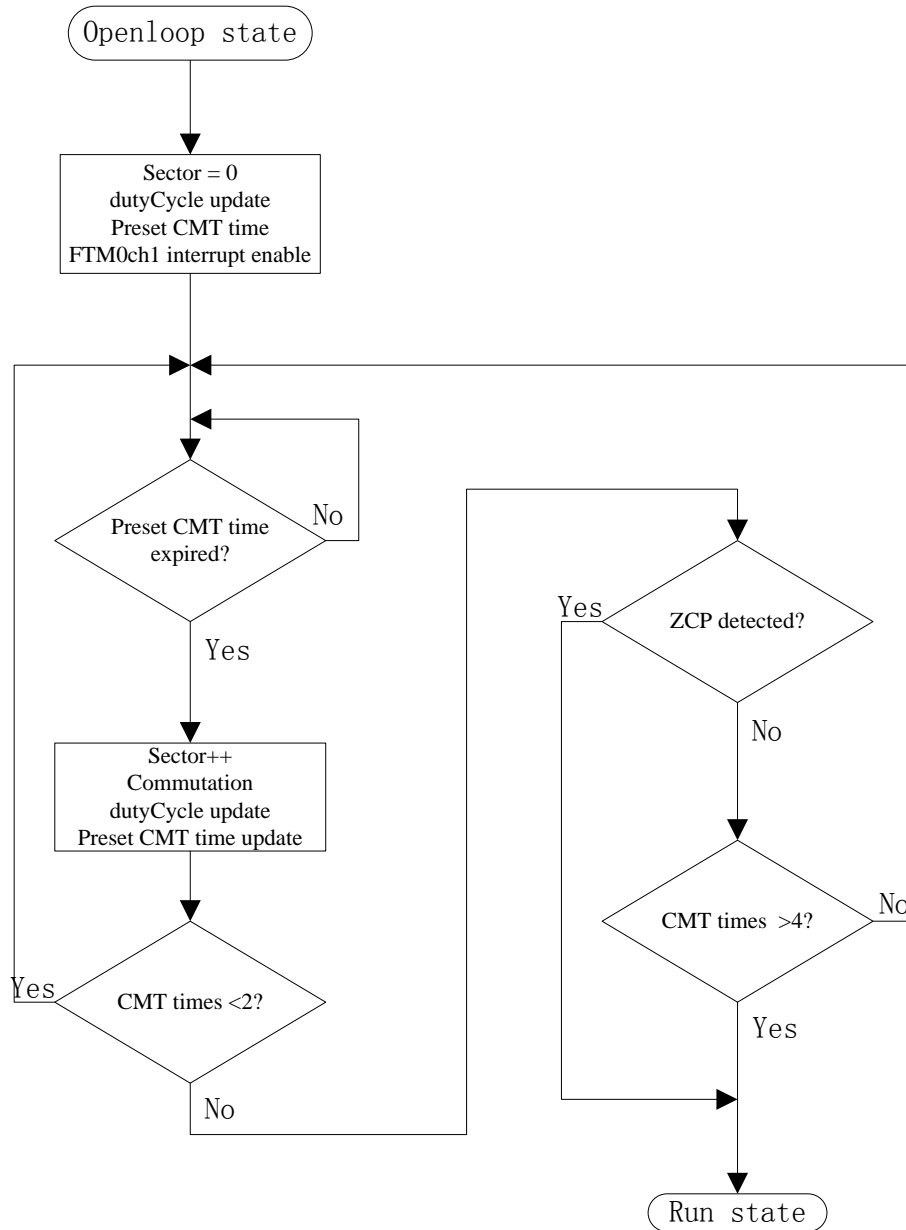


Figure 10. OOPENLOOP flow chart



## 4.4. Zero-crossing detection and commutation

Figure 11 is zero-crossing detection and commutation timing diagram. If the comparator is used to detect zero-crossing point, the window function for comparator is used to avoid incorrect zero-crossing point detection.

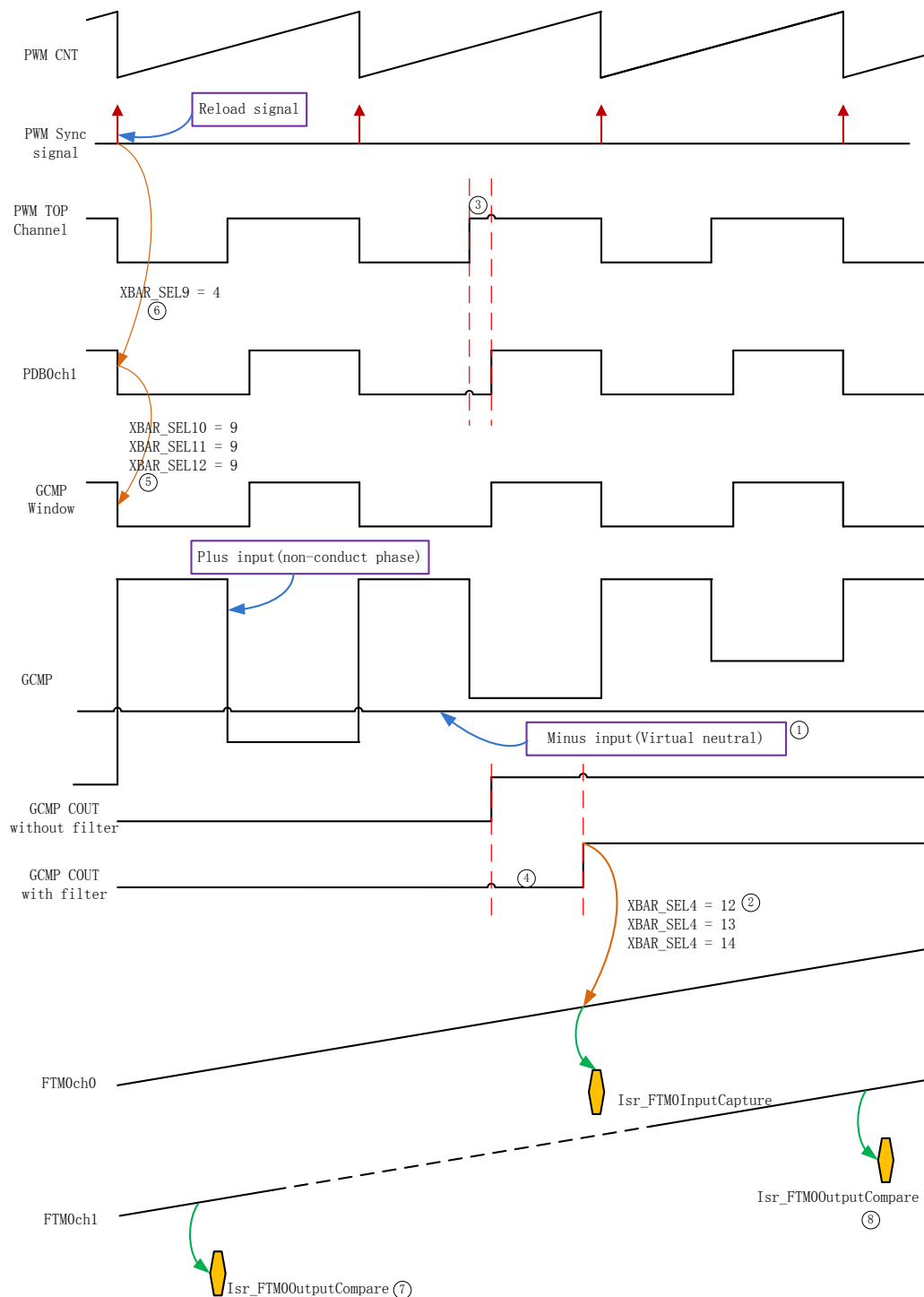


Figure 11. Zero-crossing detection & communication timing diagram

**NOTE**

1. The virtual neutral can be flexibly reconstructed with the register (GDU\_PHASECTRL).
2. Customers need to change the XBAR\_SEL4 configuration according to sector number in the application.
  - If non-conducted phase is phase A, XBAR\_SEL4 = 12.
  - If non-conducted phase is phase B, XBAR\_SEL4 = 13.
  - If non-conducted phase is phase C, XBAR\_SEL4 = 14.
3. 1 us for the PDB0 rising edge delay period in this application.
4. 12 us for the GDU comparator filter period in this application.
5. The window function is generated by PDB0ch1. The synchronization between this two peripherals is realized by XBAR peripheral, described in *Figure 11*.
6. PWM and PDB0 are synchronized with the XBAR peripheral, described in *Figure 11*. PWM reload signal is generated in every PWM period in this application.
7. The FTM0ch1 output compare interrupt (ZC Detection state = current recirculation) time is obtained through calculation, not aligned to actual time points in *Figure 11*.
8. The FTM0ch1 output compare interrupt (ZC Detection state  $\neq$  current recirculation) time is obtained through calculation, not aligned to actual time points in *Figure 11*.

## 5. Hardware Description

### 5.1. Schematic

*Figure 12* shows the CPU peripheral circuit. C1 is important and supply Vclamp to drive high bridge P-Mosfet. C6 and C40 need to be added if customers want to use 4.2 V as ADC reference voltage.

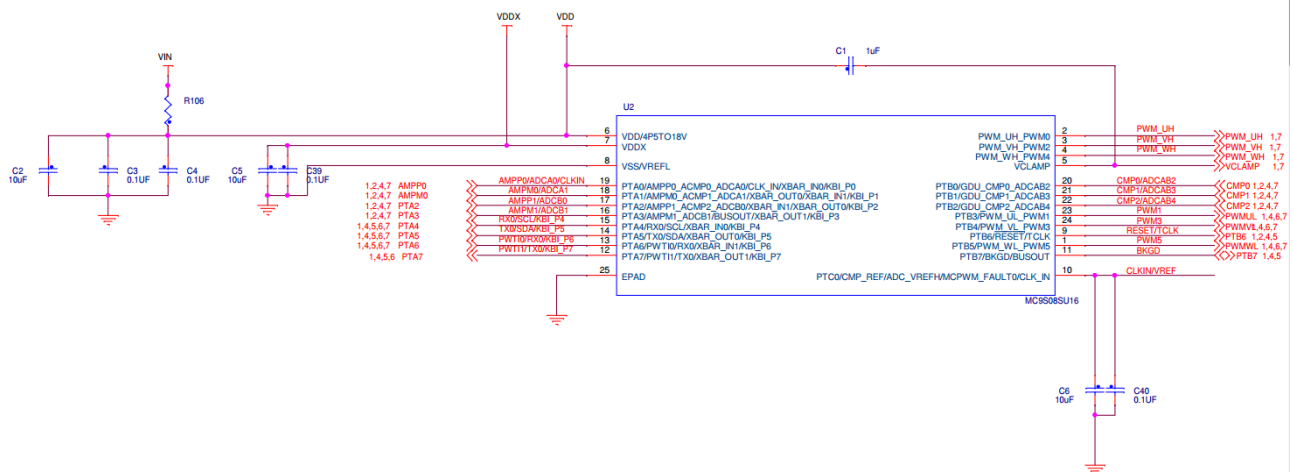


Figure 12. MCU peripheral circuit

Figure 13 shows the 3-phase inverter and related other circuit. The amplification factor is 20x in this application.

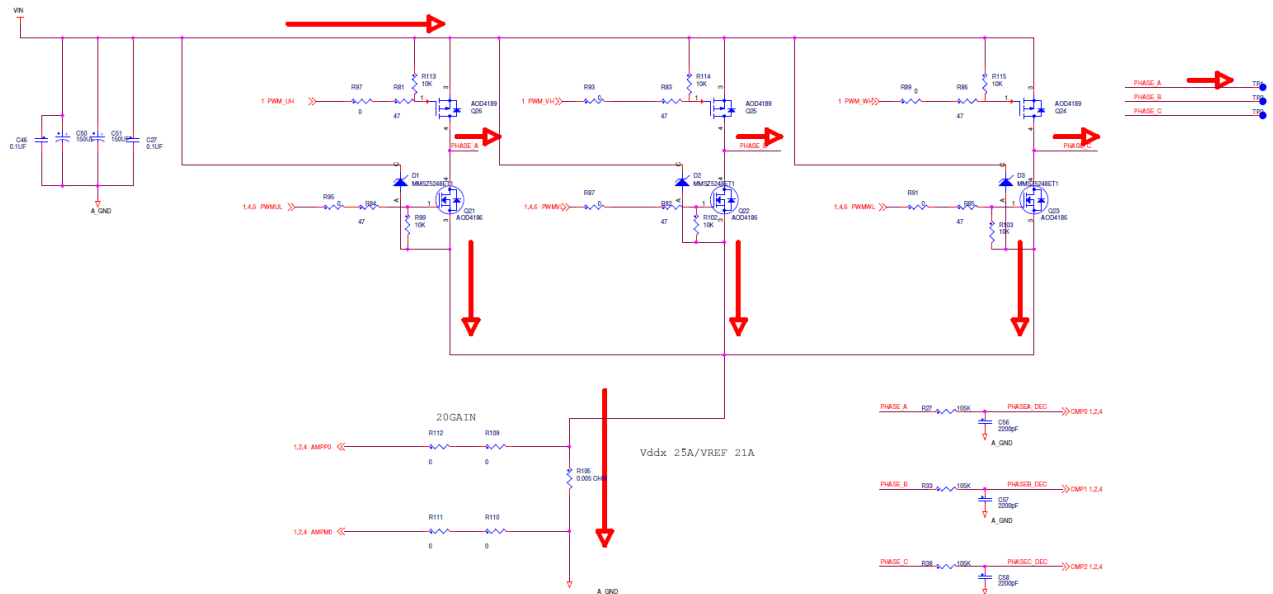


Figure 13. Driver circuit

## 5.2. Hardware board

In this application, the output current is designed for 15A. Thus the PCB layout needs to be well considered, especially for following points:

- Heat dissipation for power components
- Power ground copper pouring to avoid influence by high frequency signal

Figure 14 shows the front side of the hardware board and Figure 15 shows the back side.



Figure 14. Front side of hardware board

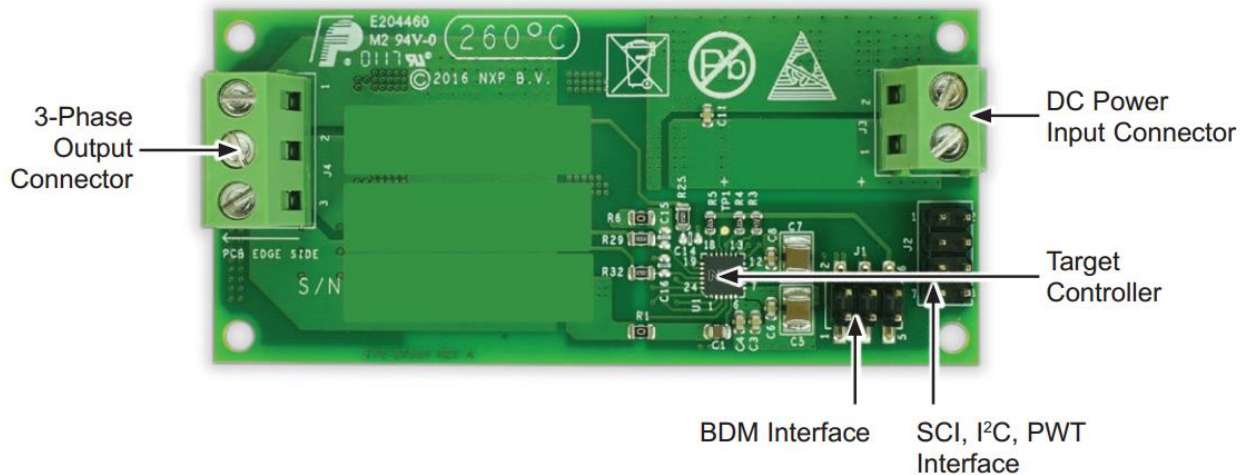


Figure 15. Back side of hardware board

## 6. Application Operation

### 6.1. FreeMASTER installation on PC or notebook

You can download the FreeMASTER PC application on [www.NXP.com/freemaster](http://www.NXP.com/freemaster). Select FreeMASTER 2.0 Application Installation and click the Run button to start the installation.

### 6.2. Establishing connection between PC and embedded application

The FreeMASTER enables the use of multiple communication interfaces between the embedded application and the PC or notebook (UART (RS232), CAN, Ethernet, BDM, and so on). For this application, the BDM Communication Plug-in is used.

For the FreeMASTER configuration, follow the path:

- Project->Options->Comm

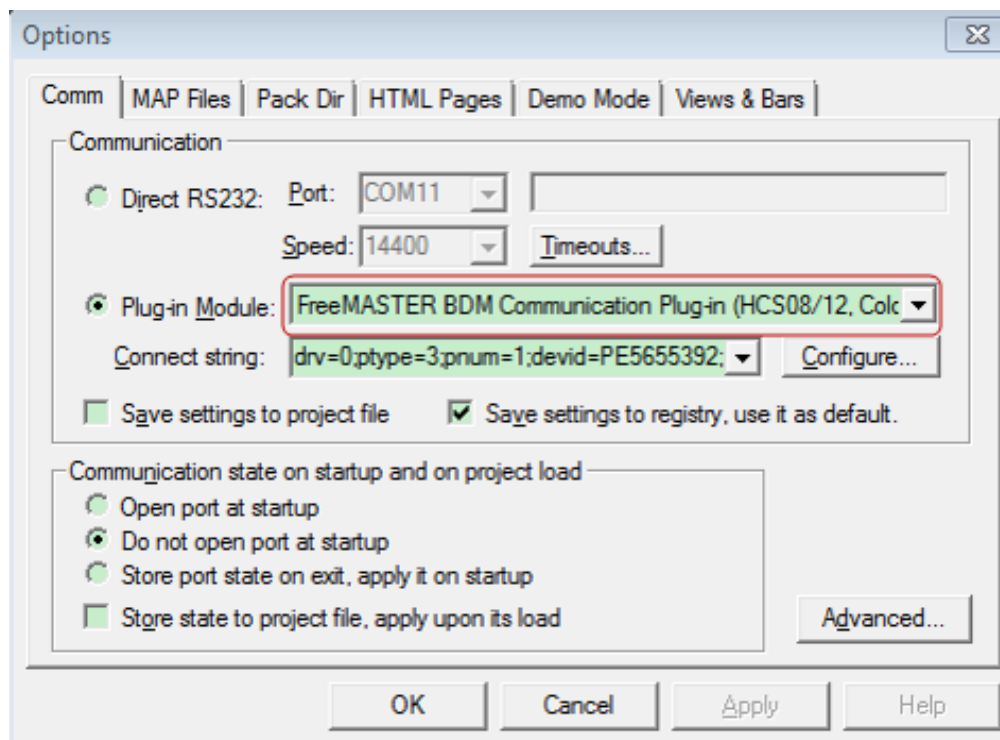


Figure 16. FreeMASTER Comm page

- Project->Options->MAP Files:

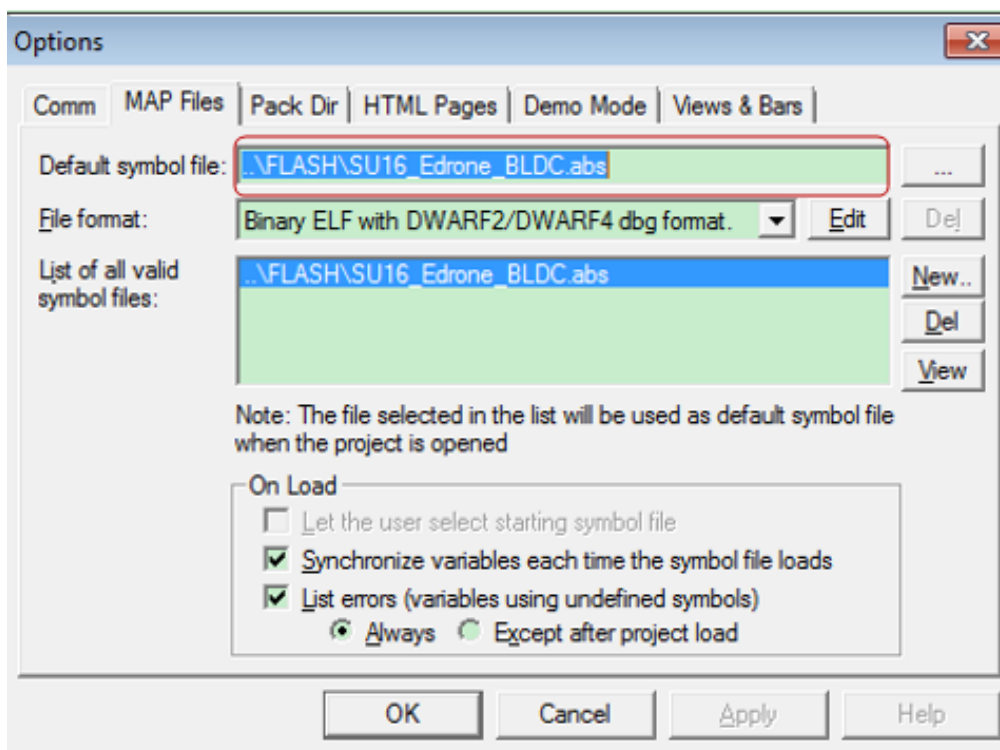


Figure 17. FreeMASTER MAP Files page

### 6.3. Application platform

Figure 18 shows the phase A voltage waveform and phase A current when the duty cycle ratio is 20%. The purple waveform is the phase voltage, and the green waveform is the corresponding phase current waveform.

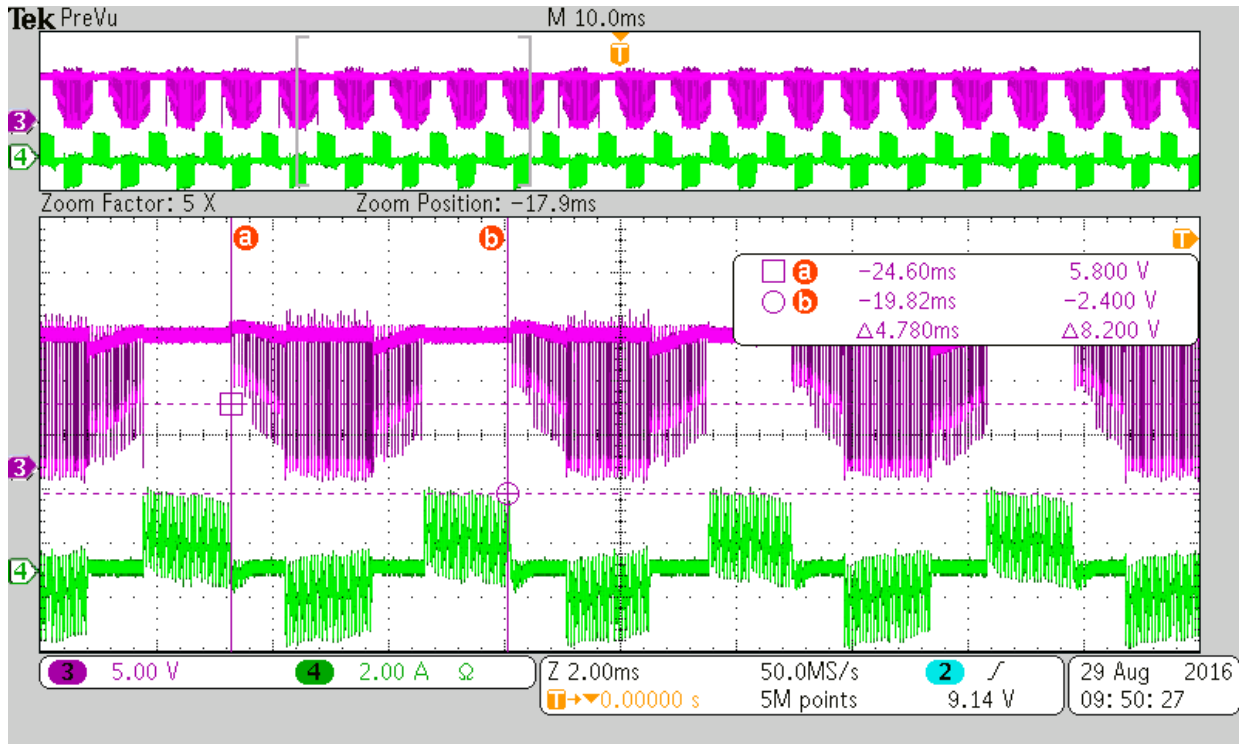


Figure 18. Phase voltage and phase current

The motor, which is used in this application, is Tiger motor (MT2208-18). Table 2 describes motor parameters.

Table 2. Motor parameters

| Characteristics      | Symble | Value | Unit |
|----------------------|--------|-------|------|
| Rated voltage        | V      | 14.8  | V    |
| Rated speed          | -      | 12000 | RPM  |
| Rated power          | P      | 109   | W    |
| Number of pole pairs | PP     | 7     |      |

Figure 19 shows the application platform.



Figure 19. Application platform

## 6.4. Microcontroller usage

*Table 3* shows how much memory is needed to run the application.

Table 3. Memory usage in Byte

| Header Row Text 1                     | Header Row Text 2 | Header Row Text 3 |
|---------------------------------------|-------------------|-------------------|
| Flash                                 | 16 K              | 5222              |
| RAM                                   | 768               | 224 <sup>1</sup>  |
| 1. Include the stack size (78 bytes). |                   |                   |

## 7. References

- MC9S08SU16 reference manual
- MC9S08SU16 datasheet

NXP documents are available at [www.NXP.com](http://www.NXP.com).

## 8. Revision History

Table 4. Revision history

| Revision number | Date    | Substantive changes |
|-----------------|---------|---------------------|
| 0               | 12/2016 | Initial release     |

---

**How to Reach Us:**

**Home Page:**  
[nxp.com](http://nxp.com)

**Web Support:**  
[nxp.com/support](http://nxp.com/support)

Information in this document is provided solely to enable system and software implementers to use NXP products. There are no express or implied copyright licenses granted hereunder to design or fabricate any integrated circuits based on the information in this document. NXP reserves the right to make changes without further notice to any products herein.

NXP makes no warranty, representation, or guarantee regarding the suitability of its products for any particular purpose, nor does NXP assume any liability arising out of the application or use of any product or circuit, and specifically disclaims any and all liability, including without limitation consequential or incidental damages. "Typical" parameters that may be provided in NXP data sheets and/or specifications can and do vary in different applications, and actual performance may vary over time. All operating parameters, including "typicals," must be validated for each customer application by customer's technical experts. NXP does not convey any license under its patent rights nor the rights of others. NXP sells products pursuant to standard terms and conditions of sale, which can be found at the following address: [nxp.com/SalesTermsandConditions](http://nxp.com/SalesTermsandConditions).

NXP™ and the NXP logo are trademarks of NXP B.V. All other product or service names are the property of their respective owners. All rights reserved.

© 2017 NXP B.V.

Document Number: AN5394  
Rev. 0  
02/2017

