

# A5G35H120N

## Airfast RF Power GaN Transistor

Rev. 0 — December 2021

Data Sheet: Technical Data

This 18 W asymmetrical Doherty RF power GaN transistor is designed for cellular base station applications requiring very wide instantaneous bandwidth capability covering the frequency range of 3300 to 3700 MHz.

This part is characterized and performance is guaranteed for applications operating in the 3300 to 3700 MHz band. There is no guarantee of performance when this part is used in applications designed outside of these frequencies.

### 3500 MHz

- Typical Doherty Single-Carrier W-CDMA Reference Circuit Performance:  $V_{DD} = 48$  Vdc,  $I_{DQA} = 70$  mA,  $V_{GSB} = -4.0$  Vdc,  $P_{out} = 18$  W Avg., Input Signal PAR = 9.9 dB @ 0.01% Probability on CCDF. (1)

Frequency	$G_{ps}$ (dB)	$\eta_D$ (%)	Output PAR (dB)	ACPR (dBc)
3400 MHz	16.0	56.6	8.0	-29.8
3500 MHz	15.8	56.7	8.1	-31.3
3600 MHz	15.7	56.2	8.1	-33.1

1. All data measured in reference circuit with device soldered to printed circuit board.

### 3300–3700 MHz Wideband Performance

- Typical Doherty Single-Carrier W-CDMA Reference Circuit Performance:  $V_{DD} = 48$  Vdc,  $I_{DQA} = 70$  mA,  $V_{GSB} = -4.0$  Vdc,  $P_{out} = 18$  W Avg., Input Signal PAR = 9.9 dB @ 0.01% Probability on CCDF. (1)

Frequency	$G_{ps}$ (dB)	$\eta_D$ (%)	Output PAR (dB)	ACPR (dBc)
3300 MHz	15.7	54.9	8.1	-29.8
3400 MHz	15.8	56.4	8.0	-29.8
3500 MHz	15.6	56.5	8.2	-31.2
3600 MHz	15.5	56.1	8.1	-33.1
3700 MHz	15.1	50.5	7.6	-32.4

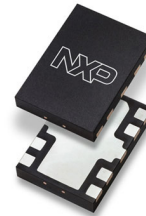
1. All data measured in reference circuit with device soldered to printed circuit board.

### Features

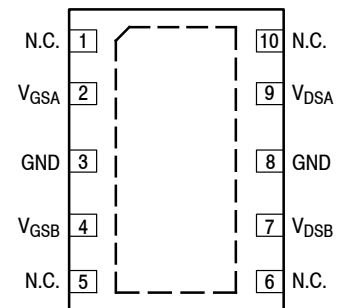
- High terminal impedances for optimal broadband performance
- Improved linearized error vector magnitude with next generation signal
- Able to withstand extremely high output VSWR and broadband operating conditions
- Designed for low complexity analog or digital linearization systems
- Optimized for massive MIMO active antenna systems for 5G base stations

## A5G35H120N

3300–3700 MHz, 18 W Avg., 48 V  
AIRFAST RF POWER GaN  
TRANSISTOR



DFN 7 × 10  
PLASTIC



(Top View)

Note: Exposed backside of the package is the source terminal for the transistor.

Figure 1. Pin Connections

**Table 1. Maximum Ratings**

Rating	Symbol	Value	Unit
Drain- Source Voltage	$V_{DSS}$	125	Vdc
Gate- Source Voltage	$V_{GS}$	-8, 0	Vdc
Operating Voltage	$V_{DD}$	55	Vdc
Maximum Forward Gate Current, $I_{G(A+B)}$ , @ $T_C = 25^\circ\text{C}$	$I_{GMAX}$	13.3	mA
Storage Temperature Range	$T_{stg}$	-65 to +150	$^\circ\text{C}$
Case Operating Temperature Range	$T_C$	-55 to +150	$^\circ\text{C}$
Maximum Channel Temperature	$T_{CH}$	225	$^\circ\text{C}$

**Table 2. Recommended Operating Conditions**

Rating	Symbol	Value	Unit
Operating Voltage	$V_{DD}$	48	Vdc

**Table 3. Thermal Characteristics**

Characteristic	Symbol	Value	Unit
Thermal Resistance by Infrared Measurement, Active Die Surface- to- Case Case Temperature $115^\circ\text{C}$ , $P_D = 15.2\text{ W}$	$R_{\theta JC}$ (IR)	2.0 (1)	$^\circ\text{C/W}$
Thermal Resistance by Finite Element Analysis, Channel- to- Case Case Temperature $115^\circ\text{C}$ , $P_D = 15.2\text{ W}$	$R_{\theta CHC}$ (FEA)	5.8 (2)	$^\circ\text{C/W}$

**Table 4. ESD Protection Characteristics**

Test Methodology	Class
Human Body Model (per JS- 001- 2017)	1B
Charge Device Model (per JS- 002- 2014)	C3

**Table 5. Moisture Sensitivity Level**

Test Methodology	Rating	Package Peak Temperature	Unit
Per JESD22- A113, IPC/JEDEC J- STD- 020	3	260	$^\circ\text{C}$

**Table 6. Electrical Characteristics** ( $T_A = 25^\circ\text{C}$  unless otherwise noted)

Characteristic	Symbol	Min	Typ	Max	Unit
----------------	--------	-----	-----	-----	------

**Off Characteristics (3)**

Off- State Drain Leakage ( $V_{DS} = 150\text{ Vdc}$ , $V_{GS} = -8\text{ Vdc}$ ) ( $V_{DS} = 150\text{ Vdc}$ , $V_{GS} = -8\text{ Vdc}$ )	Carrier Peaking	$I_{D(BR)}$	—	—	2.0 4.4	mAdc
Off- State Gate Leakage ( $V_{DS} = 48\text{ Vdc}$ , $V_{GS} = -8\text{ Vdc}$ ) ( $V_{DS} = 48\text{ Vdc}$ , $V_{GS} = -8\text{ Vdc}$ )	Carrier Peaking	$I_{GLK}$	-1.0 -1.0	— —	— —	mAdc

**On Characteristics — Side A, Carrier**

Gate Threshold Voltage ( $V_{DS} = 10\text{ Vdc}$ , $I_D = 4.6\text{ mAdc}$ )	$V_{GS(th)}$	-4.6	-2.4	-1.9	Vdc
Gate Quiescent Voltage ( $V_{DD} = 48\text{ Vdc}$ , $I_{DA} = 70\text{ mAdc}$ , Measured in Functional Test)	$V_{GSA(Q)}$	-2.75	-2.4	-2.2	Vdc
Gate- Source Leakage Current ( $V_{DS} = 150\text{ Vdc}$ , $V_{GS} = -8\text{ Vdc}$ )	$I_{GSS}$	-2.0	—	—	mAdc

**On Characteristics — Side B, Peaking**

Gate Threshold Voltage ( $V_{DS} = 10\text{ Vdc}$ , $I_D = 10\text{ mAdc}$ )	$V_{GS(th)}$	-4.6	-2.4	-1.9	Vdc
Gate- Source Leakage Current ( $V_{DS} = 150\text{ Vdc}$ , $V_{GS} = -8\text{ Vdc}$ )	$I_{GSS}$	-4.4	—	—	mAdc

1. Refer to AN1955, *Thermal Measurement Methodology of RF Power Amplifiers*. Go to <http://www.nxp.com/RF> and search for AN1955.
2.  $R_{\theta CHC}$  (FEA) must be used for purposes related to reliability and limitations on maximum channel temperature. MTTF may be estimated by the expression  $MTTF$  (hours) =  $10^{[A + B/(T + 273)]}$ , where  $T$  is the channel temperature in degrees Celsius,  $A = -11.6$  and  $B = 9129$ .
3. Each side of device measured separately.

(continued)

**Table 6. Electrical Characteristics** ( $T_A = 25^\circ\text{C}$  unless otherwise noted) (continued)

Characteristic	Symbol	Min	Typ	Max	Unit
<b>Functional Tests</b> <sup>(1)</sup> (In NXP Doherty Production Test Fixture, 50 ohm system) $V_{DD} = 48\text{ Vdc}$ , $I_{DQA} = 70\text{ mA}$ , $V_{GSB} = (V_t - 1.5)\text{ Vdc}$ , $P_{out} = 16\text{ W Avg.}$ , $f = 3600\text{ MHz}$ , 1-tone CW. [See note on correct biasing sequence.]					
Power Gain	$G_{ps}$	13.0	14.1	17.5	dB
Drain Efficiency	$\eta_D$	40.0	49.1	—	%
$P_{out}$ @ 6 dB Compression Point	P6dB	48.5	50.7	—	dBm

**Wideband Ruggedness** <sup>(2)</sup> (In NXP Doherty Reference Circuit, 50 ohm system)  $I_{DQA} = 70\text{ mA}$ ,  $V_{GSB} = -4.0\text{ Vdc}$ ,  $f = 3500\text{ MHz}$ , Additive White Gaussian Noise (AWGN) with 10 dB PAR

ISBW of 400 MHz at 55 Vdc, 35.5 W Avg. Modulated Output Power (3 dB Input Overdrive from 17.8 W Avg. Modulated Output Power)	No Device Degradation
--	-----------------------

**Typical Performance** <sup>(2)</sup> (In NXP Doherty Reference Circuit, 50 ohm system)  $V_{DD} = 48\text{ Vdc}$ ,  $I_{DQA} = 70\text{ mA}$ ,  $V_{GSB} = -4.0\text{ Vdc}$ , 3400–3600 MHz Bandwidth

VBW Resonance Point (IMD Third Order Intermodulation Inflection Point)	$VBW_{res}$	—	200	—	MHz
Gain Flatness in 200 MHz Bandwidth @ $P_{out} = 18\text{ W Avg.}$	$G_F$	—	0.27	—	dB
<b>Fast CW, 27 ms Sweep</b>					
$P_{out}$ @ 6 dB Compression Point	P6dB	—	100	—	W
AM/PM (Maximum value measured at the P6dB compression point across the 3400–3600 MHz bandwidth)	$\Phi$	—	-15	—	°
Gain Variation over Temperature (-40°C to +85°C)	$\Delta G$	—	0.032	—	dB/°C
Output Power Variation over Temperature (-40°C to +85°C)	$\Delta P_{6dB}$	—	0.002	—	dB/°C

**Table 7. Ordering Information**

Device	Tape and Reel Information	Package
A5G35H120NT2	T2 Suffix = 2,000 Units, 24 mm Tape Width, 13-inch Reel	DFN 7 × 10

1. Part internally input matched.
2. All data measured in reference circuit with device soldered to printed circuit board.

### NOTE: Correct Biasing Sequence for GaN Depletion Mode Transistors in a Doherty Configuration

#### Bias ON the device

1. Set gate voltage  $V_{GSA}$  and  $V_{GSB}$  to -5 V.
2. Set drain voltage  $V_{DSA}$  and  $V_{DSB}$  to nominal supply voltage (+48 V).
3. Increase  $V_{GSA}$  (carrier side) until  $I_{DQA}$  current is attained.
4. Increase  $V_{GSB}$  (peaking side) to target bias voltage.
5. Apply RF input power to desired level.

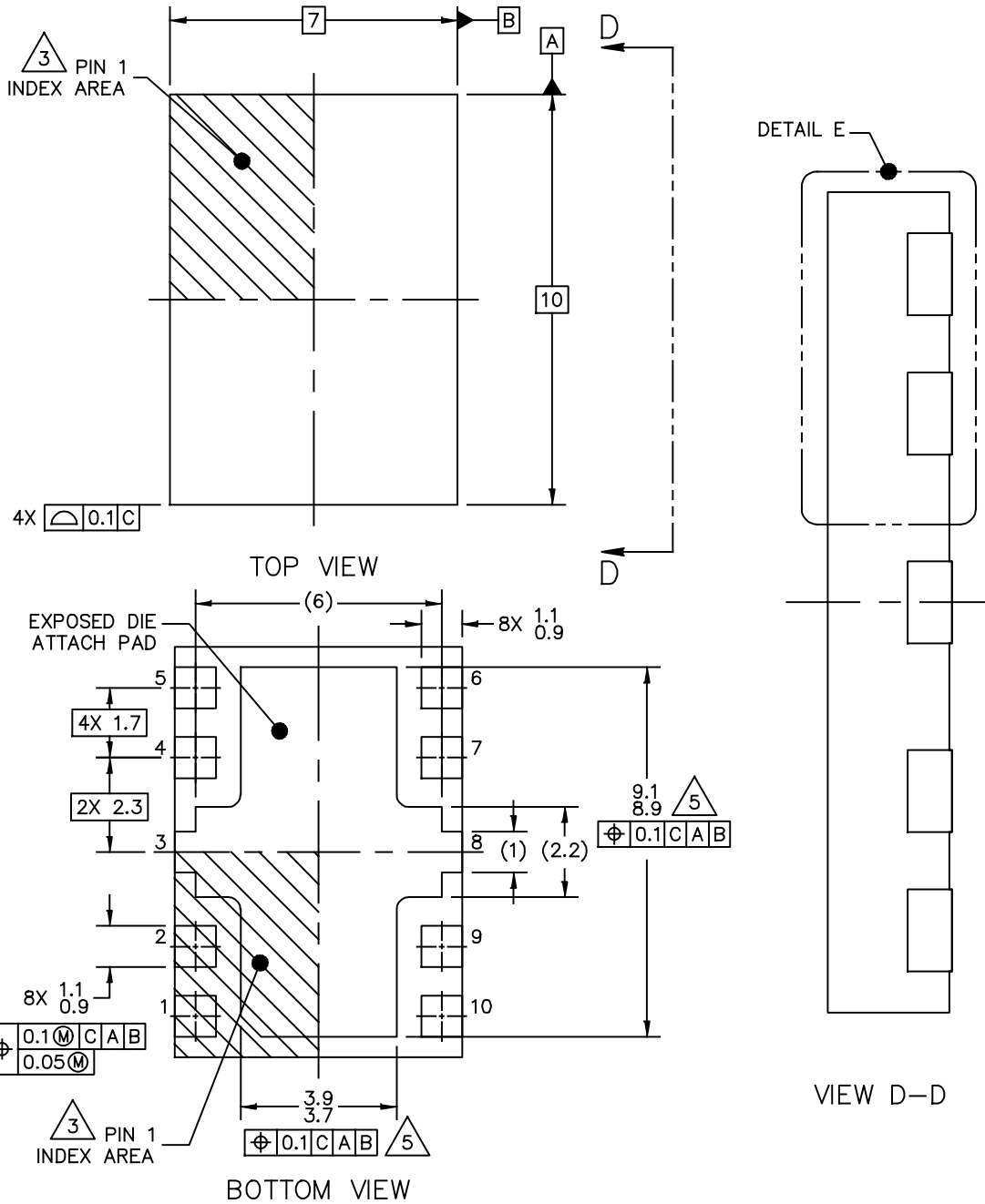
#### Bias OFF the device

1. Disable RF input power.
2. Adjust gate voltage  $V_{GSA}$  and  $V_{GSB}$  to -5 V.
3. Adjust drain voltage  $V_{DSA}$  and  $V_{DSB}$  to 0 V. Allow adequate time for drain voltage to reduce to 0 V from external drain capacitors.
4. Disable  $V_{GSA}$  and  $V_{GSB}$ .

# Package Information

H-PDFN-10 I/O  
7 X 10 X 1.51 PKG, 1.7 PITCH

SOT2053-1



RELEASED FOR EXTERNAL ASSEMBLY ONLY. THIS DESIGN ONLY MEETS EXTERNAL DESIGN AND ASSEMBLY RULES. MUST BE REVIEWED AND UPDATED BEFORE BEING ASSEMBLED INTERNALLY.

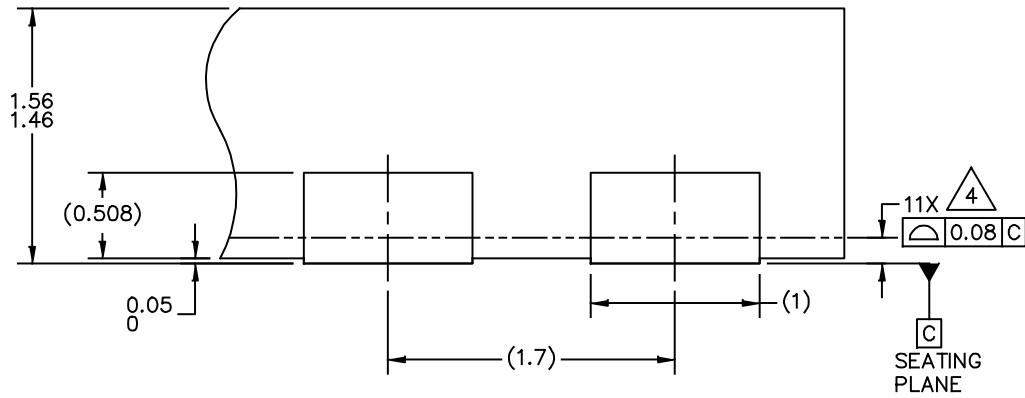
© NXP B.V. ALL RIGHTS RESERVED

DATE: 19 NOV 2019

MECHANICAL OUTLINE PRINT VERSION NOT TO SCALE	STANDARD: NON JEDEC	DRAWING NUMBER: 98ASA01557D	REVISION: 0	PAGE: 1 OF 6
--	------------------------	--------------------------------	----------------	-----------------

H-PDFN-10 I/O  
7 X 10 X 1.51 PKG, 1.7 PITCH

SOT2053-1



DETAIL E  
VIEW ROTATED 90°CW

RELEASED FOR EXTERNAL ASSEMBLY ONLY. THIS DESIGN ONLY MEETS EXTERNAL DESIGN AND ASSEMBLY RULES. MUST BE REVIEWED AND UPDATED BEFORE BEING ASSEMBLED INTERNALLY.

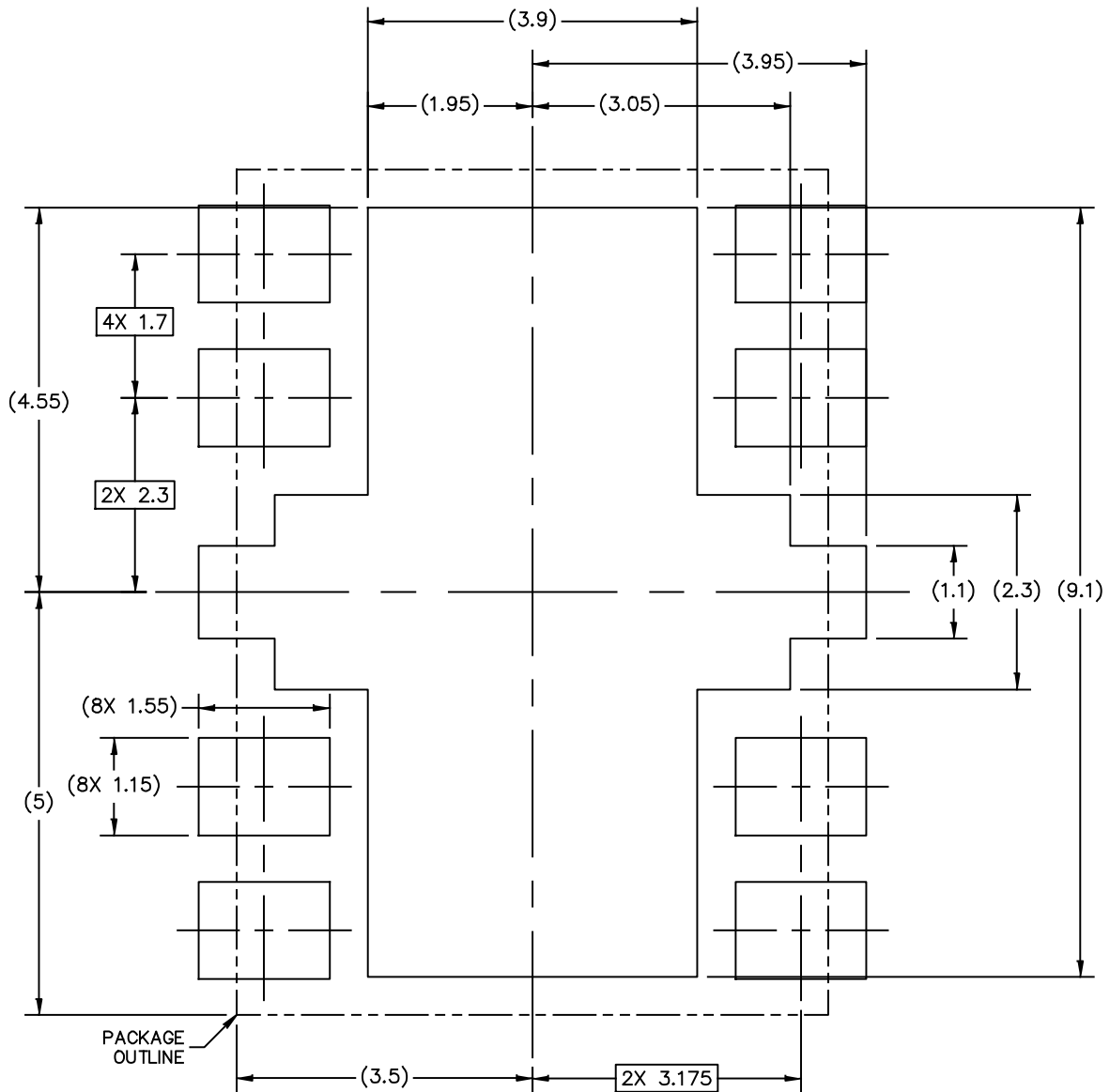
© NXP B.V. ALL RIGHTS RESERVED

DATE: 19 NOV 2019

MECHANICAL OUTLINE PRINT VERSION NOT TO SCALE	STANDARD: NON JEDEC	DRAWING NUMBER: 98ASA01557D	REVISION: 0	PAGE: 2
--	------------------------	--------------------------------	----------------	------------

H-PDFN-10 I/O  
7 X 10 X 1.51 PKG, 1.7 PITCH

SOT2053-1



PCB DESIGN GUIDELINES – SOLDER MASK OPENING PATTERN

THIS SHEET SERVES ONLY AS A GUIDELINE TO HELP DEVELOP A USER SPECIFIC SOLUTION. DEVELOPMENT EFFORT WILL STILL BE REQUIRED BY END USERS TO OPTIMIZE PCB MOUNTING PROCESSES AND BOARD DESIGN IN ORDER TO MEET INDIVIDUAL/SPECIFIC REQUIREMENTS.

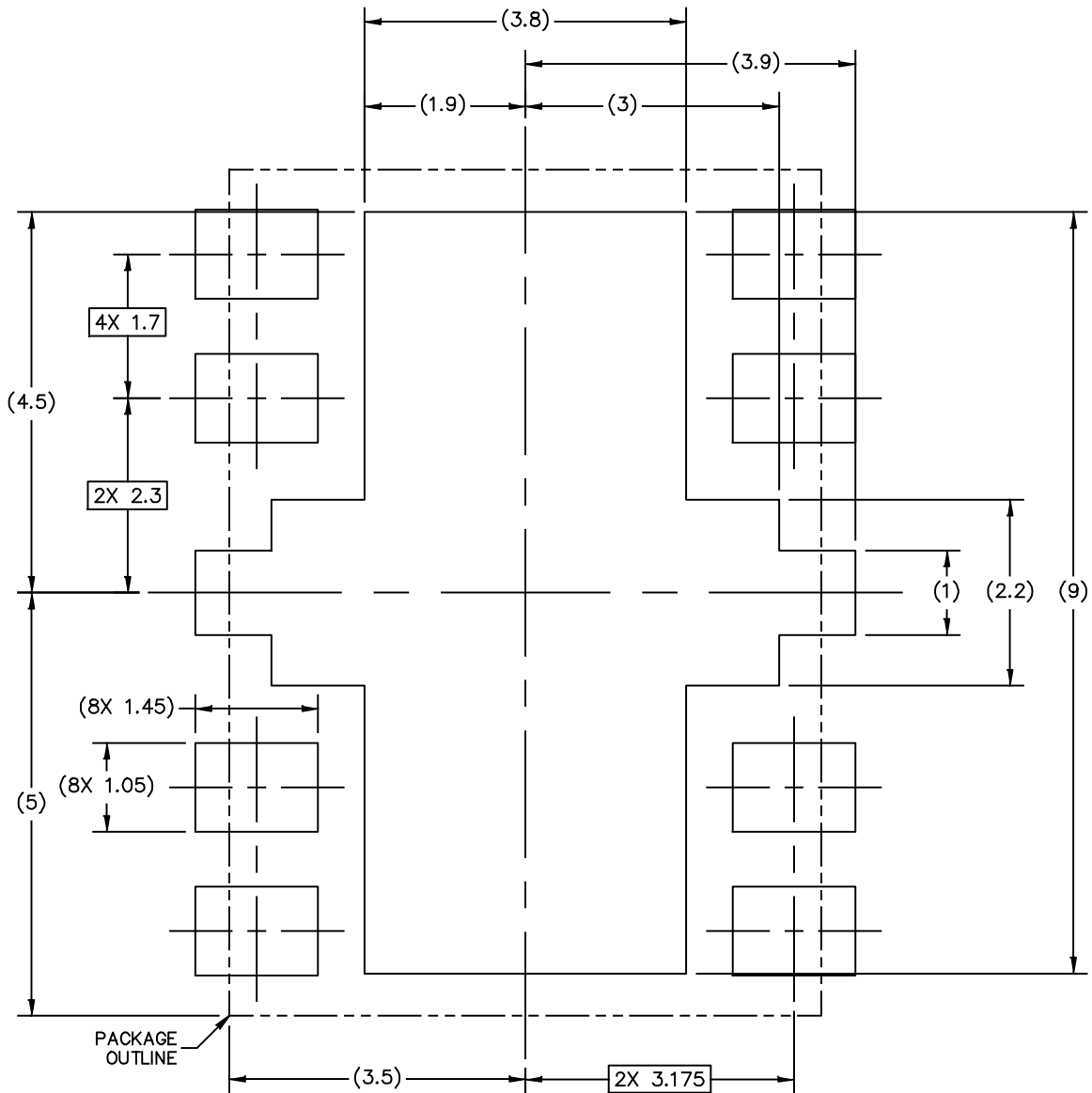
© NXP B.V. ALL RIGHTS RESERVED

DATE: 19 NOV 2019

MECHANICAL OUTLINE PRINT VERSION NOT TO SCALE	STANDARD: NON JEDEC	DRAWING NUMBER: 98ASA01557D	REVISION: 0	PAGE: 3
--	------------------------	--------------------------------	----------------	------------

H-PDFN-10 I/O  
7 X 10 X 1.51 PKG, 1.7 PITCH

SOT2053-1



PCB DESIGN GUIDELINES – I/O PADS AND SOLDERABLE AREA

THIS SHEET SERVES ONLY AS A GUIDELINE TO HELP DEVELOP A USER SPECIFIC SOLUTION. DEVELOPMENT EFFORT WILL STILL BE REQUIRED BY END USERS TO OPTIMIZE PCB MOUNTING PROCESSES AND BOARD DESIGN IN ORDER TO MEET INDIVIDUAL/SPECIFIC REQUIREMENTS.

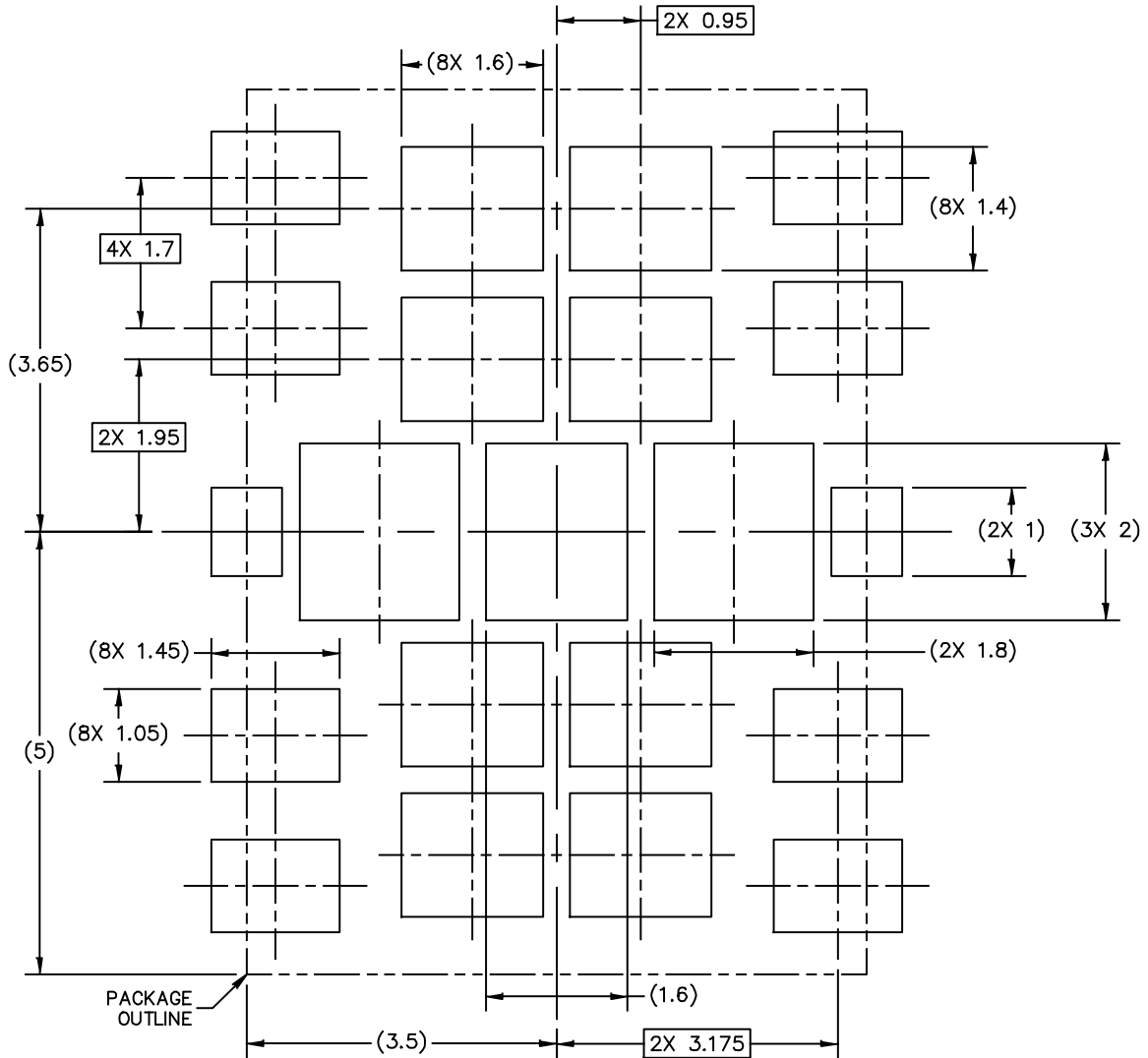
© NXP B.V. ALL RIGHTS RESERVED

DATE: 19 NOV 2019

MECHANICAL OUTLINE PRINT VERSION NOT TO SCALE	STANDARD: NON JEDEC	DRAWING NUMBER: 98ASA01557D	REVISION: 0	PAGE: 4
--	------------------------	--------------------------------	----------------	------------

H-PDFN-10 I/O  
7 X 10 X 1.51 PKG, 1.7 PITCH

SOT2053-1



RECOMMENDED STENCIL THICKNESS 0.125 OR 0.15

PCB DESIGN GUIDELINES – SOLDER PASTE STENCIL

THIS SHEET SERVES ONLY AS A GUIDELINE TO HELP DEVELOP A USER SPECIFIC SOLUTION. DEVELOPMENT EFFORT WILL STILL BE REQUIRED BY END USERS TO OPTIMIZE PCB MOUNTING PROCESSES AND BOARD DESIGN IN ORDER TO MEET INDIVIDUAL/SPECIFIC REQUIREMENTS.

© NXP B.V. ALL RIGHTS RESERVED

DATE: 19 NOV 2019

MECHANICAL OUTLINE PRINT VERSION NOT TO SCALE	STANDARD: NON JEDEC	DRAWING NUMBER: 98ASA01557D	REVISION: 0	PAGE: 5
--	------------------------	--------------------------------	----------------	------------



H-PDFN-10 I/O  
7 X 10 X 1.51 PKG, 1.7 PITCH

SOT2053-1

## NOTES:

1. ALL DIMENSIONS ARE IN MILLIMETERS.
2. DIMENSIONING AND TOLERANCING PER ASME Y14.5M-1994.
3. PIN 1 FEATURE SHAPE, SIZE AND LOCATION MAY VARY.
4. COPLANARITY APPLIES TO LEADS AND DIE ATTACH FLAG.
5. RADIUS ON DIE ATTACH FLAG IS OPTIONAL.

© NXP B.V. ALL RIGHTS RESERVED

DATE: 19 NOV 2019

MECHANICAL OUTLINE PRINT VERSION NOT TO SCALE	STANDARD: NON JEDEC	DRAWING NUMBER: 98ASA01557D	REVISION: 0	PAGE: 6
--	------------------------	--------------------------------	----------------	------------

## Product Documentation and Software

Refer to the following resources to aid your design process.

### Application Notes

- AN1907: Solder Reflow Attach Method for High Power RF Devices in Plastic Packages
- AN1955: Thermal Measurement Methodology of RF Power Amplifiers

### Software

- .s2p File

## Revision History

The following table summarizes revisions to this document.

Revision	Date	Description
0	Dec. 2021	<ul style="list-style-type: none"><li>• Initial release of data sheet</li></ul>

## ***How to Reach Us***

**Home Page:**  
nxp.com

**Web Support:**  
nxp.com/support

Information in this document is provided solely to enable system and software implementers to use NXP products. There are no express or implied copyright licenses granted hereunder to design or fabricate any integrated circuits based on the information in this document. NXP reserves the right to make changes without further notice to any products herein.

NXP makes no warranty, representation, or guarantee regarding the suitability of its products for any particular purpose, nor does NXP assume any liability arising out of the application or use of any product or circuit, and specifically disclaims any and all liability, including without limitation consequential or incidental damages. "Typical" parameters that may be provided in NXP data sheets and/or specifications can and do vary in different applications, and actual performance may vary over time. All operating parameters, including "typicals," must be validated for each customer application by customer's technical experts. NXP does not convey any license under its patent rights nor the rights of others. NXP sells products pursuant to standard terms and conditions of sale, which can be found at the following address: [nxp.com/SalesTermsandConditions](http://nxp.com/SalesTermsandConditions).

NXP, the NXP logo and Airfast are trademarks of NXP B.V. All other product or service names are the property of their respective owners.

© NXP B.V. 2021

**All rights reserved.**

For more information, please visit: <http://www.nxp.com>

For sales office addresses, please send an email to: [salesaddresses@nxp.com](mailto:salesaddresses@nxp.com)

Date of release: December 2021  
Document identifier: A5G35H120N