



# FXPS7115D4

Digital absolute pressure sensor, 40 kPa to 115 kPa

Rev. 4 — 17 July 2020

Product data sheet

## 1 General description

---

The FXPS7115D4 high-performance, high-precision barometric absolute pressure (BAP) sensor consists of a compact capacitive micro-electro-mechanical systems (MEMS) device coupled with a digital integrated circuit (IC) producing a fully calibrated digital output.

The sensor is based on NXP's high-precision capacitive pressure cell technology. The architecture benefits from redundant pressure transducers as an expanded quality measure. This sensor delivers highly accurate pressure and temperature readings through either a serial peripheral interface (SPI) or an inter-integrated circuit (I<sup>2</sup>C) interface. The FXPS7115D4 uses either a 3.3 V or 5.0 V power supply. Furthermore, the sensor employs an on-demand digital self-test for the digital IC and the MEMS transducers.

The sensor operates over a pressure range of 40 kPa to 115 kPa and over a wide temperature range of -40 °C to 130 °C.

The sensor comes in an industry-leading 4 mm x 4 mm x 1.98 mm, restriction of hazardous substances (RoHS) compliant, high power quad flat no lead (HQFN) package<sup>[1]</sup> suitable for small PCB integration. Its AEC-Q100<sup>[2]</sup> compliance, high accuracy, reliable performance, and high media resistivity make it ideal for use in automotive, industrial, and consumer applications.

## 2 Features and benefits

---

- Absolute pressure range: 40 kPa to 115 kPa
- Operating temperature range: -40 °C to 130 °C
- Pressure transducer and digital signal processor (DSP)
  - Digital self-test
- I<sup>2</sup>C compatible serial interface
  - Slave mode operation
  - Standard mode, fast mode, and fast-mode plus support
- 32-bit SPI compatible serial interface
  - Sensor data transmission commands
    - 12-bit data for absolute pressure
    - 8-bit data for temperature
    - 2-bit basic status and 2-bit detailed status fields
    - 3, 4, or 8-bit configurable CRC
- Capacitance to voltage converter with anti-aliasing filter
- Sigma delta ADC plus sinc filter
- 800 Hz or 1000 Hz low-pass filter for absolute pressure
- Lead-free, 16-pin HQFN, 4 mm x 4 mm x 1.98 mm package



## 3 Applications

### 3.1 Automotive

- Engine management digital BAP
- Small engine control

### 3.2 Industrial

- Compressed air
- Manufacturing line control
- Gas metering
- Weather stations

### 3.3 Medical/Consumer

- Blood pressure monitor
- Medicine dispensing systems
- White goods

## 4 Ordering information

Table 1. Ordering information

Type number	Package		
	Name	Description	Version
FXPS7115DI4 FXPS7115DS4	HQFN16	HQFN16, plastic, thermal enhanced quad flat pack; no leads; 16 terminals; 0.8 mm pitch; 4 mm x 4 mm x 1.98 mm body	SOT1573-1

### 4.1 Ordering options

Table 2. Ordering options

Device	Range [kPa]	Packing	Interface	Temperature range
FXPS7115DI4T1	40 kPa to 115 kPa	Tape and reel	I <sup>2</sup> C	−40 °C to 130 °C
FXPS7115DS4T1	40 kPa to 115 kPa	Tape and reel	SPI	−40 °C to 130 °C

**5 Block diagram**

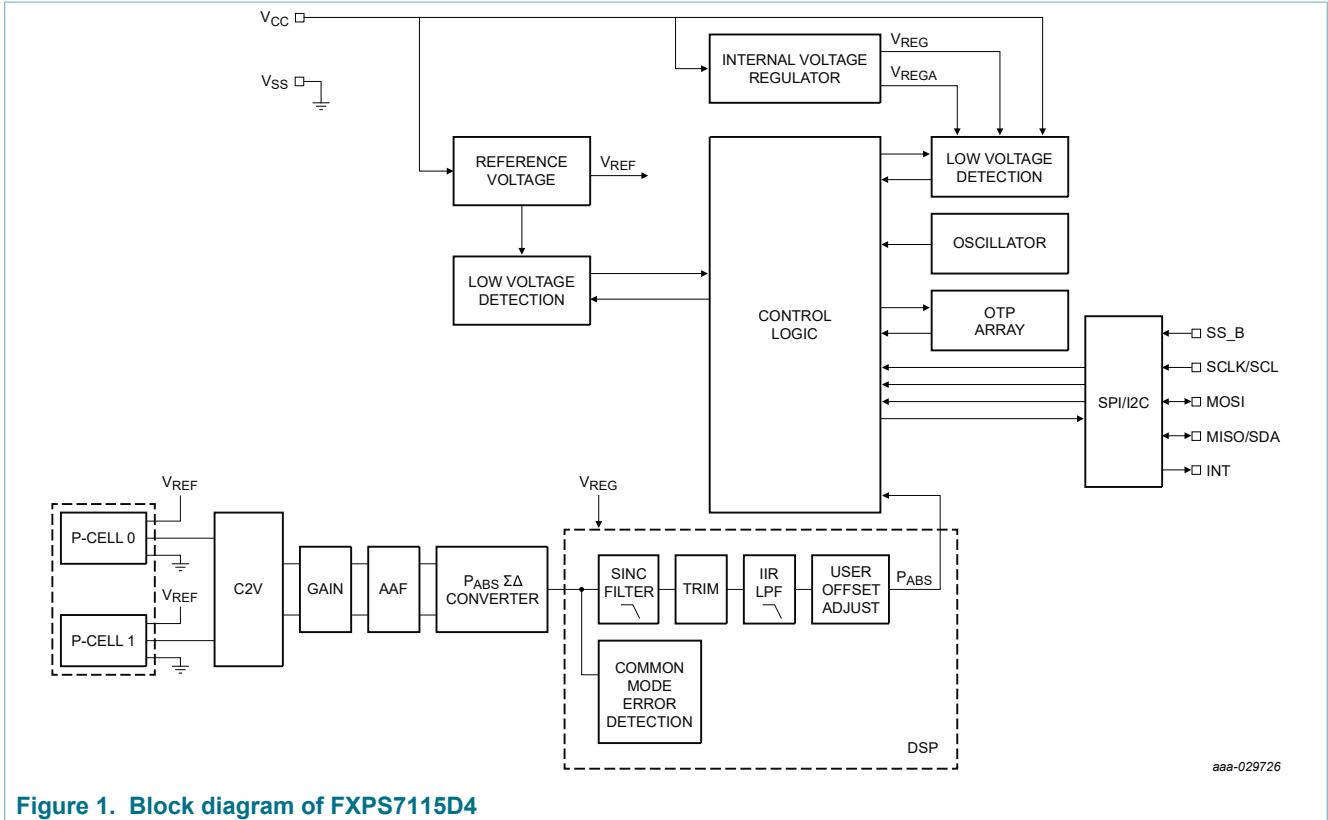


Figure 1. Block diagram of FXPS7115D4

**6 Pinning information**

**6.1 Pinning**

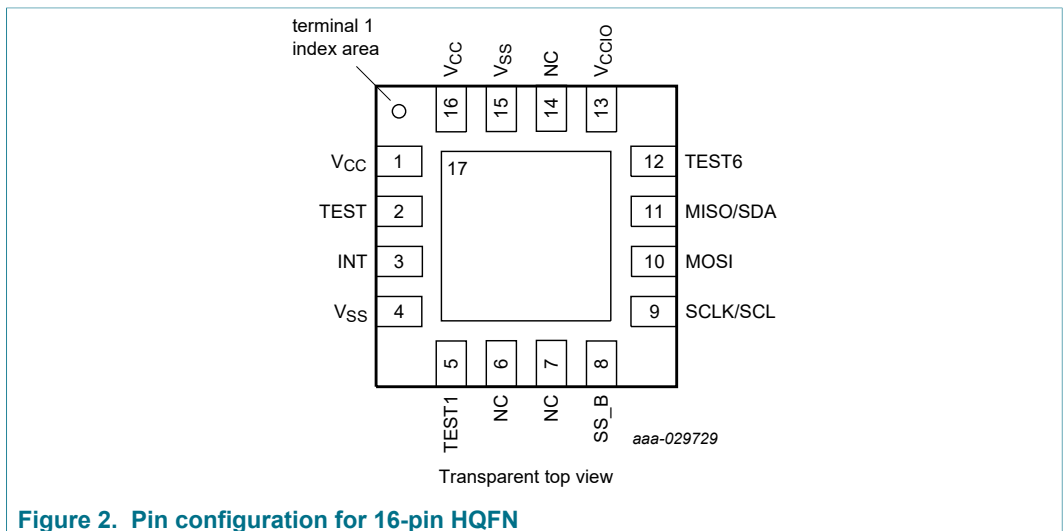


Figure 2. Pin configuration for 16-pin HQFN

## 6.2 Pin description

Table 3. Pin description

Pin	Pin name	Description
3	INT	Interrupt output The output can be configured to be active low or active high. If unused, NXP recommends pin 3 be unterminated. Optionally, pin 3 can be tied to V <sub>SS</sub> .
1, 16	V <sub>CC</sub>	Power supply
4, 15	V <sub>SS</sub>	Supply return (ground)
2, 5, 12	TESTx	Test pin NXP recommends pins 2, 5, and 12 be unterminated. Optionally, these pins can be tied to V <sub>SS</sub> .
6, 7, 14	NC	No connect
8	SS_B	Slave / Device select In I <sup>2</sup> C mode, input pin 8 must be connected to V <sub>CC</sub> with an external pull-up resistor, as shown in the application diagram. In SPI mode, input pin 8 provides the slave select for the SPI port. An internal pull-up device is connected to this pin.
9	SCLK/SCL	In I <sup>2</sup> C mode, input pin 9 provides the serial clock. This pin must be connected to V <sub>CC</sub> with an external pull-up resistor, as shown in the application diagram. In SPI mode, input pin 9 provides the serial clock. An internal pull-down device is connected to this pin.
10	MOSI	SPI data in In SPI mode, pin 10 functions as the serial data input to the SPI port. An internal pull-down device is connected to this pin.
11	MISO/SDA	SPI/I <sup>2</sup> C data out In I <sup>2</sup> C mode, pin 11 functions as the serial data input/output. Pin 11 must be connected to V <sub>CC</sub> with an external pull-up resistor, as shown in the application diagram. In SPI mode, pin 11 functions as the serial data output.
13	V <sub>CCIO</sub>	I/O supply Pin 13 must be connected to V <sub>CC</sub> , the device supply.
17	PAD	Die attach pad Pin 17 is the die attach flag, and must be connected to V <sub>SS</sub> .

## 7 Functional description

### 7.1 Voltage regulators

The device derives its internal supply voltage from the V<sub>CC</sub> and V<sub>SS</sub> pins. An external filter capacitor is required for V<sub>CC</sub>, as shown in [Figure 25](#) and [Figure 26](#).

A reference generator provides a reference voltage for the  $\Sigma\Delta$  converter.

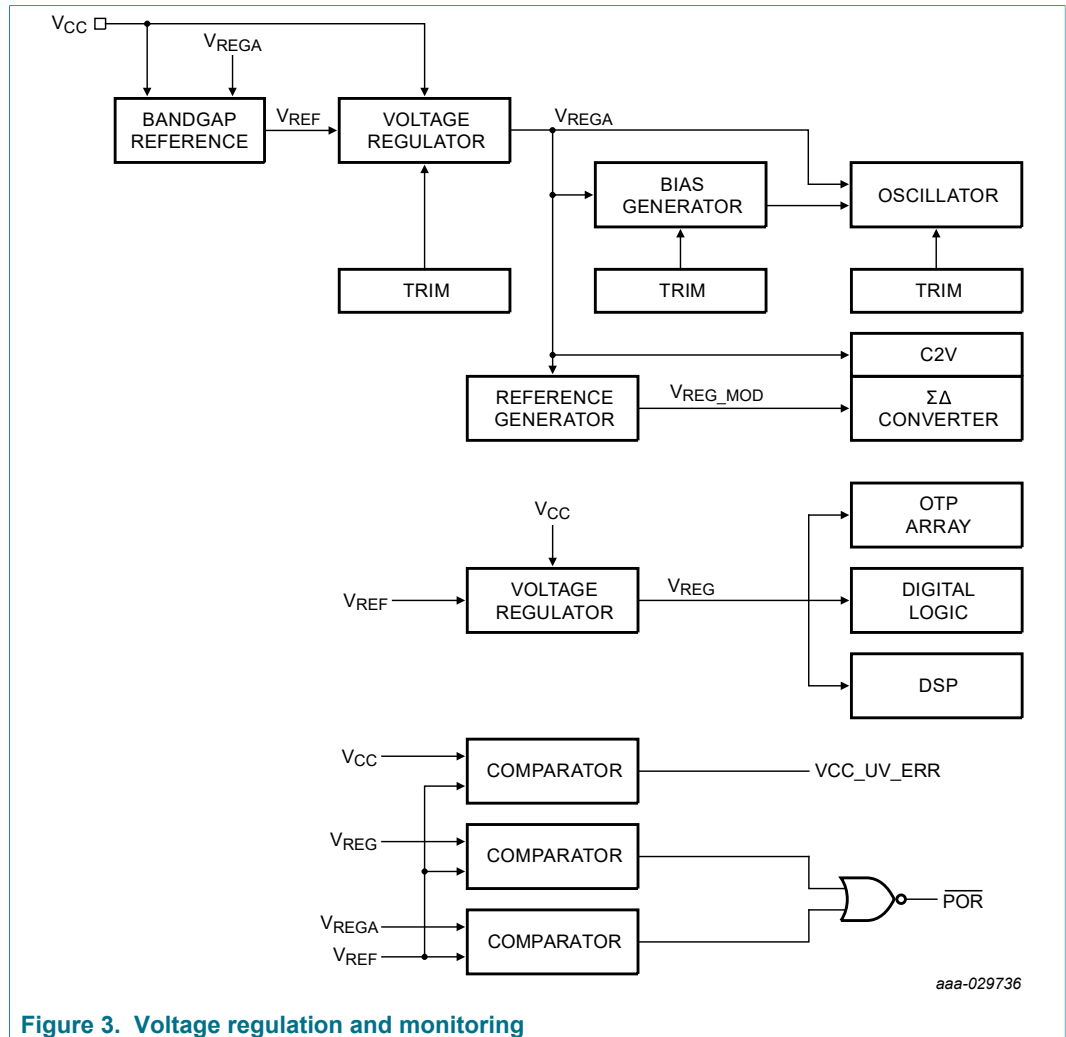


Figure 3. Voltage regulation and monitoring

### 7.1.1 $V_{CC}$ , $V_{REG}$ , $V_{REGA}$ , undervoltage monitor

A circuit is incorporated to monitor the  $V_{CC}$  supply voltage and the internally regulated voltages  $V_{REG}$  and  $V_{REGA}$ . If any of the voltages fall below the specified undervoltage thresholds in [Table 104](#), SPI and I<sup>2</sup>C transactions are terminated. Once the supply returns above the threshold, the device resumes responses.

## 7.2 Internal oscillator

The device includes a factory trimmed oscillator.

## 7.3 Pressure sensor signal path

### 7.3.1 Self-test functions

The device includes analog and digital self-test functions to verify the functionality of the transducer and the signal chain. The self-test functions are selected by writing to the ST\_CTRL[3:0] bits in the DSP\_CFG\_U1 register. The ST\_CTRL bits select the desired self-test connection.

Once the ENDINIT bit is set, the ST\_CTRL bits are forced to '0000'. Future writes to the ST\_CTRL bits are disabled until a device reset.

7.3.1.1 P<sub>ABS</sub> common mode verification

When the P<sub>ABS</sub> common mode self-test is selected, the ST\_ACTIVE bit is set, the ST\_ERROR is cleared, and the device begins an internal measurement of the common mode signal of the P-cells and compares the result against a predetermined limit. If the result exceeds the limit, the ST\_ERROR bit is set. The P<sub>ABS</sub> common mode self-test repeats continuously every t<sub>ST\_INIT</sub> when the ST\_CTRL bits are set to the specified value. Once the test is disabled, the ST\_ERROR bit updates with the final test result within t<sub>ST\_INIT</sub> of disabling the test. The ST\_ACTIVE bit remains set until the final test result is reported. Figure 4 is an example of a user-controlled self-test procedure.

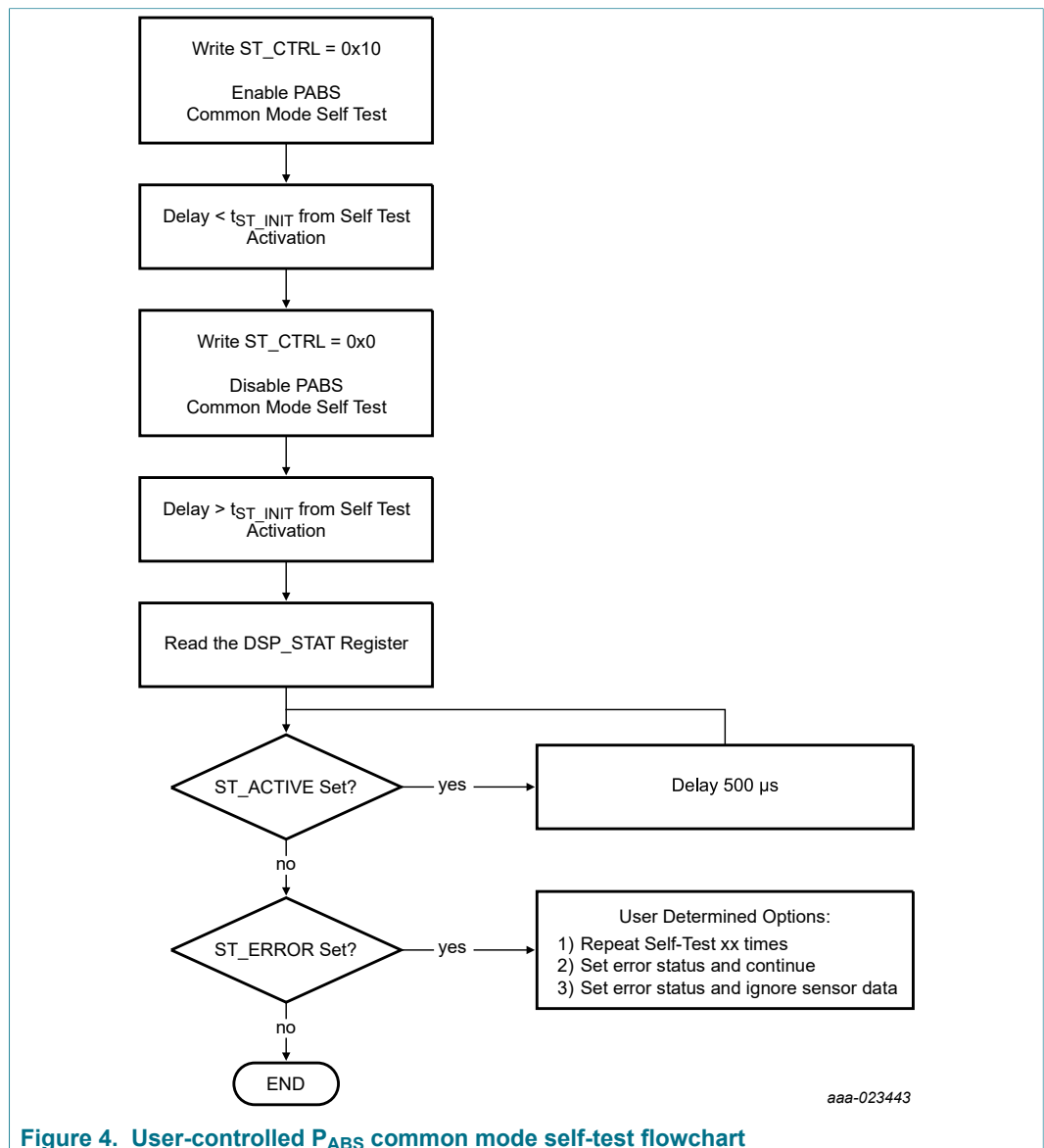


Figure 4. User-controlled P<sub>ABS</sub> common mode self-test flowchart

**7.3.1.2 Startup digital self-test verification**

Four unique fixed values can be forced at the output of the sinc filter by writing to the ST\_CTRL bits as shown in [Table 4](#). The digital self-test values result in a constant value at the output of the signal chain. After a specified time period, the SNS\_DATAx register value can be verified against the specified values in the table below. The values listed below are for the P\_ABS signal. When any of these self-test functions are selected, the ST\_ACTIVE bit is set. These signals can only be selected when the ENDINIT bit is not set.

**Table 4. Self-test control register**

ST_CTRL[3]	ST_CTRL[2]	ST_CTRL[1]	ST_CTRL[0]	Function	SNS_DATAx register contents
1	1	0	0	Digital self-test #1	8171h
1	1	0	1	Digital self-test #2	6C95h
1	1	1	0	Digital self-test #3	807Ah
1	1	1	1	Digital self-test #4	78ACh

**7.3.1.3 Startup sense data fixed value verification**

Four unique fixed values can be forced to the SNS\_DATAx\_x registers by writing to the ST\_CTRL bits as shown in [Table 5](#). When any of these values are selected, the ST\_ACTIVE bit is set. These signals can only be selected when the ENDINIT bit is not set.

**Table 5. Self-test control bits for sense data fixed value verification**

ST_CTRL[3]	ST_CTRL[2]	ST_CTRL[1]	ST_CTRL[0]	Function	SNS_DATAx register contents
0	1	0	0	DSP write to SNS_DATAx_X registers inhibited.	0000h
0	1	0	1	DSP write to SNS_DATAx_X registers inhibited.	AAAAh
0	1	1	0	DSP write to SNS_DATAx_X registers inhibited.	5555h
0	1	1	1	DSP write to SNS_DATAx_X registers inhibited.	FFFFh

**7.3.2  $\Sigma\Delta$  converter**

A second order sigma delta modulator converts the voltage from the analog front end to a data stream that is input to the DSP. A simplified block diagram is shown in [Figure 5](#).

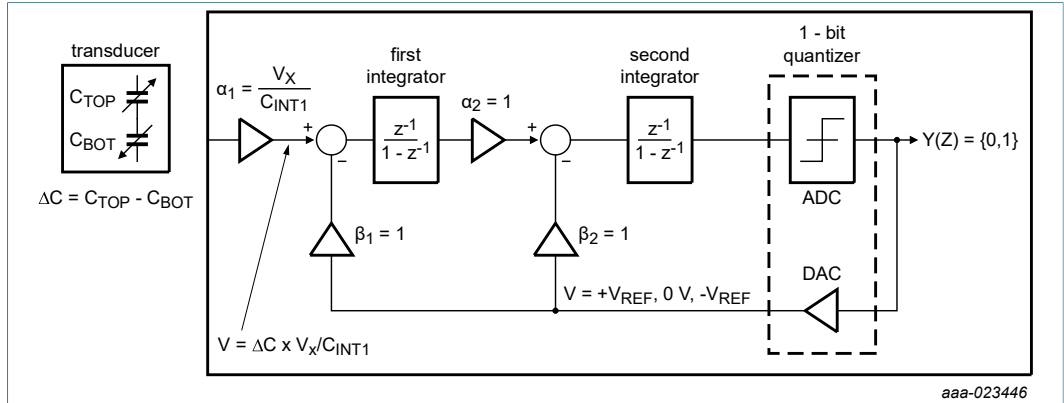


Figure 5. ΣΔ converter block diagram

The sigma delta modulator operates at a frequency of 1 MHz, with the transfer function in Equation 1.

$$H(Z) = \frac{\alpha_1}{Z^2} \tag{1}$$

7.3.3 Digital signal processor (DSP)

A DSP is used to perform signal filtering and compensation. A diagram illustrating the signal processing flow within the DSP is shown in Figure 6.

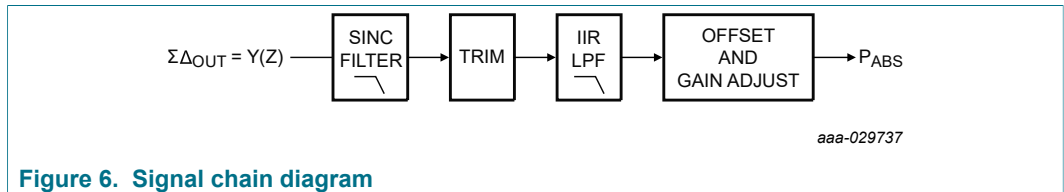


Figure 6. Signal chain diagram

7.3.3.1 Decimation sinc filter

In Equation 2, the output of the ΣΔ modulator is decimated and converted to a parallel value by two third-order sinc filters; the first with a decimation ratio of 24 and the second with a decimation ratio of 4.

$$H(Z) = \left(\frac{1}{24^3}\right) \times \left(\frac{1 - Z^{-24}}{1 - Z^{-1}}\right)^3 \quad H(Z) = \left(\frac{1}{4^3}\right) \times \left(\frac{1 - Z^{-4}}{1 - Z^{-1}}\right)^3 \tag{2}$$



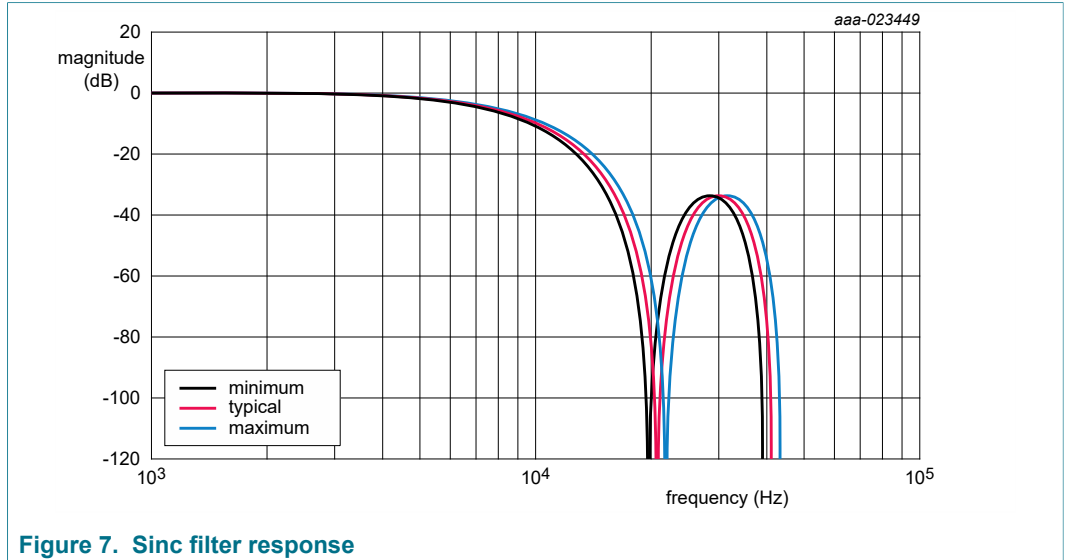


Figure 7. Sinc filter response

7.3.3.2 Signal trim and compensation

The device includes digital trim to compensate for sensor offset, sensitivity, and nonlinearity over temperature.

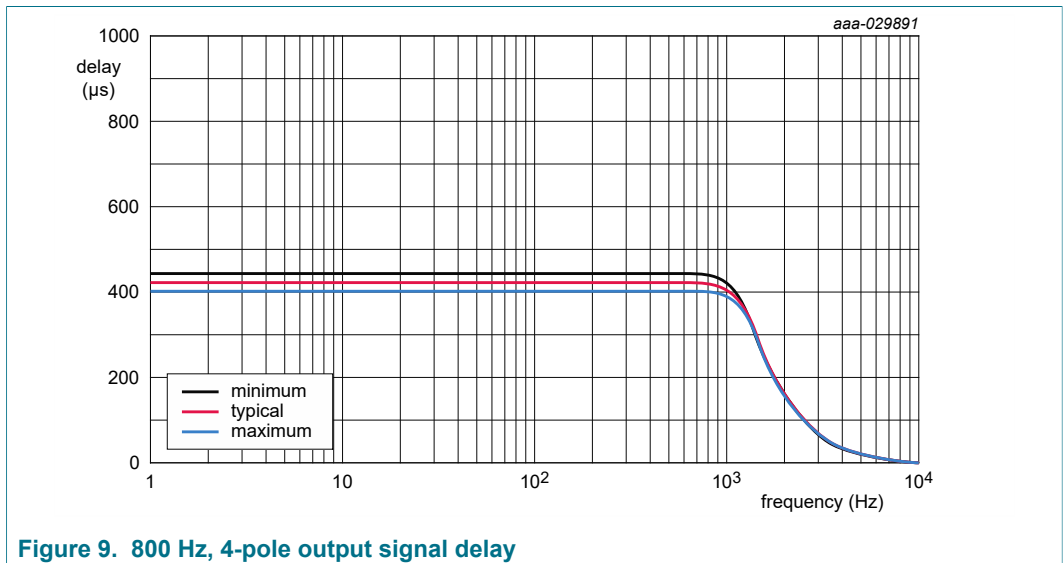
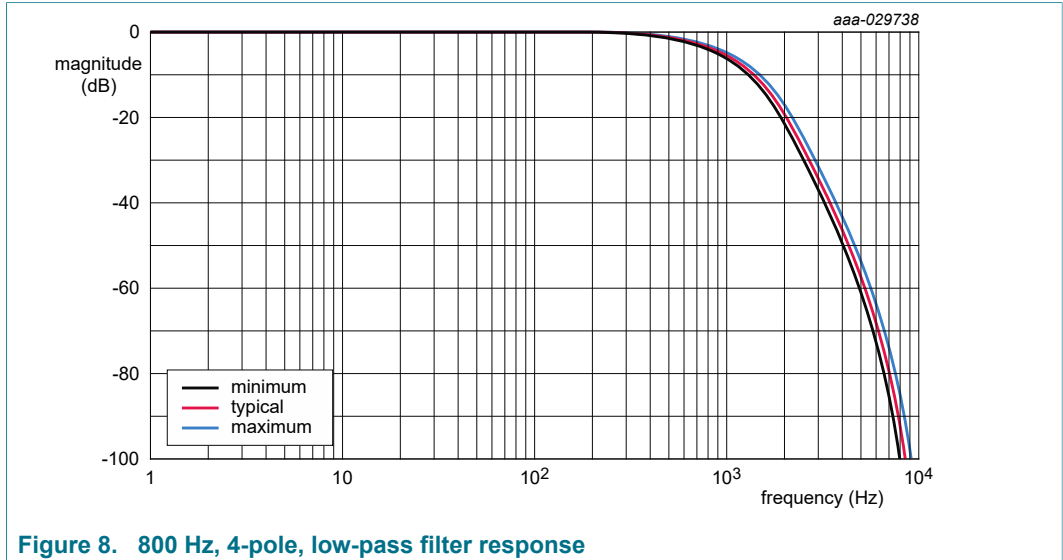
7.3.3.3 Low-pass filter

Data from the sinc filter is processed by an infinite impulse response (IIR) low-pass filter with the transfer function and coefficients shown in Equation 3.

$$H(Z) = a_0 \times \frac{(n_{11} \times z^0) + (n_{12} \times z^{-1}) + (n_{13} \times z^{-2})}{(d_{11} \times z^0) + (d_{12} \times z^{-1}) + (d_{13} \times z^{-2})} \times \frac{(n_{21} \times z^0) + (n_{22} \times z^{-1}) + (n_{23} \times z^{-2})}{(d_{21} \times z^0) + (d_{22} \times z^{-1}) + (d_{23} \times z^{-2})} \quad (3)$$

Table 6. IIR low pass filter coefficients

Filter number	Typical -3 dB frequency	Filter order	Filter coefficients (24 bit)				Group delay (µs)	Typical attenuation @ 1000 Hz (dB)
			a <sub>0</sub>	n <sub>11</sub>	n <sub>12</sub>	n <sub>13</sub>		
1	800 Hz	4	a <sub>0</sub>	0.088642612609670	—	—	418	4.95
			n <sub>11</sub>	0.029638050039039	d <sub>11</sub>	1		
			n <sub>12</sub>	0.087543281056143	d <sub>12</sub>	-1.422792640957290		
			n <sub>13</sub>	0.029695285913601	d <sub>13</sub>	0.511435253566960		
			n <sub>21</sub>	0.250241278804809	d <sub>21</sub>	1		
			n <sub>22</sub>	0.499999767379068	d <sub>22</sub>	-1.503329908017845		
			n <sub>23</sub>	0.249758953816089	d <sub>23</sub>	0.621996524706640		
2	1000 Hz	4	a <sub>0</sub>	0.129604264748411	—	—	333	2.99
			n <sub>11</sub>	0.043719804402508	d <sub>11</sub>	1		
			n <sub>12</sub>	0.087543281056143	d <sub>12</sub>	-1.300502656562698		
			n <sub>13</sub>	0.043823599710731	d <sub>13</sub>	0.430106921311110		
			n <sub>21</sub>	0.250296586927511	d <sub>21</sub>	1		
			n <sub>22</sub>	0.499999648540934	d <sub>22</sub>	-1.379959571988366		
			n <sub>23</sub>	0.249703764531484	d <sub>23</sub>	0.555046257157745		



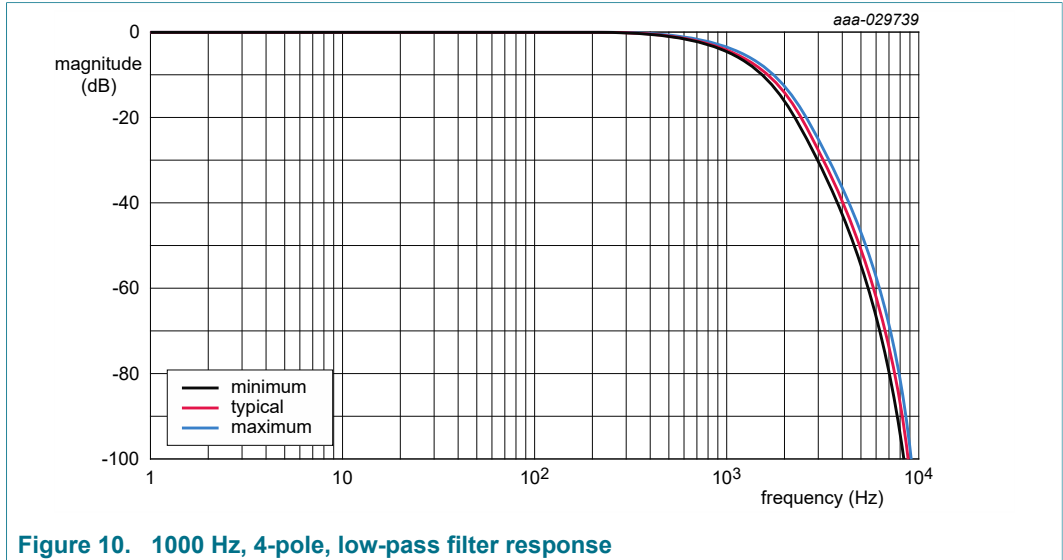


Figure 10. 1000 Hz, 4-pole, low-pass filter response

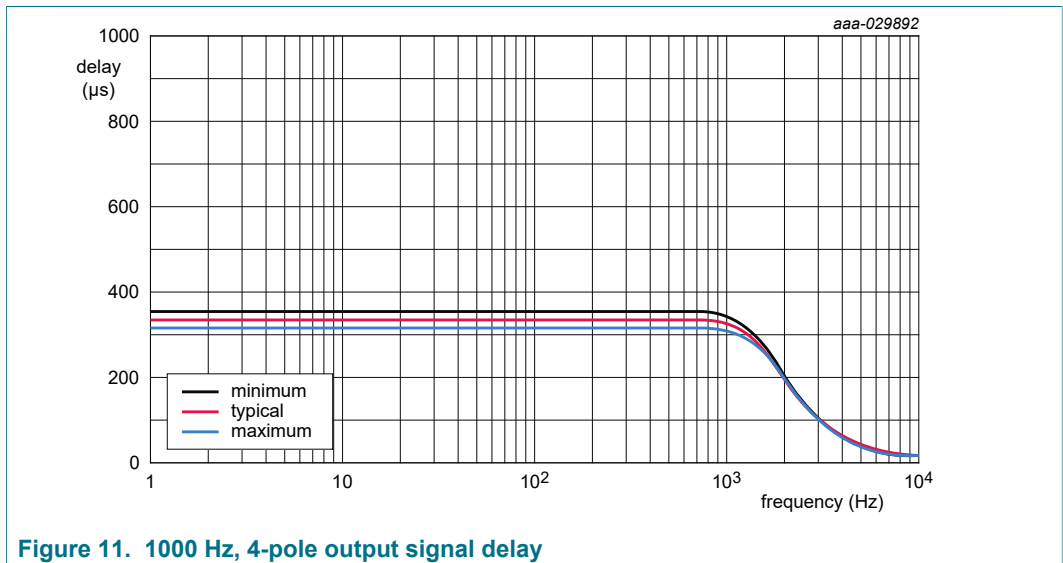


Figure 11. 1000 Hz, 4-pole output signal delay

7.3.3.4 Absolute pressure output data scaling equation

Equation 4 is used to convert absolute pressure readings with the variables as specified in Table 7. Note, the specified values apply only if the P\_CAL\_ZERO value is set to 0000h.

$$PABS_{kPa} = \frac{PABS_{LSB} - PABS_{OFF_{LSB}}}{PABS_{SENSE}} \tag{4}$$

Where:

- PABS<sub>kPa</sub> = The absolute pressure output in kPa
- PABS<sub>LSB</sub> = The absolute pressure output in LSB

PABSOFF<sub>LSB</sub> = The internal trimmed absolute pressure output value at 0 kPa in LSB  
 PABS<sub>SENSE</sub> = The trimmed absolute pressure sensitivity in LSB/kPa

Table 7. Scaling parameters

Range	Data reading	PABSOFF <sub>LSB</sub> (LSB)	PABS <sub>SENSE</sub> (LSB/kPa)
40 - 115 kPa	12-bit sensor data request	-1566.6	46.67
	16-bit register/data read 62h and 63h	25536	93.34
	Interrupt threshold registers 46h to 49h	25536	93.34
	16-bit sensor data request	-25084	746.7

### 7.3.4 Temperature sensor

#### 7.3.4.1 Temperature sensor signal chain

The device includes a temperature sensor for signal compensation and user readability. Figure 12 shows a simplified block diagram. Temperature sensor parameters are specified in Table 104 and Table 105.

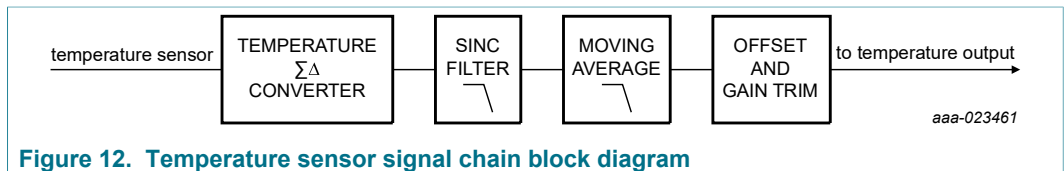


Figure 12. Temperature sensor signal chain block diagram

#### 7.3.4.2 Temperature sensor output scaling equation

Equation 5 is used to convert temperature readings with the variables specified in Table 8.

$$T_{DEGC} = \frac{T_{LSB} - T0_{LSB}}{T_{SENSE}} \tag{5}$$

where:

- T<sub>DEGC</sub> = The temperature output in degrees C
- T<sub>LSB</sub> = The temperature output in LSB
- T0<sub>LSB</sub> = The expected temperature output in LSB at 0 °C
- T<sub>SENSE</sub> = The expected temperature sensitivity in LSB/°C

Table 8. Temperature conversion variables

Data reading	T0 <sub>LSB</sub> (LSB)	T <sub>SENSE</sub> LSB/C)
8-bit register read	68	1

### 7.3.5 Common mode error detection signal chain

The device includes a continuous pressure transducer common mode error detection. A simplified block diagram is shown in Figure 13. The common mode error signal is compared against the normal absolute pressure signal. If the comparison falls outside of pre-determined limits, the CM\_ERROR bit in the DSP\_STAT register is set. Once the

error condition is removed, the CM\_ERROR bit is cleared as specified in [Section 7.7.16 "DSP\\_STAT - DSP-specific status register \(address 60h\)"](#).

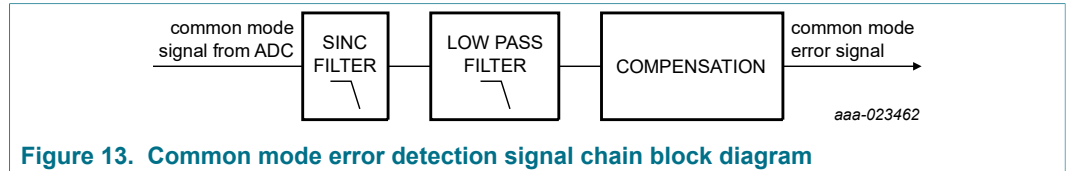


Figure 13. Common mode error detection signal chain block diagram

## 7.4 Inter-integrated circuit (I<sup>2</sup>C) interface

The device includes an interface compliant to the NXP I<sup>2</sup>C-bus specification<sup>[3]</sup>. The device operates in slave mode and includes support for standard mode, fast mode, and fast mode plus, although the maximum practical operating frequency for I<sup>2</sup>C in a given system implementation depends on several factors including the pull-up resistor values and the total bus capacitance.

### 7.4.1 I<sup>2</sup>C bit transmissions

The state of SDA when SCL is high determines the bit value being transmitted. SDA must be stable when SCL is high and change when SCL is low as shown in [Figure 14](#). After the START signal has been transmitted by the master, the bus is considered busy. Timing for the start condition is specified in [Table 105](#).

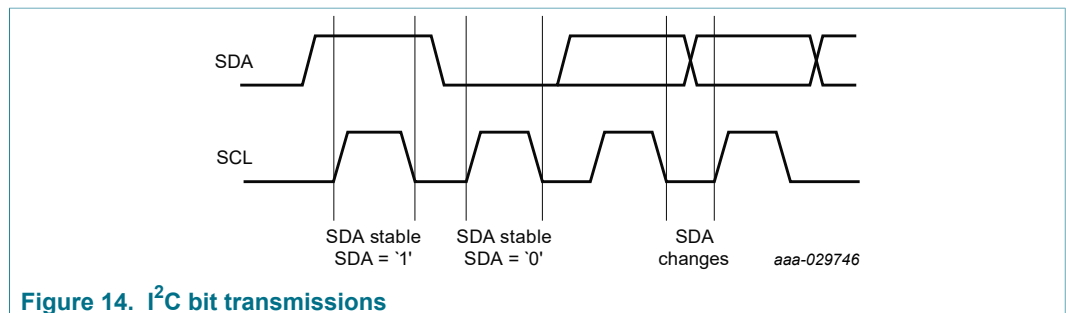


Figure 14. I<sup>2</sup>C bit transmissions

### 7.4.2 I<sup>2</sup>C start condition

A bus operation is always started with a start condition (START) from the master. A START is defined as a high to low transition on SDA while SCL is high as shown in [Figure 15](#). After the START signal has been transmitted by the master, the bus is considered busy. Timing for the start condition is specified in [Table 105](#).

A start condition (START) and a repeat START condition (rSTART) are identical.

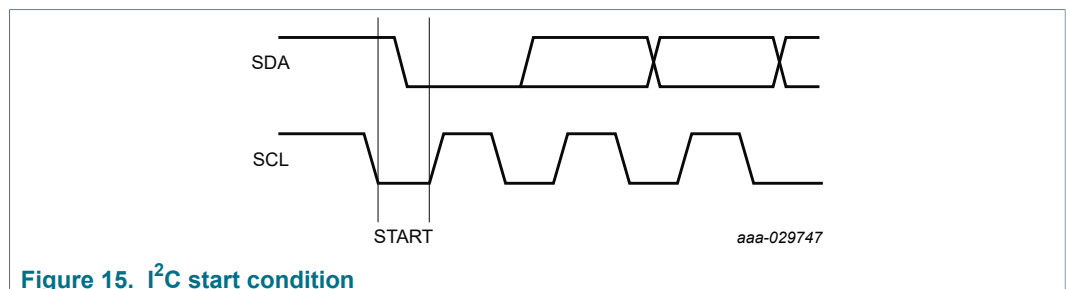


Figure 15. I<sup>2</sup>C start condition

### 7.4.3 I<sup>2</sup>C byte transmission

Data transfers are completed in byte increments. The number of bytes that can be transmitted per transfer is unrestricted. Each byte must be followed by an acknowledge bit ([Section 7.4.4 "I<sup>2</sup>C acknowledge and not acknowledge transmissions"](#)) from the receiver. Data is transferred with the most significant bit (MSB) first (see [Figure 16](#)). The master generates all clock pulses, including the ninth clock for the acknowledge bit. Timing for the byte transmissions is specified in [Section 7.4.4 "I<sup>2</sup>C acknowledge and not acknowledge transmissions"](#). All functions for this device are completed within the acknowledge clock pulse. Clock stretching is not used.

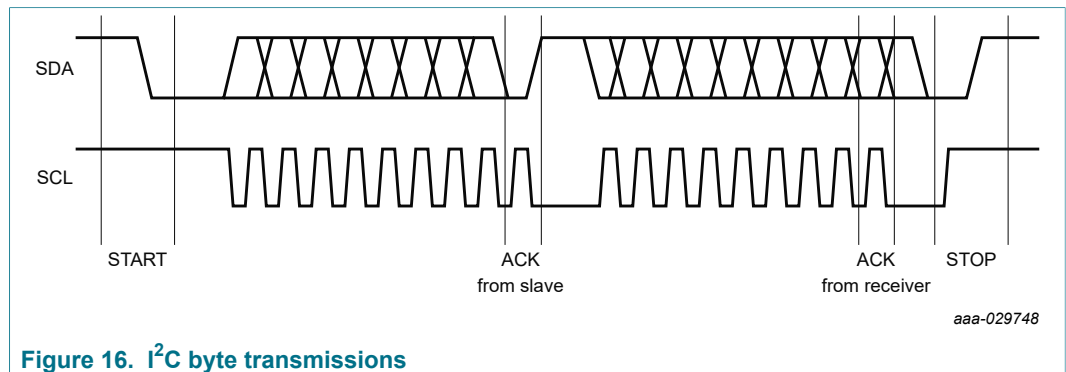


Figure 16. I<sup>2</sup>C byte transmissions

### 7.4.4 I<sup>2</sup>C acknowledge and not acknowledge transmissions

Each byte must be followed by an acknowledge bit (ACK) from the receiver. For an ACK, the transmitter releases SDA during the acknowledge clock pulse and the receiver pulls SDA low during the high portion of the clock pulse. Set up and hold times as specified in [Table 105](#) must also be taken into account.

For a not acknowledge bit (NACK), SDA remains high during the entire acknowledge clock pulse. Five conditions lead to a NACK:

1. No receiver is present on the bus with the transmitted address.
2. The addressed receiver is unable to receive or transmit because it is performing some real-time function and is not ready to start communication with the master.
3. The receiver receives unrecognized data or commands.
4. The receiver cannot receive any more data bytes.
5. The master-receiver signals the end of the transfer to the slave transmitter.

Following a NACK, the master can transmit either a STOP to terminate the transfer, or a repeated START to initiate a new transfer.

An example ACK and NACK are shown in [Figure 17](#).

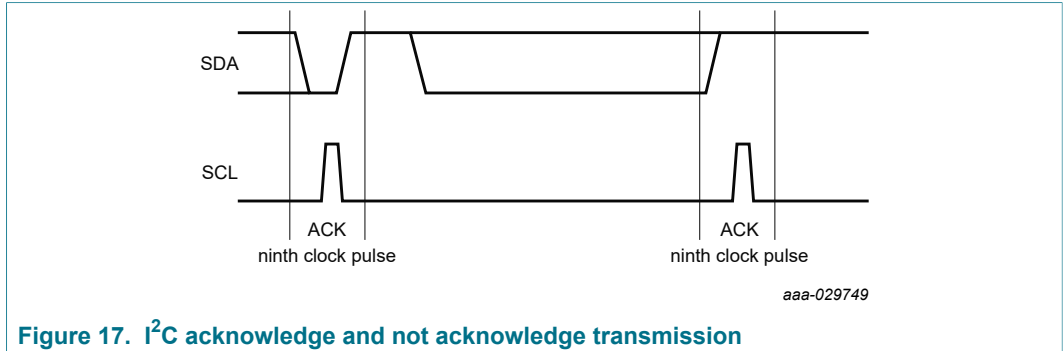


Figure 17. I<sup>2</sup>C acknowledge and not acknowledge transmission

7.4.5 I<sup>2</sup>C stop condition

A bus operation is always terminated with a stop condition (STOP) from the master. A STOP is defined as a low to high transition on SDA while SCL is high as shown in Figure 18. After the STOP has been transmitted by the master, the bus is considered free. Timing for the stop condition is specified in Table 105.

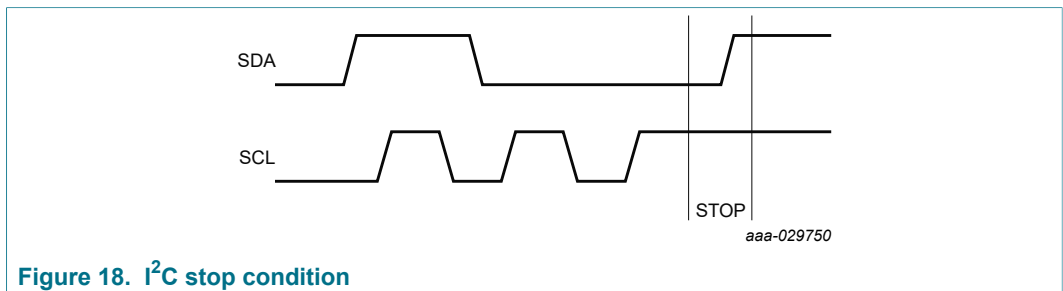


Figure 18. I<sup>2</sup>C stop condition

7.4.6 I<sup>2</sup>C register transfers

7.4.6.1 Register write transfers

The device supports I<sup>2</sup>C register write data transfers. Register write data transfers are constructed as follows:

1. The master transmits a START condition.
2. The master transmits the 7-bit slave address.
3. The master transmits a '0' for the read/write bit to indicate a write operation.
4. The slave transmits an ACK.
5. The master transmits the register address to be written.
6. The slave transmits an ACK.
7. The master transmits the data byte to be written to the register address.
8. The slave transmits an ACK.
9. The master transmits a STOP condition.



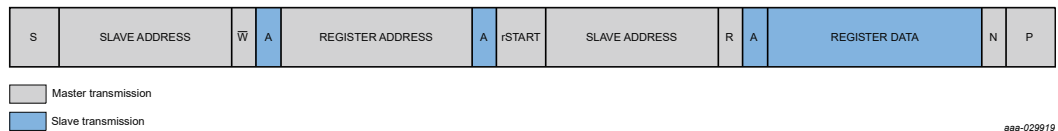
The device automatically increments the register address allowing for multiple register writes to be completed in one transaction. In this case, the register write data transfers are constructed as follows:

1. The master transmits a START condition.
2. The master transmits the 7-bit slave address.
3. The master transmits a '0' for the read/write bit to indicate a write operation.
4. The slave transmits an ACK.
5. The master transmits the register address to be written.
6. The slave transmits an ACK.
7. The master transmits the data byte to be written to the register address.
8. The slave transmits an ACK.
9. The master transmits the data byte to be written to the register address + 1.
10. The slave transmits an ACK.
11. Repeat steps 9 and 10 until all registers are written.
12. The master transmits a STOP condition.

**7.4.6.2 Register read transfers**

The device supports I<sup>2</sup>C register read data transfers. Register read data transfers are constructed as follows:

1. The master transmits a START condition.
2. The master transmits the 7-bit slave address.
3. The master transmits a '0' for the read/write bit to indicate a write operation.
4. The slave transmits an ACK.
5. The master transmits the register address to be read.
6. The slave transmits an ACK.
7. The master transmits a repeat START condition.
8. The master transmits the 7-bit slave address.
9. The master transmits a '1' for the read/write bit to indicate a read operation.
10. The slave transmits an ACK.
11. The slave transmits the data from the register addressed.
12. The master transmits a NACK.
13. The master transmits a STOP condition.



**7.4.6.3 Sensor data register read wrap around**

The device includes automatic sensor data register read wrap-around features to optimize the number of I<sup>2</sup>C transactions necessary for continuous reads of sensor data. Depending on the state of the SIDx\_EN bits in the SOURCEID\_0 and SOURCEID\_1 registers, the register address automatically wraps back to the DEVSTAT\_COPY register as shown in [Table 9](#).



Table 9. Sensor data register read wrap-around description

SID1_EN	SID0_EN	Address increment and wrap-around effect	Optimized register-read sequence
0	0	Address wraps around from FFh to 00h	None
0	1	Address wraps from 63h (SNSDATA0_H) to 61h (DEVSTAT_COPY)	DEVSTAT_COPY, SNSDATA0_L, SNSDATA0_H
1	0	Address wraps from 65h (SNSDATA1_H) to 61h (DEVSTAT_COPY)	DEVSTAT_COPY, SNSDATA0_L, SNSDATA0_H, SNSDATA1_L, SNSDATA1_H
1	1	Address wraps from 69h (SNSDATA0_TIME3) to 61h (DEVSTAT_COPY)	DEVSTAT_COPY, SNSDATA0_L, SNSDATA0_H, SNSDATA1_L, SNSDATA1_H, SNSDATA0_TIME0, SNSDATA0_TIME1, SNSDATA0_TIME2, SNSDATA0_TIME3

### 7.4.7 I<sup>2</sup>C timing diagram

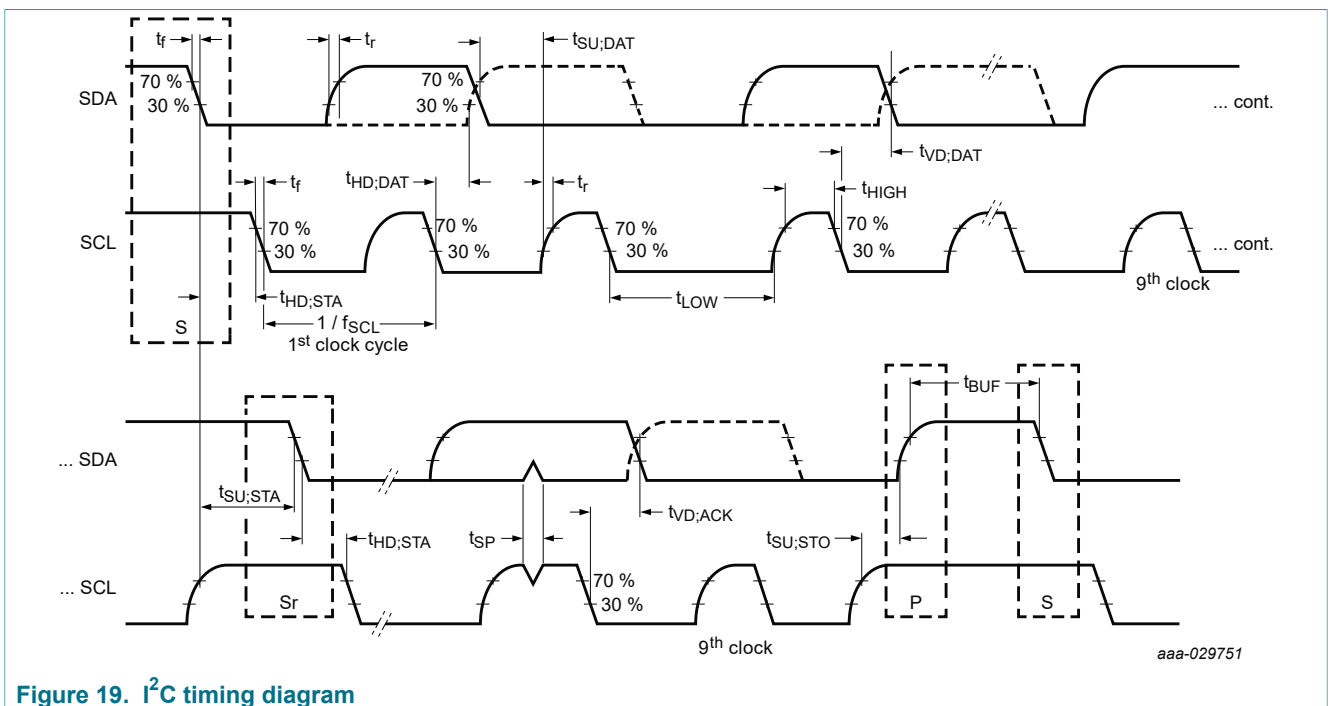


Figure 19. I<sup>2</sup>C timing diagram

### 7.5 Standard 32-bit SPI protocol

The device includes a standard SPI protocol requiring 32-bit data packets. The device is a slave device and requires that the base clock value be low (CPOL = 0) with data captured on the rising edge of the clock and data propagated on the falling edge of the clock (CPHA = 0). The most significant bit is transferred first (MSB first). SPI transfers are completed through a sequence of two phases. During the first phase, the command is transmitted from the SPI master to the device. During the second phase, response data is transmitted from the slave device. MOSI and SCLK transitions are ignored when SS<sub>B</sub> is not asserted.

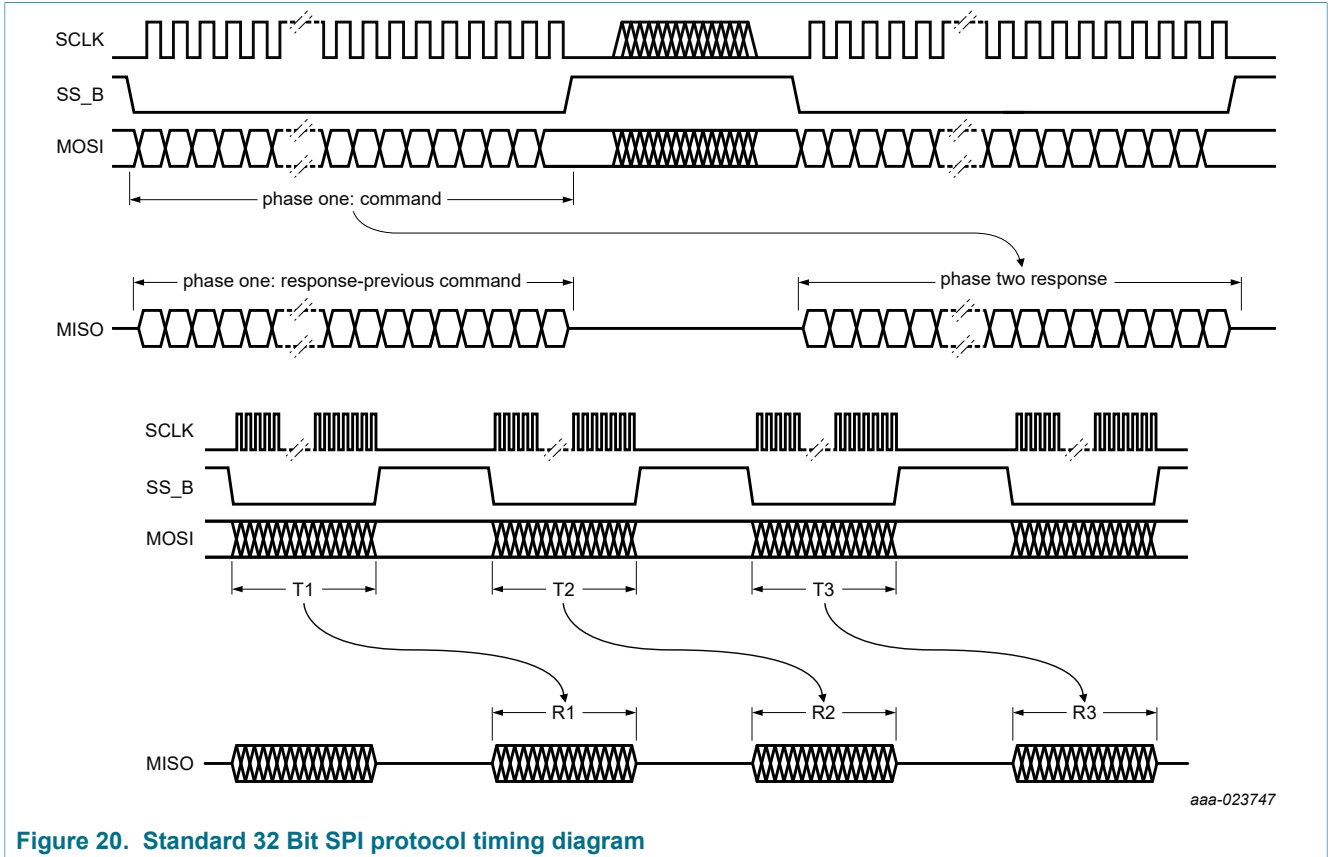


Figure 20. Standard 32 Bit SPI protocol timing diagram

7.5.1 SPI command format

Table 10. SPI command format

MSB: bit 31; LSB: bit 0

31	30	29	28	27	26	25	24	23	22	21	20	19	18	17	16	15	14	13	12	11	10	9	8	7	6	5	4	3	2	1	0								
<b>Register access command</b>																																							
<b>Command</b>				<b>Fixed bits: must = 0h</b>				<b>Register address</b>								<b>Register data</b>								<b>8-bit CRC</b>															
C[3:0]				0 0 0 0				RA[7:1]								RA[0]								RD[7:0]								CRC[7:0]							
<b>Sensor data command</b>																																							
<b>Command</b>				<b>Fixed bits: must = 0 0000h</b>																								<b>8-bit CRC</b>											
C[3:0]				0 0																								CRC[7:0]											

Table 11. SPI command bit allocation

C[3:0]				Command type	Data source SOURCEID[2:0] = C[3:1]	Reference
0	0	0	0	Unused Command (reserved for error response)	Not applicable	Not applicable
0	0	0	1	Sensor Data Request	SOURCEID = 0h	
0	0	1	0	reserved Command	Not applicable	Not applicable
0	0	1	1	Sensor Data Request	SOURCEID = 1h	
0	1	0	0	reserved Command	Not applicable	Not applicable
0	1	0	1	Sensor Data Request	SOURCEID = 2h	
0	1	1	0	reserved Command	Not applicable	Not applicable
0	1	1	1	Sensor Data Request	SOURCEID = 3h	
1	0	0	0	Register Write Request	Not applicable	
1	0	0	1	Sensor Data Request	SOURCEID = 4h	
1	0	1	0	reserved Command	Not applicable	Not applicable
1	0	1	1	Sensor Data Request	SOURCEID = 5h	
1	1	0	0	Register Read Request	Not applicable	
1	1	0	1	Sensor Data Request	SOURCEID = 6h	
1	1	1	0	Reserved Command	Not applicable	Not applicable
1	1	1	1	Sensor Data Request	SOURCEID = 7h	

### 7.5.2 SPI response format

Table 12. SPI response format

MSB: bit 31; LSB: bit 0

31	30	29	28	27	26	25	24	23	22	21	20	19	18	17	16	15	14	13	12	11	10	9	8	7	6	5	4	3	2	1	0		
<b>Response to Register Request</b>																																	
<b>Command</b>		<b>Basic Status</b>		<b>Unused Data 0h</b>		<b>Register data: contents of RA[7:1] high byte</b>										<b>Register data: contents of RA[7:1] low byte</b>										<b>8-bit CRC</b>							
C[0], [3:1]		ST[1:0]		0 0		RD[15:8]										RD[7:0]										CRC[7:0]							
<b>Response to Sensor Data Request</b>																																	
<b>Command</b>		<b>Basic Status</b>		<b>Sensor Data</b>										<b>Detail Status</b>		<b>8-bit CRC</b>																	
C[0], [3:1]		ST[1:0]		SD[11:0]										0 0 0 0		SF[1:0]																	
<b>Error Response to Register Request</b>																																	
<b>Command</b>		<b>Basic Status</b>		<b>Unused Data = 0000h</b>										<b>Detail Status</b>		<b>8-bit CRC</b>																	
C[0], [3:1]		1 1		0 0										SF[1:0]		CRC[7:0]																	
<b>Error Response to Sensor Data Request With Sensor Data</b>																																	
<b>Command</b>		<b>Basic Status</b>		<b>Sensor Data</b>										<b>Detail Status</b>		<b>8-bit CRC</b>																	
C[0]	C[3]	C[2]	C[1]	1 1		SD[11:0]										0 0 0 0		SF[1:0]															
<b>Error Response to Sensor Data Request Without Sensor Data</b>																																	
<b>Command</b>		<b>Basic Status</b>		<b>Unused Data = 0000h</b>										<b>Detail Status</b>		<b>8-bit CRC</b>																	
0 0 0 0		1 1		x 0										SF[1:0]		CRC[7:0]																	

7.5.3 Command summary

7.5.3.1 Register read command

The device supports a register read command. The register read command uses the upper 7 bits of the addresses defined in [Section 7.6 "User-accessible data array"](#) to address 8-bit registers in the register map.

The response to a register read command is shown in [Section 7.5.3.1.2 "Register read response message format"](#). The response is transmitted on the next SPI message if and only if all of the following conditions are met:

- No SPI error is detected (see [Section 7.5.5.3 "SPI error"](#) )
- No MISO error is detected (see [Section 7.5.5.4 "SPI data output verification error"](#))

If these conditions are met, the device responds to the register read request as shown in [Section 7.5.3.1.2 "Register read response message format"](#). Otherwise, the device responds with the error response as defined in [Section 7.5.5.2 "Detailed status field"](#). The register read response includes the register contents at the rising edge of SS\_B for the register read command.

7.5.3.1.1 Register read command message format

Table 13. Register read command message format

MSB: bit 31; LSB: bit 0

31	30	29	28	27	26	25	24	23	22	21	20	19	18	17	16	15	14	13	12	11	10	9	8	7	6	5	4	3	2	1	0											
Register access command																																										
Command C[3:0]				Fixed bits: must = 0h				Register address								Register data								8-bit CRC																		
1	1	0	0	0	0	0	0	RA[7:1]								RA[0]	0	0	0	0	0	0	0	0	0	0	0	0	0	0	0	0	0	0	CRC[7:0]							

Table 14. Register read command message bit field descriptions

Bit field	Definition
C[3:0]	Register read command = '1100'
RA[7:0]	RA[7:1] contains the word address of the register to be read.
CRC[7:0]	Read CRC Section

7.5.3.1.2 Register read response message format

Table 15. Register read response message format

MSB: bit 31; LSB: bit 0

31	30	29	28	27	26	25	24	23	22	21	20	19	18	17	16	15	14	13	12	11	10	9	8	7	6	5	4	3	2	1	0
Register access command																															
Command C[0], [3:1]				Basic Status		Unused Data 0h		Register data: contents of RA[7:1] high byte								Register data: contents of RA[7:1] low byte								8-bit CRC							
0	1	1	0	ST[1:0]		0	0	RD[15:8]								RD[7:0]								CRC[7:0]							

**Table 16. Register read response message bit field descriptions**

Bit field	Definition
C[0], [3:1]	Register Read Command = '0110'
ST[1:0]	Status
RD[15:8]	The contents of the register addressed by RA[7:1] high byte (RA[0] = 1)
RD[7:0]	The contents of the register addressed by RA[7:1] low byte (RA[0] = 0)
CRC[7:0]	8-bit CRC

**7.5.3.2 Register write command**

The device supports a register write command. The register write command writes the value specified in RD[7:0] to the register addressed by RA[7:0].

The response to a register write command is shown in [Section 7.5.3.2.2 "Register write response message format"](#). The register write is executed and a response is transmitted on the next SPI message if and only if all of the following conditions are met:

- No SPI error is detected (see [Section 7.5.5.3 "SPI error"](#))
- No MISO error is detected (see [Section 7.5.5.4 "SPI data output verification error"](#))
- The ENDINIT bit is cleared
  - This applies to all registers with the exception of the RESET[1:0] bits in the DEVLOCK\_WR register
- No invalid register request is detected as described below

If these conditions are met, the register write is executed and the device responds to the register write request as shown in [Section 7.5.3.2.2 "Register write response message format"](#). Otherwise, no register is written and the device responds with the error response as defined in [Section 7.5.2 "SPI response format"](#). The register is not written until the transfer during which the register write was requested has been completed.

A register write command to a read-only register will not execute, but will result in a valid response.

**7.5.3.2.1 Register write command message format**

**Table 17. Register write command message format**

MSB: bit 31; LSB: bit 0

31	30	29	28	27	26	25	24	23	22	21	20	19	18	17	16	15	14	13	12	11	10	9	8	7	6	5	4	3	2	1	0								
Register access command																																							
Command C[3:0]				Fixed bits: must = 0h				Register address								Register data								8-bit CRC															
1	0	0	0	0	0	0	0	RA[7:1]								RA[0]								RD[7:0]								CRC[7:0]							

**Table 18. Register write command message bit field descriptions**

Bit field	Definition
C[3:0]	Register write command = '1000'
RA[7:0]	RA[7:1] contains the byte address of the register to be written
RD[7:0]	RD[7:0] contains the data byte to be written to address RA[7:0]
CRC[7:0]	8-bit CRC

7.5.3.2.2 Register write response message format

Table 19. Register write response message format

MSB: bit 31; LSB: bit 0

31	30	29	28	27	26	25	24	23	22	21	20	19	18	17	16	15	14	13	12	11	10	9	8	7	6	5	4	3	2	1	0
Register access command																															
Command C[0], [3:1]				Basic Status		Unused Data 0h		Register data: contents of RA[7:1] high byte								Register data: contents of RA[7:1] low byte								8-bit CRC							
0	1	0	0	ST[1:0]		0	0	RD[15:8]								RD[7:0]								CRC[7:0]							

Table 20. Register write response message bit field descriptions

Bit field	Definition
C[0], [3:1]	Register Read Command = '0100'
ST[1:0]	Status
RD[15:8]	The contents of the register addressed by RA[7:1] high byte (RA[0] = 1)
RD[7:0]	The contents of the register addressed by RA[7:1] low byte (RA[0] = 0)
CRC[7:0]	8-bit CRC

7.5.3.3 Sensor data request commands

The device supports standard sensor data request commands. The sensor data request command format is described in [Section 7.5.3.3.1 "Sensor data request command message format"](#). The response to a sensor data request is shown in [Section 7.5.3.3.2 "Sensor data request response message format"](#). The response is transmitted on the next SPI message subject to the error handling conditions specified in [Section 7.5.5 "Exception handling"](#). The sensor data included in the response is the sensor data at the falling edge of SS\_B for the sensor data request response.

7.5.3.3.1 Sensor data request command message format

Table 21. Sensor data request command message format

MSB: bit 31; LSB: bit 0

31	30	29	28	27	26	25	24	23	22	21	20	19	18	17	16	15	14	13	12	11	10	9	8	7	6	5	4	3	2	1	0
Command				Fixed bits: must = 0 0000h																		8-bit CRC									
C[3:0]				0	0	0	0	0	0	0	0	0	0	0	0	0	0	0	0	0	0	0	0	0	0	CRC[7:0]					

Table 22. Sensor data request command message bit field descriptions

Bit field	Definition
C[0]	Sensor data request command = '1'
C[3:1] = SOURCEID[2:0]	Source identification code for the requested sensor data
CRC[7:0]	8-bit CRC

7.5.3.3.2 Sensor data request response message format

Table 23. Sensor data request response message format

MSB: bit 31; LSB: bit 0

31	30	29	28	27	26	25	24	23	22	21	20	19	18	17	16	15	14	13	12	11	10	9	8	7	6	5	4	3	2	1	0		
Command				Basic Status		Sensor Data																Detail Status		8-bit CRC									
C[0], [3:1]				ST[1:0]		SD[11:0]																0 0 0 0		SF[1:0]		CRC[7:0]							

Table 24. Sensor data request response message bit field descriptions

Bit field	Definition
C[0]	Sensor data request command = '1'
C[3:1] = SOURCEID[2:0]	Source identification code for the requested sensor data
ST[1:0]	Basic Status
SD[11:0]	Sensor data
SF[1:0]	Detailed status
CRC[7:0]	8-bit CRC

7.5.3.4 Reserved commands

The device responds to reserved commands on the next SPI message subject to the error handling conditions specified in [Section 7.5.5 "Exception handling"](#).

7.5.3.4.1 Reserved command message format

Table 25. Reserved command message format

MSB: bit 31; LSB: bit 0

31	30	29	28	27	26	25	24	23	22	21	20	19	18	17	16	15	14	13	12	11	10	9	8	7	6	5	4	3	2	1	0	
Command				x	x	x	x	x	x	x	x	x	x	x	x	x	x	x	x	x	x	x	x	x	8-bit CRC							
0	0	0	0	x	x	x	x	x	x	x	x	x	x	x	x	x	x	x	x	x	x	x	x	x	CRC[7:0]							
0	0	1	0	x	x	x	x	x	x	x	x	x	x	x	x	x	x	x	x	x	x	x	x	x	CRC[7:0]							
0	1	0	0	x	x	x	x	x	x	x	x	x	x	x	x	x	x	x	x	x	x	x	x	x	CRC[7:0]							
0	1	1	0	x	x	x	x	x	x	x	x	x	x	x	x	x	x	x	x	x	x	x	x	x	CRC[7:0]							
1	0	1	0	x	x	x	x	x	x	x	x	x	x	x	x	x	x	x	x	x	x	x	x	x	CRC[7:0]							
1	1	1	0	x	x	x	x	x	x	x	x	x	x	x	x	x	x	x	x	x	x	x	x	x	CRC[7:0]							

Table 26. Reserved command message bit field descriptions

Bit field	Definition
C[3:0]	Reserved command
CRC[7:0]	8-bit CRC

7.5.3.4.2 Reserved command response message format

Table 27. Reserved command response message format

MSB: bit 15; LSB: bit 0

31	30	29	28	27	26	25	24	23	22	21	20	19	18	17	16	15	14	13	12	11	10	9	8	7	6	5	4	3	2	1	0
Command Echo				Data																8-bit CRC											
x x x x				x x																CRC[7:0]											

**Table 28. Reserved command response message bit field descriptions**

Bit field	Definition
Command echo	Reserved command echo. Undefined
Data	Response data. Undefined
CRC[7:0]	8-bit CRC

## 7.5.4 Error checking

### 7.5.4.1 Default 8-bit CRC

#### 7.5.4.1.1 Command error checking

The device calculates an 8-bit CRC on the entire 32 bits of each command. Message data is entered into the CRC calculator MSB first, consistent with the transmission order of the message. If the calculated CRC does not match the transmitted CRC, the command is ignored and the device responds with the SPI error response.

The CRC decoding procedure is as follows:

1. A seed value is preset into the LSB of the shift register.
2. Using a serial CRC calculation method, the receiver rotates the received message and CRC into the LSB of the shift register in the order received (MSB first).
3. When the calculation on the last bit of the CRC is rotated into the shift register, the shift register contains the CRC check result.
4. If the shift register contains all zeros, the CRC is correct.
5. If the shift register contains a value other than zero, the CRC is incorrect.

The CRC polynomial and seed are shown in [Table 29](#).

**Table 29. SPI Command Message CRC**

SPICRCSEED[3:0]	Default Polynomial	Default non-direct Seed
0000	$x^8 + x^5 + x^3 + x^2 + x + 1$	1111 1111
non-zero	$x^8 + x^5 + x^3 + x^2 + x + 1$	1111 SPICRCSEED[3:0]

#### 7.5.4.1.2 Response error checking

The device calculates a CRC on the entire 32 bits of each response. Message data is entered into the CRC calculator MSB first, consistent with the transmission order of the message.

The CRC encoding procedure is as follows:

1. A seed value is preset into the LSB of the shift register.
2. Using a serial CRC calculation method, the transmitter rotates the transmitted message and CRC into the LSB of the shift register (MSB first).
3. Following the transmitted message, the transmitter feeds 8 zeros into the shift register, to match the length of the CRC.
4. When the last zero is fed into the input adder, the shift register contains the CRC.
5. The CRC is transmitted.

The CRC polynomial and seed are shown in [Table 30](#).



**Table 30. SPI Response Message CRC**

SPICRCSEED[3:0]	Default Polynomial	Default non-direct Seed
0000	$x^8 + x^5 + x^3 + x^2 + x + 1$	1111 1111
nonzero	$x^8 + x^5 + x^3 + x^2 + x + 1$	1111 SPICRCSEED[3:0]

## 7.5.5 Exception handling

### 7.5.5.1 Basic status field

All responses include a status field (ST[1:0]) that includes the general status of the device and transmitted data as described below. The contents of the status field is a representation of the device status at the rising edge of SS\_B for the previous SPI command.

**Table 31. Basic status field for responses to register commands**

ST[1:0]		Status	Description	SF[1:0]		Priority
0	0	Device in Initialization	Device in initialization (ENDINIT not set)	0	0	3
0	1	Normal Mode	Normal mode (ENDINIT set)	0	0	4
1	0	Self-test	Self-test (ST_CTRL[3:0] not equal to '0000')	0	0	2
1	1	Internal Error Present	Detailed Status Field	Detailed Status Field		1

### 7.5.5.2 Detailed status field

The response to sensor data requests includes a detailed status field (SF[1:0]). The contents of the detailed status field is a representation of the device status at the rising edge of SS\_B for the previous SPI command.

**Table 32. Detailed status bit field descriptions**

SF[1:0]		Status Sources	DEVSTAT State
0	0	Oscillator training error (OSCTRAIN_ERR) Offset error (PABS_HIGH or PABS_LOW or CM_ERROR) Temperature error	Bit set in DEVSTAT3 Bit set in DSP_STAT Bit set in DEVSTAT2
0	1	User OTP memory error (UF2 or UF1) User R/W memory error (UF2) NXP OTP Memory error	U_OTP_ERR set in DEVSTAT2 U_RW_ERR set in DEVSTAT2 F_OTP_ERR set in DEVSTAT2
1	0	Test Mode active Supply error Reset error	TESTMODE bit set in DEVSTAT bit set in DEVSTAT1 DEVRES set
1	1	MISO error SPI error	Bit set in DEVSTAT3 N/A

### 7.5.5.3 SPI error

The following external SPI conditions result in a SPI error:

- SCLK is high when SS\_B is asserted
- The number of SCLK rising edges detected while SS\_B is asserted is not equal to 16
- SCLK is high when SS\_B is deasserted
- CRC error is detected (MOSI)
- A register write command to any register other than the DEVLOCK\_WR register is received while ENDINIT is set

If a SPI error is detected, the device responds with the error response as described in [Section 7.5.5.2 "Detailed status field"](#) with the detailed status field set to "SPI Error" as defined in [Section 7.5.5.1 "Basic status field"](#).

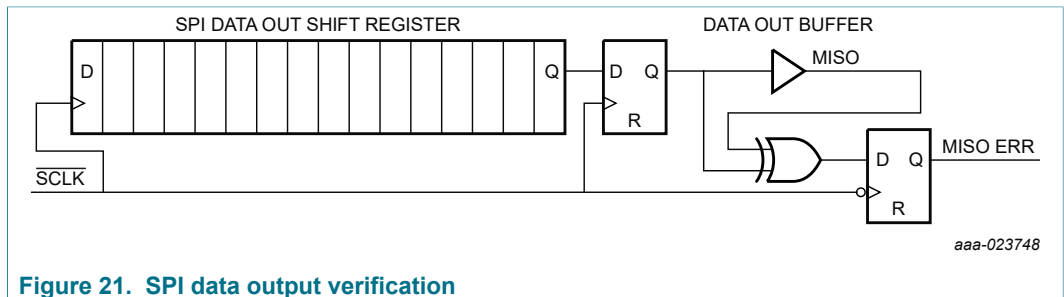
**7.5.5.4 SPI data output verification error**

The device includes a function to verify the integrity of the data output to the MISO pin. The function compares the data transmitted on the MISO pin to the data intended to be transmitted. If any one bit does not match, a SPI MISO mismatch fault is detected and the MISO\_ERR flag in the DEVSTAT2 register is set.

If a valid sensor data request message is received during the SPI transfer with the MISO mismatch failure, the request is ignored and the device responds with the error response as described in [Section 7.5.5.2 "Detailed status field"](#) with the detailed status field set to "SPI Error" as defined in [Section 7.5.5.1 "Basic status field"](#) during the subsequent SPI message.

If a valid register write request message is received during the SPI transfer with the MISO mismatch failure, the register write is completed as requested, but the device responds with the error response as described in [Section 7.5.5.2 "Detailed status field"](#) with the detailed status field set to "SPI Error" as defined in [Section 7.5.5.1 "Basic status field"](#) during the subsequent SPI message.

If a valid register read request message is received during the SPI transfer with the MISO mismatch failure, the register read is ignored and the device responds with the error response as described in [Section 7.5.5.2 "Detailed status field"](#) with the detailed status field set to "SPI Error" as defined in [Section 7.5.5.1 "Basic status field"](#), during the subsequent SPI message.



**Figure 21. SPI data output verification**

7.5.6 SPI timing diagram

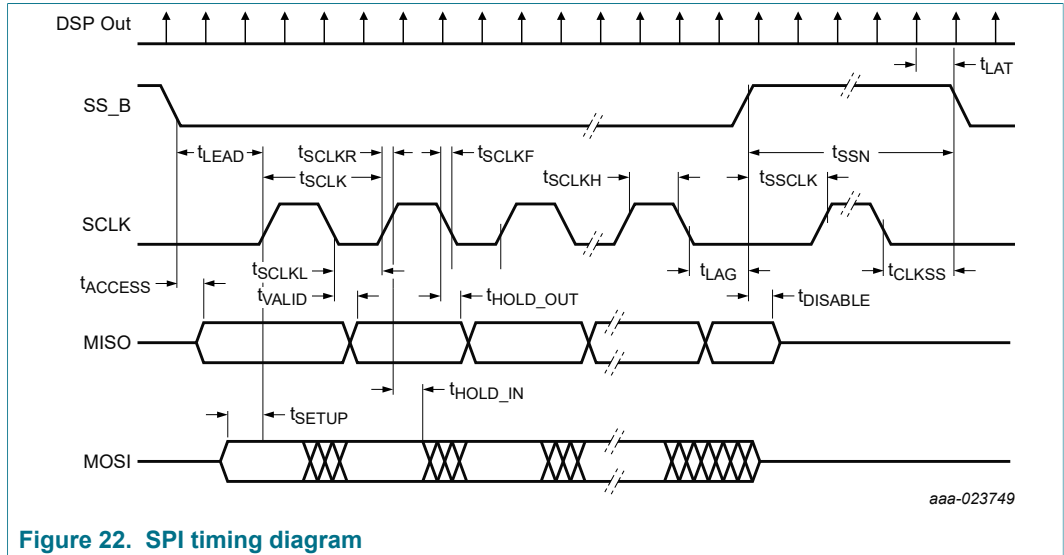


Figure 22. SPI timing diagram

7.6 User-accessible data array

A user-accessible data array allows each device to be customized. The array consists of a one time programmable (OTP) factory-programmable block, an OTP user-programmable block, and read-only registers for data and device status. The OTP blocks incorporate independent data verification.

Table 33. User-accessible data — sensor specific information

Address	Register	Type <sup>[1]</sup>	Bit								
			7	6	5	4	3	2	1	0	
General device information											
00h	COUNT	R	COUNT[7:0]								
01h	DEVSTAT	R	DSP_ERR	reserved	COMM_ERR	MEMTEMP_ERR	SUPPLY_ERR	TESTMODE	DEVRES	DEVINIT	
02h	DEVSTAT1	R	VCCUV_ERR	reserved	VCCOV_ERR	reserved	INTREGA_ERR	INTREG_ERR	INTREGF_ERR	CONT_ERR	
03h	DEVSTAT2	R	F_OTP_ERR	U_OTP_ERR	U_RW_ERR	U_W_ACTIVE	reserved	TEMP0_ERR	reserved	reserved	
04h	DEVSTAT3	R	MISO_ERR	OSCTRAIN_ERR	reserved	reserved	reserved	reserved	reserved	reserved	
05h	reserved	R	reserved								
06h to 0Dh	reserved	R	reserved								
0Eh	TEMPERATURE	R	TEMP[7:0]								
0Fh	reserved	R	reserved								

Address	Register	Type <sup>[1]</sup>	Bit								
			7	6	5	4	3	2	1	0	
<b>Communication information</b>											
10h	DEVLOCK_WR	R/W	ENDINIT	reserved	reserved	reserved	SUP_ERR_DIS	reserved	RESET[1:0]		
11h to 13h	reserved	R/W	reserved								
14h	UF_REGION_W	R/W	REGION_LOAD[3:0]				0	0	0	0	
15h	UF_REGION_R	R	REGION_ACTIVE[3:0]				0	0	0	0	
16h	COMMTYPE	UF2	reserved	reserved	reserved	reserved	reserved	COMMTYPE[2:0]			
17h to 19h	reserved	UF2	reserved								
1Ah	SOURCEID_0	UF2	SID0_EN	reserved			SOURCEID_0[3:0]				
1Bh	SOURCEID_1	UF2	SID1_EN	reserved			SOURCEID_1[3:0]				
1Ch to 21h	reserved	UF2	reserved								
22h	TIMING_CFG	UF2	reserved			OSCTRAIN_SEL	CK_CAL_RST	reserved	reserved	CK_CAL_EN	
23h to 3Ch	reserved	UF2	reserved								
3Dh	SPI_CFG	UF2	reserved	DATASIZE	SPI_CRC_LEN[1:0]		SPICRCSEED[3:0]				
3Eh	WHO_AM_I	UF2	WHO_AM_I[7:0]								
3Fh	I2C_ADDRESS	UF2	I2C_ADDRESS[7:0]								
<b>Sensor specific information</b>											
40h	DSP_CFG_U1	UF2	LPF[3:0]				reserved	reserved	USER_RANGE[1:0]		
41h	DSP_CFG_U2	UF2	reserved								
42h	DSP_CFG_U3	UF2	reserved	DATATYPE0[1:0]		reserved	reserved	reserved	reserved	reserved	
43h	DSP_CFG_U4	UF2	reserved	reserved	reserved	reserved	reserved	INT_OUT	reserved	reserved	
44h	DSP_CFG_U5	UF2	ST_CTRL[3:0]				reserved	reserved	reserved	reserved	
45h	INT_CFG	UF2	reserved		INT_PS[1:0]		INT_POLARITY	reserved			
46h	P_INT_HI_L	UF2	P_INT_HI_L[7:0]								
47h	P_INT_HI_H	UF2	P_INT_HI_H[15:8]								
48h	P_INT_LO_L	UF2	P_INT_LO_L[7:0]								
49h	P_INT_LO_H	UF2	P_INT_LO_H[15:8]								
4Ah	reserved	UF2	reserved								
4Bh	reserved	UF2	reserved								
4Ch	P_CAL_ZERO_L	UF2	P_CAL_ZERO_L[7:0]								
4Dh	P_CAL_ZERO_H	UF2	P_CAL_ZERO_H[15:8]								
4Eh	reserved	UF2	reserved								
4Fh to 5Eh	reserved	UF2	reserved								
5Fh	CRC_UF2	F	LOCK_UF2	0	0	0	CRC_UF2[3:0]				
60h	DSP_STAT	R	reserved	PABS_HIGH	PABS_LOW	reserved	ST_INCMPLET	ST_ACTIVE	CM_ERROR	ST_ERROR	
61h	DEVSTAT_COPY	R	DSP_ERR	reserved	COMM_ERR	MEMTEMP_ERR	SUPPLY_ERR	TESTMODE	DEVRES	DEVINT	
62h	SNSDATA0_L	R	SNSDATA0_L[7:0]								
63h	SNSDATA0_H	R	SNSDATA0_H[15:8]								
64h	SNSDATA1_L	R	SNSDATA1_L[7:0]								
65h	SNSDATA1_H	R	SNSDATA1_H[15:8]								

Address	Register	Type <sup>[1]</sup>	Bit							
			7	6	5	4	3	2	1	0
66h	SNSDATA0_TIME0	R	SNSDATA0_TIME[7:0]							
67h	SNSDATA0_TIME1	R	SNSDATA0_TIME[15:8]							
68h	SNSDATA0_TIME2	R	SNSDATA0_TIME[23:16]							
69h	SNSDATA0_TIME3	R	SNSDATA0_TIME[31:24]							
6Ah	SNSDATA0_TIME4	R	SNSDATA0_TIME[39:32]							
6Bh	SNSDATA0_TIME5	R	SNSDATA0_TIME[47:40]							
6Ch	P_MAX_L	R	P_MAX[7:0]							
6Dh	P_MAX_H	R	P_MAX[15:8]							
6Eh	P_MIN_L	R	P_MIN[7:0]							
6Fh	P_MIN_H	R	P_MIN[15:8]							
70h to 77h	reserved	R	reserved							
78h	FRT0	R	FRT[7:0]							
79h	FRT1	R	FRT[15:8]							
7Ah	FRT2	R	FRT[23:16]							
7Bh	FRT3	R	FRT[31:24]							
7Ch	FRT4	R	FRT[39:32]							
7Dh	FRT5	R	FRT[47:40]							
7Eh to 9Fh	reserved	R	reserved							
<b>Sensor specific information - user readable registers with OTP</b>										
A0h	DSP_CFG_F	F	reserved							
A1h to AEh	reserved	F	reserved							
AFh	CRC_F_A	F	LOCK_F_A	REGA_BLOCKID[2:0]				CRC_F_A[3:0]		
B0h to BEh	reserved	F	reserved							
BFh	CRC_F_B	F	LOCK_F_B	REGB_BLOCKID[2:0]				CRC_F_B[3:0]		
<b>Traceability Information</b>										
C0h	ICTYPEID	F	ICTYPEID[7:0]							
C1h	ICREVID	F	ICREVID[7:0]							
C2h	ICMFGID	F	ICMFGID[7:0]							
C3h	reserved	F	reserved							
C4h	PN0	F	PN0[7:0]							
C5h	PN1	F	PN1[7:0]							
C6h	SN0	F	SN[7:0]							
C7h	SN1	F	SN[15:8]							
C8h	SN2	F	SN[23:16]							
C9h	SN3	F	SN[31:24]							
CAh	SN4	F	SN[39:32]							
CBh	ASICWFR#	F	ASICWFR#[7:0]							
CCh	ASICWFR_X	F	ASICWFR_X[7:0]							
CDh	ASICWFR_Y	F	ASICWFR_Y[7:0]							

Address	Register	Type <sup>[1]</sup>	Bit							
			7	6	5	4	3	2	1	0
CEh	reserved	F	reserved							
CFh	CRC_F_C	F	LOCK_F_C	REGC_BLOCKID[2:0]			CRC_F_C[3:0]			
D0h	ASICWLOT_L	F	ASICWLOT_L[7:0]							
D1h	ASICWLOT_H	F	ASICWLOT_H[7:0]							
D2h	reserved	—	reserved							
D3h	reserved	—	reserved							
D4h	reserved	—	reserved							
D5h	reserved	—	reserved							
D6h to DEh	reserved	F	reserved							
DFh	CRC_F_D	F	LOCK_F_D	REGD_BLOCKID[2:0]			CRC_F_D[3:0]			
E0h	USERDATA_0	UF2	USERDATA_0[7:0]							
E1h	USERDATA_1	UF2	USERDATA_1[7:0]							
E2h	USERDATA_2	UF2	USERDATA_2[7:0]							
E3h	USERDATA_3	UF2	USERDATA_3[7:0]							
E4h	USERDATA_4	UF2	USERDATA_4[7:0]							
E5h	USERDATA_5	UF2	USERDATA_5[7:0]							
E6h	USERDATA_6	UF2	USERDATA_6[7:0]							
E7h	USERDATA_7	UF2	USERDATA_7[7:0]							
E8h	USERDATA_8	UF2	USERDATA_8[7:0]							
E9h	USERDATA_9	UF2	USERDATA_9[7:0]							
EAh	USERDATA_A	UF2	USERDATA_A[7:0]							
EBh	USERDATA_B	UF2	USERDATA_B[7:0]							
ECh	USERDATA_C	UF2	USERDATA_C[7:0]							
EDh	USERDATA_D	UF2	USERDATA_D[7:0]							
EEh	USERDATA_E	UF2	USERDATA_E[7:0]							
EFh	CRC_UF0	F	LOCK_UF0	REGE_BLOCKID[2:0]			CRC_UF0[3:0]			
F0h	USERDATA_10	UF1	USERDATA_10[7:0]							
F1h	USERDATA_11	UF1	USERDATA_11[7:0]							
F2h	USERDATA_12	UF1	USERDATA_12[7:0]							
F3h	USERDATA_13	UF1	USERDATA_13[7:0]							
F4h	USERDATA_14	UF1	USERDATA_14[7:0]							
F5h	USERDATA_15	UF1	USERDATA_15[7:0]							
F6h	USERDATA_16	UF1	USERDATA_16[7:0]							
F7h	USERDATA_17	UF1	USERDATA_17[7:0]							
F8h	USERDATA_18	UF1	USERDATA_18[7:0]							
F9h	USERDATA_19	UF1	USERDATA_19[7:0]							
FAh	USERDATA_1A	UF1	USERDATA_1A[7:0]							
FBh	USERDATA_1B	UF1	USERDATA_1B[7:0]							
FCh	USERDATA_1C	UF1	USERDATA_1C[7:0]							
FDh	USERDATA_1D	UF1	USERDATA_1D[7:0]							
FEh	USERDATA_1E	UF1	USERDATA_1E[7:0]							
FFh	CRC_UF1	F	LOCK_UF1	REGF_BLOCKID[2:0]			CRC_UF1[3:0]			

[1] Memory type codes  
R — Readable register with no OTP

F — User readable register with OTP  
 UF2 — One time user programmable OTP location region 2

## 7.7 Register information

### 7.7.1 COUNT - rolling counter register (address 00h)

The count register is a read-only register that provides the current value of a free-running 8-bit counter derived from the primary oscillator. A 10-bit prescaler divides the primary oscillator frequency by 1000. Thus, the value in the register increases by one count every 100  $\mu$ s and the counter rolls over every 25.6 ms.

Table 34. COUNT - rolling counter register (address 00h) bit allocation

Bit	7	6	5	4	3	2	1	0
Symbol	COUNT[7:0]							
Reset	0	0	0	0	0	0	0	0
Access	R	R	R	R	R	R	R	R

### 7.7.2 Device status registers

The device status registers are read-only registers that contain device status information. These registers are readable in SPI or I<sup>2</sup>C mode.

#### 7.7.2.1 DEVSTAT - device status register (address 01h)

Table 35. DEVSTAT - device status register (address 01h) bit allocation

Bit	7	6	5	4	3	2	1	0
Symbol	DSP_ERR	reserved	COMM_ERR	MEMTEMP_ERR	SUPPLY_ERR	TEST MODE	DEVRES	DEVINIT
Reset	1	reserved	0	0	x	0	1	1
Access	R	R	R	R	R	R	R	R

Table 36. DEVSTAT - device status register (address 01h) bit description

Bit	Symbol	Description
7	DSP_ERR	The DSP error flag is set if a DSP-specific error is present in the pressure signal DSP: <i>DSP_ERR = DSP_STAT[PABS_HIGH]   DSP_STAT[PABS_LOW]   DSP_STAT[ST_INCMLPT]   DSP_STAT[CM_ERROR]   DSP_STAT[ST_ERROR]</i>
5	COMM_ERR	The communication error flag is set if any bit in DEVSTAT3 is set: <i>COMM_ERR = MISO_ERR   OSCTRAIN_ERR</i>
4	MEMTEMP_ERR	The memory error flag is set if any bit in DEVSTAT2 is set: <i>MEMTEMP_ERR = F_OTP_ERR   U_OTP_ERR   U_RW_ERR   U_W_ACTIVE   TEMPO_ERR</i>
3	SUPPLY_ERR	The supply error flag is set if any bit in DEVSTAT1 is set: <i>SUPPLY_ERR = VCCUV_ERR   VCCOV_ER   INTREG_ERR   INTREGA_ERR   INTREGF_ERR   CONT_ERR</i>

Bit	Symbol	Description
2	TESTMODE	The test mode bit is set if the device is in test mode. The TESTMODE bit can be cleared by a test mode operation or by a power cycle. <b>0</b> — Test mode is not active <b>1</b> — Test mode is active
1	DEVRES	The device reset bit is set following a device reset. This error is cleared by a read of the DEVSTAT register through any communication interface or on a data transmission that includes the error in the status field. <b>0</b> — Normal operation <b>1</b> — Device reset occurred
0	DEVINIT	The device initialization bit is set following a device reset. The bit is cleared once sensor data is valid for read through one of the device communication interfaces ( $t_{POR\_DataValid}$ ). <b>0</b> — Normal operation <b>1</b> — Device initialization in process

### 7.7.2.2 DEVSTAT1 - device status register (address 02h)

Table 37. DEVSTAT1 - device status register (address 02h) bit allocation

Bit	7	6	5	4	3	2	1	0
Symbol	VCCUV_ERR	reserved	VCCOV_ERR	reserved	INTREGA_ERR	INTREG_ERR	INTREGF_ERR	CONT_ERR
Reset	x	x	x	x	x	x	x	0
Access	R	R	R	R	R	R	R	R

Table 38. DEVSTAT1 - device status register (address 02h) bit description

Bit	Symbol	Description
7	VCCUV_ERR	The $V_{CC}$ undervoltage error bit is set if the $V_{CC}$ voltage falls below the voltage specified in <a href="#">Table 104</a> . See <a href="#">Section 7.1</a> for details on the $V_{CC}$ undervoltage monitor. This bit is cleared once sensor data is valid for read through one of the device communication interfaces ( $t_{POR\_DataValid}$ ). <b>0</b> — No error detected <b>1</b> — $V_{CC}$ voltage low
5	VCCOV_ERR	The $V_{CC}$ overvoltage error bit is set if the $V_{CC}$ voltage rises above the voltage specified in <a href="#">Table 104</a> . See <a href="#">Section 7.1</a> for details on the $V_{CC}$ overvoltage monitor. A common timer is used for all error bits in the DEVSTAT1 register. If any supply error is present, the timer is reset to $t_{UVOV\_RCV}$ . This bit is cleared once sensor data is valid for read through one of the device communication interfaces ( $t_{POR\_DataValid}$ ). <b>0</b> — No error detected <b>1</b> — $V_{CC}$ voltage high
3	INTREGA_ERR	The internal analog regulator voltage out-of-range error bit is set if the internal analog regulator voltage falls outside of expected limits. This bit is cleared once sensor data is valid for read through one of the device communication interfaces ( $t_{POR\_DataValid}$ ). <b>0</b> — No error detected <b>1</b> — Internal analog regulator voltage out of range



Bit	Symbol	Description
2	INTREG_ERR	The internal digital regulator voltage out-of-range error bit is set if the internal digital regulator voltage falls outside of expected limits. This bit is cleared once sensor data is valid for read through one of the device communication interfaces (t <sub>POR_DataValid</sub> ). <b>0</b> — No error detected <b>1</b> — Internal digital regulator voltage out of range
1	INTREGF_ERR	The internal OTP regulator voltage out-of-range error bit is set if the internal OTP regulator voltage falls outside of expected limits. This bit is cleared once sensor data is valid for read through one of the device communication interfaces (t <sub>POR_DataValid</sub> ). <b>0</b> — No error detected <b>1</b> — Internal OTP regulator voltage out of range
0	CONT_ERR	The continuity monitor passes a low current through a connection around the perimeter of the device and monitors the continuity of the connection. The error bit is set if a discontinuity is detected in the connection. A common timer is used for all error bits in the DEVSTAT1 register. If any supply error is present, the timer is reset to t <sub>UVOV_RCV</sub> . This bit is cleared based on the state of the SUP_ERR_DIS bit in the DEVLOCK_WR register as shown in <a href="#">Section 7.7.4</a> . <b>0</b> — No error detected <b>1</b> — Error detected in the continuity of the edge seal monitor circuit

7.7.2.3 DEVSTAT2 - device status register (address 03h)

Table 39. DEVSTAT2 - device status register (address 03h) bit allocation

Bit	7	6	5	4	3	2	1	0
Symbol	F_OTP_ERR	U_OTP_ERR	U_RW_ERR	U_W_ACTIVE	reserved	TEMP0_ERR	reserved	reserved
Reset	0	0	0	0	reserved	0	reserved	reserved
Access	R	R	R	R	R	R	R	R

Table 40. DEVSTAT2 - device status register (address 03h) bit description

Bit	Symbol	Description
7	F_OTP_ERR	The NXP factory OTP array error bit is set if a fault is detected in the factory OTP array. This error is cleared by a read of the DEVSTAT2 register through any communication interface or on a data transmission that includes the error in the status field. <b>0</b> — No error detected <b>1</b> — Error detected in the NXP factory OTP array
6	U_OTP_ERR	The user OTP array error bit is set if a fault is detected in the user OTP array. This error is cleared by a read of the DEVSTAT2 register through any communication interface or on a data transmission that includes the error in the status field. <b>0</b> — No error detected <b>1</b> — Error detected in the user OTP array
5	U_RW_ERR	When ENDINIT is set, an error detection is enabled for all user writable registers. The error detection code is continuously calculated on the user writable registers and verified against a previously calculated error detection code. If a mismatch is detected in the error detection, the U_RW_ERR bit is set. This error is cleared by a read of the DEVSTAT2 register through any communication interface or on a data transmission that includes the error in the status field. <b>0</b> — No error detected <b>1</b> — Error detected in the user read/write array

Bit	Symbol	Description
4	U_W_ACTIVE	The user OTP write in process status bit is set if a user initiated write to OTP is currently in process. The U_W_ACTIVE bit is automatically cleared once the write to OTP is complete. <b>0</b> — No OTP write in process <b>1</b> — OTP write in process
2	TEMP0_ERR	The temperature error bit is set if an overtemperature or undertemperature condition exists. This error is cleared by a read of the DEVSTAT2 register through any communication interface or on a data transmission that includes the error in the status field. <b>0</b> — No error detected <b>1</b> — Overtemperature or undertemperature error condition detected

### 7.7.2.4 DEVSTAT3 - device status register (address 04h)

Table 41. DEVSTAT3 - device status register (address 04h) bit allocation

Bit	7	6	5	4	3	2	1	0
Symbol	MISO_ERR	OSCTRAIN_ERR	reserved	reserved	reserved	reserved	reserved	reserved
Reset	0	0	reserved	reserved	reserved	reserved	reserved	reserved
Access	R	R	R	R	R	R	R	R

Table 42. DEVSTAT3 - device status register (address 04h) bit description

Bit	Symbol	Description
7	MISO_ERR	In SPI mode, the MISO data mismatch flag is set when a MISO Data mismatch fault occurs. The MISO_ERROR bit is cleared by a read of the DEVSTAT3 register through any communication interface, or by a status transmission including the error status through the SPI. <b>0</b> — No error detected <b>1</b> — MISO data mismatch
6	OSCTRAIN_ERR	The oscillator training error bit is set if an error detected in either the oscillator training settings, or the master communication timing. Once the error condition is corrected, the OSCTRAIN_ERR bit is cleared after a read of the OSCTRAIN_ERR bit through any communication interface, or by a status transmission including the error status through any communication interface. <b>0</b> — No error detected <b>1</b> — Oscillator training error

### 7.7.3 TEMPERATURE - temperature register (address 0Eh)

The temperature register is a read-only register that provides a temperature value for the IC. The temperature value is specified in the temperature sensor signal chain section of [Table 104](#).

**Note:** The device is only guaranteed to operate within the temperature limits specified in [Section 10 "Static characteristics"](#).

Table 43. TEMPERATURE - temperature register (address 0Eh) bit allocation

Bit	7	6	5	4	3	2	1	0
Symbol	TEMP[7:0]							
Reset	0	0	0	0	0	0	0	0
Access	R	R	R	R	R	R	R	R

### 7.7.4 DEVLOCK\_WR - lock register writes register (address 10h)

The lock register writes register is a read/write register that contains the ENDINIT bit and reset control bits.

Table 44. DEVLOCK\_WR - lock register writes register (address 10h) bit allocation

Bit	7	6	5	4	3	2	1	0
Symbol	ENDINIT	reserved	reserved	reserved	SUP_ERR_DIS	reserved	RESET[1:0]	
Factory default	0	0	0	0	0	0	0	0
Access	R/W	R/W	R/W	R/W	R/W	R/W	R/W	R/W

Table 45. DEVLOCK\_WR - lock register writes register (address 10h) bit description

Bit	Symbol	Description
7	ENDINIT	<p>The ENDINIT bit is a control bit used to indicate that the user has completed all device and system level initialization tests. Once the ENDINIT bit is set, writes to all writable register bits are inhibited except for the DEVLOCK_WR register. Once set, the ENDINIT bit can only be cleared by a device reset.</p> <p>When ENDINIT is set, the following occurs:</p> <ul style="list-style-type: none"> <li>• An error detection is enabled for all user writable registers. The error detection code is continuously calculated on the user writable registers and verified against a previously calculated error detection code.</li> <li>• Self-test is disabled and inhibited.</li> <li>• Register writes are inhibited with the exception of the RESET[1:0] bits in the DEVLOCK_WR register.</li> </ul>
3	SUP_ERR_DIS	The supply error disable bit allows the user to disable reporting of the supply errors in the SPI status fields.
1 to 0	RESET[1:0]	To reset the device, three consecutive register write operations must be performed in the order shown in <a href="#">Table 46</a> , or the device will not reset.

Table 46. Device reset command sequence

Register write to DEVLOCK_WR	RESET[0]	RESET[1]	Effect
Register write 1	0	0	No effect
Register write 2	1	1	No effect
Register write 3	0	1	Device RESET

The response to a register write returns the new register value, including the values written to the RESET[1:0] bits. After the third register write command, the device initiates a reset and thus does not transmit a response to this command or an acknowledge in I<sup>2</sup>C mode. The response to a register read returns '00' for RESET[1:0] and terminates

the reset sequence. The reset control bits are not included in the read/write array error detection.

**7.7.5 UF\_REGION\_W, UF\_REGION\_R - UF region selection registers (address 14h, 15h)**

The UF region load register is a user read/write register that contains the control bits for the UF0 and UF1 regions to be accessed. This register is included in the user read/write array error detection. The UF region active register is a read-only register that contains the status bits for the UF0 and UF1 regions to be accessed. This register is included in the user read/write array error detection.

The UF\_REGION\_W register is readable and writable in SPI mode or I<sup>2</sup>C mode. The UF\_REGION\_R register is readable in SPI mode or I<sup>2</sup>C mode.

**Table 47. UF\_REGION\_W - UF region selection register (address 14h) bit allocation**

Bit	7	6	5	4	3	2	1	0
Symbol	REGION_LOAD[3:0]				0	0	0	0
Factory default	1	1	1	0	0	0	0	0
Access	R/W	R/W	R/W	R/W	R/W	R/W	R/W	R/W

**Table 48. UF\_REGION\_R - UF region selection register (address 15h) bit allocation**

Bit	7	6	5	4	3	2	1	0
Symbol	REGION_ACTIVE[3:0]				0	0	0	0
Factory default	1	1	1	0	0	0	0	0
Access	R	R	R	R	R	R	R	R

The user OTP regions UF0, UF1, and F share a block of 16 registers. Prior to reading the registers via any communication interface, the user must ensure that the desired OTP registers are loaded into the readable registers. Below is the necessary procedure to ensure proper reading of the UF0, UF1, and F registers.

1. Write the desired address range to be read to the REGION\_LOAD[3:0] bits in the UF\_REGION\_W register using one of the communication interfaces available via the COMMTYPE register.

**Table 49. REGION\_LOAD Bit Definitions**

REGION_LOAD[3:0]				OTP register addresses loaded into the readable registers
0	0	0	0	not applicable
0	0	0	1	not applicable
0010 through 1001				reserved
1	0	1	0	Address Range A0h through AFh
1	0	1	1	Address Range B0h through BFh
1	1	0	0	Address Range C0h through CFh
1	1	0	1	Address Range D0h through DFh
1	1	1	0	Address Range E0h through EFh
1	1	1	1	Address Range F0h through FFh

2. Add a delay of minimum 50 μs.

- Optional: Execute a register read of the UF\_REGION\_R register and confirm the REGION\_ACTIVE[3:0] bits match the values written to the REGION\_LOAD[3:0] bits in the UF\_REGION\_W register.

**Table 50. REGION\_ACTIVE Bit Definitions**

REGION_ACTIVE[3:0]				OTP register addresses loaded into the readable registers
0	0	0	0	Load of OTP registers is in process
0	0	0	1	The contents of the shared registers has been over-written by the user
0010 through 1001				not applicable
1	0	1	0	Address Range A0h through AFh
1	0	1	1	Address Range B0h through BFh
1	1	0	0	Address Range C0h through CFh
1	1	0	1	Address Range D0h through DFh
1	1	1	0	Address Range E0h through EFh
1	1	1	1	Address Range F0h through FFh

- Execute a Register Read of the desired registers from the UF0, UF1 or F register section. Complete all desired Register Reads of the selected UF Region.
- Repeat steps 1 through 4 for the next desired UF region to read.

**Notes:**

- The user must take care to ensure that the desired registers are addressed. For example, if the REGION\_LOAD bits are set to Ah and the user executes a read of address C2h, the contents of registers A2h will be transmitted. No error detection is included other than a read of the REGION\_ACTIVE bits.
- For COMMTYPE options with multiple protocol options (COMMTYPE = '000' or '001'), no error detection is included other than a read of the REGION\_ACTIVE bits. The user must take care to ensure that the REGION\_LOAD bits are not inadvertently changed by an alternative protocol while executing register reads.
- In SPI and I<sup>2</sup>C modes, once the ENDINIT bit is set, writes to registers other than the RESET[1:0] bits are inhibited. For this reason, reads of the UF0, UF1, and F registers will only be possible for the region selected by the REGION\_ACTIVE bits at the time ENDINIT is set.

**7.7.6 COMMTYPE - communication type register (address 16h)**

When writing to this register, care must be taken to prevent from inadvertently disabling the desired communication mode. Communication mode register value changes, that disable a protocol, including writes to OTP, will not take effect until a device reset occurs to prevent disabling a necessary communication method.

**Table 51. COMMTYPE - communication type register (address 16h) bit allocation**

Bit	7	6	5	4	3	2	1	0
Symbol	reserved	reserved	reserved	reserved	reserved	COMMTYPE[2:0]		
Access	R/W	R/W	R/W	R/W	R/W	R/W	R/W	R/W
Reset	0	0	0	0	0	0	0	0

**Table 52. COMMTYPE - communication type register (address 16h) bit description**

Bit	Symbol	Description
[2:0]	COMMTYPE[2:0]	Communication protocol selection
		000 32-bit SPI (no startup internal self-test)
		001 32-bit SPI (with startup internal self-test)
		010 32-bit SPI (no startup internal self-test)
		011 reserved
		100 32-bit SPI (no startup internal self-test)
		101 reserved
		110 I <sup>2</sup> C (pin 3 acts as an Interrupt)
		111 I <sup>2</sup> C (pin 3 acts as an interrupt)

**7.7.7 SOURCEID\_x - source identification registers (address 1Ah, 1Bh)**

The source identification registers are user programmed read/write registers that contain the source identification information used in SPI Mode. These registers are included in the read/write array error detection. These registers are readable and writable in SPI mode or I<sup>2</sup>C mode.

**Table 53. SOURCEID\_0 - source identification register (address 1Ah) bit allocation**

Bit	7	6	5	4	3	2	1	0
Symbol	SID0_EN	reserved	reserved	reserved	SOURCEID_0[3:0]			
Factory default	0	0	0	0	0	0	0	0
Access	R/W	R/W	R/W	R/W	R/W	R/W	R/W	R/W

**Table 54. SOURCEID\_1 - source identification register (address 1Bh) bit allocation**

Bit	7	6	5	4	3	2	1	0
Symbol	SID1_EN	reserved	reserved	reserved	SOURCEID_1[3:0]			
Factory default	0	0	0	0	0	0	0	0
Access	R/W	R/W	R/W	R/W	R/W	R/W	R/W	R/W

**7.7.7.1 Data source enable bits (SIDx\_EN)**

The SIDx\_EN bits enable the data source for the associated source identification as described in [Table 11](#).

**Table 55. Source ID enable**

Source ID	Source ID Enable (SIDx_EN)	Transmitted data
SOURCEID_0	0	SPI error response
	1	SNSDATA0
SOURCEID_1	0	SPI error response
	1	SNSDATA1

In I<sup>2</sup>C mode, the SOURCEID\_x registers are readable and writable. See [Table 11](#), for details regarding the effect of the SIDx\_EN bits

**7.7.8 TIMING\_CFG - communication timing register (address 22h)**

The communication timing configuration register is a user programmed read/write register that contains user-specific configuration information for protocol timing. This register is included in the read/write array error detection. This register is readable and writable in SPI mode or I<sup>2</sup>C mode.

**Table 56. TIMING\_CFG - communication timing register (address 22h) bit allocation**

Bit	7	6	5	4	3	2	1	0
Symbol	reserved			OSCTRAIN_SEL	CK_CAL_RST	reserved	reserved	CK_CAL_EN
Factory default	0	0	0	0	0	0	0	0
Access	R/W	R/W	R/W	R/W	R/W	R/W	R/W	R/W

**7.7.9 SPI Configuration Control Register (SPI\_CFG, Address 3Dh)**

In SPI mode, the SPI configuration control register is a user programmed read/write register that contains the SPI protocol configuration information. This register is included in the read/write array error detection. This register is readable and writable in SPI mode or I<sup>2</sup>C mode

**Table 57. SPI\_CFG Register (address 3Dh) bit allocation**

Bit	7	6	5	4	3	2	1	0
Symbol	reserved	DATASIZE	SPI_CRC_LEN[1:0]		SPICRCSEED[3:0]			
Factory default	0	0	0	0	0	0	0	0
Access	R/W	R/W	R/W	R/W	R/W	R/W	R/W	R/W

**7.7.9.1 SPI Data Field Size (DATASIZE)**

The SPI data field size bit controls the size of the SPI data field as shown in [Table 58](#).

**Table 58. DATASIZE Bit Definition**

DATASIZE	SPI Data Field Size
0	12-Bits
1	16-Bits

**7.7.9.2 SPI CRC Length and Seed Bits**

The SPI\_CRC\_LEN[1:0] bits select the CRC length for SPI Mode as shown in the table below. The SPI CRC seed bits contain the seed used for the SPI Mode. The default SPI CRC is an 8-bit. When the SPI\_CRC\_LEN[1:0] bits are set to a non-zero value using a Register Write command, the SPI CRC changes as defined in the table. The new polynomial value is enabled for both MISO and MOSI on the next SPI Mode command. The default seed (SPICRCSEED[3:0] = 0h) is FFh for an 8-bit CRC. When the value is changed to a non-zero value using a Register Write command, the SPI CRC seed changes to the value programmed as shown in the table. The new seed value is enabled for both MISO and MOSI on the next SPI Mode command.

Table 59. SPI CRC Definition

SPI_CRC_LEN[1:0]		SPICRCSEED	CRC Polynomial	CRC Seed
0	0	0	$x^8 + x^5 + x^3 + x^2 + x + 1$	1111, 1111
0	0	non-zero	$x^8 + x^5 + x^3 + x^2 + x + 1$	0000, SPICRCSEED[3:0]
0	1	0	$x^4 + 1$	1010
0	1	non-zero	$x^4 + 1$	SPICRCSEED[3:0]
1	0	0	$x^3 + x + 1$	111
1	0	non-zero	$x^3 + x + 1$	SPICRCSEED[2:0]
1	1	0	$x^3 + x + 1$	111
1	1	non-zero	$x^3 + x + 1$	SPICRCSEED[2:0]

7.7.10 WHO\_AM\_I - who am I register (address 3Eh)

The WHO\_AM\_I register is a user programmed read/write register that contains the unique product identifier. This register is included in the read/write array error detection.

Table 60. WHO\_AM\_I - device identification register (address 3Eh) bit allocation

Bit	7	6	5	4	3	2	1	0
Symbol	WHO_AM_I[7:0]							
Factory default (stored value)	0	0	0	0	0	0	0	0
Factory default (read value)	0	1	1	0	0	1	0	0
Access	R/W	R/W	R/W	R/W	R/W	R/W	R/W	R/W

The default register value is 00h. If the register value is 00h, a value of C4h is transmitted in response to a read command. For all other register values, the actual register value is transmitted in response to a read command.

Table 61. WHO\_AM\_I register values

WHO_AM_I register value (hex)	Response to a register read command
00h	C4h
01h to FFh	Actual register value

7.7.11 I2C\_ADDRESS - I<sup>2</sup>C slave address register (address 3Fh)

The I<sup>2</sup>C slave address register is a user programmed read/write register that contains the unique I<sup>2</sup>C slave address. The register is readable in all modes. This register is included in the read/write array error detection.

Table 62. I2C\_ADDRESS - I<sup>2</sup>C slave address register (address 3Fh) bit allocation

Bit	7	6	5	4	3	2	1	0
Symbol	I2C_ADDRESS[7:0]							
Factory Default (stored value)	0	0	0	0	0	0	0	0
Factory Default (read value)	0	1	1	0	0	0	0	0
Access	R/W	R/W	R/W	R/W	R/W	R/W	R/W	R/W

The default register value is 00h. If the register value is 00h, the I<sup>2</sup>C slave address is 60h and a value of 60h is transmitted in response to a read command. If the register is written to a value other than 00h, the I<sup>2</sup>C slave address is the lower seven bits of the actual register value and the actual register value is transmitted in response to a read command.



**7.7.12 DSP Configuration Registers (DSP\_CFG\_Ux)**

The DSP Configuration registers (DSP\_CFG\_Ux) are a series of registers that affect the DSP data path.

There are 5 DSP Configuration registers, however, only DSP\_CFG\_U1, DSP\_CFG\_U4 and DSP\_CFG\_U5 are used when the device is in SPI or I<sup>2</sup>C mode. The DSP\_CFG\_U2 and DSP\_CFG\_U3 registers are for factory use only and are used for internal tests.

**7.7.12.1 Self-test control bits**

The self-test control bits select one of the various analog and digital self-test features of the device as shown in the table below. The self-test control bits are not included in the read/write array error detection.

**Table 63. Self-Test Control Bits (ST\_CTRL[3:0])**

ST_CTRL[3]	ST_CTRL[2]	ST_CTRL[1]	ST_CTRL[0]	Function	SNS_DATAx_X Contents (16-bit data)
0	0	0	0	Normal Pressure Signal	16-bit Absolute Pressure Data
0	0	0	1	P-Cell Common Mode Verification	16-bit Absolute Pressure Data
0	0	1	0	reserved	reserved
0	0	1	1	reserved	reserved
0	1	0	0	DSP write to SNS_DATAx_X registers inhibited.	0000h
0	1	0	1	DSP write to SNS_DATAx_X registers inhibited.	AAAAh
0	1	1	0	DSP write to SNS_DATAx_X registers inhibited.	5555h
0	1	1	1	DSP write to SNS_DATAx_X registers inhibited.	FFFFh
1	0	0	0	reserved	reserved
1	0	0	1	reserved	reserved
1	0	1	0	reserved	reserved
1	0	1	1	reserved	reserved
1	1	0	0	Digital Self-Test 0	Digital Self-Test Output
1	1	0	1	Digital Self-Test 1	Digital Self-Test Output
1	1	1	0	Digital Self-Test 2	Digital Self-Test Output
1	1	1	1	Digital Self-Test 3	Digital Self-Test Output

**7.7.12.2 DSP\_CFG\_U1 - DSP user configuration #1 register (address 40h)**

The DSP user configuration register #1 is a user programmable read/write register that contains DSP-specific configuration information. This register is included in the read/write array error detection.

Changes to this register reset the DSP data path. The contents of the SNSDATA\_x registers are not guaranteed until the DSP has completed initialization as specified in [Table 105](#). Reads of the SNSDATA\_x registers and sensor data requests should be prevented during this time.

**Table 64. DSP\_CFG\_U1 - DSP user configuration #1 register (address 40h) bit allocation**

Bit	7	6	5	4	3	2	1	0
Symbol	LPF[3:0]				reserved	reserved	USER_RANGE[1]	USER_RANGE[0]
Factory default	0	0	0	0	0	0	0	0
Access	R/W	R/W	R/W	R/W	R/W	R/W	R/W	R/W

**Table 65. Low-pass filter selection bits (LPF[3:0])**

LPF[3]	LPF[2]	LPF[1]	LPF[0]	Low Pass Filter Type
0	0	0	0	370 Hz, 2-Pole
0	0	0	1	400 Hz, 3 Pole
0	0	1	0	800 Hz, 4-Pole
0	1	0	0	1000 Hz, 4-Pole
0	1	0	1	reserved
0	1	1	0	reserved
0	1	1	1	reserved
1	0	0	0	reserved
1	x	x	x	reserved

**Table 66. User range selection bits (USER\_RANGE[1:0])**

USER_RANGE[1]	USER_RANGE[0]	Absolute Pressure Range	Notes
0	0	reserved	For Internal use Only
0	1	reserved	For Internal use Only
1	0	reserved	For Internal use Only
1	1	reserved	For Internal use Only

**7.7.12.3 DSP\_CFG\_U3 - DSP user configuration #3 register (address 42h)**

The DSP user configuration register #3 is a user programmable read/write register that contains DSP-specific configuration information. This register is included in the read/write array error detection.

Changes to this register reset the DSP data path. The content of the SNSDATA\_x registers aren't guaranteed until the DSP has completed initialization. Reads of the SNSDATA\_x registers and sensor data requests should be prevented during this time.

This register is readable and writeable in SPI mode, and I<sup>2</sup>C mode.

**Table 67. DSP\_CFG\_U3 - DSP user configuration #3 register (address 42h) bit allocation**

Bit	7	6	5	4	3	2	1	0
Symbol	reserved	DATATYPE0[1:0]		reserved	reserved	reserved	reserved	reserved
Reset	0	0	0	0	0	0	0	0
Access	R/W	R/W	R/W	R/W	R/W	R/W	R/W	R/W

**7.7.12.3.1 DSP data type 0 selection bits (DATATYPE0)**

The DSP data type 0 selection bits select the type of data to be included in the SNSDATA0\_L and SNSDATA0\_H registers.

**Table 68. DATATYPE[1:0]**

DATATYPE0[1]	DATATYPE0[0]	SNSDATA register contents
0	0	reserved
0	1	Absolute pressure (P <sub>ABS</sub> )
1	0	Filtered absolute pressure (P <sub>0</sub> )
1	1	Temperature

7.7.12.4 DSP\_CFG\_U4 - DSP user configuration #4 register (address 43h)

The DSP user configuration register #4 is a user programmable read/write register that contains DSP-specific configuration information. This register is included in the read/write array error detection.

Table 69. DSP\_CFG\_U4 - DSP user configuration #4 register (address 43h) bit allocation

Bit	7	6	5	4	3	2	1	0
Symbol	reserved	reserved	reserved	reserved	reserved	INT_OUT	reserved	reserved
Reset	0	0	0	0	0	0	0	0
Access	R/W	R/W	R/W	R/W	R/W	R/W	R/W	R/W

Table 70. DSP\_CFG\_U4 - DSP user configuration #4 register (address 43h) bit description

Bit	Symbol	Description
7 to 3	reserved	These bits are reserved.
2	INT_OUT	The interrupt pin configuration bit selects the mode of operation for the interrupt pin. 0 — Open drain, active high with pull-down current 1 — Open drain, active low with pullup current
1 to 0	reserved	These bits are reserved.

7.7.12.5 DSP\_CFG\_U5 - DSP user configuration #5 register (address 44h)

The DSP user configuration register #5 is a read/write register that contains DSP-specific configuration information. This register is included in the read/write array error detection.

Table 71. DSP\_CFG\_U5 - DSP user configuration #5 register (address 44h) bit allocation

Bit	7	6	5	4	3	2	1	0
Symbol	ST_CTRL[3:0]				reserved			
Factory default	0	0	0	0	0	0	0	0
Access	R/W	R/W	R/W	R/W	R/W	R/W	R/W	R/W

Table 72. DSP\_CFG\_U5 - DSP user configuration #5 register (address 44h) bit description

Bit	Symbol	Description
7 to 4	ST_CTRL[3:0]	The self-test control bits select one of the various analog and digital self-test features of the device as shown in <a href="#">Table 73</a> . The self-test control bits are not included in the read/write array error detection.
3 to 0	reserved	These bits are reserved.

Table 73. Self-test control bits

ST_CTRL[3]	ST_CTRL[2]	ST_CTRL[1]	ST_CTRL[0]	Function	SNS_DATAx_X contents 16-bit data
0	0	0	0	Normal pressure signal	reserved
0	0	0	1	P-cell common mode verification	reserved
0	0	1	0	reserved	reserved
0	0	1	1	reserved	reserved
0	1	0	0	DSP write to SNS_DATAx_X registers inhibited.	0000h
0	1	0	1	DSP write to SNS_DATAx_X registers inhibited.	AAAAh
0	1	1	0	DSP write to SNS_DATAx_X registers inhibited.	5555h
0	1	1	1	DSP write to SNS_DATAx_X registers inhibited.	FFFFh

ST_CTRL[3]	ST_CTRL[2]	ST_CTRL[1]	ST_CTRL[0]	Function	SNS_DATAx_X contents 16-bit data
1	0	0	0	reserved	reserved
1	0	0	1	reserved	reserved
1	0	1	0	reserved	reserved
1	0	1	1	reserved	reserved
1	1	0	0	Digital self-test 0	8171h
1	1	0	1	Digital self-test 1	6C95h
1	1	1	0	Digital self-test 2	807Ah
1	1	1	1	Digital self-test 3	78ACh

### 7.7.13 INT\_CFG - interrupt configuration register (address 45h)

The interrupt configuration register contains configuration information for the interrupt output. This register can be written during initialization but is locked once the ENDINIT bit is set (see [Section 7.7.4 "DEVLOCK\\_WR - lock register writes register \(address 10h\)"](#)). The register is included in the read/write array error detection.

Table 74. INT\_CFG - interrupt configuration register (address 45h) bit allocation

Bit	7	6	5	4	3	2	1	0
Symbol	reserved		INT_PS[1:0]		INT_POLARITY	reserved		
Reset	0	0	0	0	0	0	0	0
Access	R/W	R/W	R/W	R/W	R/W	R/W	R/W	R/W

Table 75. INT\_CFG - interrupt configuration register (address 45h) bit description

Bit	Symbol	Description
5 to 4	INT_PS[1:0]	The INT_PS[1:0] bits set the programmable pulse stretch time for the interrupt output. Pulse stretch times are derived from the internal oscillator, so the tolerance on this oscillator applies. <b>00</b> — 0 ms <b>01</b> — 16.000 ms to 16.512 ms <b>10</b> — 64.000 ms to 64.512 ms <b>11</b> — 256.000 ms to 256.512 ms If the pulse stretch function is programmed to '00', the interrupt pin is asserted if and only if the interrupt condition exists after the most recent evaluated sample. The interrupt pin is deasserted if and only if an interrupt condition does not exist after the most recent evaluated sample. If the pulse stretch function is programmed to a non-zero value, the interrupt pin is controlled only by the value of the pulse stretch timer value. If the pulse stretch timer value is non-zero, the interrupt pin is asserted. If the pulse stretch timer is zero, the interrupt pin is deasserted. The pulse stretch counter continuously decrements until it reaches zero. The pulse stretch counter is reset to the programmed pulse stretch value if and only if an interrupt condition exists after the most recent evaluated sample.
3	INT_POLARITY	The interrupt polarity bit controls whether the interrupt is activated for values within or outside of the window selected by the high and low threshold registers. With this bit and the programmable thresholds, a window comparator can be programmed for activation either within or outside of a window. <b>0</b> — Interrupt activated, if the value is outside the window <b>1</b> — Interrupt activated, if the value is inside the window

### 7.7.14 P\_INT\_HI, P\_INT\_LO - interrupt window comparator threshold registers (address 46h to 49h)

The interrupt threshold registers contain the high and low window comparator thresholds for pressure to be used to activate and deactivate the interrupt output. These registers can be written during initialization but are locked once the ENDINIT bit is set (see [Section 7.7.4 "DEVLOCK\\_WR - lock register writes register \(address 10h\)"](#)). The register is included in the read/write array error detection.

**Table 76. P\_INT\_HI, P\_INT\_LO - interrupt window comparator threshold registers (address 46h to 49h) bit allocation**

Location		Bit								
Address	Register	8	7	6	5	4	3	2	1	0
46h	PIN_INT_HI_L	PIN_INT_HI[7:0]								
47h	PIN_INT_HI_H	PIN_INT_HI[15:8]								
48h	PIN_INT_LO_L	PIN_INT_LO[7:0]								
49h	PIN_INT_LO_H	PIN_INT_LO[15:8]								
<b>Reset</b>		0	0	0	0	0	0	0	0	0
<b>Access</b>		R/W	R/W	R/W	R/W	R/W	R/W	R/W	R/W	R/W

The pressure threshold registers hold independent unsigned 16-bit values for a high and a low threshold. The window comparator threshold alignment is shown in [Section 7.3.3.4 "Absolute pressure output data scaling equation"](#).

If either the high or low threshold is programmed to 0000h, comparisons are disabled for that threshold only. The interrupt comparison still functions for the opposite threshold. If both the high and low thresholds are programmed to 0000h, the interrupt output is disabled.

**7.7.15 P\_CAL\_ZERO - pressure calibration registers (address 4Ch, 4Dh)**

The pressure calibration registers contain user programmable values to adjust the offset of the absolute pressure.

These registers can be written during initialization but are locked once the ENDINIT bit is set (see [Section 7.7.4 "DEVLOCK\\_WR - lock register writes register \(address 10h\)"](#)). These registers are included in the read/write array error detection. Changes to these registers reset the DSP data path. The contents of the SNSDATA\_x registers are not guaranteed until the DSP has completed initialization, as specified in [Table 105](#). Reads of the SNSDATA\_x registers and sensor data requests should be prevented during this time.

**Table 77. P\_CAL\_ZERO - pressure calibration registers (address 4Ch, 4Dh) bit allocation**

Location		Bit							
Address	Register	7	6	5	4	3	2	1	0
4Ch	P_CAL_ZERO_L	P_CAL_ZERO[7:0]							
4Dh	P_CAL_ZERO_H	P_CAL_ZERO[15:8]							
<b>Reset</b>		0	0	0	0	0	0	0	0
<b>Access</b>		R/W	R/W	R/W	R/W	R/W	R/W	R/W	R/W

The P\_CAL\_ZERO register value is a signed 16-bit value that is directly added to the internally calibrated pressure signal value as shown in [Equation 6](#). The equation applies to the values in the 16-bit SNSDATA registers.

$$PABS_{kPa} = \left[ \frac{PABS_{LSB} - PABS_{OFF}_{LSB} + UserOffset}{PABS_{SENSE} \times UserGain} \right] \tag{6}$$

Where:

PABS<sub>kPa</sub> = The absolute pressure output in kPa

PABS<sub>LSB</sub> = The internal trimmed absolute pressure output in LSB

PABSOFF<sub>LSB</sub> = The internal trimmed absolute pressure output value at 0 kPa in LSB

PABS<sub>SENSE</sub> = The trimmed absolute pressure sensitivity in LSB/kPa

UserOffset = The 16-bit signed value programmed into the P\_CAL\_ZERO register

**Note:** The pressure calibration registers enable range and resolution options beyond the specified values of the device. The user must take care to ensure that the value stored in this register does not result in a compressed output range or a railed output.

**7.7.16 DSP\_STAT - DSP-specific status register (address 60h)**

The DSP status register is a read-only register that contains sensor data-specific status information.

**Table 78. DSP\_STAT - DSP-specific status register (address 60h) bit allocation**

Bit	7	6	5	4	3	2	1	0
Symbol	reserved	PABS_HIGH	PABS_LOW	reserved	ST_INCMPLT	ST_ACTIVE	CM_ERROR	ST_ERROR
Factory default	0	0	0	0	1	0	0	0
Access	R	R	R	R	R	R	R	R

**Table 79. DSP\_STAT - DSP-specific status register (address 60h) bit description**

Bit	Symbol	Description
6	PABS_HIGH	The absolute pressure out-of-range high status bit is set if the absolute pressure exceeds the absolute pressure out-of-range high limit. The PABS_HIGH bit is cleared on a read of the DSP_STAT register through any communication interface or on a data transmission that includes the error in the status field.
5	PABS_LOW	The absolute pressure out-of-range low status bit is set if the absolute pressure exceeds the absolute pressure out-of-range low limit. The PABS_LOW bit is cleared on a read of the DSP_STAT register through any communication interface or on a data transmission that includes the error in the status field.
3	ST_INCMPLT	The self-test incomplete bit is set after a device reset and is only cleared when one of the analog or digital self-test modes is enabled in the ST_CTRL register (ST_CTRL[3] = '1'   ST_CTRL[2] = '1'     ST_CTRL[1] = '1'     ST_CTRL[0] = '1'). <b>0</b> — An analog or digital self-test has been activated since the last reset. <b>1</b> — No analog or digital self-test has been activated since the last reset.
2	ST_ACTIVE	The self-test active bit is set if any self-test mode is currently active. The self-test active bit is cleared when no self-test mode is active. ST_ACTIVE= ST_CTRL[3]   ST_CTRL[2]   ST_CTRL[1]   ST_CTRL[0]
1	CM_ERROR	The absolute pressure common mode error status bit is set if the common mode value of the analog front end exceeds predetermined limits. The CM_ERROR bit is cleared on a read of the DSP_STAT register through any communication interface or on a data transmission that includes the error in the status field.
0	ST_ERROR	The self-test error flag is set if an internal self-test fails as described in <a href="#">Section 7.3.1</a> . This bit can only be cleared by a device reset.

**7.7.17 DEVSTAT\_COPY - device status copy register (address 61h)**

The device status copy register is a read-only register that contains a copy of the device status information contained in the DEVSTAT register. See [Section 7.7.2.1 "DEVSTAT - device status register \(address 01h\)"](#) for details regarding the DEVSTAT register contents. A read of the DEVSTAT\_COPY register has the same effect as a read of the DEVSTAT register.

**Table 80. DEVSTAT\_COPY - device status copy register (address 61h) bit allocation**

Bit	7	6	5	4	3	2	1	0
Symbol	DSP_ERR	reserved	COMM_ERR	MEMTEMP_ERR	SUPPLY_ERR	TESTMODE	DEVRES	DEVINIT
Reset	0	0	0	0	0	0	0	0
Access	R	R	R	R	R	R	R	R

**7.7.18 SNSDATA0\_L, SNSDATA0\_H - sensor data #0 registers (address 62h, 63h)**

The sensor data #0 registers are read-only registers that contain the 16-bit sensor data. See [Section 7.3.3.4 "Absolute pressure output data scaling equation"](#) for details regarding the 16-bit sensor data.

The SNSDATA0\_H register value is latched on a read of the SNSDATA0\_L register value until the SNSDATA0\_H register is read. To avoid data mismatch, the user is required to always read the registers in sequence, SNSDATA0\_L register first, followed by the SNSDATA0\_H register.

**Table 81. SNSDATA0\_L, SNSDATA0\_H - sensor data #0 registers (addresses 62h, 63h) bit allocation**

Location		Bit							
Address	Symbol	7	6	5	4	3	2	1	0
62h	SNSDATA0_L	SNSDATA0_L[7:0]							
63h	SNSDATA0_H	SNSDATA0_H[15:8]							
Factory default		0	0	0	0	0	0	0	0
Access		R	R	R	R	R	R	R	R

**7.7.19 SNSDATA1\_L, SNSDATA1\_H - sensor data #1 registers (address 64h, 65h)**

The sensor data #1 registers are read-only registers that contain the 16-bit sensor data. See [Section 7.3.3.4 "Absolute pressure output data scaling equation"](#) for details regarding the 16-bit sensor data.

The SNSDATA1\_H register value is latched on a read of the SNSDATA1\_L register value until the SNSDATA1\_H register is read. To avoid data mismatch, the user is required to always read the registers in sequence, SNSDATA1\_L register first, followed by the SNSDATA1\_H register.

**Table 82. SNSDATA1\_L, SNSDATA1\_H - sensor data #1 registers (address 64h, 65h) bit allocation**

Location		Bit							
Address	Symbol	7	6	5	4	3	2	1	0
64h	SNSDATA1_L	SNSDATA1_L[7:0]							
65h	SNSDATA1_H	SNSDATA1_H[15:8]							
Factory default		0	0	0	0	0	0	0	0
Access		R	R	R	R	R	R	R	R

**7.7.20 SNSDATA0\_TIMEx - time stamp registers (address 66h to 6Bh)**

The sensor data 0 time stamp registers are read-only registers that contain a 48-bit time stamp.

The value of the 48-bit free running timer register is copied to the sensor data 0 time stamp registers each time sensor data 0 data is latched for transmission. The time stamp is updated at the start of the sensor data 0 register value transmission for a register read of the SNSDATA0\_L register.

The time stamp register is organized to allow for optimized reading of the time stamp in I<sup>2</sup>C automatic sensor data register read wrap-around mode as documented in [Table 9](#).

The sensor data 0 time stamp registers are read-only registers that contain a 48-bit time stamp.

The value of the 48-bit free running timer register is copied to the sensor data 0 time stamp registers each time sensor data 0 data is latched for transmission via SPI.

**Table 83. SNSDATA0\_TIME<sub>x</sub> - time stamp register (address 66h to 6Bh) bit allocation**

Location		Bit							
Address	Symbol	7	6	5	4	3	2	1	0
66h	SNSDATA0_TIME0	SNSDATA0_TIME[7:0]							
67h	SNSDATA0_TIME1	SNSDATA0_TIME[15:8]							
68h	SNSDATA0_TIME2	SNSDATA0_TIME[23:16]							
69h	SNSDATA0_TIME3	SNSDATA0_TIME[31:24]							
6Ah	SNSDATA0_TIME4	SNSDATA0_TIME[39:32]							
6Bh	SNSDATA0_TIME5	SNSDATA0_TIME[47:40]							
<b>Factory default</b>		0	0	0	0	0	0	0	0
<b>Access</b>		R	R	R	R	R	R	R	R

### 7.7.21 P\_MAX, P\_MIN - maximum and minimum absolute pressure value registers (address 6Ch to 6Fh)

The minimum and maximum absolute pressure value registers are read-only registers that contain a sample-by-sample continuously updated minimum and maximum 16-bit absolute pressure value. The value is reset to 0000h on a write to a DSP\_CFG\_U1 register that changes the value of the LPF[2:0] or ST\_CTRL[3:0].

The values of P\_Max and P\_Min obtained during a SPI or I<sup>2</sup>C register read might not always be the same value as the instantaneous pressure value obtained from the SNSDATA\_x registers.

These registers are readable in SPI mode or I<sup>2</sup>C mode. In I<sup>2</sup>C mode the P\_xxx\_H register value is latched on a read of the P\_xxx\_L register value until the P\_xxx\_H register is read. To avoid data mismatch, the user is required to always read the registers in sequence, P\_xxx\_L register first, followed by the P\_xxx\_H register.

**Table 84. P\_Max and P\_Min registers (address 6Ch to 6Fh) bit allocation**

Location		Bit							
Address	Symbol	7	6	5	4	3	2	1	0
6Ch	P_MAX_L	P_MAX[7:0]							
6Dh	P_MAX_H	P_MAX[15:8]							
6Eh	P_MIN_L	P_MIN[7:0]							
6Fh	P_MIN_H	P_MIN[15:8]							
<b>Factory default</b>		0	0	0	0	0	0	0	0
<b>Access</b>		R	R	R	R	R	R	R	R

### 7.7.22 FRT - free running timer registers (addresses 78h to 7Dh)

The free running timer registers are read-only registers that contain a 48-bit free running timer. The free running timer is clocked by the main oscillator frequency and increments every 100 ns.



**Table 85. FRT - free running timer registers (addresses 78h to 7Dh) bit allocation**

Location		Bit							
Address	Symbol	7	6	5	4	3	2	1	0
78h	FRT0	FRT[7:0]							
79h	FRT1	FRT[15:8]							
7Ah	FRT2	FRT[23:16]							
7Bh	FRT3	FRT[31:24]							
7Ch	FRT4	FRT[39:32]							
7Dh	FRT5	FRT[47:40]							
<b>Access</b>		R	R	R	R	R	R	R	R

### 7.7.23 IC type register (Address C0h)

The IC type register is a factory programmable OTP register that contains the IC type as defined below. This register is included in the factory programmed OTP array error detection. This register is readable in SPI mode or I<sup>2</sup>C mode when ENDINIT is not set.

**Table 86. IC TYPE REGISTER (ICTYPEID address C0h) bit allocation**

Bit	7	6	5	4	3	2	1	0
<b>Symbol</b>	ICTYPEID[7:0]							
<b>Reset</b>	0	0	0	0	0	0	1	0
<b>Access</b>	R	R	R	R	R	R	R	R

### 7.7.24 IC manufacturer revision register (Address C1h)

The IC manufacturer revision register is a factory programmable OTP register that contains the IC revision. The upper nibble contains the main IC revision. The lower nibble contains the sub IC revision. This register is included in the factory programmed OTP array error detection. This register is readable in SPI mode or I<sup>2</sup>C mode when ENDINIT is not set.

**Table 87. IC MANUFACTURER REVISION REGISTER (ICREVID address C1h) bit allocation**

Bit	7	6	5	4	3	2	1	0
<b>Symbol</b>	ICREVID[7:0]							
<b>Reset</b>	N/A	N/A	N/A	N/A	N/A	N/A	N/A	N/A
<b>Access</b>	R	R	R	R	R	R	R	R

### 7.7.25 IC manufacturer identification register (address C2h)

The IC manufacturer identification register is a factory programmable OTP register that identifies NXP as the IC manufacturer. This register is included in the factory programmed OTP array error detection. This register is readable in SPI mode or I<sup>2</sup>C mode when ENDINIT is not set.

**Table 88. IC MANUFACTURER IDENTIFICATION REGISTER (ICMFGID address C2h) bit allocation**

Bit	7	6	5	4	3	2	1	0
<b>Symbol</b>	ICMFGID[7:0]							
<b>Reset</b>	0	0	0	0	0	0	1	0
<b>Access</b>	R	R	R	R	R	R	R	R

**7.7.26 Part number register (address C4h, C5h)**

The part number registers are factory programmed OTP registers that include the numeric portion of the device part number. These registers are included in the factory programmed OTP array error detection. These registers are readable in SPI mode or I<sup>2</sup>C mode when ENDINIT is not set.

**Table 89. PN0 Register (address C4h) bit allocation**

Bit	7	6	5	4	3	2	1	0
Symbol	PN0[7:0]							
Reset	N/A	N/A	N/A	N/A	N/A	N/A	N/A	N/A
Access	R	R	R	R	R	R	R	R

**Table 90. PN1 Register (address C5h) bit allocation**

Bit	7	6	5	4	3	2	1	0
Symbol	PN1[7:0]							
Reset	N/A	N/A	N/A	N/A	N/A	N/A	N/A	N/A
Access	R	R	R	R	R	R	R	R

**7.7.27 Device serial number registers**

The serial number registers are factory programmed OTP registers that include the unique serial number of the device. Serial numbers begin at 1 for all produced devices in each lot and are sequentially assigned. Lot numbers begin at 1 and are sequentially assigned. No lot will contain more devices than can be uniquely identified by the 14-bit serial number. Depending on lot size and quantities, all possible lot numbers and serial numbers might not be assigned. These registers are included in the factory programmed OTP array error detection. These registers are readable in SPI mode or I<sup>2</sup>C mode when ENDINIT is not set.

**Table 91. SN0 Register (address C6h) bit allocation**

Bit	7	6	5	4	3	2	1	0
Symbol	SN[7:0]							
Reset	N/A	N/A	N/A	N/A	N/A	N/A	N/A	N/A
Access	R	R	R	R	R	R	R	R

**Table 92. SN1 Register (address C7h) bit allocation**

Bit	7	6	5	4	3	2	1	0
Symbol	SN[7:0]							
Reset	N/A	N/A	N/A	N/A	N/A	N/A	N/A	N/A
Access	R	R	R	R	R	R	R	R

**Table 93. SN2 Register (address C8h) bit allocation**

Bit	7	6	5	4	3	2	1	0
Symbol	SN[7:0]							
Reset	N/A	N/A	N/A	N/A	N/A	N/A	N/A	N/A
Access	R	R	R	R	R	R	R	R

**Table 94. SN3 Register (address C9h) bit allocation**

Bit	7	6	5	4	3	2	1	0
Symbol	SN[7:0]							
Reset	N/A	N/A	N/A	N/A	N/A	N/A	N/A	N/A
Access	R	R	R	R	R	R	R	R

**Table 95. SN4 Register (address CAh) bit allocation**

Bit	7	6	5	4	3	2	1	0
Symbol	SN[7:0]							
Reset	N/A	N/A	N/A	N/A	N/A	N/A	N/A	N/A
Access	R	R	R	R	R	R	R	R

### 7.7.28 ASIC wafer ID registers

The ASIC wafer ID registers are factory programmed OTP registers that include the wafer number, wafer X and Y coordinates and the wafer lot number for the device ASIC. These registers are included in the factory programmed OTP array error detection. These registers are readable in SPI mode or I<sup>2</sup>C mode when ENDINIT is not set.

**Table 96. ASICWFR# Register (address CBh) bit allocation**

Bit	7	6	5	4	3	2	1	0
Symbol	ASICWFR#[7:0]							
Reset	N/A	N/A	N/A	N/A	N/A	N/A	N/A	N/A
Access	R	R	R	R	R	R	R	R

**Table 97. ASICWFR\_X Register (address CCh) bit allocation**

Bit	7	6	5	4	3	2	1	0
Symbol	ASICWFR_X[7:0]							
Reset	N/A	N/A	N/A	N/A	N/A	N/A	N/A	N/A
Access	R	R	R	R	R	R	R	R

**Table 98. ASICWFR\_Y Register (address CDh) bit allocation**

Bit	7	6	5	4	3	2	1	0
Symbol	ASICWFR_Y[7:0]							
Reset	N/A	N/A	N/A	N/A	N/A	N/A	N/A	N/A
Access	R	R	R	R	R	R	R	R

**Table 99. ASICWLOT\_L Register (address D0h) bit allocation**

Bit	7	6	5	4	3	2	1	0
Symbol	ASICWLOT_L[7:0]							
Reset	N/A	N/A	N/A	N/A	N/A	N/A	N/A	N/A
Access	R	R	R	R	R	R	R	R

Table 100. ASICWLOT\_H Register (address D1h) bit allocation

Bit	7	6	5	4	3	2	1	0
Symbol	ASICWLOT_H[7:0]							
Reset	N/A	N/A	N/A	N/A	N/A	N/A	N/A	N/A
Access	R	R	R	R	R	R	R	R

### 7.7.29 USERDATA\_0 to USERDATA\_E - user data registers

User data registers are user programmable OTP registers that contain user-specific information. These registers are included in the user programmed OTP array error detection. These registers are readable and writable in SPI mode or I<sup>2</sup>C mode when ENDINIT is not set.

### 7.7.30 USERDATA\_10 to USERDATA\_1E - user data registers

User data registers are user programmable OTP registers that contain user-specific information. These registers are included in the user programmed OTP array error detection. These registers are readable and writable in SPI mode or I<sup>2</sup>C mode when ENDINIT is not set.

### 7.7.31 Lock and CRC Registers

The lock and CRC Registers are automatically programmed OTP registers that include the lock bit, the block identifier, and the block OTP array CRC use for error detection. These registers are automatically programmed when the corresponding data array is programmed to OTP using the Write OTP Enable register.

Table 101. Lock and CRC Register bit definitions

Location		Bit							
Address	Register	7	6	5	4	3	2	1	0
5Fh	CRC_UF2	LOCK_UF2	0	0	0	CRC_UF2[3:0]			
Factory Default		0	0	0	0	0	0	0	0
AFh	CRC_F_A	LOCK_F_A	REGA_BLOCKID[2:0]			CRC_F_A[3:0]			
Factory Default		1	0	0	1	varies			
BFh	CRC_F_B	LOCK_F_B	REGB_BLOCKID[2:0]			CRC_F_B[3:0]			
Factory Default		1	0	1	0	varies			
CFh	CRC_F_C	LOCK_F_C	REGC_BLOCKID[2:0]			CRC_F_C[3:0]			
Factory Default		1	0	1	1	varies			
DFh	CRC_F_D	LOCK_F_D	REGD_BLOCKID[2:0]			CRC_F_D[3:0]			
Factory Default		1	1	0	1	varies			
EFh	CRC_F_E	LOCK_F_E	REGE_BLOCKID[2:0]			CRC_F_E[3:0]			
Factory Default		0	0	0	0	0	0	0	0
FFh	CRC_F_F	LOCK_F_F	REGF_BLOCKID[2:0]			CRC_F_F[3:0]			
Factory Default		0	0	0	0	0	0	0	0

### 7.7.32 Reserved registers

A register read command to a reserved register or a register with reserved bits results in a valid response. The data for reserved bits may be '0' or '1'.

A register write command to a reserved register or a register with reserved bits executes and results in a valid response. The data for the reserved bits may be '0' or '1'. A write to the reserved bits must always be '0' for normal device operation and performance.

### 7.7.33 Invalid register addresses

A register read command to a register address outside of the addresses listed in [Section 7.6 "User-accessible data array"](#) results in a valid response. The data for the registers will be '00h'.

A register write command to a register address outside of the addresses listed in [Section 7.6 "User-accessible data array"](#) will not execute, but results in a valid response. The data for the registers will be '00h'.

A register write command to a read-only register will not execute, but results in a valid response. The data for the registers is the current content of the registers.

## 7.8 Read/write register array CRC verification

The writable registers (all registers with the exception of the DEVLOCK\_WR register) are verified by a continuous 4-bit CRC that is calculated on the entire array once ENDINIT is set. The CRC verification uses a generator polynomial of  $g(x) = X^4 + X^3 + 1$ , with a seed value = '0000'.

## 8 Maximum ratings


Absolute maximum ratings are the limits the device can be exposed to without permanently damaging it. Absolute maximum ratings are stress ratings only; functional operation at these ratings is not guaranteed. Exposure to absolute maximum ratings conditions for extended periods might affect device reliability.


This device contains circuitry to protect against damage due to high static voltage or electrical fields. NXP advises that normal precautions be taken to avoid application of any voltages higher than maximum-rated voltages to this high-impedance circuit.

**Table 102. Maximum ratings**

Symbol	Parameter	Conditions	Min	Max	Unit
V <sub>CCMAX</sub>	Supply Voltage	V <sub>CC</sub> , V <sub>CCIO</sub> [1]	—	+6.0	V
h <sub>DROP</sub>	Drop shock	To concrete, tile or steel surface, 10 drops, any orientation [2]	—	1.2	m
T <sub>stg</sub>	Temperature range	Storage [2]	-40	+130	°C
T <sub>J</sub>		Junction [2] [3]	-40	+150	°C
P <sub>MAX</sub>	Maximum absolute pressure	Continuous (tested at 10 s) [1]	—	150	kPa
P <sub>BURST</sub>		Burst (tested at 100 ms) [1]	—	345	kPa
P <sub>MIN</sub>	Minimum absolute pressure	Continuous [1]	—	40	kPa
f <sub>SEAL</sub>	Pressure sealing force	Applied to top face of package [1]	—	10	N
θ <sub>JA</sub>	Thermal resistance	[4]	—	120	°C/W
<b>ESD and latch-up protection characteristics</b>					
V <sub>ESD</sub>	Electrostatic discharge (per AEC-Q100, Rev H)	Human body model (HBM) [2]	-2000	2000	V
V <sub>ESD</sub>		Charge device model (CDM) [2] [5]	-500	500	V

- [1] Parameter verified by parametric and functional validation.
- [2] Parameter verified by qualification testing (Per AEC-Q100 Rev H or per NXP specification).
- [3] Functionality verified by modeling, simulation and/or design verification.
- [4] Thermal resistance provided with device mounted to a two-layer, 1.6 mm FR-4 PCB as documented in AN1902 with one signal layer and one ground layer.
- [5] CDM tested at ±750 V for corner pins and ±500 V for all other pins.

	<b>Caution</b>
	This device is sensitive to mechanical shock. Improper handling can cause permanent damage to the part.

	<b>Caution</b>
	This is an ESD sensitive device. Improper handling can cause permanent damage to the part.

## 9 Operating range

**Table 103. Electrical characteristics — supply and I/O**

$V_{CC\_min} \leq (V_{CC} - V_{SS}) \leq V_{CC\_max}$ ,  $T_L \leq T_A \leq T_H$ ,  $\Delta T \leq 25$  °C/min, unless otherwise specified.

Symbol	Parameter	Conditions	Min	Max	Units
V <sub>CC</sub>	Supply voltage	Measured at V <sub>CC</sub> [1]	3.10	5.25	V
T <sub>A</sub>	Operating temperature range	V <sub>CC</sub> = 5.0 V, unless otherwise stated. Production tested operating temperature range [1]	T <sub>L</sub> -40	T <sub>H</sub> +130	°C
T <sub>A</sub>		Guaranteed operating temperature range [1]	-40	+130	°C
V <sub>CC\_RAMP\_SPI</sub>	Supply power on ramp rate	[2]	0.00001	10	V/μs

[1] Parameter tested at final test.

[2] Parameter verified by parametric and functional validation.

## 10 Static characteristics

**Table 104. Static characteristics**

$V_{CC\_min} \leq (V_{CC} - V_{SS}) \leq V_{CC\_max}$ ,  $T_L \leq T_A \leq T_H$ ,  $\Delta T \leq 25$  °C/min, unless otherwise specified.

Symbol	Parameter	Condition	Min	Typ	Max	Units
<b>Supply and I/O</b>						
I <sub>IH</sub>	Input current high	At V <sub>IH</sub> : SCLK/SCL [1]	10	20	70	μA
I <sub>IL</sub>	Input current low	At V <sub>IL</sub> : SS_B [1]	-70	-20	-10	μA
I <sub>MISO_Lkg</sub>	MISO output leakage	[1]	-5	—	5	μA
I <sub>q</sub>	Supply current	V <sub>CC</sub> = 5.0 V [1]	—	—	8.0	mA
V <sub>CC_UV_F</sub>	Low-voltage detection threshold	V <sub>CC</sub> falling [1]	2.64	2.74	2.84	V
V <sub>I_HYST</sub>	Input voltage hysteresis	SCLK/SCL, SS_B, MOSI [2]	0.125	—	0.500	V
V <sub>IH</sub>	Input high voltage (at V <sub>CC</sub> = 3.3 V)	SCLK/SCL, SS_B, MOSI [1]	2.0	—	—	V
V <sub>IL</sub>	Input low voltage	SCLK/SCL, SS_B, MOSI [1]	—	—	1.0	V
V <sub>INT_OH</sub>	Output high voltage	I <sub>Load</sub> = -100 μA [3]	V <sub>CC</sub> - 0.35	—	V <sub>CC</sub>	V
V <sub>INT_OL</sub>	Output low voltage	I <sub>Load</sub> = 100 μA [3]	—	—	0.1	V
V <sub>OH</sub>	Output high voltage	MISO/SDA, I <sub>Load</sub> = -1 mA [1]	V <sub>CC</sub> - 0.2	—	—	V
<b>Temperature sensor signal chain</b>						
T <sub>RANGE</sub>	Temperature measurement range	[3]	-50	—	+160	°C
T <sub>25</sub>	Temperature output	At 25 °C [3]	83	93	103	LSB
T <sub>RANGE</sub>	Range of output (8-bit)	Unsigned temperature [3]	0	—	255	LSB
T <sub>SENSE</sub>	Temperature output sensitivity (8-bit)	[4]	—	1.00	—	LSB/°C
T <sub>ACC</sub>	Temperature output accuracy (8-bit)	[4]	-10	—	+10	°C
T <sub>RMS</sub>	Temperature output noise RMS (8-bit)	Standard deviation of 50 readings, f <sub>Sam</sub> = 8 kHz [4]	—	—	+2	LSB
<b>Absolute pressure sensor signal chain</b>						
P <sub>ABS</sub>	Absolute pressure range	[2]	40	—	115	kPa
P <sub>SENS</sub>	Absolute pressure output sensitivity	P_CAL_ZERO = 0h Temperature = -40 °C and 130 °C, V <sub>CC</sub> = 5.0 V. 12-bit at 0 Hz, tested at P <sub>ABS</sub> = 100 kPa ± 10 % and 110 kPa ± 10 % [5]	—	46.64	—	LSB/kPa

Symbol	Parameter	Condition	Min	Typ	Max	Units
P <sub>ACC_LoT1</sub>	Absolute pressure accuracy <sup>[6]</sup>	V <sub>CC</sub> = 5.0 V -40 °C ≤ T <sub>A</sub> < -20 °C	<sup>[5]</sup> <sup>[7]</sup> -2.0	—	+2.0	kPa
P <sub>ACC_LoT2</sub>	Absolute pressure accuracy <sup>[6]</sup>	V <sub>CC</sub> = 5.0 V -20 °C ≤ T <sub>A</sub> < 0 °C	<sup>[5]</sup> <sup>[7]</sup> -1.75	—	+1.75	kPa
P <sub>ACC_Typ</sub>	Absolute pressure accuracy <sup>[6]</sup>	V <sub>CC</sub> = 5.0 V 0 °C ≤ T <sub>A</sub> ≤ 85 °C	<sup>[5]</sup> <sup>[7]</sup> -1.25	—	+1.25	kPa
P <sub>ACC_HiT</sub>	Absolute pressure accuracy <sup>[6]</sup>	V <sub>CC</sub> = 5.0 V 85 °C < T <sub>A</sub> ≤ 130 °C	<sup>[5]</sup> <sup>[7]</sup> -2.0	—	+2.0	kPa
P <sub>ABS_DErr</sub>	Absolute pressure output range	Digital error response	<sup>[2]</sup> —	0	—	LSB
P <sub>ABS_DRng</sub>	Absolute pressure output range	Digital, 12-bit	<sup>[2]</sup> 1	—	4095	LSB
P <sub>ABS_DRng</sub>	Absolute pressure output range	Digital error response	<sup>[2]</sup> —	0	—	LSB
P <sub>ABS_DNL</sub>	Absolute pressure nonlinearity	Absolute pressure DNL, 12-bit monotonic with no missing codes	<sup>[3]</sup> —	—	+1	LSB
P <sub>ABS_INL</sub>	Absolute pressure nonlinearity	Absolute pressure INL, 12- bit (least squares BFLS)	<sup>[3]</sup> —	—	+20	LSB
P <sub>ABS_Peak</sub>	Absolute pressure noise peak (12-bit)	Temperature = -40 °C and 130 °C, V <sub>CC</sub> = 5.0 V. Maximum deviation from mean, 50 readings, f <sub>Samp</sub> = 1 kHz, LPF = 1000 Hz, 4- pole	<sup>[1]</sup> -8	—	+8	LSB
P <sub>ABS_RMS</sub>	Absolute pressure noise RMS (12-bit)	Temperature = -40 °C and 130 °C, V <sub>CC</sub> = 5.0 V. Standard deviation of 50 readings, f <sub>Samp</sub> = 8 kHz, LPF = 1000 Hz, 4-pole	<sup>[5]</sup> —	—	+2	LSB
P <sub>OFF_D12</sub>	Absolute pressure offset	At minimum rated pressure, P <sub>CAL_ZERO</sub> = 0h, Temperature = -40 °C and 130 °C, V <sub>CC</sub> = 5.0 V, 12-bit	<sup>[5]</sup> —	299	—	LSB
PSC <sub>3</sub> PSC <sub>SPI3</sub>	Digital power supply coupling	C <sub>VCC</sub> = 0.1 µf, 12-bit data 1 kHz ≤ f <sub>n</sub> ≤ 100 MHz, V <sub>CC</sub> = 3.3 V ± 0.1 V	<sup>[3]</sup> —	—	2	LSB
PSC <sub>5</sub> PSC <sub>SPI5</sub>	Digital power supply coupling	C <sub>VCC</sub> = 0.1 µf, 12-bit data 1 kHz ≤ f <sub>n</sub> ≤ 100 MHz, V <sub>CC</sub> = 5.0 V ± 0.1 V	<sup>[3]</sup> —	—	2	LSB

- [1] Parameter verified by pass/fail testing at final test.
- [2] Functionality verified by modeling, simulation and/or design verification.
- [3] Parameter verified by functional validation.
- [4] Parameter verified by characterization.
- [5] Parameter tested at final test.
- [6] See [Section 13](#) for accuracy over temperature and life, including nonlinearity, full scale = P<sub>ABS</sub> range.
- [7] Parameter does not include lifetime drift. For complete pressure drift over temperature and life, review [Section 13](#).

## 11 Dynamic characteristics

**Table 105. Dynamic characteristics**

V<sub>CC\_min</sub> ≤ (V<sub>CC</sub> - V<sub>SS</sub>) ≤ V<sub>CC\_max</sub>, T<sub>L</sub> ≤ T<sub>A</sub> ≤ T<sub>H</sub>, ΔT ≤ 25 °C/min, unless otherwise specified.

Symbol	Parameter	Condition	Min	Typ	Max	Units
I <sup>2</sup> C						
t <sub>SCL_100</sub>	Clock (SCL) period (30 % of V <sub>CC</sub> to 30 % of V <sub>CC</sub> )	100 kHz mode	<sup>[1]</sup> —	9.50	—	µs
t <sub>SCL_400</sub>		400 kHz mode	<sup>[1]</sup> —	2.37	—	µs
t <sub>SCL_1000</sub>		1000 kHz mode	<sup>[1]</sup> —	1.00	—	µs



Symbol	Parameter	Condition	Min	Typ	Max	Units
t <sub>SCLH_100</sub> t <sub>SCLH_400</sub> t <sub>SCLH_1000</sub>	Clock (SCL) high time (70 % of V <sub>CC</sub> to 70 % of V <sub>CC</sub> )	100 kHz mode [1]	—	4.00	—	μs
		400 kHz mode [1]	—	0.60	—	μs
		1000 kHz mode (not compliant with UM10204, rev.6) [1]	—	0.50	—	μs
t <sub>SCLL_100</sub> t <sub>SCLL_400</sub> t <sub>SCLL_1000</sub>	Clock (SCL) low time (30 % of V <sub>CC</sub> to 30 % of V <sub>CC</sub> )	100 kHz mode [1]	—	4.70	—	μs
		400 kHz mode [1]	—	1.30	—	μs
		1000 kHz mode [1]	—	0.50	—	μs
t <sub>SRISE_100</sub> t <sub>SRISE_400</sub> t <sub>SRISE_1000</sub>	Clock (SCL) and data (SDA) rise time (30 % of V <sub>CC</sub> to 70 % of V <sub>CC</sub> )	100 kHz mode [1]	—	—	1000	ns
		400 kHz mode [1]	—	—	300	ns
		1000 kHz mode [1]	—	—	120	ns
t <sub>SFALL_100</sub> t <sub>SFALL_400</sub> t <sub>SFALL_1000</sub>	Clock (SCL) and data (SDA) fall time (70 % of V <sub>CC</sub> to 30 % of V <sub>CC</sub> )	100 kHz mode [1]	—	—	300	ns
		400 kHz mode [1]	—	—	300	ns
		1000 kHz mode [1]	—	—	120	ns
t <sub>SETUP_100</sub> t <sub>SETUP_400</sub> t <sub>SETUP_1000</sub>	Data input setup time (SDA = 30/70 % of V <sub>CC</sub> to SCL = 30 % of V <sub>CC</sub> )	100 kHz mode [1]	—	250	—	ns
		400 kHz mode [1]	—	100	—	ns
		1000 kHz mode [1]	—	50	—	ns
t <sub>HOLD_100</sub> t <sub>HOLD_400</sub> t <sub>HOLD_1000</sub>	Data input hold time (SCL = 70 % of V <sub>CC</sub> to SDA = 30/70 % of V <sub>CC</sub> )	100 kHz mode [1]	—	0	900	ns
		400 kHz mode [1]	—	0	900	ns
		1000 kHz mode [1]	—	0	300	ns
t <sub>STARTSETUP_100</sub> t <sub>STARTSETUP_400</sub> t <sub>STARTSETUP_1000</sub>	Start condition setup time (SDA = 30/70 % of V <sub>CC</sub> to SCL = 30 % of V <sub>CC</sub> )	100 kHz mode [1]	—	4.70	—	μs
		400 kHz mode [1]	—	0.60	—	μs
		1000 kHz mode [1]	—	0.26	—	μs
t <sub>STARHOLD_100</sub> t <sub>STARHOLD_400</sub> t <sub>STARHOLD_1000</sub>	Start condition hold time (SCL = 70 % of V <sub>CC</sub> to SDA = 30/70 % of V <sub>CC</sub> )	100 kHz mode [1]	—	4.00	—	μs
		400 kHz mode [1]	—	0.60	—	μs
		1000 kHz mode [1]	—	0.26	—	μs
t <sub>STOPSETUP_100</sub> t <sub>STOPSETUP_400</sub> t <sub>STOPSETUP_1000</sub>	Stop condition setup time (SDA = 30/70 % of V <sub>CC</sub> to SCL = 30 % of V <sub>CC</sub> )	100 kHz mode [1]	—	4.00	—	μs
		400 kHz mode [1]	—	0.60	—	μs
		1000 kHz mode [1]	—	0.26	—	μs
t <sub>VALID_100</sub> t <sub>VALID_400</sub> t <sub>VALID_1000</sub>	SCLK low to data valid (SCL = 30 % of V <sub>CC</sub> to SDA = 30/70 % of V <sub>CC</sub> )	100 kHz mode [1]	—	—	3.45	μs
		400 kHz mode [1]	—	—	0.90	μs
		1000 kHz mode [1]	—	—	0.45	μs
t <sub>FREE_100</sub> t <sub>FREE_400</sub> t <sub>FREE_1000</sub>	Bus free time (SDA = 70 % of V <sub>CC</sub> to SDA = 70 % of V <sub>CC</sub> )	100 kHz mode [1]	—	4.00	—	μs
		400 kHz mode [1]	—	1.30	—	μs
		1000 kHz mode [1]	—	0.50	—	μs
C <sub>BUS</sub>	Bus capacitive load	[2]	—	—	400	pF
<b>SPI</b>						
t <sub>SCLK</sub>	Serial interface timing <sup>[3]</sup>	Clock (SCLK) period (10 % of V <sub>CC</sub> to 10 % of V <sub>CC</sub> ) [1]	—	90	—	ns
t <sub>SCLKH</sub>	Serial interface timing <sup>[3]</sup>	Clock (SCLK) period (90 % of V <sub>CC</sub> to 90 % of V <sub>CC</sub> ) [1]	—	30	—	ns
t <sub>SCLKL</sub>		Clock (SCLK) period (10 % of V <sub>CC</sub> to 10 % of V <sub>CC</sub> ) [1]	—	30	—	ns
t <sub>SCLKR</sub>	Serial interface timing <sup>[3]</sup>	Clock (SCLK) period (10 % of V <sub>CC</sub> to 90 % of V <sub>CC</sub> ) [1]	—	10	25	ns
t <sub>SCLKF</sub>		Clock (SCLK) period (90 % of V <sub>CC</sub> to 10 % of V <sub>CC</sub> ) [1]	—	10	25	ns
t <sub>LEAD</sub>	Serial interface timing <sup>[3]</sup>	SS_B asserted to SCLK high (SS_B = 10 % of V <sub>CC</sub> to SCLK = 10 % of V <sub>CC</sub> ) [1]	—	50	—	ns
t <sub>ACCESS</sub>	Serial interface timing <sup>[3]</sup>	SS_B asserted to SCLK high (SS_B = 10 % of V <sub>CC</sub> to MISO = 10/90 % of V <sub>CC</sub> ) [1]	—	—	50	ns
t <sub>SETUP</sub>	Serial interface timing <sup>[3]</sup>	SS_B asserted to SCLK high (MOSI = 10/90 % of V <sub>CC</sub> to SCLK = 10 % of V <sub>CC</sub> ) [1]	—	20	—	ns

Symbol	Parameter	Condition	Min	Typ	Max	Units
t <sub>HOLD_IN</sub>	Serial interface timing <sup>[3]</sup>	MOSI data hold time (SCLK = 90 % of V <sub>CC</sub> to MOSI = 10/90 % of V <sub>CC</sub> )	[1] —	10	—	ns
t <sub>HOLD_OUT</sub>		MOSI data hold time (SCLK = 90 % of V <sub>CC</sub> to MISO = 10/90 % of V <sub>CC</sub> )	[1] 0	—	—	ns
t <sub>VALID</sub>	Serial interface timing <sup>[3]</sup>	SCLK low to data valid (SCLK = 10 % of V <sub>CC</sub> to MISO = 10/90 % of V <sub>CC</sub> )	[1] —	—	30	ns
t <sub>LAG</sub>	Serial interface timing <sup>[3]</sup>	SCLK low to SS_B high (SCLK = 10 % of V <sub>CC</sub> to SS_B = 90 % of V <sub>CC</sub> )	[1] —	60	—	ns
t <sub>DISABLE</sub>	Serial interface timing <sup>[3]</sup>	SS_B high to MISO disable (SS_B = 90 % of V <sub>CC</sub> to MISO = Hi Z)	[1] —	—	60	ns
t <sub>SSN</sub>	Serial interface timing <sup>[3]</sup>	SS_B high to SS_B low (SS_B = 90 % of V <sub>CC</sub> to SS_B = 90 % of V <sub>CC</sub> )	[1] —	500	—	ns
t <sub>SLKSS</sub>	Serial interface timing <sup>[3]</sup>	SCLK low to SS_B low (SCLK = 10 % of V <sub>CC</sub> to SS_B = 90 % of V <sub>CC</sub> )	[1] —	50	—	ns
t <sub>SSCLK</sub>	Serial interface timing <sup>[3]</sup>	SS_B high to SCLK high (SS_B = 90 % of V <sub>CC</sub> to SCLK = 90 % of V <sub>CC</sub> )	[1] —	50	—	ns
t <sub>LAT_SPI</sub>	Data latency		—	—	1	ns
<b>Signal chain</b>						
t <sub>SigChain</sub>	P <sub>ABS</sub> low-pass filter	Signal chain sample time	[4] —	48	—	μs
f <sub>c0</sub>		Cutoff frequency, filter option #0, 4-pole	[2] [4] —	800	—	Hz
f <sub>c1</sub>		Cutoff frequency, filter option #1, 4-pole	[2] [4] —	1000	—	Hz
t <sub>SigDelay</sub>	Signal delay (sinc filter to output delay, excluding the P <sub>ABS</sub> LPF)		[4] —	—	128	μs
t <sub>ST_INIT</sub>	P <sub>ABS</sub> startup common mode verification test time		[4] —	—	24	ms
t <sub>ST_CMCONT</sub>	P <sub>ABS</sub> continuous common mode verification response time P <sub>ABS</sub> error equivalent to 50 kPa		[4] —	—	4	s
t <sub>ST_Resp_1000_4</sub>	Self-test response time: self-test activation/deactivation to final value	LPF = 1000 Hz, 4-pole	[4] —	—	2.016	ms
t <sub>ST_FP_Resp</sub>	Fixed pattern response time: self-test activation/deactivation		[4] —	—	100	μs
f <sub>Package</sub>	Package resonance frequency		[4] 27.1	—	—	kHz
<b>Supply and support circuitry</b>						
t <sub>VCC_POR</sub>	Reset recovery (all modes, excluding V <sub>CC</sub> voltage ramp time)	V <sub>CC</sub> = V <sub>CCMIN</sub> to POR release	[2] —	—	1	ms
t <sub>POR_I2C/POR_SPI</sub>		POR to first SPI command	[4] 0.400	—	0.700	ms
t <sub>POR_DataValid</sub>		POR to sensor data valid	[4] —	—	6	ms
t <sub>RANGE_DataValid</sub>		DSP setting change to sensor data valid	[2] —	—	6	ms
t <sub>SOFT_RESET_I2C</sub>	Soft reset activation time, command complete to reset (no ACK follows)		[4] —	—	700	ns
t <sub>SOFT_RESET_SPI</sub>	Soft reset activation time, SS_B high to reset		[4] —	—	700	ns
t <sub>CC_POR</sub>	V <sub>CC</sub> undervoltage detection delay		[4] —	—	5	μs
t <sub>UVOV_RCV</sub>	Undervoltage/overvoltage recovery delay		[4] —	100	—	μs

- [1] Parameter verified by characterization.
- [2] Parameter verified by functional evaluation.
- [3] See [Section 7.5.6](#),  $C_{MISO} \leq 80$  pF,  $R_{MISO} \geq 10$  k $\Omega$
- [4] Functionality verified by modeling, simulation and/or design verification.

## 12 Media compatibility—pressure sensors only

For more information regarding media compatibility information, contact your local sales representative.

## 13 Pressure sensor accuracy (drift over temperature and life)

The absolute pressure accuracy is specified in [Figure 23](#) and [Figure 24](#).

[Figure 23](#) shows the absolute pressure drift over the entire specified temperature range. The absolute pressure drift over temperature is guaranteed by production testing.

[Figure 24](#) shows a multiplying factor that accounts for the life time drift of the pressure sensor. The results in [Figure 24](#) have been obtained by qualification testing to conform to the AEC-Q100<sup>[2]</sup> (Rev-H) standards.

As an example, at room temperature, the worst case drift that the pressure sensor might have after accounting for lifetime performance is (1 kPa × multiplying factor) = 2 kPa.

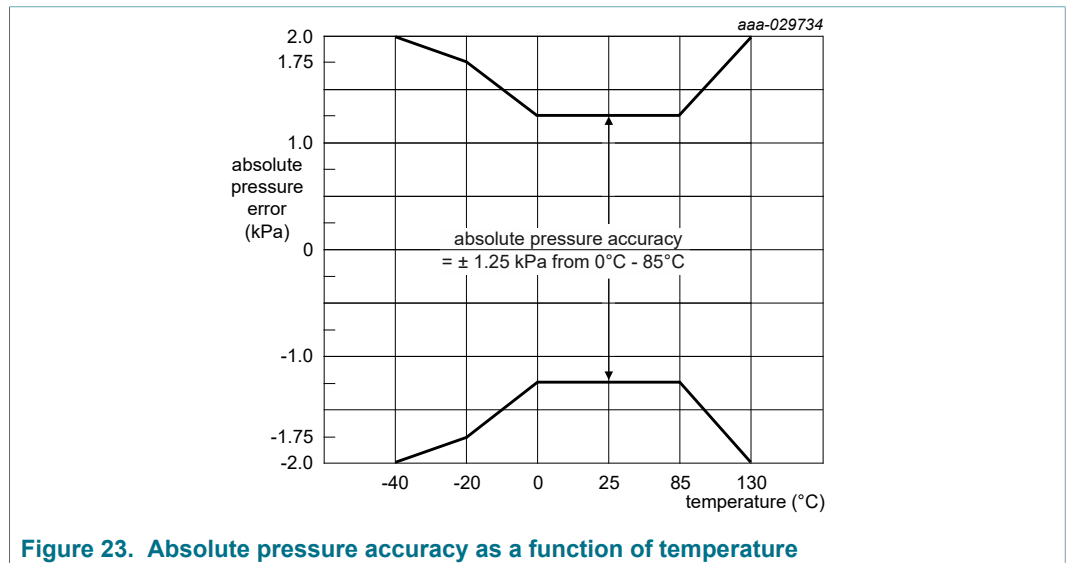


Figure 23. Absolute pressure accuracy as a function of temperature

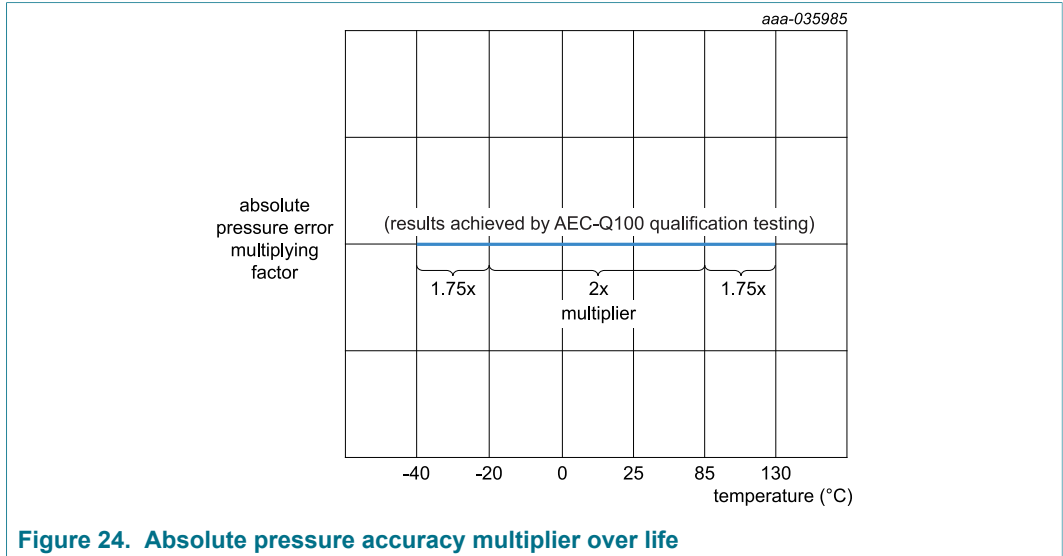


Figure 24. Absolute pressure accuracy multiplier over life

## 14 Application information

The FXPS7115D4 sensor can operate in two modes: I<sup>2</sup>C and SPI. The application diagrams in Figure 25 and Figure 26 show the modes and their respective biasing and bypass components.

The sensor can be configured to operate in SPI mode to read the user registers, self-test and diagnostics information. The application diagram in Figure 26 shows the SPI and the respective biasing and bypass components.

**Note:** A gel is used to provide media protection against corrosive elements which may otherwise damage metal bond wires and/or IC surfaces. Highly pressurized gas molecules may permeate through the gel and then occupy boundaries between material surfaces within the sensor package. When decompression occurs, the gas molecules may collect, form bubbles and possibly result in delamination of the gel from the material it protects. If a bubble is located on the pressure transducer surface or on the bond wires, the sensor measurement may shift from its calibrated transfer function. In some cases, these temporary shifts could be outside the tolerances listed in the data sheet. In rare cases, the bubble may bend the bond wires and result in a permanent shift.

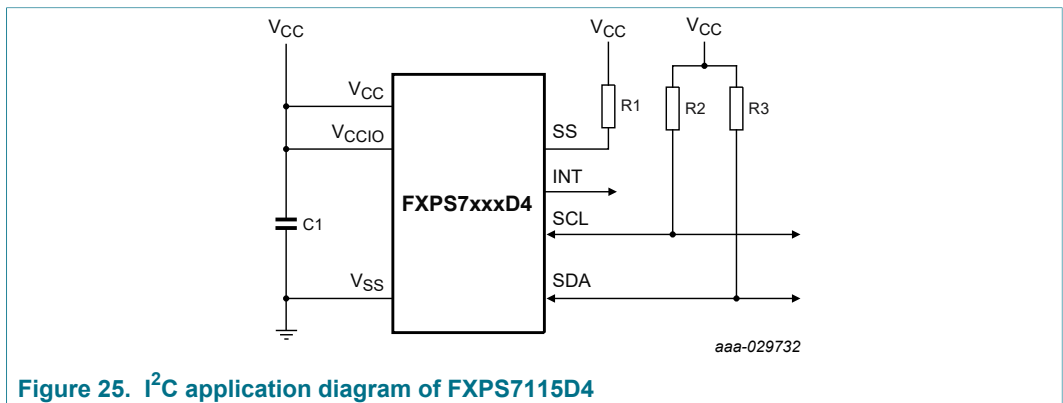
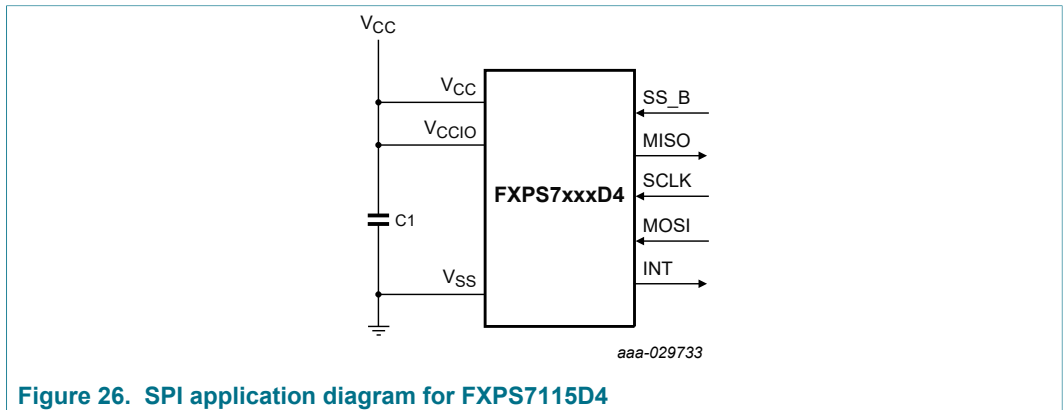


Figure 25. I<sup>2</sup>C application diagram of FXPS7115D4

**Table 106. External component recommendations for I<sup>2</sup>C**

Name	Type	Description	Purpose
C1	Ceramic	0.1 μF, 10 %, 10 V minimum, X7R	V <sub>CC</sub> power supply decoupling
R1	General purpose	1000 Ω, 5 %, 200 PPM	I <sup>2</sup> C selection pin pull-up resistor
R2	General purpose	1000 Ω, 5 %, 200 PPM	Serial clock pull-up resistor
R3	General purpose	1000 Ω, 5 %, 200 PPM	Serial data pull-up resistor

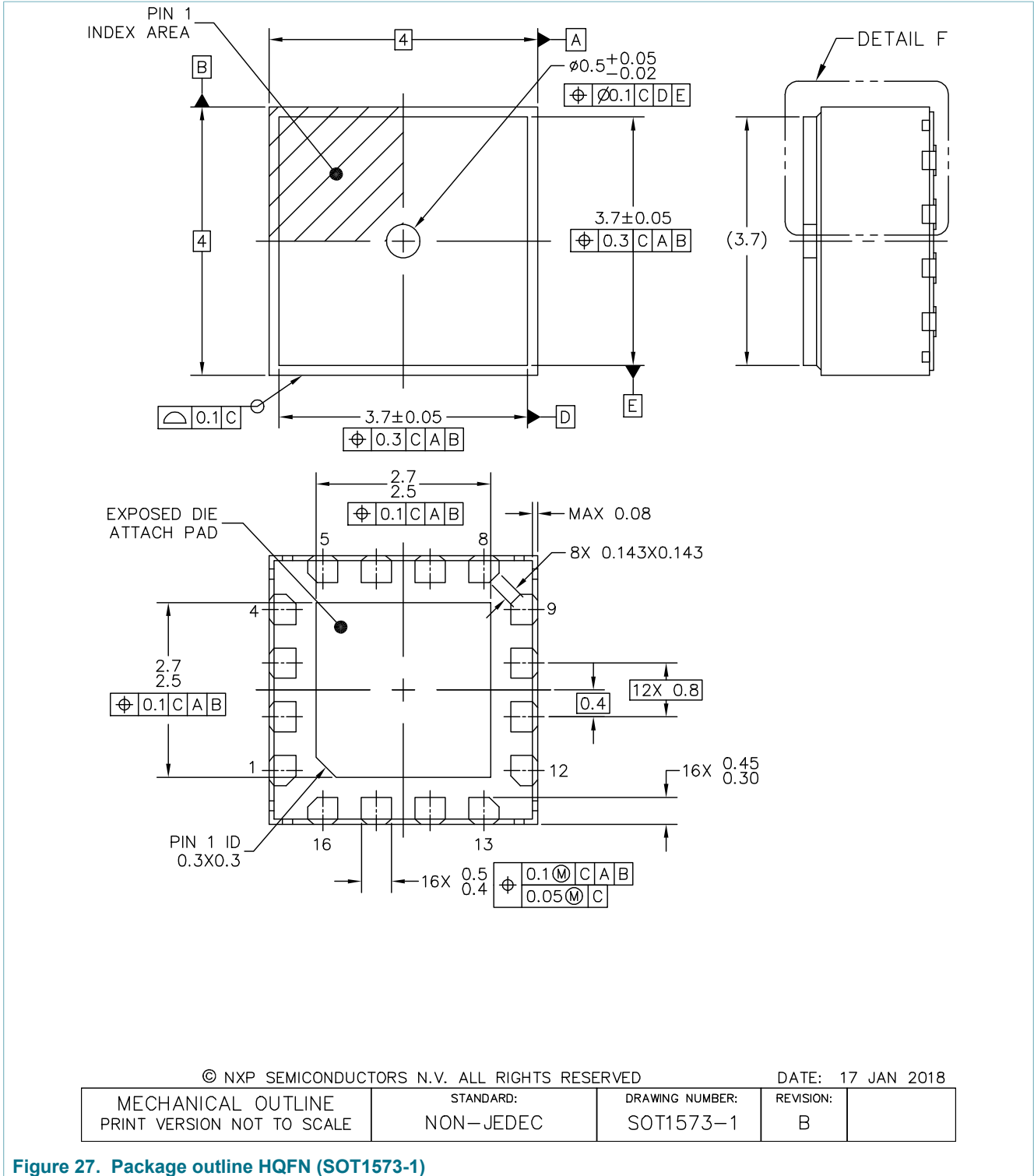


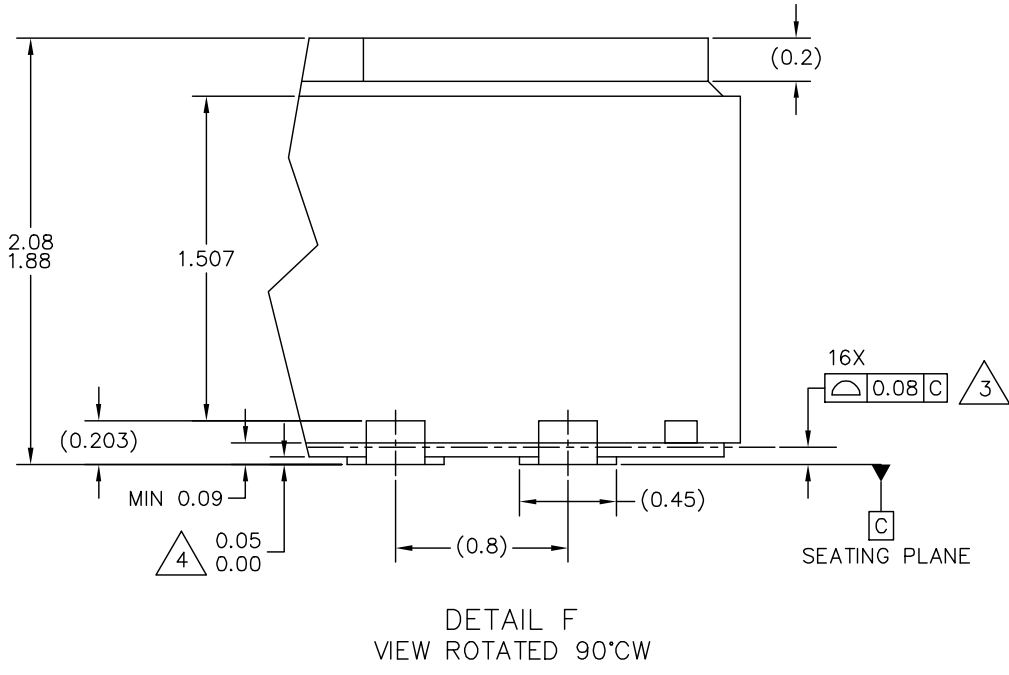
**Figure 26. SPI application diagram for FXPS7115D4**

**Table 107. External component recommendations for SPI**

Name	Type	Description	Purpose
C1	Ceramic	0.1 μF, 10 %, 10 V minimum, X7R	V <sub>CC</sub> power supply decoupling

**15 Package outline**





© NXP SEMICONDUCTORS N.V. ALL RIGHTS RESERVED

DATE: 17 JAN 2018

MECHANICAL OUTLINE PRINT VERSION NOT TO SCALE	STANDARD: NON-JEDEC	DRAWING NUMBER: SOT1573-1	REVISION: B	
--	------------------------	------------------------------	----------------	--

Figure 28. Package outline detail HQFN (SOT1573-1)

NOTES:

1. ALL DIMENSIONS ARE IN MILLIMETERS.
2. DIMENSIONING AND TOLERANCING PER ASME Y14.5M–1994.
3. COPLANARITY APPLIES TO LEADS AND DIE ATTACH PAD.
4. DIMENSION APPLIES ONLY FOR TERMINALS.
5. MIN METAL GAP SHOULD BE 0.2 MM.

© NXP SEMICONDUCTORS N.V. ALL RIGHTS RESERVED

DATE: 17 JAN 2018

MECHANICAL OUTLINE PRINT VERSION NOT TO SCALE	STANDARD: NON-JEDEC	DRAWING NUMBER: SOT1573-1	REVISION: B	
--	------------------------	------------------------------	----------------	--

**Figure 29. Package outline note HQFN (SOT1573-1)**



## 16 References

---

- [1] **Assembly guidelines for quad flat no-lead (HQFN) and small outline no-lead (SON) packages** — NXP Application Note (AN) 1902, Rev. 8.0 - 6 February 2018, 51 pages,  
<https://www.nxp.com/docs/en/application-note/AN1902.pdf>
- [2] **AEC documents on Automotive Electronics Council Component Technical Committee's site:**  
<http://www.aecouncil.com/AECDocuments.html>
- [3] **I<sup>2</sup>C-Bus specification and user manual** — NXP User Manual (UM) 10204, Rev. 6 - 4 April 2014, 64 pages,  
<https://www.nxp.com/docs/en/user-guide/UM10204.pdf>

## 17 Revision history

Table 108. Revision history

Document ID	Release date	Data sheet status	Change notice	Supersedes
FXPS7115D4 v.4	20200717	Product data sheet	—	FXPS7115D4 v.3
Modifications	<ul style="list-style-type: none"> <li>• Global: Performed the following global changes:                             <ul style="list-style-type: none"> <li>– Performed minor grammatical and typographic changes throughout.</li> <li>– Revised all register value formats from the format "\$xx" to the format "xxh" throughout to confirm to NXP standards.</li> </ul> </li> <li>• <a href="#">Section 6.1, Figure 2</a>, revised the pin 11 label in the image from "MISO" to "MISO/SDA" and revised the label for pin 9 from "SCLK" to "SCLK/SCL".</li> <li>• <a href="#">Section 7.2</a>, revised "...trimmed oscillator as specified in Table 102" to "...trimmed oscillator".</li> <li>• <a href="#">Section 7.3</a>: Removed the first subsection titled "Transducer".</li> <li>• <a href="#">Section 7.3.1.1, Figure 4</a>, revised "Write ST_CTRL= 0x1" to "Write ST_CTRL= 0x10".</li> <li>• <a href="#">Section 7.3.3, Figure 6</a>, revised "USER OFFSET..." to "OFFSET...".</li> <li>• <a href="#">Section 7.3.3.4, Table 7</a>, revised content in the "Data reading" column, revised the values in the PABSOFF<sub>LSB</sub>(LSB) and PABSOFF<sub>SENSE</sub>(LSB/kPa) columns and added a table title.</li> <li>• <a href="#">Section 7.5.5.2</a>: revised as follows:                             <ul style="list-style-type: none"> <li>– Renamed section title from "Error responses" to "Detailed status field".</li> <li>– Added new paragraph before <a href="#">Table 32</a>.</li> <li>– Revised the title of <a href="#">Table 32</a> from "Error responses bit field descriptions" to "Detailed status bit field descriptions".</li> </ul> </li> <li>• <a href="#">Section 7.6, Table 33</a>: revised as follows:                             <ul style="list-style-type: none"> <li>– Revised row 42h to "reserved" in bits 7, 4, 3, 2, 1, 0 and inserted "DATATYPE0[1:0]" in bits 6 and 5.</li> <li>– Revised row 43h, bit 3 from "A_OUT" to "reserved".</li> <li>– Revised row A0h, bits 7, 6, 5, and 4 from "DEV_RANGE[3:0]" to "reserved".</li> </ul> </li> <li>• <a href="#">Section 7.7.2.1, Table 36</a>, added "  OSCTRAIN_ERR" after "MISO_ERR" in the description for bit 5 and added "  CONT_ERR" after "INTREGF_ERR" in the description for bit 3.</li> <li>• <a href="#">Section 7.7.4, Table 45</a>, revised the last paragraph of the description for Bits "1 to 0" and moved this paragraph out of the description, inserting it after <a href="#">Table 46</a>.</li> <li>• <a href="#">Section 7.7.5</a>, revised step 2 from "Add a delay (Refer to appropriate Application Note for specific communication protocol for delay values)" to "Add a delay of minimum 50 μs."</li> <li>• <a href="#">Section 7.7.6, Table 52</a>, revised as follows:                             <ul style="list-style-type: none"> <li>– Revised "2 to 0" to "[2:0]" in the Bit column.</li> <li>– Replaced "(no internal self test, debug mode)" with "(No startup internal self test)" in the description for 000, 010 and 100.</li> </ul> </li> <li>• <a href="#">Section 7.7.7.1</a>, inserted new section including <a href="#">Table 55</a>.</li> <li>• <a href="#">Section 7.7.12.3</a> and <a href="#">Section 7.7.12.3.1</a>, added new sections.</li> <li>• <a href="#">Section 7.7.21</a>, Inserted new second paragraph beginning with "The values of P_Max and P_Min obtained...".</li> <li>• Removed the section titled "DSP_CFG_F Register" including the table titled "Range Indication Bits (RANGE[3:0])" following <a href="#">Section 7.7.22</a>.</li> <li>• <a href="#">Section 9, Table 103</a>, revised the footnote "Parameter tested 100 % at final test." to "Parameter tested at final test."</li> <li>• <a href="#">Section 10, Table 104</a>, revised as follows:                             <ul style="list-style-type: none"> <li>– I<sub>q</sub>: Removed "Quiescent" from the parameter description of .</li> <li>– PABS<sub>Peak</sub> and PABS<sub>RMS</sub>, revised the conditions.</li> <li>– Revised table footnote from "Parameter verified by parametric and functional validation" to "Parameter verified by functional validation".</li> </ul> </li> <li>• <a href="#">Section 11, Table 105</a>, added new rows for symbols T<sub>ST_INIT</sub>, t<sub>ST_CMCNT</sub>, t<sub>ST_Resp_1000_4</sub>, and t<sub>ST_FP_Resp</sub>.</li> </ul>			

Document ID	Release date	Data sheet status	Change notice	Supersedes
FXPS7115D4 v.3	20191205	Product data sheet	—	FXPS7115D4 v.2
FXPS7115D4 v.2	20190730	Product data sheet	—	FXPS7115D4 v.1
FXPS7115D4 v.1	20180816	Product data sheet	—	—

## 18 Legal information

### 18.1 Data sheet status

Document status <sup>[1][2]</sup>	Product status <sup>[3]</sup>	Definition
Objective [short] data sheet	Development	This document contains data from the objective specification for product development.
Preliminary [short] data sheet	Qualification	This document contains data from the preliminary specification.
Product [short] data sheet	Production	This document contains the product specification.

[1] Please consult the most recently issued document before initiating or completing a design.

[2] The term 'short data sheet' is explained in section "Definitions".

[3] The product status of device(s) described in this document may have changed since this document was published and may differ in case of multiple devices. The latest product status information is available on the Internet at URL <http://www.nxp.com>.

### 18.2 Definitions

**Draft** — A draft status on a document indicates that the content is still under internal review and subject to formal approval, which may result in modifications or additions. NXP Semiconductors does not give any representations or warranties as to the accuracy or completeness of information included in a draft version of a document and shall have no liability for the consequences of use of such information.

**Short data sheet** — A short data sheet is an extract from a full data sheet with the same product type number(s) and title. A short data sheet is intended for quick reference only and should not be relied upon to contain detailed and full information. For detailed and full information see the relevant full data sheet, which is available on request via the local NXP Semiconductors sales office. In case of any inconsistency or conflict with the short data sheet, the full data sheet shall prevail.

**Product specification** — The information and data provided in a Product data sheet shall define the specification of the product as agreed between NXP Semiconductors and its customer, unless NXP Semiconductors and customer have explicitly agreed otherwise in writing. In no event however, shall an agreement be valid in which the NXP Semiconductors product is deemed to offer functions and qualities beyond those described in the Product data sheet.

### 18.3 Disclaimers

**Limited warranty and liability** — Information in this document is believed to be accurate and reliable. However, NXP Semiconductors does not give any representations or warranties, expressed or implied, as to the accuracy or completeness of such information and shall have no liability for the consequences of use of such information. NXP Semiconductors takes no responsibility for the content in this document if provided by an information source outside of NXP Semiconductors. In no event shall NXP Semiconductors be liable for any indirect, incidental, punitive, special or consequential damages (including - without limitation - lost profits, lost savings, business interruption, costs related to the removal or replacement of any products or rework charges) whether or not such damages are based on tort (including negligence), warranty, breach of contract or any other legal theory. Notwithstanding any damages that customer might incur for any reason whatsoever, NXP Semiconductors' aggregate and cumulative liability towards customer for the products described herein shall be limited in accordance with the Terms and conditions of commercial sale of NXP Semiconductors.

**Right to make changes** — NXP Semiconductors reserves the right to make changes to information published in this document, including without limitation specifications and product descriptions, at any time and without

notice. This document supersedes and replaces all information supplied prior to the publication hereof.

**Applications** — Applications that are described herein for any of these products are for illustrative purposes only. NXP Semiconductors makes no representation or warranty that such applications will be suitable for the specified use without further testing or modification. Customers are responsible for the design and operation of their applications and products using NXP Semiconductors products, and NXP Semiconductors accepts no liability for any assistance with applications or customer product design. It is customer's sole responsibility to determine whether the NXP Semiconductors product is suitable and fit for the customer's applications and products planned, as well as for the planned application and use of customer's third party customer(s). Customers should provide appropriate design and operating safeguards to minimize the risks associated with their applications and products. NXP Semiconductors does not accept any liability related to any default, damage, costs or problem which is based on any weakness or default in the customer's applications or products, or the application or use by customer's third party customer(s). Customer is responsible for doing all necessary testing for the customer's applications and products using NXP Semiconductors products in order to avoid a default of the applications and the products or of the application or use by customer's third party customer(s). NXP does not accept any liability in this respect.

**Limiting values** — Stress above one or more limiting values (as defined in the Absolute Maximum Ratings System of IEC 60134) will cause permanent damage to the device. Limiting values are stress ratings only and (proper) operation of the device at these or any other conditions above those given in the Recommended operating conditions section (if present) or the Characteristics sections of this document is not warranted. Constant or repeated exposure to limiting values will permanently and irreversibly affect the quality and reliability of the device.

**Terms and conditions of commercial sale** — NXP Semiconductors products are sold subject to the general terms and conditions of commercial sale, as published at <http://www.nxp.com/profile/terms>, unless otherwise agreed in a valid written individual agreement. In case an individual agreement is concluded only the terms and conditions of the respective agreement shall apply. NXP Semiconductors hereby expressly objects to applying the customer's general terms and conditions with regard to the purchase of NXP Semiconductors products by customer.

**No offer to sell or license** — Nothing in this document may be interpreted or construed as an offer to sell products that is open for acceptance or the grant, conveyance or implication of any license under any copyrights, patents or other industrial or intellectual property rights.

**Suitability for use in automotive applications** — This NXP Semiconductors product has been qualified for use in automotive applications. Unless otherwise agreed in writing, the product is not designed, authorized or warranted to be suitable for use in life support, life-critical or safety-critical systems or equipment, nor in applications where failure or malfunction of an NXP Semiconductors product can reasonably be expected

to result in personal injury, death or severe property or environmental damage. NXP Semiconductors and its suppliers accept no liability for inclusion and/or use of NXP Semiconductors products in such equipment or applications and therefore such inclusion and/or use is at the customer's own risk.

**Export control** — This document as well as the item(s) described herein may be subject to export control regulations. Export might require a prior authorization from competent authorities.

**Translations** — A non-English (translated) version of a document is for reference only. The English version shall prevail in case of any discrepancy between the translated and English versions.

**Security** — While NXP Semiconductors has implemented advanced security features, all products may be subject to unidentified vulnerabilities.

Customers are responsible for the design and operation of their applications and products to reduce the effect of these vulnerabilities on customer's applications and products, and NXP Semiconductors accepts no liability for any vulnerability that is discovered. Customers should implement appropriate design and operating safeguards to minimize the risks associated with their applications and products.

## 18.4 Trademarks

Notice: All referenced brands, product names, service names and trademarks are the property of their respective owners.

**NXP** — wordmark and logo are trademarks of NXP B.V.

**Tables**

Tab. 1.	Ordering information .....	2	Tab. 38.	DEVSTAT1 - device status register (address 02h) bit description .....	32
Tab. 2.	Ordering options .....	2	Tab. 39.	DEVSTAT2 - device status register (address 03h) bit allocation .....	33
Tab. 3.	Pin description .....	4	Tab. 40.	DEVSTAT2 - device status register (address 03h) bit description .....	33
Tab. 4.	Self-test control register .....	7	Tab. 41.	DEVSTAT3 - device status register (address 04h) bit allocation .....	34
Tab. 5.	Self-test control bits for sense data fixed value verification .....	7	Tab. 42.	DEVSTAT3 - device status register (address 04h) bit description .....	34
Tab. 6.	IIR low pass filter coefficients .....	9	Tab. 43.	TEMPERATURE - temperature register (address 0Eh) bit allocation .....	35
Tab. 7.	Scaling parameters .....	12	Tab. 44.	DEVLOCK_WR - lock register writes register (address 10h) bit allocation .....	35
Tab. 8.	Temperature conversion variables .....	12	Tab. 45.	DEVLOCK_WR - lock register writes register (address 10h) bit description .....	35
Tab. 9.	Sensor data register read wrap-around description .....	17	Tab. 46.	Device reset command sequence .....	35
Tab. 10.	SPI command format .....	18	Tab. 47.	UF_REGION_W - UF region selection register (address 14h) bit allocation .....	36
Tab. 11.	SPI command bit allocation .....	19	Tab. 48.	UF_REGION_R - UF region selection register (address 15h) bit allocation .....	36
Tab. 12.	SPI response format .....	19	Tab. 49.	REGION_LOAD Bit Definitions .....	36
Tab. 13.	Register read command message format .....	20	Tab. 50.	REGION_ACTIVE Bit Definitions .....	37
Tab. 14.	Register read command message bit field descriptions .....	20	Tab. 51.	COMMTYPE - communication type register (address 16h) bit allocation .....	37
Tab. 15.	Register read response message format .....	20	Tab. 52.	COMMTYPE - communication type register (address 16h) bit description .....	38
Tab. 16.	Register read response message bit field descriptions .....	21	Tab. 53.	SOURCEID_0 - source identification register (address 1Ah) bit allocation .....	38
Tab. 17.	Register write command message format .....	21	Tab. 54.	SOURCEID_1 - source identification register (address 1Bh) bit allocation .....	38
Tab. 18.	Register write command message bit field descriptions .....	21	Tab. 55.	Source ID enable .....	38
Tab. 19.	Register write response message format .....	22	Tab. 56.	TIMING_CFG - communication timing register (address 22h) bit allocation .....	39
Tab. 20.	Register write response message bit field descriptions .....	22	Tab. 57.	SPI_CFG Register (address 3Dh) bit allocation .....	39
Tab. 21.	Sensor data request command message format .....	22	Tab. 58.	DATASIZE Bit Definition .....	39
Tab. 22.	Sensor data request command message bit field descriptions .....	22	Tab. 59.	SPI CRC Definition .....	40
Tab. 23.	Sensor data request response message format .....	23	Tab. 60.	WHO_AM_I - device identification register (address 3Eh) bit allocation .....	40
Tab. 24.	Sensor data request response message bit field descriptions .....	23	Tab. 61.	WHO_AM_I register values .....	40
Tab. 25.	Reserved command message format .....	23	Tab. 62.	I2C_ADDRESS - I2C slave address register (address 3Fh) bit allocation .....	40
Tab. 26.	Reserved command message bit field descriptions .....	23	Tab. 63.	Self-Test Control Bits (ST_CTRL[3:0]) .....	41
Tab. 27.	Reserved command response message format .....	23	Tab. 64.	DSP_CFG_U1 - DSP user configuration #1 register (address 40h) bit allocation .....	41
Tab. 28.	Reserved command response message bit field descriptions .....	24	Tab. 65.	Low-pass filter selection bits (LPF[3:0]) .....	42
Tab. 29.	SPI Command Message CRC .....	24	Tab. 66.	User range selection bits (USER_RANGE[1:0]) .....	42
Tab. 30.	SPI Response Message CRC .....	25	Tab. 67.	DSP_CFG_U3 - DSP user configuration #3 register (address 42h) bit allocation .....	42
Tab. 31.	Basic status field for responses to register commands .....	25	Tab. 68.	DATATYPE[1:0] .....	42
Tab. 32.	Detailed status bit field descriptions .....	25	Tab. 69.	DSP_CFG_U4 - DSP user configuration #4 register (address 43h) bit allocation .....	43
Tab. 33.	User-accessible data — sensor specific information .....	27	Tab. 70.	DSP_CFG_U4 - DSP user configuration #4 register (address 43h) bit description .....	43
Tab. 34.	COUNT - rolling counter register (address 00h) bit allocation .....	31			
Tab. 35.	DEVSTAT - device status register (address 01h) bit allocation .....	31			
Tab. 36.	DEVSTAT - device status register (address 01h) bit description .....	31			
Tab. 37.	DEVSTAT1 - device status register (address 02h) bit allocation .....	32			

Tab. 71.	DSP_CFG_U5 - DSP user configuration #5 register (address 44h) bit allocation ..... 43	Tab. 87.	IC MANUFACTURER REVISION REGISTER (ICREVID address C1h) bit allocation ..... 49
Tab. 72.	DSP_CFG_U5 - DSP user configuration #5 register (address 44h) bit description ..... 43	Tab. 88.	IC MANUFACTURER IDENTIFICATION REGISTER (ICMFGID address C2h) bit allocation ..... 49
Tab. 73.	Self-test control bits ..... 43	Tab. 89.	PN0 Register (address C4h) bit allocation ..... 50
Tab. 74.	INT_CFG - interrupt configuration register (address 45h) bit allocation ..... 44	Tab. 90.	PN1 Register (address C5h) bit allocation ..... 50
Tab. 75.	INT_CFG - interrupt configuration register (address 45h) bit description ..... 44	Tab. 91.	SN0 Register (address C6h) bit allocation ..... 50
Tab. 76.	P_INT_HI, P_INT_LO - interrupt window comparator threshold registers (address 46h to 49h) bit allocation ..... 45	Tab. 92.	SN1 Register (address C7h) bit allocation ..... 50
Tab. 77.	P_CAL_ZERO - pressure calibration registers (address 4Ch, 4Dh) bit allocation ..... 45	Tab. 93.	SN2 Register (address C8h) bit allocation ..... 50
Tab. 78.	DSP_STAT - DSP-specific status register (address 60h) bit allocation ..... 46	Tab. 94.	SN3 Register (address C9h) bit allocation ..... 51
Tab. 79.	DSP_STAT - DSP-specific status register (address 60h) bit description ..... 46	Tab. 95.	SN4 Register (address CAh) bit allocation ..... 51
Tab. 80.	DEVSTAT_COPY - device status copy register (address 61h) bit allocation ..... 46	Tab. 96.	ASICWFR# Register (address CBh) bit allocation ..... 51
Tab. 81.	SNSDATA0_L, SNSDATA0_H - sensor data #0 registers (addresses 62h, 63h) bit allocation ..... 47	Tab. 97.	ASICWFR_X Register (address CCh) bit allocation ..... 51
Tab. 82.	SNSDATA1_L, SNSDATA1_H - sensor data #1 registers (address 64h, 65h) bit allocation ..... 47	Tab. 98.	ASICWFR_Y Register (address CDh) bit allocation ..... 51
Tab. 83.	SNSDATA0_TIMEs - time stamp register (address 66h to 6Bh) bit allocation ..... 48	Tab. 99.	ASICWLOT_L Register (address D0h) bit allocation ..... 51
Tab. 84.	P_Max and P_Min registers (address 6Ch to 6Fh) bit allocation ..... 48	Tab. 100.	ASICWLOT_H Register (address D1h) bit allocation ..... 52
Tab. 85.	FRT - free running timer registers (addresses 78h to 7Dh) bit allocation ..... 49	Tab. 101.	Lock and CRC Register bit definitions ..... 52
Tab. 86.	IC TYPE REGISTER (ICTYPEID address C0h) bit allocation ..... 49	Tab. 102.	Maximum ratings ..... 54
		Tab. 103.	Electrical characteristics — supply and I/O ..... 55
		Tab. 104.	Static characteristics ..... 55
		Tab. 105.	Dynamic characteristics ..... 56
		Tab. 106.	External component recommendations for I2C ..... 61
		Tab. 107.	External component recommendations for SPI ..... 61
		Tab. 108.	Revision history ..... 66

**Figures**

Fig. 1.	Block diagram of FXPS7115D4 ..... 3	Fig. 16.	I2C byte transmissions ..... 14
Fig. 2.	Pin configuration for 16-pin HQFN ..... 3	Fig. 17.	I2C acknowledge and not acknowledge transmission ..... 15
Fig. 3.	Voltage regulation and monitoring ..... 5	Fig. 18.	I2C stop condition ..... 15
Fig. 4.	User-controlled PABS common mode self-test flowchart ..... 6	Fig. 19.	I2C timing diagram ..... 17
Fig. 5.	$\Sigma\Delta$ converter block diagram ..... 8	Fig. 20.	Standard 32 Bit SPI protocol timing diagram ... 18
Fig. 6.	Signal chain diagram ..... 8	Fig. 21.	SPI data output verification ..... 26
Fig. 7.	Sinc filter response ..... 9	Fig. 22.	SPI timing diagram ..... 27
Fig. 8.	800 Hz, 4-pole, low-pass filter response ..... 10	Fig. 23.	Absolute pressure accuracy as a function of temperature ..... 59
Fig. 9.	800 Hz, 4-pole output signal delay ..... 10	Fig. 24.	Absolute pressure accuracy multiplier over life ..... 60
Fig. 10.	1000 Hz, 4-pole, low-pass filter response ..... 11	Fig. 25.	I2C application diagram of FXPS7115D4 ..... 60
Fig. 11.	1000 Hz, 4-pole output signal delay ..... 11	Fig. 26.	SPI application diagram for FXPS7115D4 ..... 61
Fig. 12.	Temperature sensor signal chain block diagram ..... 12	Fig. 27.	Package outline HQFN (SOT1573-1) ..... 62
Fig. 13.	Common mode error detection signal chain block diagram ..... 13	Fig. 28.	Package outline detail HQFN (SOT1573-1) ... 63
Fig. 14.	I2C bit transmissions ..... 13	Fig. 29.	Package outline note HQFN (SOT1573-1) ..... 64
Fig. 15.	I2C start condition ..... 13		



**Contents**

<b>1</b>	<b>General description</b>	<b>1</b>	7.5.5.2	Detailed status field	25
<b>2</b>	<b>Features and benefits</b>	<b>1</b>	7.5.5.3	SPI error	25
<b>3</b>	<b>Applications</b>	<b>2</b>	7.5.5.4	SPI data output verification error	26
3.1	Automotive	2	7.5.6	SPI timing diagram	27
3.2	Industrial	2	7.6	User-accessible data array	27
3.3	Medical/Consumer	2	7.7	Register information	31
<b>4</b>	<b>Ordering information</b>	<b>2</b>	7.7.1	COUNT - rolling counter register (address 00h)	31
4.1	Ordering options	2	7.7.2	Device status registers	31
<b>5</b>	<b>Block diagram</b>	<b>3</b>	7.7.2.1	DEVSTAT - device status register (address 01h)	31
<b>6</b>	<b>Pinning information</b>	<b>3</b>	7.7.2.2	DEVSTAT1 - device status register (address 02h)	32
6.1	Pinning	3	7.7.2.3	DEVSTAT2 - device status register (address 03h)	33
6.2	Pin description	4	7.7.2.4	DEVSTAT3 - device status register (address 04h)	34
<b>7</b>	<b>Functional description</b>	<b>4</b>	7.7.3	TEMPERATURE - temperature register (address 0Eh)	34
7.1	Voltage regulators	4	7.7.4	DEVLOCK_WR - lock register writes register (address 10h)	35
7.1.1	VCC, VREG, VREGA, undervoltage monitor	5	7.7.5	UF_REGION_W, UF_REGION_R - UF region selection registers (address 14h, 15h)	36
7.2	Internal oscillator	5	7.7.6	COMMTYPE - communication type register (address 16h)	37
7.3	Pressure sensor signal path	5	7.7.7	SOURCEID_x - source identification registers (address 1Ah, 1Bh)	38
7.3.1	Self-test functions	5	7.7.7.1	Data source enable bits (SIDx_EN)	38
7.3.1.1	PABS common mode verification	6	7.7.8	TIMING_CFG - communication timing register (address 22h)	39
7.3.1.2	Startup digital self-test verification	7	7.7.9	SPI Configuration Control Register (SPI_CFG, Address 3Dh)	39
7.3.1.3	Startup sense data fixed value verification	7	7.7.9.1	SPI Data Field Size (DATASIZE)	39
7.3.2	$\Sigma\Delta$ converter	7	7.7.9.2	SPI CRC Length and Seed Bits	39
7.3.3	Digital signal processor (DSP)	8	7.7.10	WHO_AM_I - who am I register (address 3Eh)	40
7.3.3.1	Decimation sinc filter	8	7.7.11	I2C_ADDRESS - I2C slave address register (address 3Fh)	40
7.3.3.2	Signal trim and compensation	9	7.7.12	DSP Configuration Registers (DSP_CFG_Ux)	41
7.3.3.3	Low-pass filter	9	7.7.12.1	Self-test control bits	41
7.3.3.4	Absolute pressure output data scaling equation	11	7.7.12.2	DSP_CFG_U1 - DSP user configuration #1 register (address 40h)	41
7.3.4	Temperature sensor	12	7.7.12.3	DSP_CFG_U3 - DSP user configuration #3 register (address 42h)	42
7.3.4.1	Temperature sensor signal chain	12	7.7.12.4	DSP_CFG_U4 - DSP user configuration #4 register (address 43h)	43
7.3.4.2	Temperature sensor output scaling equation	12	7.7.12.5	DSP_CFG_U5 - DSP user configuration #5 register (address 44h)	43
7.3.5	Common mode error detection signal chain	12	7.7.13	INT_CFG - interrupt configuration register (address 45h)	44
7.4	Inter-integrated circuit (I2C) interface	13	7.7.14	P_INT_HI, P_INT_LO - interrupt window comparator threshold registers (address 46h to 49h)	44
7.4.1	I2C bit transmissions	13	7.7.15	P_CAL_ZERO - pressure calibration registers (address 4Ch, 4Dh)	45
7.4.2	I2C start condition	13			
7.4.3	I2C byte transmission	14			
7.4.4	I2C acknowledge and not acknowledge transmissions	14			
7.4.5	I2C stop condition	15			
7.4.6	I2C register transfers	15			
7.4.6.1	Register write transfers	15			
7.4.6.2	Register read transfers	16			
7.4.6.3	Sensor data register read wrap around	16			
7.4.7	I2C timing diagram	17			
7.5	Standard 32-bit SPI protocol	17			
7.5.1	SPI command format	18			
7.5.2	SPI response format	19			
7.5.3	Command summary	20			
7.5.3.1	Register read command	20			
7.5.3.2	Register write command	21			
7.5.3.3	Sensor data request commands	22			
7.5.3.4	Reserved commands	23			
7.5.4	Error checking	24			
7.5.4.1	Default 8-bit CRC	24			
7.5.5	Exception handling	25			
7.5.5.1	Basic status field	25			



7.7.16	DSP_STAT - DSP-specific status register (address 60h) .....	46
7.7.17	DEVSTAT_COPY - device status copy register (address 61h) .....	46
7.7.18	SNSDATA0_L, SNSDATA0_H - sensor data #0 registers (address 62h, 63h) .....	47
7.7.19	SNSDATA1_L, SNSDATA1_H - sensor data #1 registers (address 64h, 65h) .....	47
7.7.20	SNSDATA0_TIME <sub>x</sub> - time stamp registers (address 66h to 6Bh) .....	47
7.7.21	P_MAX, P_MIN - maximum and minimum absolute pressure value registers (address 6Ch to 6Fh) .....	48
7.7.22	FRT - free running timer registers (addresses 78h to 7Dh) .....	48
7.7.23	IC type register (Address C0h) .....	49
7.7.24	IC manufacturer revision register (Address C1h) .....	49
7.7.25	IC manufacturer identification register (address C2h) .....	49
7.7.26	Part number register (address C4h, C5h) .....	50
7.7.27	Device serial number registers .....	50
7.7.28	ASIC wafer ID registers .....	51
7.7.29	USERDATA_0 to USERDATA_E - user data registers .....	52
7.7.30	USERDATA_10 to USERDATA_1E - user data registers .....	52
7.7.31	Lock and CRC Registers .....	52
7.7.32	Reserved registers .....	52
7.7.33	Invalid register addresses .....	53
7.8	Read/write register array CRC verification .....	53
<b>8</b>	<b>Maximum ratings .....</b>	<b>54</b>
<b>9</b>	<b>Operating range .....</b>	<b>55</b>
<b>10</b>	<b>Static characteristics .....</b>	<b>55</b>
<b>11</b>	<b>Dynamic characteristics .....</b>	<b>56</b>
<b>12</b>	<b>Media compatibility—pressure sensors only .....</b>	<b>59</b>
<b>13</b>	<b>Pressure sensor accuracy (drift over temperature and life) .....</b>	<b>59</b>
<b>14</b>	<b>Application information .....</b>	<b>60</b>
<b>15</b>	<b>Package outline .....</b>	<b>62</b>
<b>16</b>	<b>References .....</b>	<b>65</b>
<b>17</b>	<b>Revision history .....</b>	<b>66</b>
<b>18</b>	<b>Legal information .....</b>	<b>68</b>

Please be aware that important notices concerning this document and the product(s) described herein, have been included in section 'Legal information'.

© NXP B.V. 2020.

All rights reserved.

For more information, please visit: <http://www.nxp.com>

For sales office addresses, please send an email to: [salesaddresses@nxp.com](mailto:salesaddresses@nxp.com)

Date of release: 17 July 2020  
Document identifier: FXPS7115D4