

PowerPC™

Advance Information PowerPC 604™ RISC Microprocessor Hardware Specifications

The PowerPC 604 microprocessor is an implementation of the PowerPC™ family of reduced instruction set computer (RISC) microprocessors. This document contains pertinent physical characteristics of the 604. For information about the functionality of the 604, refer to the *PowerPC 604 RISC Microprocessor Users Manual*.

This document contains the following topics:

Topic	Page
Section 1.1, "General Parameters"	2
Section 1.2, "Electrical and Thermal Characteristics"	2
Section 1.3, "AC Electrical Characteristics"	3
Section 1.4, "PowerPC 604 Microprocessor Pin Assignments"	11
Section 1.5, "PowerPC 604 Microprocessor Pinout Listings"	14
Section 1.6, "PowerPC 604 Microprocessor Package Description"	19
Section 1.7, "System Design Information"	25
Section 1.8, "Thermal Management Information"	27
Section 1.9, "Ordering Information"	30

In this document, the term "604" is used as an abbreviation for the phrase "PowerPC 604 microprocessor." The PowerPC 604 microprocessors are available from IBM as PPC604 and from Motorola as MPC604.

The PowerPC name, the PowerPC logotype, and PowerPC 604 are trademarks of International Business Machines Corporation. FLOTHERM is a registered trademark of Flomerics Ltd., UK. This document contains information on a new product under development by Motorola and IBM. Motorola and IBM reserve the right to change or discontinue this product without notice.

© Motorola Inc. 1995
Portions hereof © International Business Machines Corp. 1991–1995. All rights reserved.



1.1 General Parameters

Technology	0.5 μm CMOS, four-layer metal
Chip size	196 mm ² , 12.4 mm x 15.8 mm
Packages	Surface-mount 304-pin C4-CQFP Surface-mount 255-lead ceramic ball grid array (BGA)
Voltage	3.3 V \pm 5%
Maximum power dissipation	24 W @ 133 MHz 19 W @ 100 MHz

1.2 Electrical and Thermal Characteristics

This section provides both the AC and DC electrical specifications and thermal characteristics for the 604. The following specifications are preliminary and subject to change without notice. For the most recent specifications, contact your local Motorola or IBM sales office.

1.2.1 DC Electrical Characteristics

Table 1 and Table 2 provide the absolute maximum rating and thermal characteristics for the 604.

Table 1. PowerPC 604 Microprocessor Absolute Maximum Ratings

Characteristic	Symbol	Value	Unit
Supply voltage	V _{dd}	-0.3 to 3.6	V
Input voltage	V _{in}	-0.3 to 5.5	V
Storage temperature range	T _{stg}	-55 to 150	°C

Notes:

1. Functional operating conditions are given in DC electrical specifications. Absolute maximum ratings are stress ratings only, and functional operation at the maximums is not guaranteed. Stresses beyond those listed may affect device reliability or cause permanent damage to the device.
2. **Caution:** Input voltage must not be greater than the supply voltage by more than 2.5 V during power-on reset.

Table 2. PowerPC 604 Microprocessor Thermal Characteristics

Characteristic	Symbol	Value	Rating
C4-CQFP package thermal resistance, junction-to-case	θ_{JC}	0.03	°C/W
BGA package thermal resistance, junction-to-case	θ_{JC}	0.03	°C/W

Notes:

1. For the BGA package, the θ_{JC} measurement is made from die junction to the back of the bare silicon die.
2. The junction temperature of the chip is a function of several parameters including θ_{JC} . Please refer to Section 1.8, "Thermal Management Information," for additional details.

Table 3 provides the DC electrical characteristics for the 604.

Table 3. PowerPC 604 Microprocessor DC Electrical Specifications

V_{dd} = 3.3 ± 5% V dc, GND = 0 V dc, 0 ≤ T_j ≤ 105 °C, Input capacitance = 10 pF maximum

Characteristic	Symbol	Min	Max	Unit
Input high voltage (all inputs except SYSCLK)	V _{IH}	2	5.5	V
Input low voltage (all inputs except SYSCLK)	V _{IL}	0	0.8	V
SYSCLK input high voltage	CV _{IH}	2.4	5.5	V
SYSCLK input low voltage	CV _{IL}	0	0.4	V
Output high voltage, I _{OH} = -9 mA	V _{OH}	2.4	—	V
Output low voltage, I _{OL} = 9 mA	V _{OL}	—	0.4	V

Table 4 provides the power dissipation numbers for the 604.

Table 4. PowerPC 604 Microprocessor Power Dissipation

	Processor Core Frequency			Unit	Notes
	100 MHz	120 MHz	133 MHz		
Full-On Mode					1
Typical	14.5	17.0	18.5	W	2
Maximum	19.0	22.5	24.0	W	3

Notes:

1. Power measured does not include power dissipated in output drivers.
2. Typical power is an average value measured at 3.3 V in a system executing typical applications and benchmark sequences. Typical power numbers should be used in planning for proper thermal management.
3. Maximum power is measured at 3.3 V using a worst case instruction mix. These values should be used for power supply design.

1.3 AC Electrical Characteristics

This section provides the AC electrical characteristics for the 604. These specifications are for parts that operate at processor core frequencies of 100, 120, and 133 MHz. The processor core frequency is determined by the bus (SYSCLK) frequency and the settings of the PLL_CFG0-PLL_CFG3 pins. All timings are specified relative to the SYSCLK.

1.3.1 Clock AC Specifications

Table 5 provides the clock AC timing specifications as defined in Figure 1.

Table 5. PowerPC 604 Microprocessor Clock AC Timing Specifications

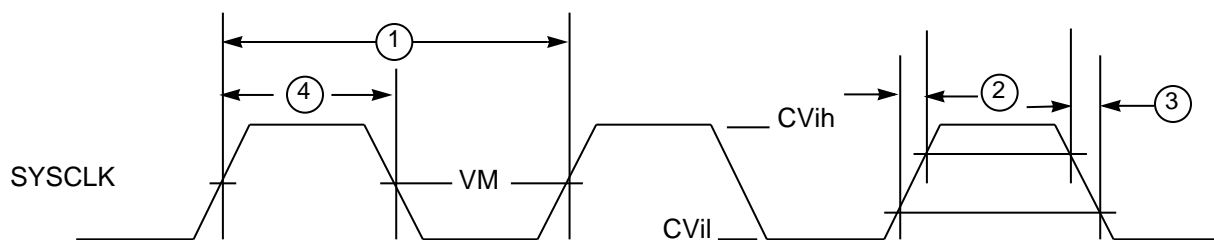
V_{dd} = 3.3 ± 5% V dc, GND = 0 V dc, 0 ≤ T_j ≤ 105 °C

Num	Characteristic	100 MHz		120 MHz		133 MHz		Unit	Notes
		Min	Max	Min	Max	Min	Max		
	Frequency of operation	50	100.0	60.0	120.0	66.67	133.3	MHz	1
	Frequency of VCO	180	360	180	360	180	360	MHz	2
	SYSClk frequency	16.67	66.67	20.0	66.67	22.2	66.67	MHz	3
1	SYSClk cycle time	15.0	60.0	15.0	50.0	15.0	45.0	ns	
2,3	SYSClk rise and fall time	1.0	2.0	1.0	2.0	1.0	2.0	ns	4
4	SYSClk duty cycle measured at 1.4 V	40	60	40	60	40	60	%	
5	SYSClk jitter	—	±150	—	±150	—	±150	ps	5
6	Internal PLL relock time	—	100	—	100	—	100	μs	6, 7

Notes:

1. Times shown in specifications are only valid for the range of processor core frequencies specified.
2. **Caution:** The SYSClk frequency and PLL_CFG0–PLL_CFG3 settings must be chosen such that the resulting CPU (core) frequency and PLL (VCO) frequency do not exceed their respective maximum or minimum operating frequencies.
3. AC timing specifications are tested up to the maximum SYSClk (bus) frequency shown in Table 5. However, it is theoretically possible to attain higher SYSClk frequencies if allowed for by system design.
4. Rise and fall times for the SYSClk input are measured from 0.4 V to 2.4 V.
5. This number refers to cycle-to-cycle jitter.
6. PLL relock time is the maximum amount of time required for PLL lock after a stable V_{dd} and SYSClk are reached during the power-on reset sequence. Also note that HRESET must be held asserted for a minimum of 255 bus clocks after the PLL relock time (100 μs) during the power-on reset sequence.
7. Relock timing is guaranteed by design and is not tested.

Figure 1 provides the SYSClk input timing diagram.



VM = Midpoint Voltage (1.4 V)

Figure 1. SYSClk Input Timing Diagram

1.3.2 Input AC Specifications

Table 6 provides the input AC timing specifications for the 604 as defined in Figure 2.

Table 6. PowerPC 604 Microprocessor Input AC Timing Specifications

V_{dd} = 3.3 ± 5% V dc, GND = 0 V dc, 0 ≤ T_j ≤ 105 °C

Num	Characteristic	100 MHz		120 MHz		133 MHz		Unit	Notes
		Min	Max	Min	Max	Min	Max		
7	ARTRY, SHD, ABB, TS, XATS, AACK, BG, DRTRY, TA, DBG, DBB, TEA, DBDIS, and DBW \bar{O} valid to SYSCLK (setup)	5.5	—	5.0	—	5.0	—	ns	
8	All other inputs valid to SYSCLK (setup)	5.5	—	4.0	—	4.0	—	ns	1
9	SYSCLK to all inputs invalid (hold)	0	—	0	—	0	—	ns	1
10	Mode select input valid to $\overline{\text{HRESET}}$ (input setup for DRTRY)	8 * t _{sysclk}	—	8 * t _{sysclk}	—	8 * t _{sysclk}	—	ns	2,3,4,5
11	$\overline{\text{HRESET}}$ to mode select input invalid (input hold for DRTRY)	0	—	0	—	0	—	ns	2,3,4,5

Notes:

1. All other input signals include the following signals—all inputs except ARTRY, SHD, ABB, TS, XATS, AACK, BG, DRTRY, TA, DBG, DBB, DBW \bar{O} , DBDIS, TEA, and JTAG inputs.
2. The setup and hold time is with respect to the rising edge of HRESET (see Figure 3).
3. t_{sysclk} is the period of the external clock (SYSCLK) in nanoseconds.
4. These values are guaranteed by design, and are not tested.
5. Note this is for configuration of the fast-L2 mode. The DRTRY signal must be held negated during fast-L2 mode.

Figure 2 provides the input timing diagram for the 604.

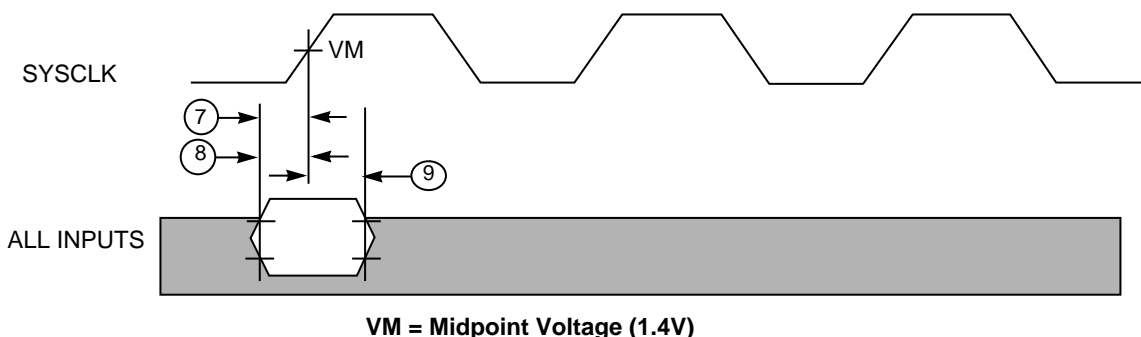


Figure 2. PowerPC 604 Microprocessor Input Timing Diagram

Figure 3 provides the timing diagram for the fast-L2 mode select input.

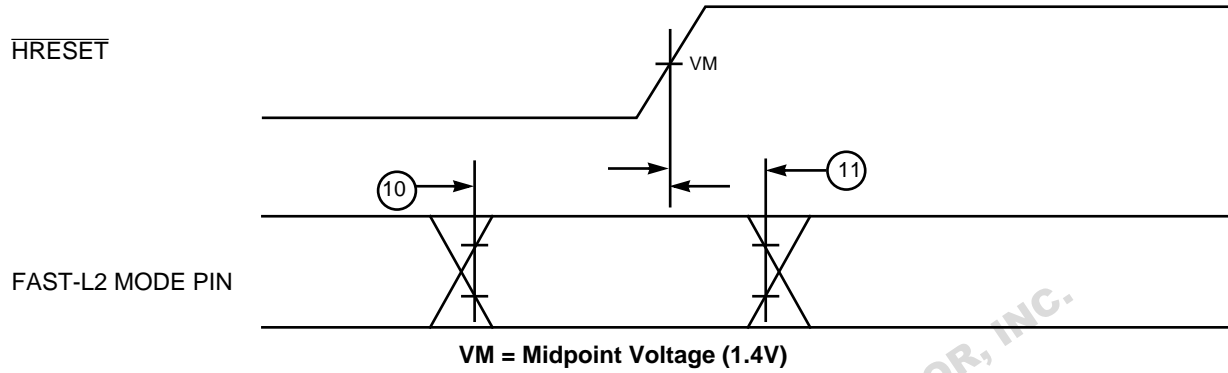


Figure 3. Fast-L2 Mode Select Input Timing Diagram

1.3.3 Output AC Specifications

Table 7 provides the output AC timing specifications for the 604 (shown in Figure 4).

Table 7. PowerPC 604 Microprocessor Output AC Timing Specifications

V_{dd} = 3.3 ± 5% V dc, GND = 0 V dc, C_L = 50 pF, 0 ≤ T_j ≤ 105 °C

Num	Characteristic	100 MHz		120 MHz		133 MHz		Unit	Notes
		Min	Max	Min	Max	Min	Max		
12	SYSCLK to output driven (output enable time)	0.75	—	0.75	—	0.75	—	ns	1
13a	SYSCLK to \overline{TS} , \overline{XATS} , \overline{ARTRY} , \overline{SHD} , \overline{ABB} , and \overline{DBB} output valid (for 5.5 V to 0.8 V)	—	8.5	—	7.5	—	7.0	ns	2
13b	SYSCLK to \overline{TS} , \overline{XATS} , \overline{ARTRY} , \overline{SHD} , \overline{ABB} , and \overline{DBB} output valid (for 3.6 V to 0.8 V)	—	7.5	—	6.5	—	6.0	ns	
14a	SYSCLK to all other signals output valid (for 5.5 V to 0.8 V)	—	8.5	—	7.5	—	7.0	ns	2
14b	SYSCLK to all other signals output valid (for 3.6 V to 0.8 V)	—	7.5	—	6.5	—	6.0	ns	
15	SYSCLK to output invalid (output hold)	1.0	—	1.0	—	1.0	—	ns	
16	SYSCLK to output high impedance (all signals except \overline{ARTRY} , \overline{SHD} , \overline{ABB} , \overline{DBB} , \overline{TS} , and \overline{XATS})	—	7.0	—	6.5	—	6.0	ns	
17	SYSCLK to output high impedance \overline{TS} , \overline{XATS}	—	7.0	—	6.5	—	6.0	ns	
18	SYSCLK to \overline{ABB} and \overline{DBB} high impedance after precharge	—	1.0* t _{sysclk}	—	1.0* t _{sysclk}	—	1.0* t _{sysclk}	ns	3
19	SYSCLK to \overline{ARTRY} and \overline{SHD} high impedance before precharge	—	7.0	—	6.5	—	6.0	ns	

Table 7. PowerPC 604 Microprocessor Output AC Timing Specifications (Continued)

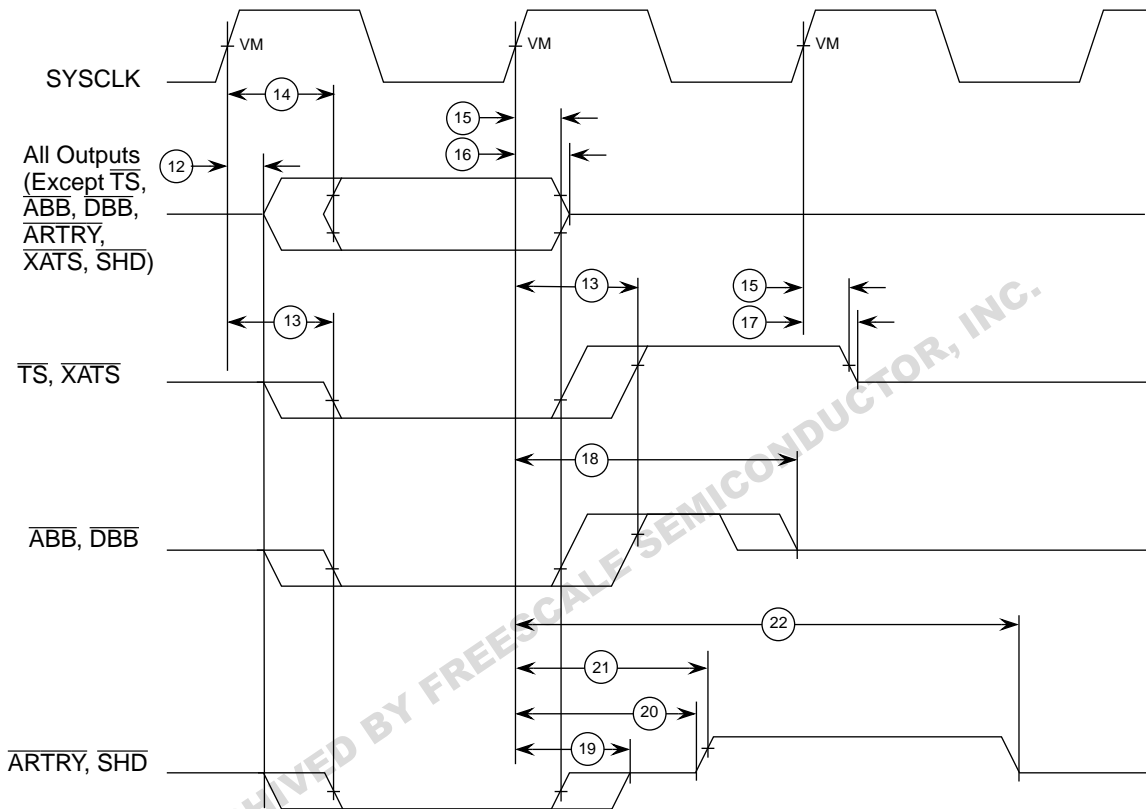
V_{dd} = 3.3 ± 5% V dc, GND = 0 V dc, C_L = 50 pF, 0 ≤ T_j ≤ 105 °C

Num	Characteristic	100 MHz		120 MHz		133 MHz		Unit	Notes
		Min	Max	Min	Max	Min	Max		
20	SYSCLK to $\overline{\text{ARTRY}}$ and $\overline{\text{SHD}}$ precharge enable	—	0.5* t_{sysclk} +	—	0.5* t_{sysclk} +	—	0.5* t_{sysclk} +	ns	3
21	Maximum delay to $\overline{\text{ARTRY}}$ and $\overline{\text{SHD}}$ precharge	—	1.5* t_{sysclk}	—	1.5* t_{sysclk}	—	1.5* t_{sysclk}	ns	3
22	SYSCLK to $\overline{\text{ARTRY}}$ and $\overline{\text{SHD}}$ high impedance after precharge	—	2.0* t_{sysclk}	—	2.0* t_{sysclk}	—	2.0* t_{sysclk}	ns	3
	Rise time ($\overline{\text{ARTRY}}$, $\overline{\text{SHD}}$, $\overline{\text{ABB}}$, $\overline{\text{DBB}}$, $\overline{\text{TS}}$, and $\overline{\text{XATS}}$)	1.0		1.0		1.0		ns	4
	Rise time (all signals except $\overline{\text{ARTRY}}$, $\overline{\text{SHD}}$, $\overline{\text{ABB}}$, $\overline{\text{DBB}}$, $\overline{\text{TS}}$, and $\overline{\text{XATS}}$)	1.0		1.0		1.0		ns	4
	Fall time ($\overline{\text{ARTRY}}$, $\overline{\text{SHD}}$, $\overline{\text{ABB}}$, $\overline{\text{DBB}}$, $\overline{\text{TS}}$, and $\overline{\text{XATS}}$)	1.0		1.0		1.0		ns	4
	Fall time (all signals except $\overline{\text{ARTRY}}$, $\overline{\text{SHD}}$, $\overline{\text{ABB}}$, $\overline{\text{DBB}}$, $\overline{\text{TS}}$, and $\overline{\text{XATS}}$)	1.0		1.0		1.0		ns	4

Notes:

1. These values are guaranteed by design, and are not tested.
2. SYSCLK to output valid (5.5 V to 0.8 V) includes the extra delay associated with discharging the external voltage from 5.5 V to 0.8 V instead of from 3.6 V to 0.8 V (5-V CMOS levels instead of 3.3-V CMOS levels).
3. t_{sysclk} is the period of the external bus clock (SYSCLK) in nanoseconds (ns). When the unit is given as t_{sysclk} the numbers given in the table must be multiplied by the period of SYSCLK to compute the actual time duration (in nanoseconds) of the parameter in question.
4. These specifications are nominal values.

Figure 4 provides the output timing diagram for the 604.



Notes: VM = Midpoint voltage (1.4 V)
 All output specifications are measured from 0.8 V or 2.0 V of the signal in question to the 1.4 V of the rising edge of the input SYSCLK.

Figure 4. PowerPC 604 Microprocessor Output Timing Diagram

The output specifications of the 604 for both driving high and driving low depend on the capacitive loading on each output and the drive capability enabled for that output. Additionally, the timing specifications for outputs driving low also depend on the voltage swing required to drive to 0.8 V (either 5.5 V to 0.8 V or 3.6 V to 0.8 V). Table 7 provides the output AC timing specifications for a 50 pF load. In order to derive the actual timing specifications for a given set of conditions, it is recommended that IBIS simulation models be used. Contact the local Motorola or IBM sales office for information on the availability of these models.

1.3.4 JTAG AC Timing Specifications

Table 8 provides the JTAG AC timing specifications.

Table 8. JTAG AC Timing Specifications (Independent of SYSCLK)

Num	Characteristic	Min	Max	Unit	Notes
	TCK frequency of operation	0	16	MHz	
1	TCK cycle time	62.5	—	ns	
2	TCK clock pulse width measured at 1.5 V	25	—	ns	
3	TCK rise and fall times	0	3	ns	
4	$\overline{\text{TRST}}$ setup time to TCK rising edge	13	—	ns	2
5	$\overline{\text{TRST}}$ assert time	40	—	ns	
6	Boundary-scan input data setup time	0	—	ns	
7	Boundary-scan input data hold time	27	—	ns	
8	TCK to output data valid	4	35	ns	
9	TCK to output high impedance	3	24	ns	
10	TMS, TDI data setup time	0	—	ns	
11	TMS, TDI data hold time	25	—	ns	
12	TCK to TDO data valid	4	24	ns	1
13	TCK to TDO high impedance	3	15	ns	1

Notes:

1. Load capacitance = 50 pF.
2. $\overline{\text{TRST}}$ is an asynchronous signal. The setup time is for test purposes.

Figure 5 provides the JTAG clock input timing diagram.

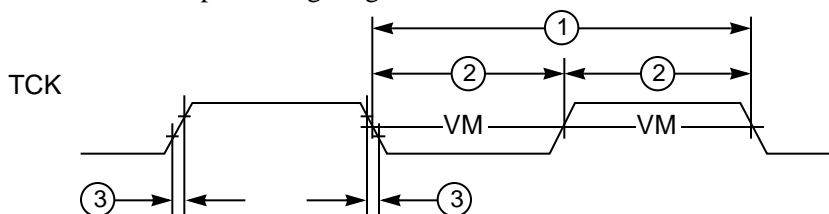


Figure 5. Clock Input Timing Diagram

Figure 6 provides the $\overline{\text{TRST}}$ timing diagram.

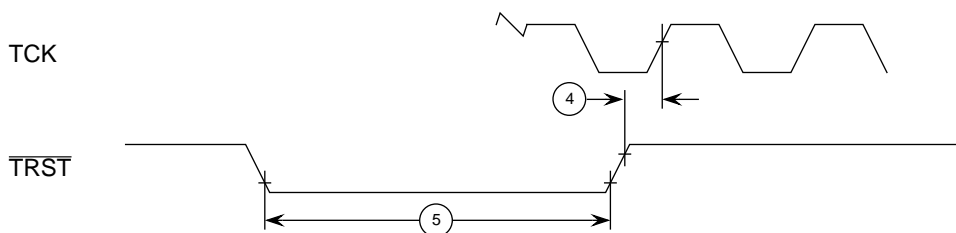


Figure 6. $\overline{\text{TRST}}$ Timing Diagram

Figure 7 provides the boundary-scan timing diagram.

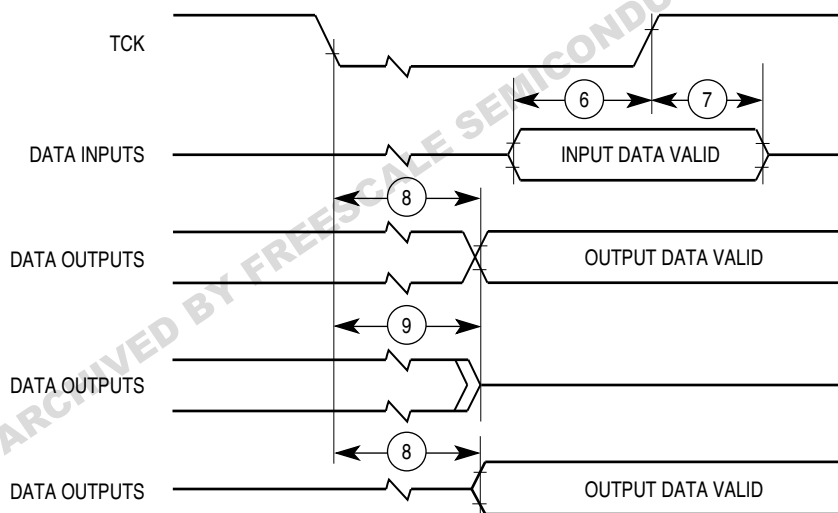


Figure 7. Boundary-Scan Timing Diagram

Figure 8 provides the test access port timing diagram.

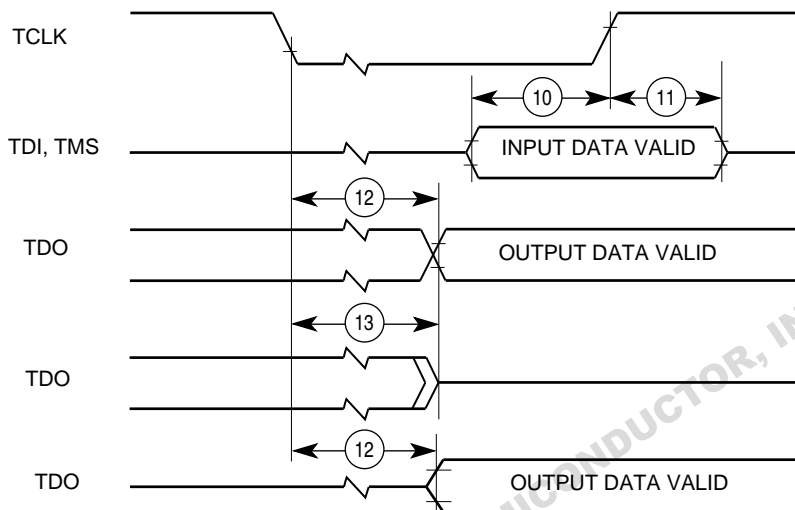


Figure 8. Test Access Port Timing Diagram

1.4 PowerPC 604 Microprocessor Pin Assignments

The following sections contain the pinout diagrams for the 604. Note that the 604 is currently offered in two packages. Motorola and IBM both offer a C4 Ceramic Quad Flat Pack (C4-CQFP), and a Ball Grid Array (BGA) package. Both IBM and Motorola C4-CQFP and BGA packages have identical pinouts.

1.4.1 Pinout Diagram for the C4-CQFP Package

Figure 9 contains the pinout diagram of the C4-CQFP package for the 604.

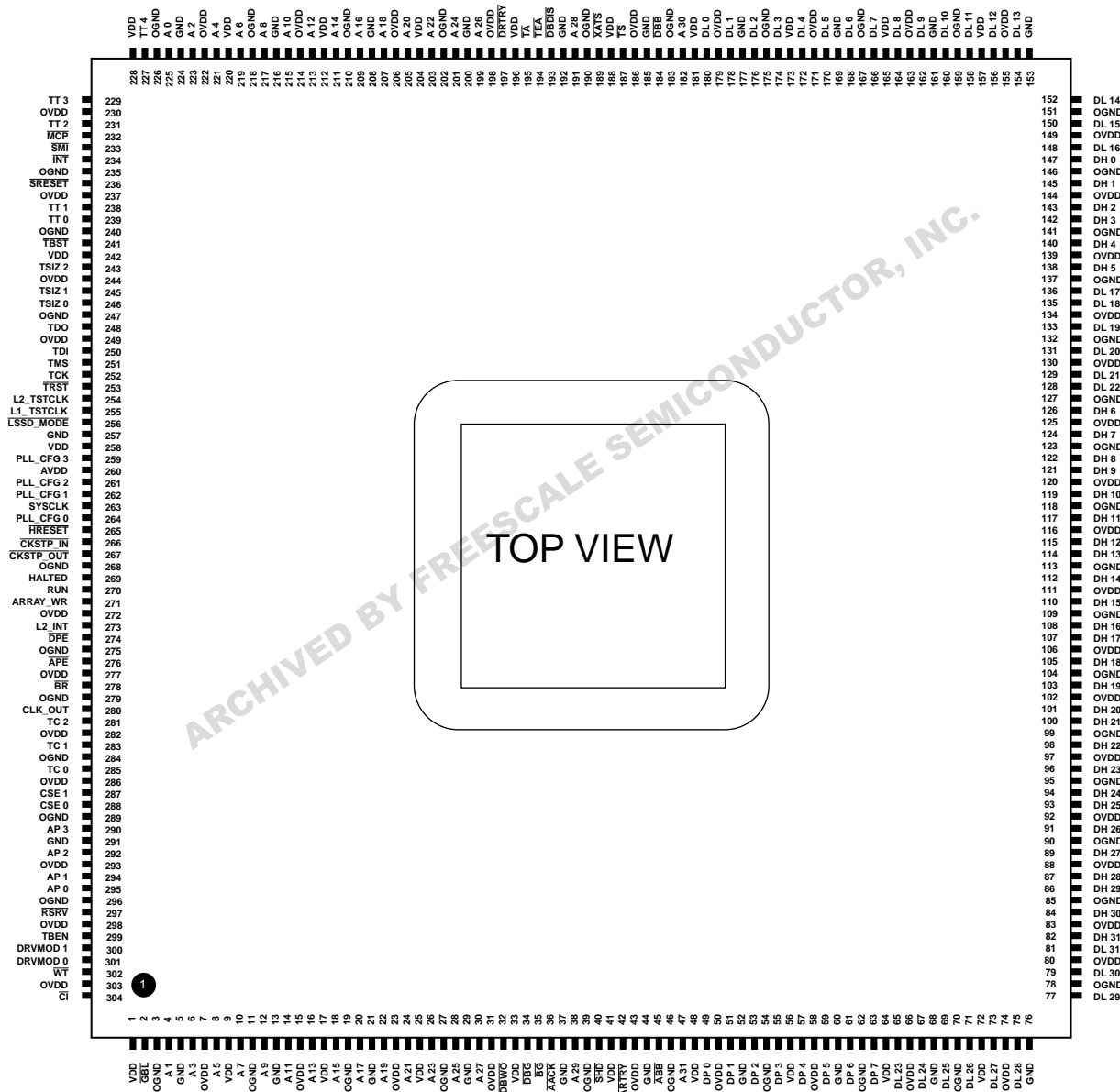
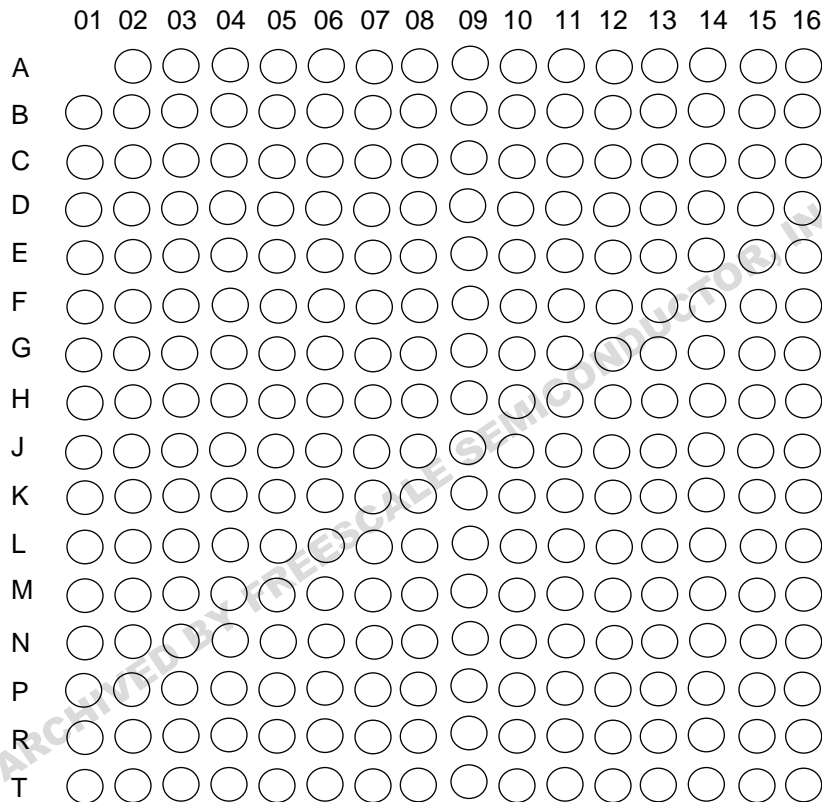


Figure 9. Pinout Diagram of the C4-CQFP Package

1.4.2 Pinout Diagram for the BGA Package

Figure 10 (in part A) shows the pinout of the BGA package as viewed from the top surface. Part B shows the side profile of the BGA package to indicate the direction of the top surface view.



Not to Scale

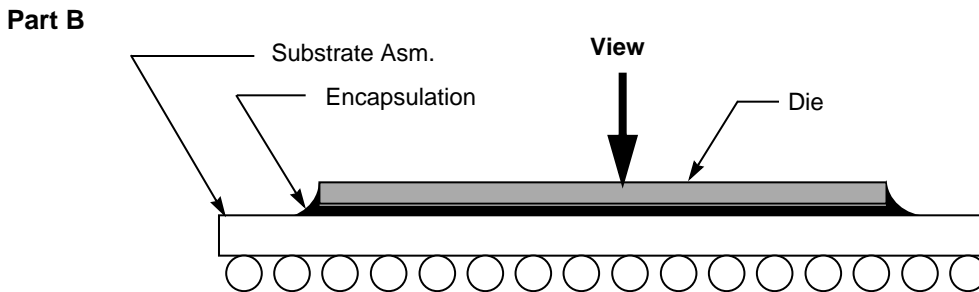


Figure 10. Pinout of the BGA Package as Viewed from the Top Surface

1.5 PowerPC 604 Microprocessor Pinout Listings

The following sections contain the pinout listings for the 604 C4-CQFP and BGA packages.

1.5.1 Pinout Listing for the C4-CQFP Package

Table 9 provides the pinout listing for the 604 C4-CQFP package.

Table 9. Pinout Listing for the C4-CQFP Package

Signal Name	Pin Number	Active	I/O
A0–A31	225, 4, 223, 6, 221, 8, 219, 10, 217, 12, 215, 14, 213, 16, 211, 18, 209, 20, 207, 22, 205, 24, 203, 26, 201, 28, 199, 30, 191, 38, 182, 47	High	I/O
$\overline{\text{AACK}}$	36	Low	Input
$\overline{\text{ABB}}$	45	Low	I/O
AP0–AP3	295, 294, 292, 290	High	I/O
$\overline{\text{APE}}$	276	Low	Output
ARRAY_WR ¹	271	Low	Input
$\overline{\text{ARTRY}}$	42	Low	I/O
AVDD	260	—	—
$\overline{\text{BG}}$	35	Low	Input
$\overline{\text{BR}}$	278	Low	Output
$\overline{\text{CI}}$	304	Low	Output
$\overline{\text{CKSTP_IN}}$	266	Low	Input
$\overline{\text{CKSTP_OUT}}$	267	Low	Output
CLK_OUT	280	—	Output
CSE0–CSE1	288, 287	High	Output
$\overline{\text{DBB}}$	184	Low	I/O
$\overline{\text{DBG}}$	34	Low	Input
$\overline{\text{DBDIS}}$	193	Low	Input
$\overline{\text{DBWO}}$	32	Low	Input
DH0–31	147, 145, 143, 142, 140, 138, 126, 124, 122, 121, 119, 117, 115, 114, 112, 110, 108, 107, 105, 103, 101, 100, 98, 96, 94, 93, 91, 89, 87, 86, 84, 82	High	I/O
DL0–DL31	180, 178, 176, 174, 172, 170, 168, 166, 164, 162, 160, 158, 156, 154, 152, 150, 148, 136, 135, 133, 131, 129, 128, 65, 67, 69, 71, 73, 75, 77, 79, 81	High	I/O
DP0–DP7	49, 51, 53, 55, 57, 59, 61, 63	High	I/O

Table 9. Pinout Listing for the C4-CQFP Package (Continued)

Signal Name	Pin Number	Active	I/O
$\overline{\text{DPE}}$	274	Low	Output
$\overline{\text{DRTRY}}$	197	Low	Input
$\overline{\text{DRVMOD0}}\text{--}\overline{\text{DRVMOD1}}$ ²	301, 300	High	Input
$\overline{\text{GBL}}$	2	Low	I/O
GND	5, 13, 21, 29, 37, 44, 52, 60, 68, 76, 153, 161, 169, 177, 185, 192, 200, 208, 216, 224, 257, 291	—	—
HALTED	269	High	Output
$\overline{\text{HRESET}}$	265	Low	Input
$\overline{\text{INT}}$	234	Low	Input
L1_TSTCLK ¹	255	Low	Input
L2_INT	273	High	Input
L2_TSTCLK ¹	254	Low	Input
$\overline{\text{LSSD_MODE}}$ ¹	256	Low	Input
$\overline{\text{MCP}}$	232	Low	Input
OGND	3, 11, 19, 27, 39, 46, 54, 62, 70, 78, 85, 90, 95, 99, 104, 109, 113, 118, 123, 127, 132, 137, 141, 146, 151, 159, 167, 175, 183, 190, 202, 210, 218, 226, 235, 240, 247, 268, 275, 279, 284, 289, 296	—	—
OVDD ³	7, 15, 23, 31, 43, 50, 58, 66, 74, 80, 83, 88, 92, 97, 102, 106, 111, 116, 120, 125, 130, 134, 139, 144, 149, 155, 163, 171, 179, 186, 198, 206, 214, 222, 230, 237, 244, 249, 272, 277, 282, 286, 293, 298, 303	—	—
$\overline{\text{PLL_CFG0}}\text{--}\overline{\text{PLL_CFG3}}$	264, 262, 261, 259	High	Input
$\overline{\text{RSRV}}$	297	Low	Output
RUN	270	High	Input
$\overline{\text{SHD}}$	40	Low	I/O
$\overline{\text{SMI}}$	233	Low	Input
$\overline{\text{SRESET}}$	236	Low	Input
SYSCLK	263	—	Input
$\overline{\text{TA}}$	195	Low	Input
TBEN	299	High	Input
$\overline{\text{TBST}}$	241	Low	I/O
TC0–TC2	285, 283, 281	High	Output

Table 9. Pinout Listing for the C4-CQFP Package (Continued)

Signal Name	Pin Number	Active	I/O
TCK	252	High	Input
TDI	250	High	Input
TDO	248	High	Output
$\overline{\text{TEA}}$	194	Low	Input
TMS	251	High	Input
$\overline{\text{TRST}}$	253	Low	Input
$\overline{\text{TS}}$	187	Low	I/O
TSIZ0–TSIZ2	246, 245, 243	High	I/O
TT0–TT4	239, 238, 231, 229, 227	High	I/O
$\overline{\text{WT}}$	302	Low	Output
VDD ³	1, 9, 17, 25, 33, 41, 48, 56, 64, 72, 157, 165, 173, 181, 188, 196, 204, 212, 220, 228, 242, 258	—	—
$\overline{\text{XATS}}$	189	Low	I/O

Notes:

1. These are test signals for factory use only and must be pulled up to VDD for normal machine operation.
2. These are drive mode signals that must be pulled up to VDD to operate in accordance with these specifications.
3. In the Motorola 604 C4-CQFP package, there is no electrical distinction between the OVDD and the VDD pins. These signals are internally shorted together. The OVDD and VDD signals have been listed separately to maintain compatibility with future parts.

1.5.2 Pinout Listing for the BGA Package

Table 10 provides the pinout listing for the 604 BGA package.

Table 10. Pinout Listing for the BGA Package

Signal Name	Pin Number	Active	I/O
A0–A31	C16, E04, D13, F02, D14, G01, D15, E02, D16, D04, E13, GO2, E15, H01, E16, H02, F13, J01, F14, J02, F15, H03, F16, F04, G13, K01, G15, K02, H16, M01, J15, P01	High	I/O
$\overline{\text{AACK}}$	L02	Low	Input
$\overline{\text{ABB}}$	K04	Low	I/O
AP0–AP3	C01, B04, B03, B02	High	I/O
$\overline{\text{APE}}$	A04	Low	Output
ARRAY_WR ¹	B07	Low	Input
$\overline{\text{ARTRY}}$	J04	Low	I/O
AVDD	A10	—	—

Table 10. Pinout Listing for the BGA Package (Continued)

Signal Name	Pin Number	Active	I/O
\overline{BG}	L01	Low	Input
BR	B06	Low	Output
\overline{CI}	E01	Low	Output
$\overline{CKSTP_IN}$	D08	Low	Input
$\overline{CKSTP_OUT}$	A06	Low	Output
CLK_OUT	D07	—	Output
CSE0–CSE1	B01, B05	High	Output
DBB	J14	Low	I/O
\overline{DBG}	N01	Low	Input
\overline{DBDIS}	H15	Low	Input
\overline{DBWO}	G04	Low	Input
DH0–31	P14, T16, R15, T15, R13, R12, P11, N11, R11, T12, T11, R10, P09, N09, T10, R09, T09, P08, N08, R08, T08, N07, R07, T07, P06, N06, R06, T06, R05, N05, T05, T04	High	I/O
DL0–DL31	K13, K15, K16, L16, L15, L13, L14, M16, M15, M13, N16, N15, N13, N14, P16, P15, R16, R14, T14, N10, P13, N12, T13, P03, N03, N04, R03, T01, T02, P04, T03, R04	High	I/O
DP0–DP7	M02, L03, N02, L04, R01, P02, M04, R02	High	I/O
\overline{DPE}	A05	Low	Output
\overline{DRTRY}	G16	Low	Input
DRVMOD0–DRVMOD1 ²	D05, C03	High	Input
GBL	F01	Low	I/O
GND	C05, C12, E03, E06, E08, E09, E11, E14, F05, F07, F10, F12, G06, G08, G09, G11, H05, H07, H10, H12, J05, J07, J10, J12, K06, K08, K09, K11, L05, L07, L10, L12, M03, M06, M08, M09, M11, M14, P05, P12	—	—
HALTED	B08	High	Output
HRESET	A07	Low	Input
\overline{INT}	B15	Low	Input
L1_TSTCLK ¹	D11	Low	Input
L2_INT	D06	High	Input
L2_TSTCLK ¹	D12	Low	Input
$\overline{LSSD_MODE}$ ¹	B10	Low	Input
\overline{MCP}	C13	Low	Input
OVDD ³	C07, E05, E07, E10, E12, G03, G05, G12, G14, K03, K05, K12, K14, M05, M07, M10, M12, P07, P10	—	—

Table 10. Pinout Listing for the BGA Package (Continued)

Signal Name	Pin Number	Active	I/O
PLL_CFG0–PLL_CFG3	A08, B09, A09, D09	High	Input
RSRV	D01	Low	Output
RUN	C08	High	Input
SHD	H04	Low	I/O
SMI	A16	Low	Input
SRESET	B14	Low	Input
SYCLK	C09	—	Input
TA	H14	Low	Input
TBEN	C02	High	Input
TBST	A14	Low	I/O
TC0–TC2	A02, A03, C06	High	Output
TCK	C11	High	Input
TDI	A11	High	Input
TDO	A12	High	Output
TEA	H13	Low	Input
TMS	B11	High	Input
TRST	C10	Low	Input
TS	J13	Low	I/O
TSIZ0–TSIZ2	A13, D10, B12	High	I/O
TT0–TT4	B13, A15, B16, C14, C15	High	I/O
WT	D02	Low	Output
VDD ³	F06, F08, F09, F11, G07, G10, H06, H08, H09, H11, J06, J08, J09, J11, K07, K10, L06, L08, L09, L11	—	—
XATS	J16	Low	I/O

Notes:

1. These are test signals for factory use only and must be pulled up to VDD for normal machine operation.
2. These are drive mode signals that must be pulled up to VDD to operate in accordance to these specifications.
3. In the 604 BGA package, there is no electrical distinction between the OVDD and the VDD pins. These signals are internally shorted together. The OVDD and VDD signals have been listed separately to maintain compatibility with future parts.

1.6 PowerPC 604 Microprocessor Package Description

The following sections provide the package parameters and the mechanical dimensions for the 604.

1.6.1 C4-CQFP Package Description

The following sections provide the package parameters and mechanical dimensions for the C4-CQFP package.

1.6.1.1 Motorola C4-CQFP Package Parameters

The package parameters for the Motorola C4-CQFP are as provided in the following list. The package type is 40 mm, 304-pin ceramic quad flat pack.

Package outline	40 mm
Interconnects	304
Pitch	0.5 mm
Lead plating	Ni Au
C4 encapsulation	Glass-filled Epoxy
Maximum module height	3.25 mm
Co-planarity specification	0.10 mm

1.6.1.2 IBM C4-CQFP Package Parameters

The package parameters for the IBM C4-CQFP are as provided in the following list. The package type is 40 mm, 304-pin ceramic quad flat pack.

Package outline	40 mm
Interconnects	304
Pitch	0.5 mm
Lead plating	Ni Au
Lead encapsulation	Glass-filled Epoxy
C4 encapsulation	Glass-filled Epoxy
Maximum module height	2.92 mm
Co-planarity specification	0.08 mm

1.6.1.3 Mechanical Dimensions of the Motorola C4-CQFP Package

Figure 11 shows the mechanical dimensions of the Motorola C4-CQFP package.

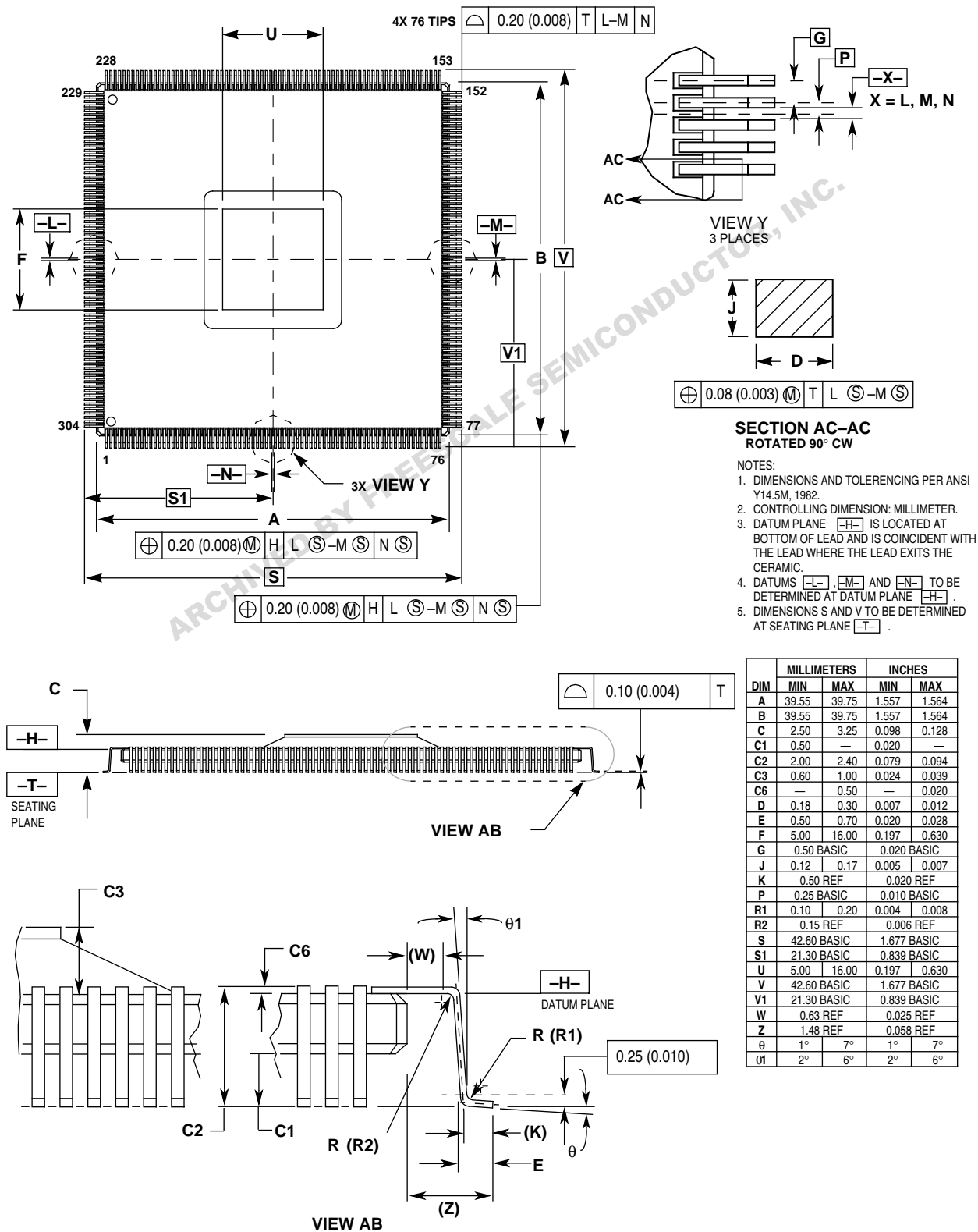


Figure 11. Mechanical Dimensions of the Motorola C4-CQFP Package

1.6.1.4 Mechanical Dimensions of the IBM C4-CQFP Package

Figure 12 shows the mechanical dimensions for the IBM C4-CQFP package.

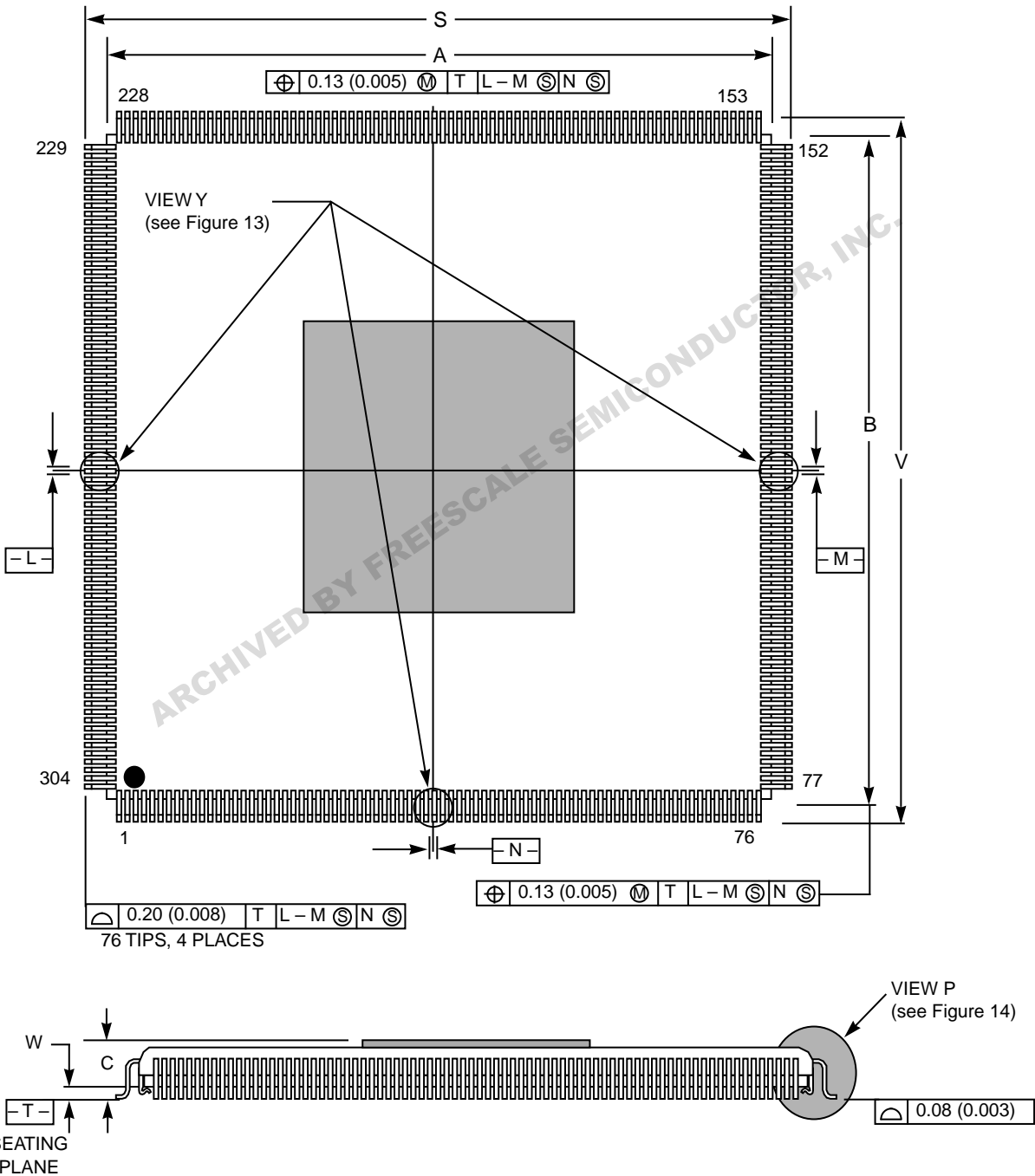


Figure 12. Mechanical Dimensions of the IBM C4-CQFP Package

Figure 13 and Figure 14 provide a more detailed representation of portions of IBM C4-CQFP package.

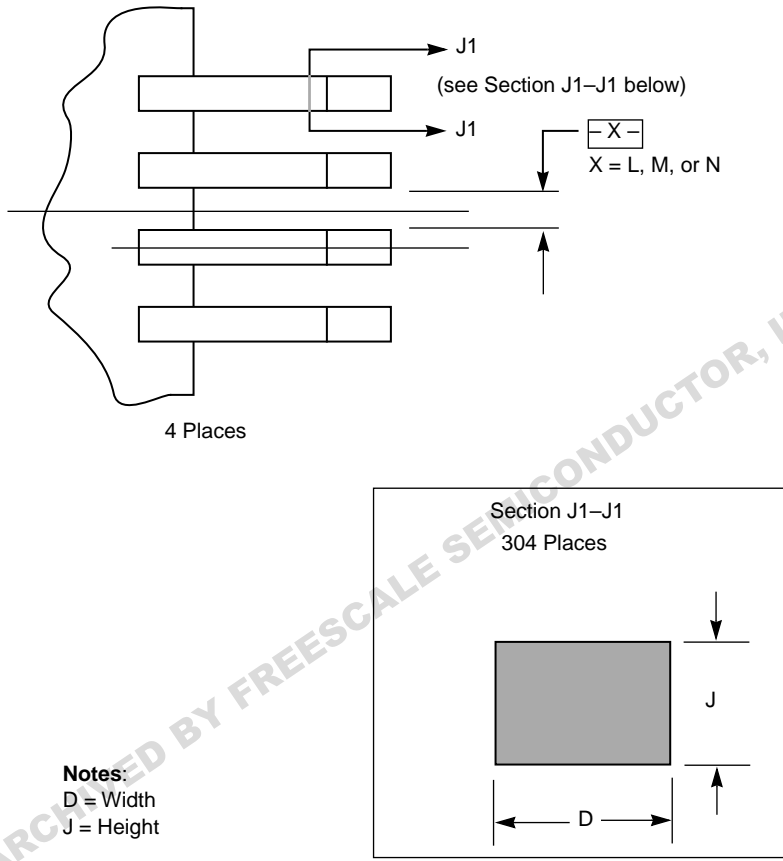


Figure 13. IBM C4-CQFP Mechanical Dimensions—View Y

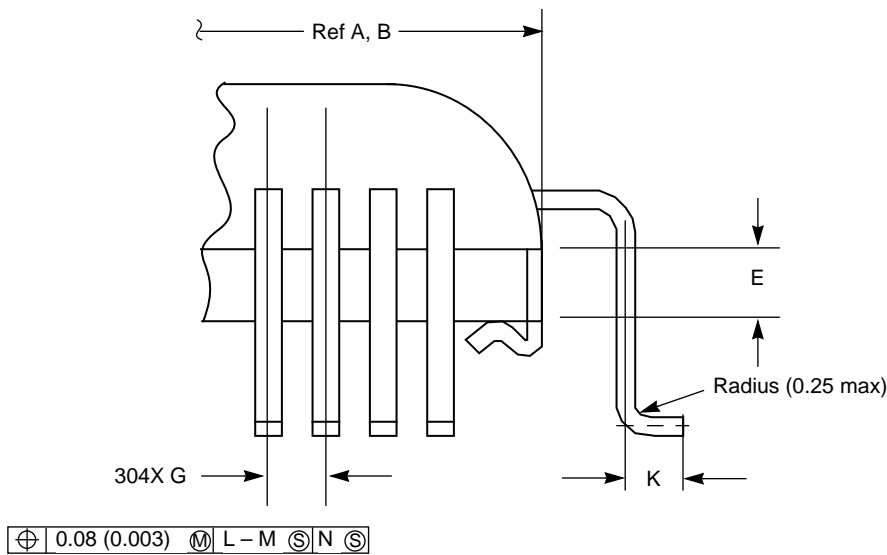


Figure 14. IBM C4-CQFP Mechanical Dimensions—View P

Table 11 lists the mechanical dimensions values for the IBM C4-CQFP package.

Table 11. Mechanical Dimensions Values

Dim	Millimeters	
	Min	Max
A	39.93	40.08
B	39.93	40.08
C	2.32	2.92
D	0.23	0.28
E	0.635 REF	
G	0.5 BSC	
J	0.12	0.20
K	0.40	0.60
S	42.4	42.8
V	42.4	42.8
W	0.35	—

Notes:

1. All dimensions and tolerances conform to ANSI Y14.5M–1982.
2. Controlling dimension—millimeter.
3. Datums – L –, –M –, and – N – to be determined at seating plane.
4. Dimensions S and V to be determined at seating plane – T–.
5. Dimensions A and B to outside of lead clip.

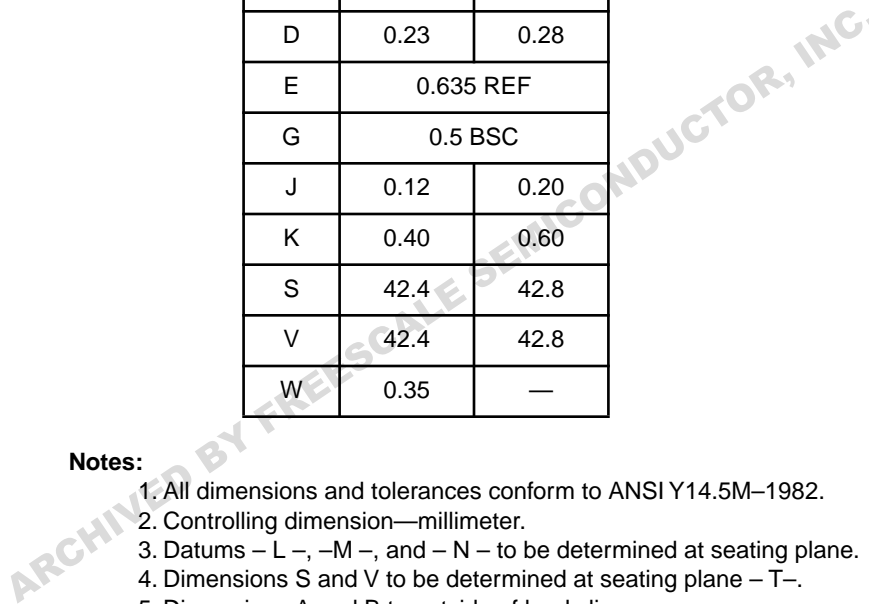
1.6.2 BGA Package Description

The following sections provide the package parameters and mechanical dimensions for the IBM and Motorola BGA packages.

1.6.2.1 Package Parameters

The package parameters are as provided in the following list. The package type is 21 mm, 256-lead ceramic ball grid array (BGA).

Package outline	21 mm
Interconnects	255
Pitch	1.27 mm
Maximum module height	3.16 mm



1.6.2.2 Mechanical Dimensions of the BGA Package

Figure 15 provides the mechanical dimensions and bottom surface nomenclature of the IBM and Motorola BGA package.

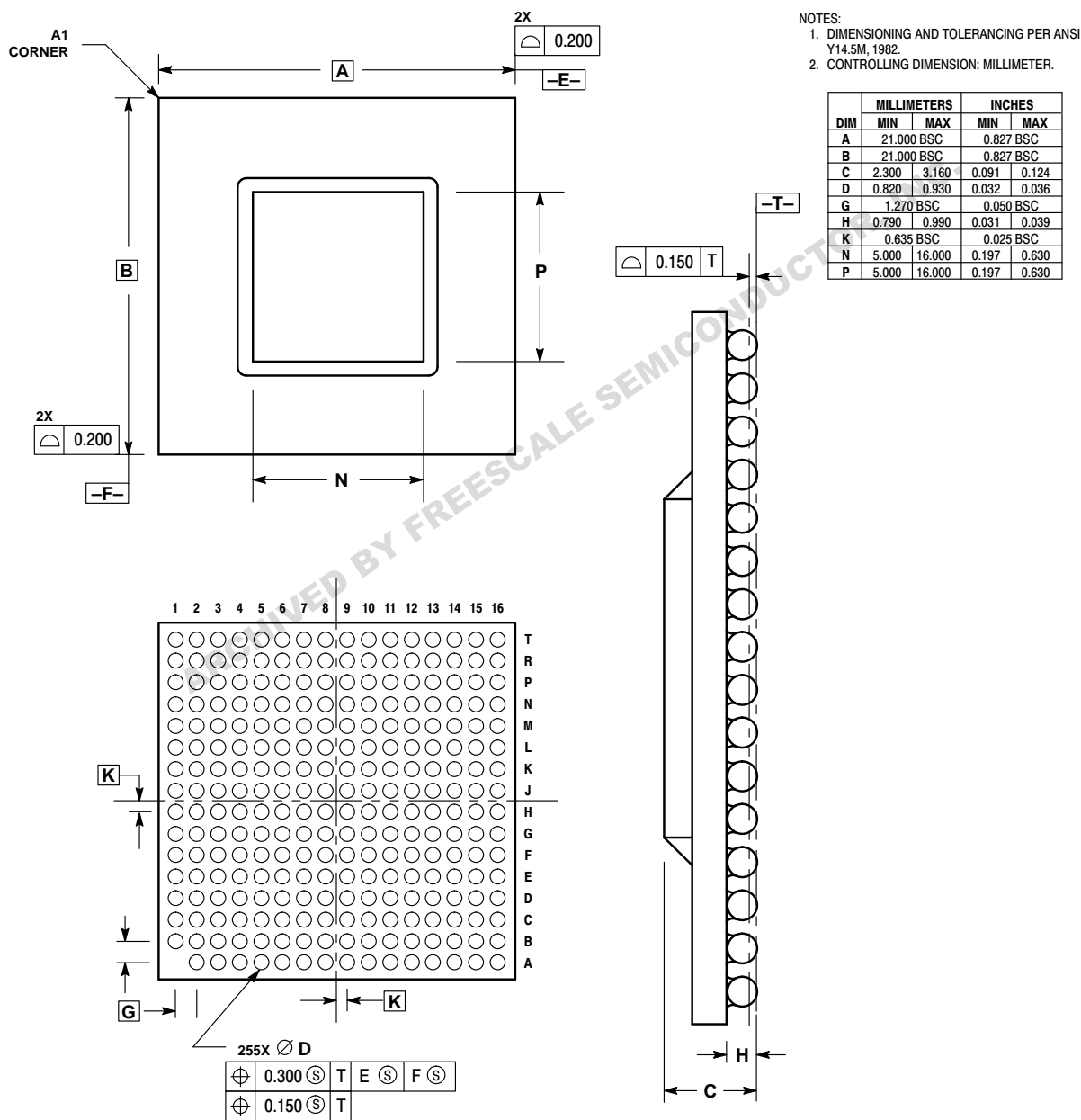


Figure 15. Mechanical Dimensions and Bottom Surface Nomenclature of the BGA Package

1.7 System Design Information

This section provides electrical and thermal design recommendations for successful application of the 604.

1.7.1 PLL Configuration

The SYSCLK input determines the external bus frequency at which the 604 will operate. The internal PLL can be configured to provide an internal (processor core) frequency that is a multiple of the external bus clock frequency. The PLL is configured by the PLL_CFG0–PLL_CFG3 signals. For a given SYSCLK (bus) frequency, the PLL configuration signals set the internal CPU frequency of operation as shown in Table 12.

Table 12. PLL Configuration

PLL_CFG0 to PLL_CFG3	Bus, CPU and VCO Frequencies								
	CPU/ SYSCLK Ratio	Bus 16.6 MHz	Bus 20 MHz	Bus 25 MHz	Bus 33.3 MHz	Bus 40 MHz	Bus 50 MHz	Bus 60 MHz	Bus 66.6 MHz
0001	1:1	—	—	—	—	—	50 (200)	60 (240)	66.6 (266)
0100	2:1	—	—	—	—	—	100 (200)	120 (240)	133 (266)
0101	2:1	—	—	50 (200)	66.6 (266)	80 (320)	—	—	—
1000	3:1	—	—	—	100 (200)	120 (240)	150 (300)	—	—
1001	3:1	50 (200)	60 (240)	75 (300)	—	—	—	—	—
1100	1.5:1	—	—	—	—	—	—	90 (180)	100 (200)
1101	1.5:1	—	—	—	50 (200)	60 (240)	75 (300)	90 (360)	—
0011	PLL Bypass								

Notes:

1. Some PLL configurations may select bus, CPU, or VCO frequencies which are not useful, not supported, or not tested for by the 604. VCO frequencies (shown in parenthesis in Table 12) should not fall below 180 MHz, and should not exceed 360 MHz.
2. In PLL-bypass mode, the SYSCLK input signal clocks the internal processor directly, and the bus is set for 1:1 mode operation. The PLL-bypass mode is for test purposes only, and is not intended for functional use.
3. PLL_CFG0–PLL_CFG1 select the CPU-to-bus ratio (1:1, 1.5:1, 2:1, 3:1), PLL_CFG2–PLL_CFG3 select the CPU-to-PLL multiplier (x2, x4).

1.7.2 PLL Power Supply Filtering

The AVDD power signal is provided on the 604 to provide power to the clock generation phase-lock loop. To ensure stability of the internal clock, the power supplied to the AVDD input signal should be filtered using a circuit similar to the one shown in Figure 16. Note that the capacitors should be placed as close as possible to the AVDD input signal.

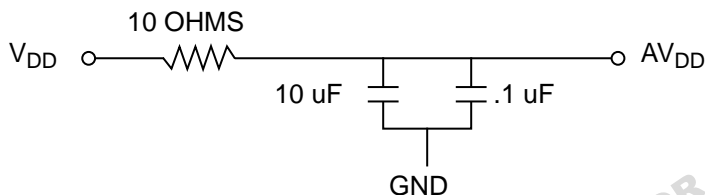


Figure 16. PLL Power Supply Filter Circuit

1.7.3 Decoupling Recommendations

The 604 can generate transient power surges and high frequency noise in its power supply, especially while driving large capacitive loads. This noise must be prevented from reaching other components in the 604 system, and the 604 itself requires a clean, tightly regulated source of power. Therefore, it is strongly recommended that the system designer place at least one decoupling capacitor with a low ESR (effective series resistance) rating at each V_{dd} and OV_{dd} pin of the 604.

These capacitors should range in value from 220 pF to 10 μF to provide both high- and low-frequency filtering, and should be placed as close as possible to their associated V_{dd} pin. Surface-mount tantalum or ceramic devices are preferred. It is also recommended that these decoupling capacitors receive their power from V_{dd} and GND power planes in the PCB, utilizing short traces to minimize inductance in the traces. Power and ground connections must be made to all external V_{dd} and GND pins of the 604.

1.7.4 Connection Recommendations

To ensure reliable operation, it is highly recommended to connect unused inputs to an appropriate signal level. Unused active low inputs should be tied to V_{dd}. Unused active high inputs should be connected to GND. All NC (no-connect) pins must remain unconnected.

1.8 Thermal Management Information

This section provides thermal management information for the C4-CQFP and the BGA packages. Proper thermal control design is primarily dependent upon the system-level design; that is, the heat sink, airflow and the thermal interface material. Heat sinks are typically attached to a chip package by means of a spring clip to holes in the printed-circuit board; see Figure 17.

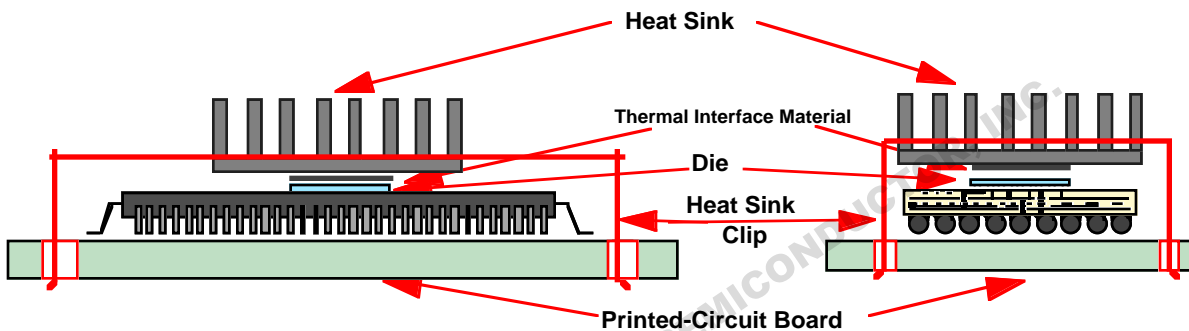


Figure 17. C4-CQFP and BGA Exploded Cross-Sectional View with Heat Sink

The board designer can choose between several types of heat sinks to place on the 604. There are several commercially-available heat sinks for the 604 provided by the following vendors:

Thermalloy
 2021 W. Valley View Lane
 P.O. Box 810839
 Dallas, TX 75731
 214-243-4321

International Electronic Research Corporation (IERC)
 135 W. Magnolia Blvd.
 Burbank, CA 91502
 818-842-7277

Aavid Engineering
 One Kool Path
 Laconic, NH 03247-0440
 603-528-3400

Wakefield Engineering
 60 Audubon Rd.
 Wakefield, MA 01880
 617-245-5900

Ultimately, the final selection of an appropriate heat sink for the 604 depends on many factors, such as thermal performance at a given air velocity, spatial volume, mass, attachment method, assembly, and cost.

1.8.1 Internal Package Conduction Resistance

For the exposed-die packaging technology, the intrinsic conduction thermal resistance paths are as follows:

- The die junction-to-case thermal resistance
- The die junction-to-lead thermal resistance

These parameters are shown in Table 13.

Table 13. Package Thermal Resistance

Thermal Metric	C4-CQFP	BGA
Junction-to-case thermal resistance	0.03 °C/W	0.03 °C/W
Junction-to-lead (ball) thermal resistance	18.0 °C/W	2.2 °C/W

Figure 18 depicts the primary heat transfer path for a package with an attached heat sink mounted to a printed-circuit board.

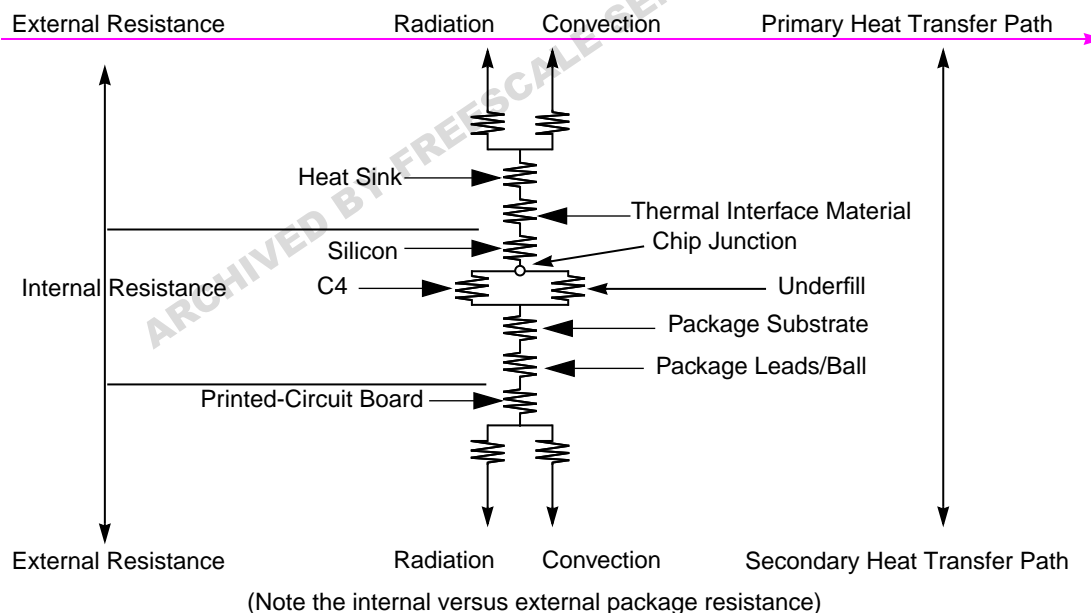


Figure 18. C4 Package with Heat Sink Mounted to a Printed-Circuit Board

Heat generated on the active side (ball) of the chip is conducted through the silicon, then through the heat sink attach material (or thermal interface material), and finally to the heat sink where it is removed by forced-air convection.

Since the silicon thermal resistance is quite small, for a first-order analysis, the temperature drop in the silicon may be neglected. Thus, the heat sink attach material and the heat sink conduction/convective thermal resistances are the dominant terms. The following section provides a thermal management example for the 604 using one of the commercially available heat-sinks.

1.8.2 Thermal Management Example

For preliminary heat sink sizing, the die-junction temperature can be expressed as follows:

$$T_j = T_a + T_r + (R_{\theta jc} + R_a + R_{sa}) * Q$$

Where:

T_j is the die-junction temperature

T_a is the inlet cabinet ambient temperature

T_r is the air temperature rise within the system cabinet

$R_{\theta jc}$ is the die-junction-to-case (top of die) thermal resistance of the device

R_a is the thermal resistance of the thermal interface material (thermal grease or thermal compound)

R_{sa} is the heat sink-to-ambient thermal resistance

Q is the power dissipated by the device

Typical die-junction temperatures (T_j) should be maintained less than 105 °C. The temperature of the air cooling the component greatly depends upon the ambient inlet air temperature and the air temperature rise within the computer cabinet. A computer cabinet inlet-air temperature (T_a) may range from 30 to 40 °C. The air temperature rise within a cabinet (T_r) may be in the range of 5 to 10 °C. The thermal resistance of the interface material (R_a) is typically about 1 °C/W. Assuming a T_a of 30 °C, a T_r of 5 °C, and a power dissipation (Q) of 18 watts, the following expression for T_j is obtained:

$$\text{Junction temperature: } T_j = 30 \text{ °C} + 5 \text{ °C} + (0.03 \text{ °C/W} + 1.0 \text{ °C/W} + R_{sa}) * 18 \text{ W}$$

For a Thermalloy heat sink #2333B, the heatsink-to-ambient thermal resistance (R_{sa}) versus airflow velocity is shown in Figure 19.

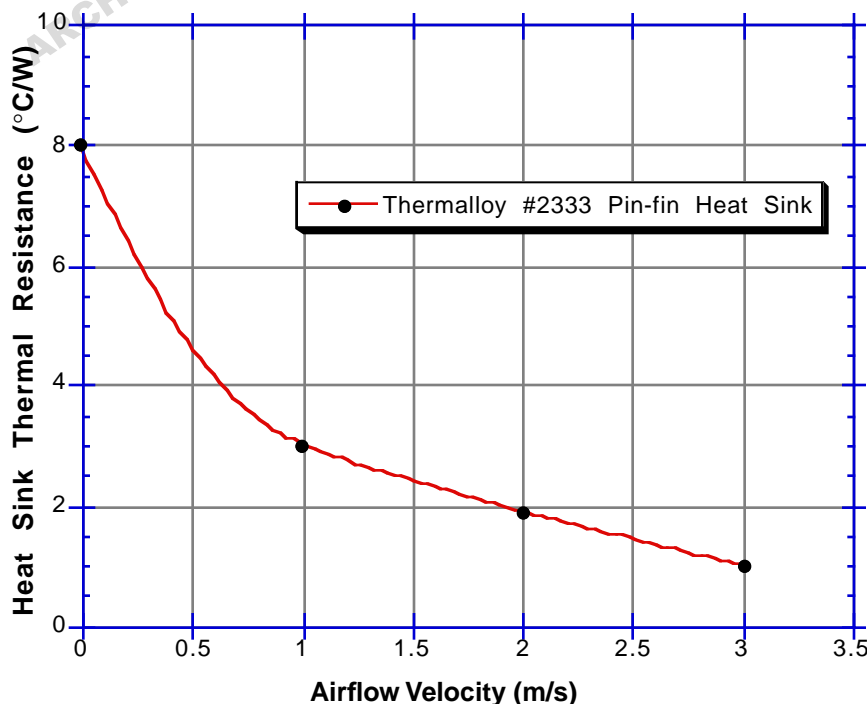


Figure 19. Thermalloy #2333B Pin-Fin Heat Sink-to-Ambient Thermal Resistance Versus Airflow Velocity

Assuming an air velocity of 1 m/s, we have an effective R_{sa} of 3 °C/W, thus

$$T_j = 30^\circ\text{C} + 5^\circ\text{C} + (0.03^\circ\text{C/W} + 1.0^\circ\text{C/W} + 3^\circ\text{C/W}) * 18 \text{ W},$$

resulting in a junction temperature of approximately 107 °C which is more than the maximum operating temperature of the part. To ensure maximum reliability, it is desirable to operate the 604 well within its operating temperature range. Thus, to keep an 18-watts 604 within its proper operating range, an air velocity greater than 1 m/s should be used with the Thermalloy #2333B pin-fin heat sink.

Other heat sinks offered by Thermalloy, Aavid, Wakefield, and IERC offer different heat sink-to-ambient thermal resistances, and may or may not need air flow. It is necessary to perform an analysis as done above to select the desired heat sink.

Though the junction-to-ambient and the heat sink-to-ambient thermal resistances are a common figure-of-merit used for comparing the thermal performance of various microelectronic packaging technologies, one should exercise caution when only using this metric in determining thermal management because no single parameter can adequately describe three-dimensional heat flow. The final chip-junction operating temperature is not only a function of the component-level thermal resistance, but the system-level design and its operating conditions. In addition to the component's power dissipation, a number of factors affect the final operating die-junction temperature. These factors might include airflow, board population (local heat flux of adjacent components), heat sink efficiency, heat sink attach, next-level interconnect technology, system air temperature rise, etc.

Due to the complexity and the many variations of system-level boundary conditions for today's microelectronic equipment, the combined effects of the heat transfer mechanisms (radiation, convection and conduction) may vary widely. For these reasons, we recommend using conjugate heat transfer models for the board as well as system-level designs. To expedite system-level thermal analysis, several "compact" thermal-package models are available within FLOTHERM®. These are available upon request.

1.9 Ordering Information

This section provides the part numbering nomenclature for the 604. Note that the individual part numbers correspond to a specific combination of 604 internal/bus frequencies, which must be observed to ensure proper operation of the device. For available frequency combinations, contact your local Motorola or IBM sales office.

In addition to the processor frequency and bus ratio, the part numbering scheme also consists of a part modifier. The part modifier allows for the availability of future enhanced parts (that is, lower voltage, lower power, higher performance, etc.).

Each part number also contains a revision code. This refers to the die mask revision number and is specified in the part numbering scheme for identification purposes only.

1.9.1 Motorola Part Number Key

Figure 20 provides the Motorola part numbering nomenclature for the 604.

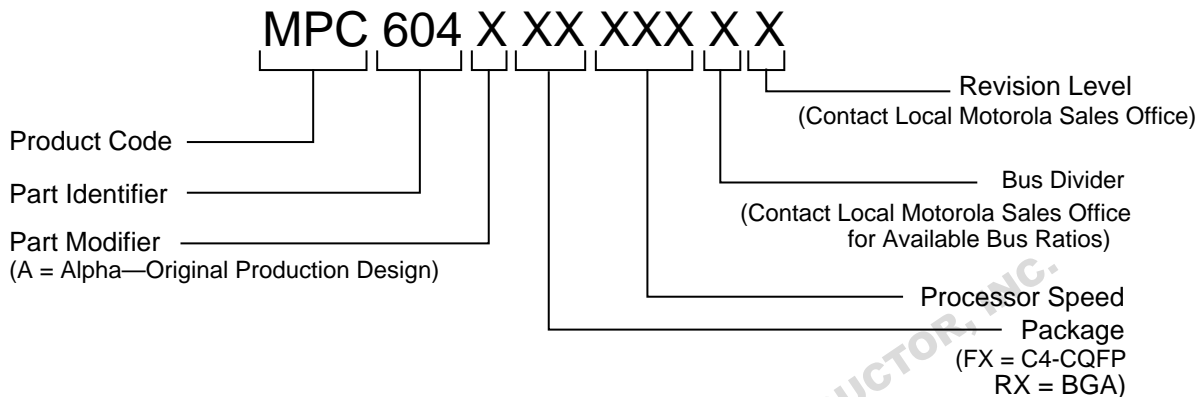


Figure 20. Motorola Part Number Key

1.9.2 IBM Part Number Key

Figure 21 provides the IBM part numbering nomenclature for the 604.

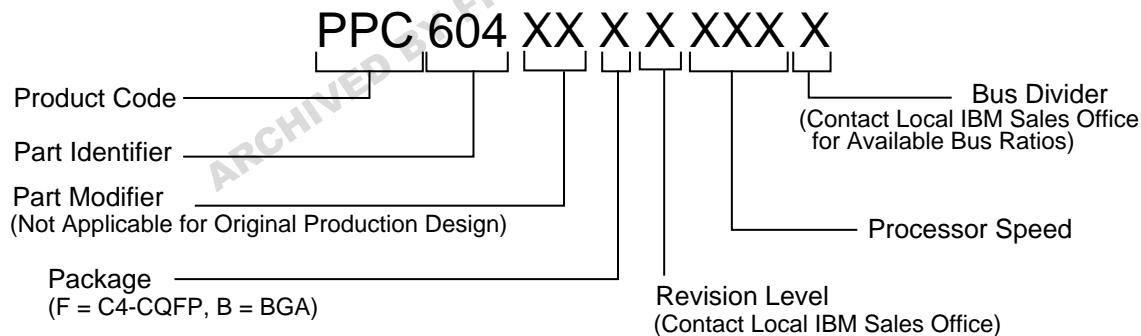


Figure 21. IBM Part Number Key

Information in this document is provided solely to enable system and software implementers to use PowerPC microprocessors. There are no express or implied copyright or patent licenses granted hereunder by Motorola or IBM to design, modify the design of, or fabricate circuits based on the information in this document.

The PowerPC 604 microprocessor embodies the intellectual property of Motorola and of IBM. However, neither Motorola nor IBM assumes any responsibility or liability as to any aspects of the performance, operation, or other attributes of the microprocessor as marketed by the other party or by any third party. Neither Motorola nor IBM is to be considered an agent or representative of the other, and neither has assumed, created, or granted hereby any right or authority to the other, or to any third party, to assume or create any express or implied obligations on its behalf. Information such as data sheets, as well as sales terms and conditions such as prices, schedules, and support, for the product may vary as between parties selling the product. Accordingly, customers wishing to learn more information about the products as marketed by a given party should contact that party.

Both Motorola and IBM reserve the right to modify this document and/or any of the products as described herein without further notice. **NOTHING IN THIS DOCUMENT, NOR IN ANY OF THE ERRATA SHEETS, DATA SHEETS, AND OTHER SUPPORTING DOCUMENTATION, SHALL BE INTERPRETED AS THE CONVEYANCE BY MOTOROLA OR IBM OF AN EXPRESS WARRANTY OF ANY KIND OR IMPLIED WARRANTY, REPRESENTATION, OR GUARANTEE REGARDING THE MERCHANTABILITY OR FITNESS OF THE PRODUCTS FOR ANY PARTICULAR PURPOSE.** Neither Motorola nor IBM assumes any liability or obligation for damages of any kind arising out of the application or use of these materials. Any warranty or other obligations as to the products described herein shall be undertaken solely by the marketing party to the customer, under a separate sale agreement between the marketing party and the customer. In the absence of such an agreement, no liability is assumed by Motorola, IBM, or the marketing party for any damages, actual or otherwise.

"Typical" parameters can and do vary in different applications. All operating parameters, including "Typicals," must be validated for each customer application by customer's technical experts. Neither Motorola nor IBM convey any license under their respective intellectual property rights nor the rights of others. Neither Motorola nor IBM makes any claim, warranty, or representation, express or implied, that the products described in this document are designed, intended, or authorized for use as components in systems intended for surgical implant into the body, or other applications intended to support or sustain life, or for any other application in which the failure of the product could create a situation where personal injury or death may occur. Should customer purchase or use the products for any such unintended or unauthorized application, customer shall indemnify and hold Motorola and IBM and their respective officers, employees, subsidiaries, affiliates, and distributors harmless against all claims, costs, damages, and expenses, and reasonable attorney fees arising out of, directly or indirectly, any claim of personal injury or death associated with such unintended or unauthorized use, even if such claim alleges that Motorola or IBM was negligent regarding the design or manufacture of the part.

Motorola and  are registered trademarks of Motorola, Inc. Motorola, Inc. is an Equal Opportunity/Affirmative Action Employer.

IBM, the IBM logo, and IBM Microelectronics are registered trademarks of International Business Machines Corporation.

The PowerPC name, the PowerPC logotype, and PowerPC 604 are trademarks of International Business Machines Corporation, used under license therefrom. International Business Machines Corporation is an Equal Opportunity/Affirmative Action Employer.

International Business Machines Corporation:

IBM Microelectronics Division, 1580 Route 52, Bldg. 504, Hopewell Junction, NY 12533-6531; Tel. (800) PowerPC

World Wide Web Address: <http://www.chips.ibm.com/products/ppc>
<http://www.ibm.com>

Motorola Literature Distribution Centers:

USA/EUROPE: Motorola Literature Distribution; P.O. Box 20912; Phoenix, Arizona 85036; Tel.: 1-800-441-2447

JAPAN: Nippon Motorola Ltd.; Tatsumi-SPD-JLDC, Toshikatsu Otsuki, 6F Seibu-Butsuryu-Center, 3-14-2 Tatsumi Koto-Ku, Tokyo 135, Japan; Tel.: 03-3521-8315

HONG KONG: Motorola Semiconductors H.K. Ltd.; 8B Tai Ping Industrial Park, 51 Ting Kok Road, Tai Po, N.T., Hong Kong; Tel.: 852-26629298

Technical Information: Motorola Inc. SPS Customer Support Center; (800) 521-6274.

Document Comments: FAX (512) 891-2638, Attn: RISC Applications Engineering.



MOTOROLA

**For More Information On This Product,
Go to: www.freescale.com**