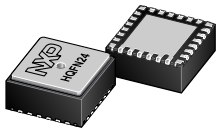


# NBP9

## Battery pressure monitor sensor

Rev. 3.2 — 3 November 2023

Product data sheet



## 1 General description

The NBP9 family is a fully integrated battery pressure monitoring sensor (BPMS). The NBP9 BPMS solution integrates an 8-bit central processing unit (CPU) running on factory-embedded firmware with serial data and PWM output interfaces to create the ready-to-use battery pressure monitor sensor.

The NBP9 includes unique autonomous features such as periodic data management with host notification, pressure change detection with host wake up, and self-test.

The NBP9 is packaged in a small 4 mm x 4 mm x 1.98 mm wettable-flank QFN, and is qualified to AEC-Q100 grade 1 and MSL 3 classifications.

## 2 Features and benefits

- Transducer measurement interfaces with low-power AFE:
  - 10-bit compensated pressure sense element
  - 8-bit compensated internal device temperature measurement
  - 8-bit compensated internal device voltage measurement
- 12-entry pressure FIFO
- Selectable host wake-up indications:
  - fixed pressure threshold
  - relative pressure threshold
  - pressure rate of change threshold
- Client SPI to support host access to internal peripherals, registers, and memory
- Generation of PWM signal encoding error status and pressure measurement
- Qualified in compliance with AEC-Q100, Rev. H
- User-selectable sampling interval
- Low-voltage detection

## 3 Ordering information

Table 1. Ordering information

Type number	Package		
	Name	Description	Version
NBP9	HQFN24	Plastic thermal enhanced quad flat package; no leads, 0.1 dimple wettable flank; 24 terminals; 0.5 mm pitch, 4 mm x 4 mm x 1.98 mm body	SOT1931-1(D)



Table 2. Ordering options

Part Number	Pressure Range	Pressure tolerances
NBP9FD4T1	40 kPa to 250 kPa	Standard tolerances

## 4 Block diagram

Figure 1 presents the main blocks of the device and their signal interactions. Power management controls and bus control signals are not shown in this block diagram for clarity.

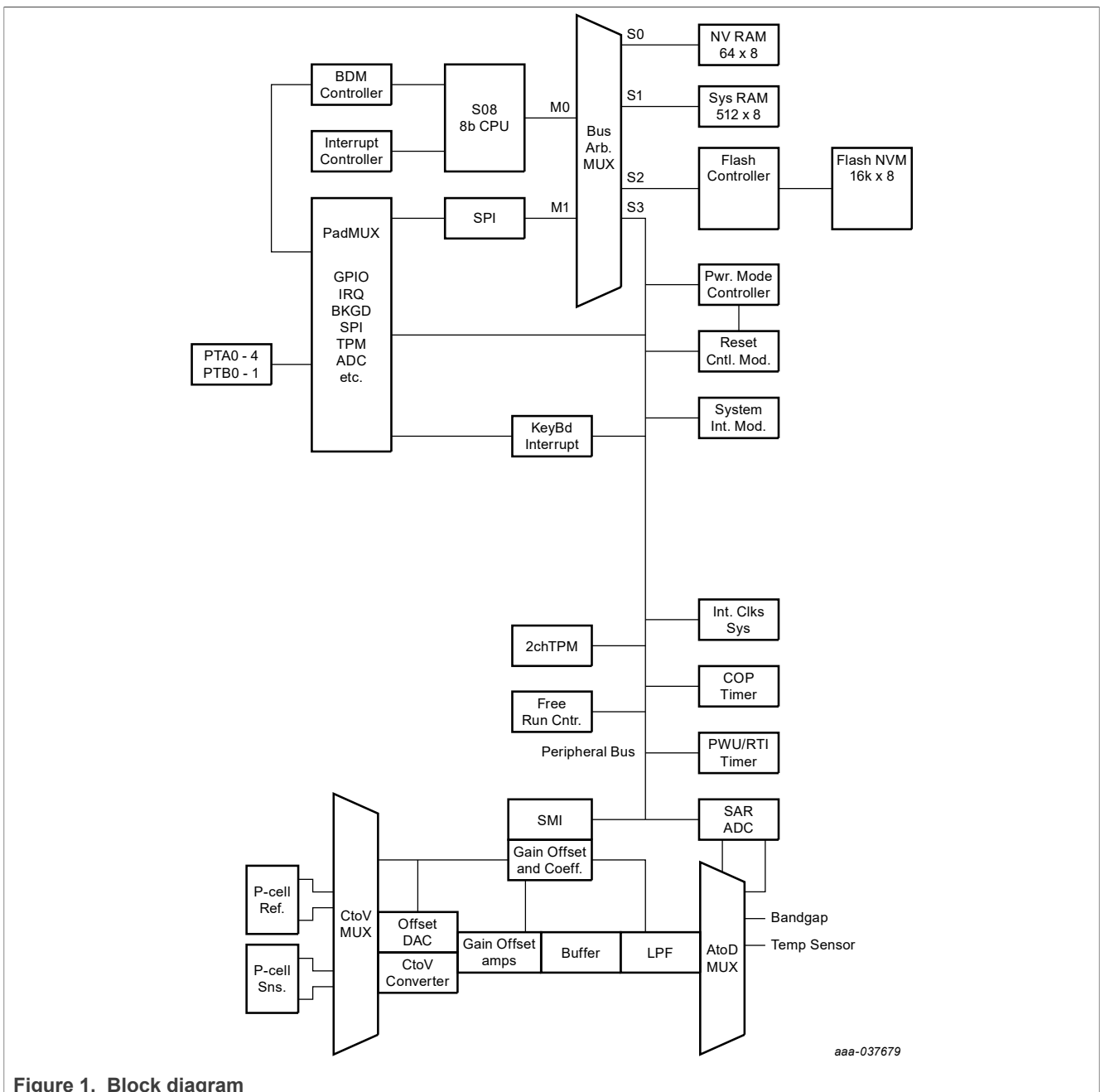


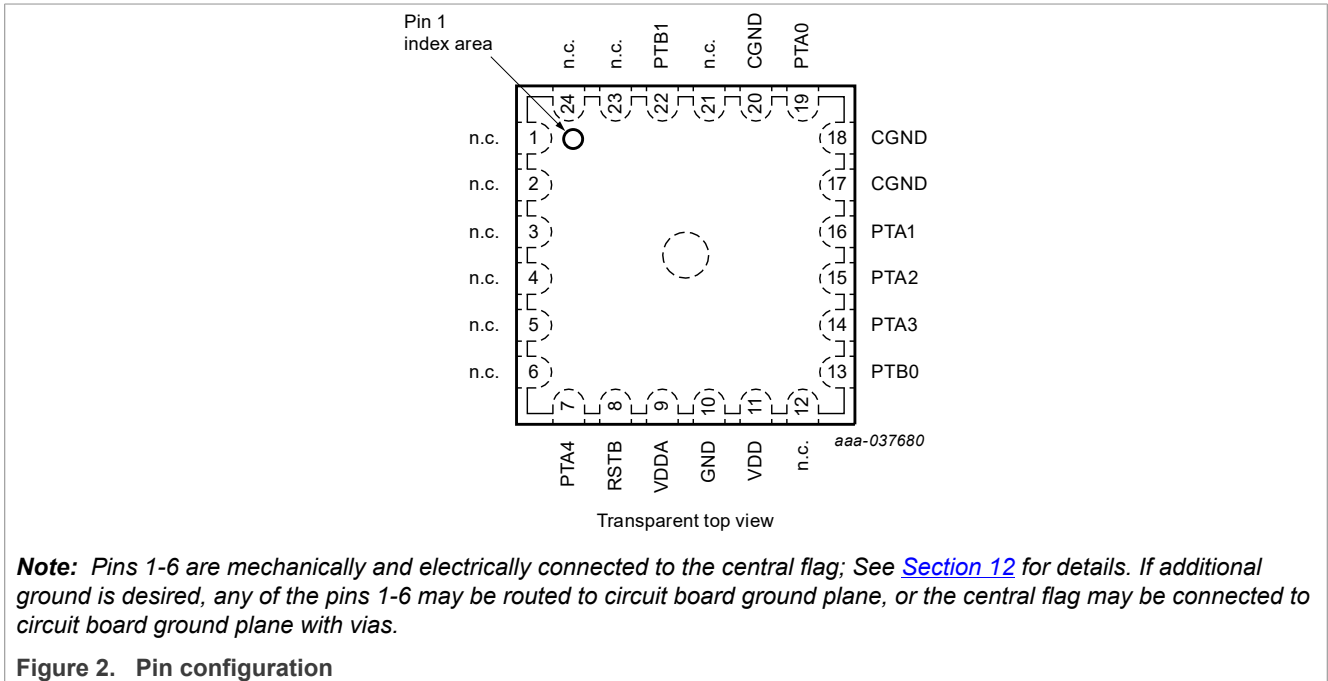
Figure 1. Block diagram

## 5 Pinning information

This section describes the pin layout and general function of each pin.

### 5.1 Pinning

The device pinout is shown in [Figure 2](#) for the orientation of the pressure port up.



### 5.2 Pin description

Table 3. Pin description

Symbol	Pin	Function	Description
n.c.	1	—	Do not connect electrical signals to this pin; solder joint only.
n.c.	2	—	Do not connect electrical signals to this pin; solder joint only.
n.c.	3	—	Do not connect electrical signals to this pin; solder joint only.
n.c.	4	—	Do not connect electrical signals to this pin; solder joint only.
n.c.	5	—	Do not connect electrical signals to this pin; solder joint only.
n.c.	6	—	Do not connect electrical signals to this pin; solder joint only.
PTA4	7	PTA4 / BKGD	<p>PTA4 Pin - The PTA4 pin places the device in the BACKGROUND DEBUG mode (BDM) to evaluate CPU code and transfer data to/from the internal memory. If the BKGD/PTA4 pin is held low when the device comes out of a power-on-reset (POR), the device switches into the ACTIVE BACKGROUND DEBUG mode (BDM).</p> <p>The BKGD/PTA4 pin has an internal pullup device or can be connected to VDD in the application, unless there is a need to enter BDM operation after the device as been soldered into the PWB. If in-circuit BDM is desired, the BKGD/PTA4 pin should be connected to VDD through a resistor (~10 kΩ or greater) which can be over-driven by an external signal. This resistor</p>

Table 3. Pin description...continued

Symbol	Pin	Function	Description
			reduces the possibility of inadvertently activating the debug mode in the application due to an EMC event. When the application programs port A to GPIOs, PTA4 becomes output-only.
RST_B	8	Reset / $V_{PP}$ programming voltage	The RST_B pin is used for test and establishing the BDM condition and providing the programming voltage source to the internal FLASH memory. The RST_B pin has an internal pullup device. This pin will only be used by customers who intend to reprogram the NBP. When no reprogramming is needed, this pin can be connected to VDD in the application. If in-circuit BDM is desired after the device has been soldered to the PWB, the RST_B pin can optionally be connected to VDD through a low impedance resistor (<10 k $\Omega$ ) which can be over-driven by an external signal. This low impedance resistor reduces the possibility of getting into the debug mode in the application due to an EMC event. Activation of the external reset function occurs when the voltage on the RST_B pin goes below $0.3 \times V_{DD}$ for at least 100 ns before rising above $0.7 \times V_{DD}$ .
VDDA	9	Analog supply	The analog circuits operate from a single power supply connected to the unit through the VDDA pin. VDDA is the positive supply and GND is the ground. The conductors to the power supply should be connected to the VDDA and GND pins and locally decoupled. Care should be taken to reduce measurement signal noise by separating the VDD, GND, VDDA, and no RFGND pins using a “star” connection such that each metal trace does not share any load currents with other external devices.
GND	10	Digital and analog ground	The digital circuits operate from a single power supply connected to the unit through the VDD and GND pins. GND is the ground. Care should be taken to reduce measurement signal noise by separating the GND pins using a “star” connection such that each metal trace does not share any load currents with other external devices.
VDD	11	Digital supply	The digital circuits operate from a single power supply connected to the unit through the VDD and GND pins. VDD is the positive supply. The conductors to the power supply should be connected to the VDD and GND pins and locally decoupled.
n.c.	12	—	Do not connect electrical signals to this pin; solder joint only.
PTB0	13	PTB0 / TPMCH0 / AD3	The PTB[0] pin is a general-purpose I/O pin. This pin can be configured as a nominal bidirectional I/O pin with programmable pullup devices. User software must configure the general-purpose I/O pin (PTB[1:0]) so that they do not result in “floating” inputs. PTB0 can be mapped to TPM channel 0, or to ADC channel 3.
PTA3	14	PTA3 / KBI3 / SOCI	The PTA[3] pin is a general-purpose I/O pin. The pulldown devices can only be activated if the wake-up interrupt capability is enabled. User software must configure the general-purpose I/O pins so that they do not result in “floating” inputs. PTA[3] maps to keyboard interrupt function bit [3]. When SPI is enabled, PTA[3] serves as SOCI.
PTA2	15	PTA2 / KBI2 / SICO	The PTA[2] pin is a general-purpose I/O pin. The pulldown devices can only be activated if the wake-up interrupt capability is enabled. User software must configure the general-purpose I/O pins so that they do not result in “floating” inputs. PTA[2] maps to keyboard interrupt function bit [2]. When SPI is enabled, PTA[2] serves as SICO.
PTA1	16	PTA1 / KBI1 / SCLK	The PTA[1] pin is a general-purpose I/O pin. The pulldown devices can only be activated if the wake-up interrupt capability is enabled. User software

Table 3. Pin description...continued

Symbol	Pin	Function	Description
			must configure the general-purpose I/O pins so that they do not result in “floating” inputs. PTA[1] maps to keyboard interrupt function bit [1]. When SPI is enabled, PTA[1] serves as SCLK
CGND	17	—	To be connected to ground by the application.
CGND	18	—	To be connected to ground by the application.
PTA0	19	PTA0 / KBI0 / CS_B / IRQ	The PTA[0] pin is a general-purpose I/O pin. PTA[0] can be configured as a normal bidirectional I/O pin with programmable pullup or pulldown devices and/or wake-up interrupt capability. PTA[0] can be configured for external interrupt (IRQ). The pulldown devices can only be activated if the wake-up interrupt capability is enabled. User software must configure the general-purpose I/O pins so that they do not result in “floating” inputs. PTA[0] maps to keyboard interrupt function bit [0]. When SPI is enabled, PTA0 serves as CS_B.
CGND	20	—	To be connected to ground by the application.
n.c.	21	—	Do not connect electrical signals to this pin; solder joint only.
PTB1	22	PTB1 / TPMCH1 / AD4	The PTB[1] pin is a general-purpose I/O pin. This pin can be configured as a nominal bidirectional I/O pin with programmable pullup devices. User software must configure the general-purpose I/O pins (PTB[1:0]) so that they do not result in “floating” inputs. PTB1 can be mapped to TPM channel 1, or to ADC channel 4.
n.c.	23	—	Do not connect electrical signals to this pin; solder joint only.
n.c.	24	—	Do not connect electrical signals to this pin; solder joint only.

5.3 Application

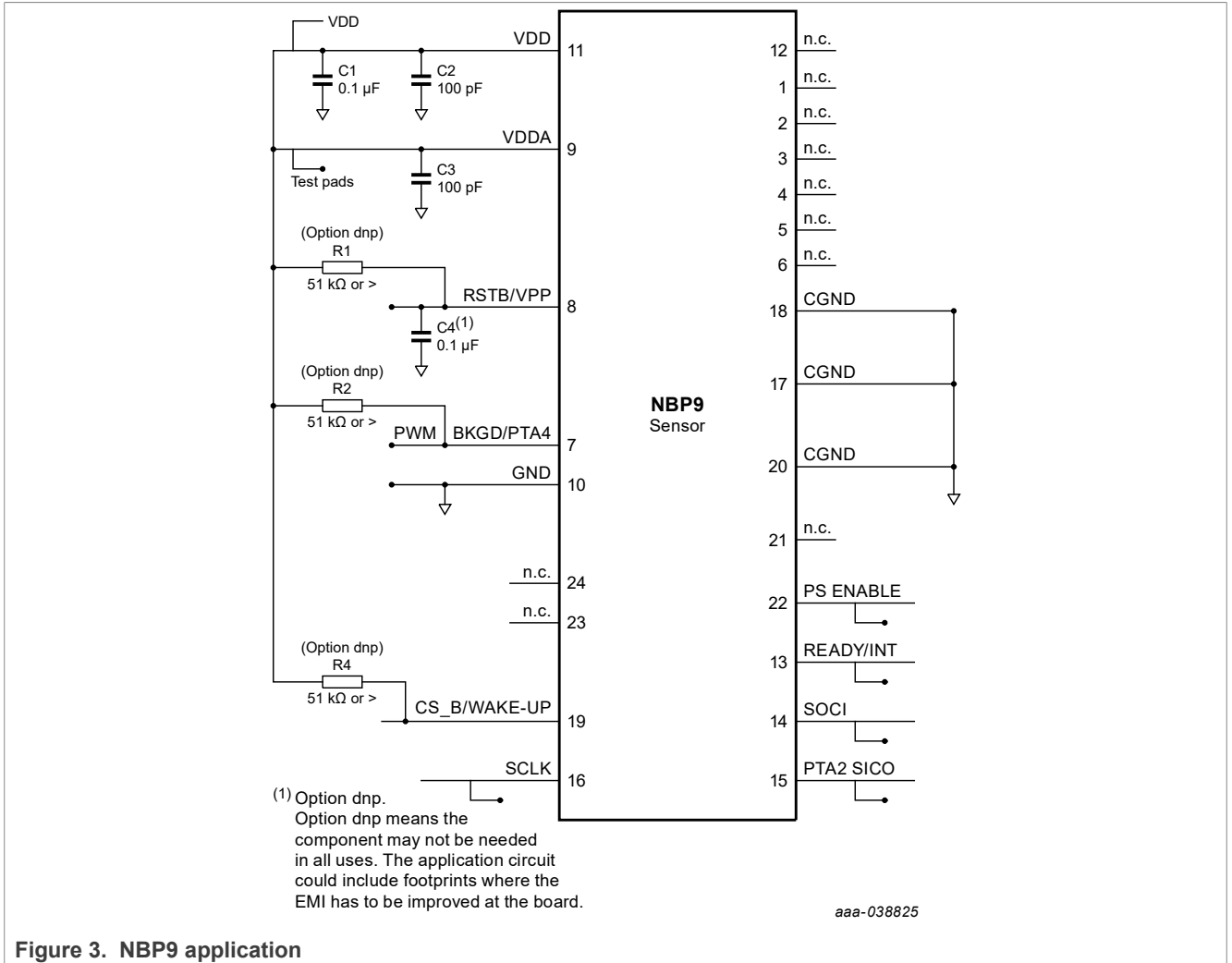


Figure 3. NBP9 application

## 6 Functional description

### 6.1 Communication between the NBP9 and external host

An example block diagram of NBP9 with an external host is shown in [Figure 4](#):

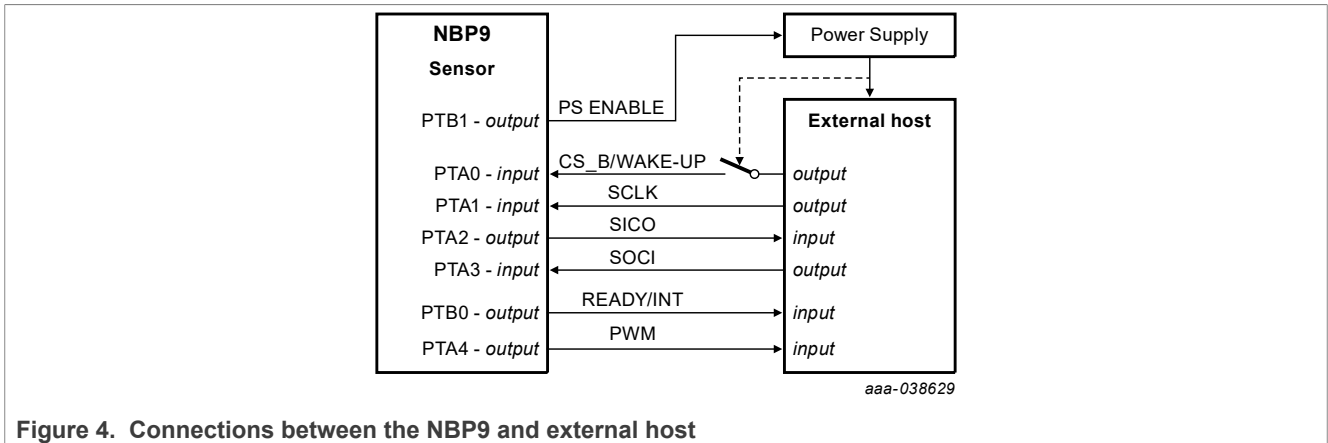


Table 4. Connection pins description

Pin	Description	Remarks
PS ENABLE (PTB1)	Power supply enable.	When enabled, the NBP9 asserts the PS ENABLE pin before generating a pulse on the INT pin.
CS_B/WAKE UP (PTA0)	<ul style="list-style-type: none"> <li>When SPI is enabled: Client Select active low</li> <li>When SPI is disabled: WAKE-UP / low state triggers an interrupt on NBP9 side (no edge required)</li> </ul>	<p>When SPI is disabled, the WAKE-UP signal can be used for the external host to request SPI communication with the NBP9, to read memory and change settings, or trigger a self-test, firmware verification, software reset, or clear flags and user FIFO.</p> <p>When SPI is enabled, Client Select when active low, ready for SCLK clock and data</p>
SCLK (PTA1)	SPI clock	SPI clock from external host
SICO (PTA2)	SPI SICO	Server-In-Client-Out data
SOCI (PTA3)	SPI SOCI	Server-Out-Client-In data
READY / INT (PTB0)	<ul style="list-style-type: none"> <li>READY signal: following a WAKE-UP event, the NBP9 indicates to the external host it is ready for the SPI transfers by asserting the pin.</li> <li>INT signal: the NBP9 notifies the external host that an event requiring attention occurred by generating a pulse on the pin.</li> </ul>	The external host should enable a pull up/down to maintain the pin in idle state as long as the NBP9 does not assert it.
PWM (PTA4)	When applicable, a PWM signal is generated on the PWM pin. The PWM duty cycle depends on the status flags and pressure value.	This pin has an internal pull-up to prevent unwanted BACKGROUND DEBUG mode entry. The External host must let the pin float or connect it to a pull-up that is parallel to the NBP9

Table 4. Connection pins description...continued

Pin	Description	Remarks
		internal pull-up. There must be no pull-down enabled or connected to this pin.
<p><b>Note:</b> When the NBP9 is in sleep mode, the CS_B/WAKEUP pin is configured as input with pull-up enabled. All other pins are in high impedance state, which means that the NBP9 does not maintain their levels. Specifically, the level of the PS ENABLE pin is not maintained by the NBP9 in sleep, so when this signal is used, its idle level must be maintained by an external circuit.</p> <p><b>Note:</b> If the external host will be switched off, the CS_B/WAKE UP signal must be isolated to prevent inadvertent assertion; a fixed low level at the NBP9 CS_B/WAKE UP input will cause the sensor to remain waiting for the SPI SCLK, and not collect new pressure measurements.</p>		

## 6.2 Serial peripheral interface (SPI) module

The SPI module is configured as a standard client SPI which allows a full duplex, synchronous, serial communication between the unit and a server SPI device.

The principal features of the SPI block are summarized as follows:

- Client only mode operation.
- Full-duplex, 4 wire, synchronous serial communication.
- Command-Response communication format.
- SCLK operation up to 10 MHz supported.
- Fixed Clock polarity and phase supported (CPOL=0, CPHA = 0).
  - The SPI module requires the base clock value to be at the low state (CPOL = 0) with data captured on the rising edge of the clock and data propagated on the falling edge of the clock (CPHA = 0).
- Supports 8-bit register read and write operations via 16 clock transfers.
- Even Parity error-checking.
- Alternate bus controller for the system-on-chip (SoC) internal IP Bus system.
  - SPI can be used to access the entire Memory map of the NBP9.
- Contains eight, 8-bit memory mapped registers for user and test mode operations.
- Decodes SPI test mode entry sequence and enables SPI test mode.

As a client, the SPI interface is compatible with SPI interface mode 00, corresponding to CPOL = 0 and CPHA = 0. For CPOL = 0, the idle value of the clock is zero, and the active value of the clock is 1. For CPHA = 0, data is captured on the rising edge (low to high transition) of the clock and data is propagated on the falling edge (high to low transition) of the clock.

As a client, the CS\_B pin is driven low at the start of a transaction, held low during the transfer, and then driven high again after the transaction is completed. During a transaction, the server toggles the clock (SCLK). The SCLK polarity is defined as having an idle value that is low, and an active phase that is high (CPOL = 0). Serial input and output data is captured on the rising edge of the clock and propagated on the falling edge (CPHA = 0). Single-byte read and single-byte write operations are completed in two strobes of CS\_B of 16 SCLK cycles each; multiple byte reads and writes are completed in additional multiples of 16 SCLK cycles. The first SCLK cycle latches the most significant bit on SOC1 to select whether the desired operation is a read (R/W = 1) or a write (R/W = 0). The following 13 SCLK cycles are used to latch the client register read or write address. The final two SCLK cycles are used to latch the parity calculation results.

When memory is secured by SEC[1:0] settings, the SPI may access only the address ranges indicated in [Section 6.10 "Read/write targets accessible by the external host via SPI"](#). Other access attempts result in an error status as defined below.



**Note:** The SPI and the CPU share the internal address, data, and control bus, and are arbitrated such that the SPI takes priority over the CPU. The user application must account for inhibited execution of CPU instructions during the time the SPI has taken control of the internal bus.

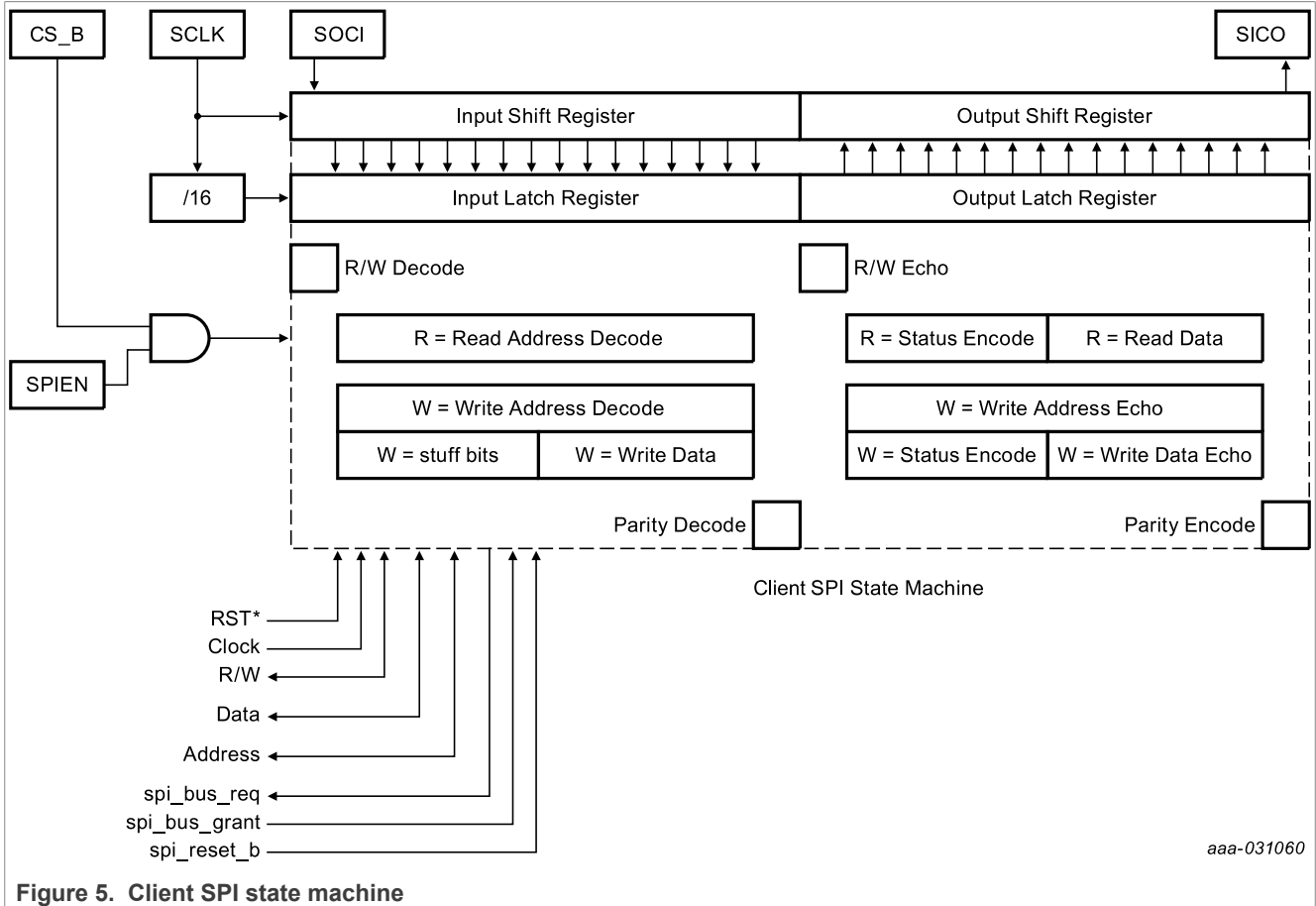


Figure 5. Client SPI state machine

Transaction event schedule; T1 being the first server transmission, R1 being the first client response being concurrent with T2 being the second server transmission:

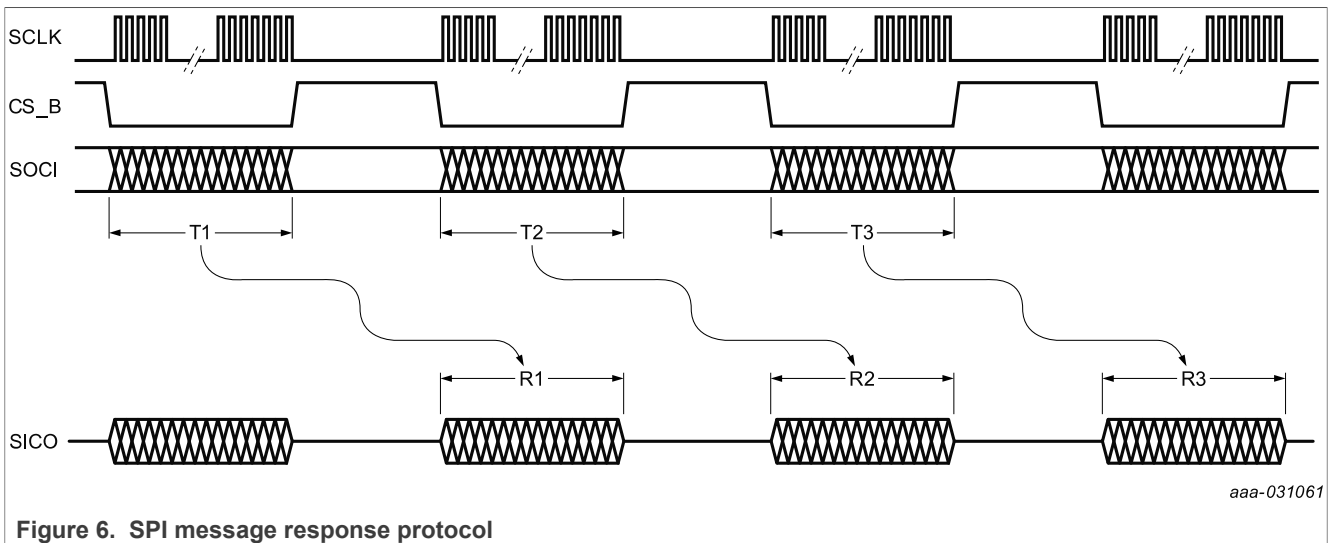


Figure 6. SPI message response protocol

6.2.1 SPI protocol definition

Table 5. SPI protocol architecture

Clock cycle		c1	c2	c3	c4	c5	c6	c7	c8	c9	c10	c11	c12	c13	c14	c15	c16
Bit assignment		b15	b14	b13	b12	b11	b10	b9	b8	b7	b6	b5	b4	b3	b2	b1	b0
Read byte from Address	T1	0	a12	a11	a10	a9	a8	a7	a6	a5	a4	a3	a2	a1	a0	p1	p0
	R0	r	s4	s3	s2	s1	s0	r	r	r	r	r	r	r	r	p1	p0
	T2	t	t	t	t	t	t	t	t	t	t	t	t	t	t	p1	p0
	R1	0	s4	s3	s2	s1	s0	d7	d6	d5	d4	d3	d2	d1	d0	p1	p0
Write byte to Address	T1	1	a12	a11	a10	a9	a8	a7	a6	a5	a4	a3	a2	a1	a0	p1	p0
	R0	r	s4	s3	s2	s1	s0	r	r	r	r	r	r	r	r	p1	p0
	T2	1	m	m	m	m	m	d7	d6	d5	d4	d3	d2	d1	d0	p1	p0
	R1	1	a12	a11	a10	a9	a8	a7	a6	a5	a4	a3	a2	a1	a0	p1	p0
	T3	t	t	t	t	t	t	t	t	t	t	t	t	t	t	p1	p0
	R2	1	s4	s3	s2	s1	s0	d7	d6	d5	d4	d3	d2	d1	d0	p1	p0

Where:

- c1 – c16 = SCLK cycles 1 (b15) through 16 (b0), most significant bit first, least significant bit last
- b15:0 = bit assignments for each clock cycle, b15 = 0 for read; b15 = 1 for write
- a12:0 = 13 LSBs of address being read or written; \$0000 to \$1FFF is direct; \$C000 to \$FFFF is indirect
- p1:0 = "Even" parity bits, p1 calculated for contents of b15:9; p0 calculated for contents of b8:2
- s4:0 = client status:
  - 0 0 0 0 0 = all OK, no need for retry.
  - 1 x x x x = reserved for future fault modes, default to 0 until defined
  - x 1 x x x =
    - the response in R0 for first T1 input after reset
    - in the case of commands ignored by SPI due to error in previous read command; that is, invalid data in response
    - in the case the write command did not execute
  - x x 1 x x = clock fault, not enough clocks, or too many clocks per CS\_B cycle
  - x x x 1 x = parity fault from either p1 or p0
  - x x x x 1 = internal bus contention fault, SPI does not gain access to peripheral bus in the prescribed time, or attempt access illegal or security-blocked address
- d7:0 = data being read or written
- t = contents of next server transmission T#+1
- m = server stuff bits, 0 or 1 by server choice, and included as part of parity calculation
- r = contents of previous client response R#-1

### 6.2.2 SPI signal timing definition

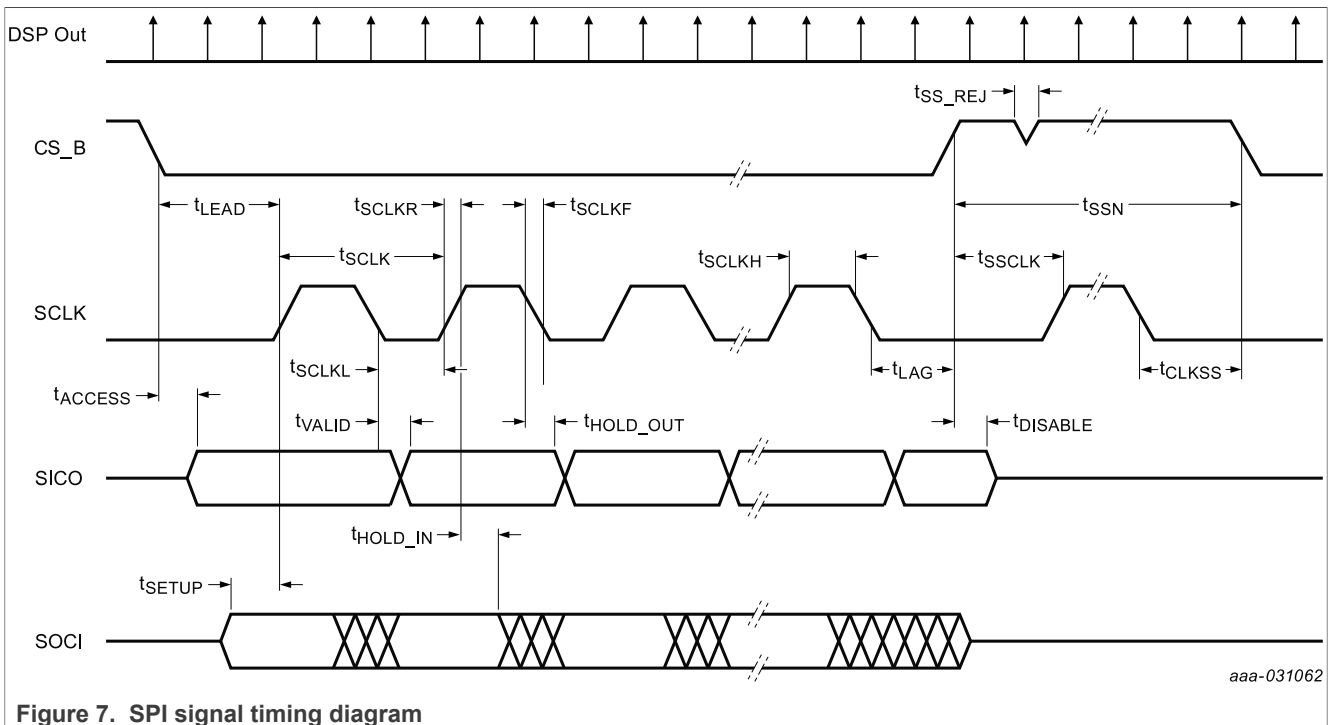


Figure 7. SPI signal timing diagram

Enable SPI by either of the following methods:

1. CPU application software sets the SPIEN control bit at address \$1802 to logic 1
2. At power application, an external host holds the PTA0 pin low for greater than the time  $t_{SPI\_EN}$

The user application must assure the SPI is not disabled by writing logic 0 to the SPIEN bit, or by entering a stop mode, during an ongoing transmission. SPI can be disabled when CS\_B signal is in the inactive state, or high.

### 6.3 Reading the firmware derivative and version number

#### 6.3.1 Firmware derivative and firmware version

The firmware derivative is a one-byte hexadecimal value allowing to differentiate between the different part numbers. It is equal to 0x85 for NBP8 devices and to 0x95 for NBP9 devices.

The firmware version number is a one-byte hexadecimal value indicating the version number of the firmware programmed in the NBP device.

The firmware derivative and firmware version number are programmed by NXP in the NBP flash at production and can be read by the host MCU via SPI under certain conditions. The firmware derivative and firmware version can be read by the host MCU only when BIT0 and BIT1 of SPIOPS register are both equal to 0, and BIT2 is equal to 1. In other words, when SPIOPS register is equal to value 0x04. Any attempt to read the firmware derivative and firmware version numbers while SPIOPS register is not equal to 0x04 will result in an incorrect reading of the derivative and version numbers.

The sequence to implement on the host MCU side to read the firmware derivative and firmware version is the following:

1. Send a READ BYTE command to SPIOPS address \$0038. The resulting 16-bit SPI command is equal to 0x00E1.
2. In the SPI response to the READ BYTE command, check the value of SPIOPS register:
  - If BIT2 of SPIOPS register is clear, this indicates that communication with the NBP has not been successfully established.
  - If BIT2 of SPIOPS is set, but BIT1 and/or BIT0 is also set, the host MCU should send a WRITE BYTE command to SPIOPS address \$0038 to write value 0x04. The resulting 16-bit SPI commands are equal to 0x80E3 followed by 0x8013.
  - If SPIOPS register is equal to 0x04, no further action on SPIOPS register is needed.
3. Send a READ BYTE command to SPI address \$0805 to read the firmware derivative. Send a READ BYTE command to SPI address \$0804 to read the firmware version. The resulting 16-bit SPI commands are equal to 0x2016 for the firmware derivative and 0x2013 for the firmware version. [Table 6](#) through [Table 10](#) detail the format of the commands and responses.

Table 6. 16-bit SPI command to read the NBP firmware derivative

16-bit command = 0x2016															
READ	Address = 0x0805													Parity	
0	a12	a11	a10	a9	a8	a7	a6	a5	a4	a3	a2	a1	a0	p1	p0
0	0	1	0	0	0	0	0	0	0	0	1	0	1	1	0

Table 7. 16-bit SPI command to read the NBP firmware version number

16-bit command = 0x2013															
READ	Address = 0x0804													Parity	
0	a12	a11	a10	a9	a8	a7	a6	a5	a4	a3	a2	a1	a0	p1	p0
0	0	1	0	0	0	0	0	0	0	0	1	0	0	1	1

When the 16-bit SPI command 0x2016 is sent to the NBP8, a possible 16-bit response is 0x0216, indicating that the firmware derivative is equal to 0x85.

Table 8. Example of SPI response from the NBP8 to the command 0x2016

16-bit response = 0x0216															
READ	Status = 0					Data = 0x85								Parity	
0	s4	s3	s2	s1	s0	d7	d6	d5	d4	d3	d2	d1	d0	p1	p0
0	0	0	0	0	0	1	0	0	0	0	1	0	1	1	0

When the 16-bit SPI command 0x2016 is sent to the NBP9, a possible 16-bit response is 0x0257, indicating that the firmware derivative is equal to 0x95.

Table 9. Example of SPI response from the NBP9 to the command 0x2016

16-bit response = 0x0257															
READ	Status = 0					Data = 0x95								Parity	
0	s4	s3	s2	s1	s0	d7	d6	d5	d4	d3	d2	d1	d0	p1	p0
0	0	0	0	0	0	1	0	0	1	0	1	0	1	1	1

When the 16-bit SPI command 0x2013 is sent to the NBP, a possible 16-bit response is 0x0018, indicating that the firmware version number is equal to 0x06.

Table 10. Example of SPI response from the NBP to the command 0x2013

16-bit response = 0x0018															
READ	Status = 0					Data = 0x06								Parity	
0	s4	s3	s2	s1	s0	d7	d6	d5	d4	d3	d2	d1	d0	p1	p0
0	0	0	0	0	0	0	0	0	0	0	1	1	0	0	0

In the examples of SPI response given above, the SPI status bits are equal to 0. In case the SPI response includes status bits different from 0, see [Section 6.2 "Serial peripheral interface \(SPI\) module"](#) to decode the status.

The host reading an SPI response equal to 0x0000 may indicate that communication has not been successfully established with the NBP device.

### 6.3.2 Hardware version numbers

The hardware version numbers are located in two bytes, both hexadecimal values indicating the version number of the bill-of-materials used to construct the sensor. Both are programmed in the NBP device.

The hardware version numbers are programmed by NXP in the NBP flash at production and can be read by the host MCU via SPI at addresses \$1542 and \$1543 under certain conditions.

Below tables detail the content of the data bytes stored at SPI addresses \$1542 and \$1543.

Table 11. Content of the hardware version byte at SPI address \$1542

BIT7	BIT6	BIT5	BIT4	BIT3	BIT2	BIT1	BIT0
MCU revision				Package revision			
0b1111 = 1st version 0b1110 = 1st revision 0b1101 = 2nd revision etc...				0b1111 = 1st version 0b1110 = 1st revision 0b1101 = 2nd revision etc...			

Table 12. Content of the hardware version byte at SPI address \$1543

BIT7	BIT6	BIT5	BIT4	BIT3	BIT2	BIT1	BIT0
Reserved				Pressure transducer			
<i>Note: Reserved bits may not all have the same value. Some bits may read as 1 and others as 0, and as such should be ignored until further notice.</i>				Pressure transducer 0b0000 = not present 0b1111 = 1st version 0b1110 = 1st revision 0b1101 = 2nd revision			

The hardware version numbers can be read by the host MCU only when BIT0, BIT1 and BIT2 of SPIOPS register are all equal to 1. In other words, when SPIOPS register is equal to value 0x07. Any attempt to read the hardware version numbers while SPIOPS register is not equal to 0x07 will result in an incorrect reading of the version numbers.

The sequence to implement on the host MCU side to read the hardware version numbers is the following:

- Send a READ BYTE command to SPIOPS address \$0038. The resulting 16-bit SPI command is equal to 0x00E1.
- In the SPI response to the READ BYTE command, check the value of SPIOPS register:
  - If BIT2 of SPIOPS register is clear, this indicates that communication with the NBP has not been successfully established.
  - If BIT2 of SPIOPS is set, but BIT1 and/or BIT0 is clear, the host MCU should send a WRITE BYTE command to SPIOPS address \$0038 to write value 0x07. The resulting 16-bit SPI commands are equal to 0x80E3 followed by 0x801F.
  - If SPIOPS register is equal to 0x07, no further action on SPIOPS register is needed.
- Send a READ BYTE command to SPI addresses \$1542 and/or \$1543. The resulting 16-bit SPI command is equal to 0x550A for address \$1542 and 0x550F for address \$1543. [Table 13](#) through [Table 16](#) detail the format of the commands and responses.

Table 13. 16-bit SPI command to read the NBP hardware version at SPI address \$1542

READ	Address = 0x1542													Parity	
16-bit command = 0x550A															
0	a12	a11	a10	a9	a8	a7	a6	a5	a4	a3	a2	a1	a0	p1	p0
0	1	0	1	0	1	0	1	0	0	0	0	1	0	1	0

Table 14. 16-bit SPI command to read the NBP hardware version at SPI address \$1543

READ	Address = 0x1543													Parity	
16-bit command = 0x550F															
0	a12	a11	a10	a9	a8	a7	a6	a5	a4	a3	a2	a1	a0	p1	p0
0	1	0	1	0	1	0	1	0	0	0	0	1	1	1	1

When the 16-bit SPI command 0x550A is sent to the NBP, a possible 16-bit response is 0x03FF, indicating that the package and MCU revisions are both first version.

Table 15. Example of SPI response from the NBP to the command 0x550A

16-bit response = 0x03FF															
READ	Status = 0					Data = 0xFF								Parity	
0	s4	s3	s2	s1	s0	d7	d6	d5	d4	d3	d2	d1	d0	p1	p0
						MCU revision				Package revision					
0	0	0	0	0	0	1	1	1	1	1	1	1	1	1	1

When the 16-bit SPI command 0x550F is sent to the NBP, a possible 16-bit response is 0x03FF, indicating that the pressure transducer revision is first version.

Table 16. Example of SPI response from the NBP to the command 0x550F

16-bit response = 0x03FF															
READ	Status = 0					Data = 0xFF								Parity	
0	s4	s3	s2	s1	s0	d7	d6	d5	d4	d3	d2	d1	d0	p1	p0
						Reserved				Pressure transducer					
0	0	0	0	0	0	1	1	1	1	1	1	1	1	1	1

In the examples of SPI response given above, the SPI status bits are equal to 0. In case the SPI response includes status bits different from 0, see [Section 6.2 "Serial peripheral interface \(SPI\) module"](#) to decode the status.

The host reading an SPI response equal to 0x0000 may indicate that communication has not been successfully established with the NBP device.

### 6.4 Main features

Table 17. List of the main software-implemented features

Feature	Description	Event occurrence	User configuration
Sensor Data Measurement	The NBP9 takes compensated pressure measurement and can notify the external host that sensor data is available or that measurement completed with errors. The last 12 pressure values are stored in memory.	Periodic	Enable/disable pulse generation when sensor data ready or when acquisition status flag is not clear
			Period selection (ODR)
Pressure Change Detection (PCD)	The NBP9 monitors the pressure change over time and notifies the external host if the pressure change conditions set by the user are met.	Pressure value is verified at the ODR rate	Pressure monitoring options selectable independently
			Programmable warning thresholds
			Programmable debounce counter
Self-test	The NBP9 performs self-test for the ADC and Pressure Measurement Cell (Pcell). In case of failed status, the NBP9 can notify the external host. The result of the last Self-test is stored in memory.	Periodic and/or punctual (triggered by the appropriate command written via SPI)	Enable/Disable periodic self-test
			If enabled, period selection
			Enable/disable pulse generation if an error is detected
Firmware Integrity Verification	The NBP9 calculates the 16-bit XOR checksum of the entire FLASH memory and compares it with the value stored at production. If values are different, the NBP9 can notify the external host. The result of the last firmware integrity verification is stored in memory.	Triggered by the appropriate command written via SPI	Enable/disable pulse generation if an error is detected
PWM Generation	The NBP9 generates a PWM signal with a duty cycle value that depends on the state of the error flags and latest pressure value.	Periodic in Normal mode. Triggered when an event requiring attention occurs.	Select the polarity of the PWM signal

### 6.5 State-transition diagram

Periodically, the NBP9 takes pressure measurements and completes a compensation. The result is then used for the pressure change detection. Optionally, the host can configure NBP9 to perform self-tests.

In Normal mode, the NBP9 generates four PWM periods before going to sleep.

In Eco mode, the NBP9 enters sleep directly.

The External host can request access to the NBP9 memory with the WAKE-UP pin. When the WAKE-UP pin is set low, the NBP9 enables SPI, asserts the READY pin, and remains in RUN mode while the SPI transfers have not completed. During the SPI transfers, the external host can perform read and write access to the

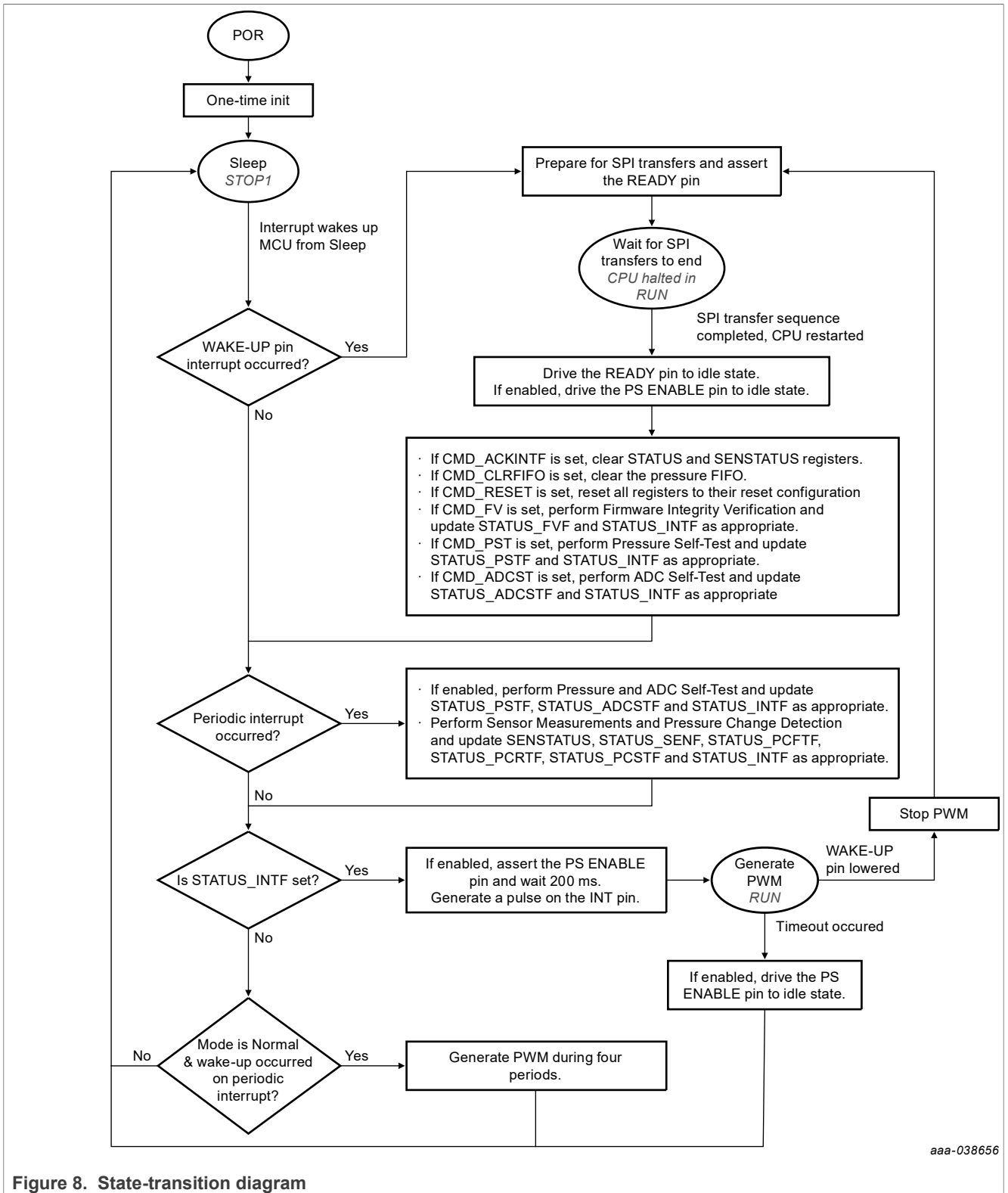
NBP9 memory (for example, to read status flags, sensor data or request specific actions to be performed after completion of the SPI transfers.)

After completion of the periodic and internally triggered actions, the NBP9 checks whether a condition for pulse generation was met. If so, the bit STATUS\_INTF is set, the NBP9 optionally asserts the PS ENABLE pin, triggers a pulse on the INT pin to notify the external host that an event requiring attention occurred and then generates a PWM signal until either the external host sets the WAKE-UP pin low to request SPI communication or a 2048 ms timeout occurs.

Typically, the external host accesses the NBP9 memory and reads the STATUS register to identify the event requiring attention. Depending on the type of event, additional registers (such as SENSTATUS, the pressure FIFO, and so forth) may also be read. To acknowledge the event, the external host must set the CDM\_ACKINTF bit.

[Figure 8](#) illustrates the state-transition diagram.





aaa-038656

Figure 8. State-transition diagram

## 6.6 Pressure change detection description

### 6.6.1 Overview

Pressure measurements are taken at a period configured by the user. The last 12 measurements are stored in the pressure FIFO. The pressure FIFO acts like a rolling buffer and is described later in this section.

Several options with configurable settings are available to monitor pressure variation and determine when the external host should be notified that pressure change conditions have been met. The following three options are available and can be enabled independently. When more than one option is enabled, the program checks whether at least one option has met the condition, and if so, raises the appropriate flags and notifies the external host via the INT pin.

- Option to monitor the pressure vs. a fixed threshold: If pressure value has exceeded the fixed threshold set by the user, the flag STATUS\_PCFTF is raised.
- Option to monitor the pressure vs. a relative threshold: The NBP9 monitors when pressure is rising and raises the STATUS\_PCRTF flag when the pressure increase  $\Delta$ Pressure has exceeded the relative threshold set by the user.
- Option to monitor the pressure rate of change vs. a rate of change threshold: The NBP9 monitors when pressure is rising. When pressure has been rising for a certain time, configured by the user, the slope  $\Delta$ pressure/ $\Delta$ time is calculated. If the slope is greater than the threshold configured by the user, the flag STATUS\_PCSTF is raised.

After each new sample taken, when the program has executed all algorithms of the enabled options, the STATUS\_INTF flag is raised if at least one of the pressure change STATUS flags (STATUS\_PCFTF, STATUS\_PCRTF or STATUS\_PCSTF) is raised. When STATUS\_INTF is set, the external host is notified that pressure change conditions have been met and is notified via the INT pin.

Each option is detailed in [Section 6.6.2](#) through [Section 6.6.5](#).

### 6.6.2 Description of the fixed threshold option

This option is enabled when bit PCCFG\_FTEN is set. When a new pressure measurement is available, the pressure value is compared with the fixed threshold Pfix\_T configured by the user. If the pressure value exceeds the threshold, the debounce counter Deb\_FT\_cnt is incremented. Otherwise, Deb\_FT\_cnt is decremented. When the Deb\_FT\_cnt exceeds the Debounce\_T value configured by the user, the STATUS\_PCFTF flag is raised.

The purpose of Deb\_FT\_cnt is to make sure that the flag is raised only after the condition has been met for a minimum number of samples. This filtering avoids the possibility of a false-alarm occurring when a single-measurement meets the condition due to a coincidental event, such as noise, affecting the measurement.

The algorithm flow is show in [Figure 9](#).

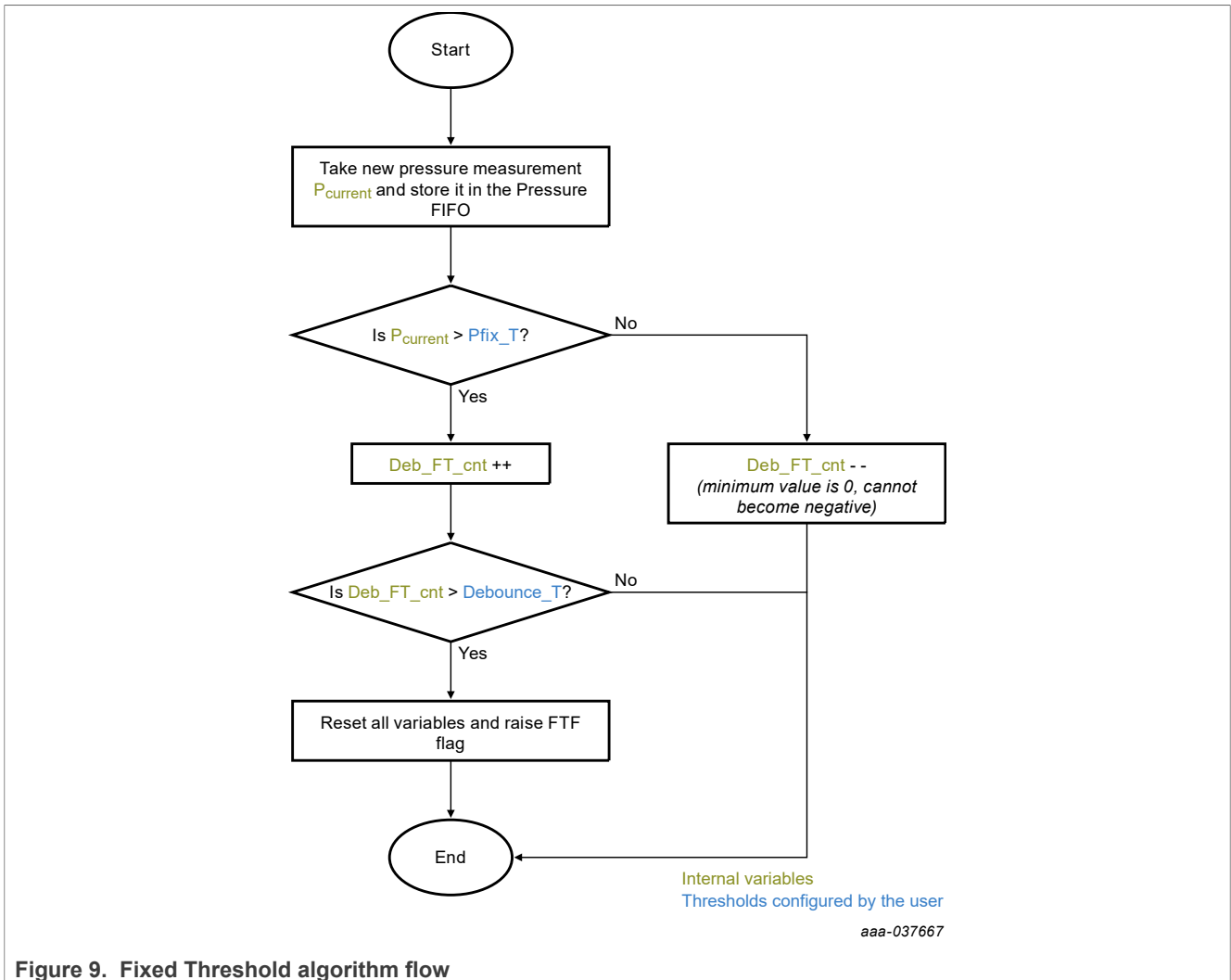


Figure 9. Fixed Threshold algorithm flow

The variables and thresholds used in the flow are described below:

- $P_{current}$ : variable internal to the NBP9 program that holds the latest pressure measurement.
- $P_{fix\_T}$ : user-configurable threshold. The value is stored in PCFIXTH/L registers. No flag is raised as long as pressure does not consistently exceed this threshold.
- $Deb\_FT\_cnt$ : counter internal to the NBP9 program updated every time a new pressure measurement is taken. The counter is incremented if the pressure exceeds the threshold  $P_{fix\_T}$ . It is decremented otherwise. When the counter reaches 0, it cannot be further decremented.
- $Debounce\_T$ : user-configurable threshold. The value is stored in PCDEBT register. When the value in  $Deb\_FT\_cnt$  exceeds this threshold, pressure is considered to be consistently above  $P_{fix\_T}$ , so the FTF flag is raised and external host notified.

An example of algorithm execution is shown in [Figure 10](#). In this example, the sample rate is set to 100 ms. The pressure FIFO depth is 12 measurements; the gray dots represent the pressure values not available in the FIFO anymore when the flag is raised; the black and green dots represent the pressure values available in the FIFO when the flag is raised; the green dot represents the latest pressure measurement added to the FIFO when the flag is raised.

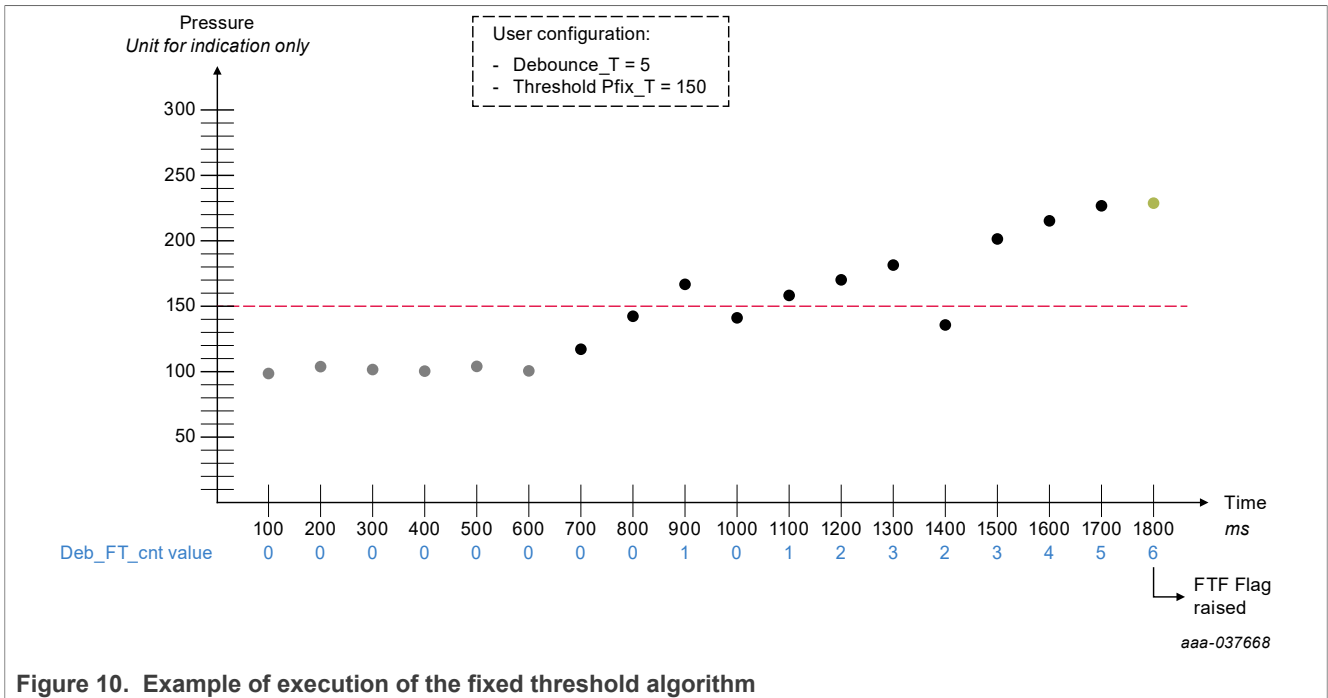


Figure 10. Example of execution of the fixed threshold algorithm

### 6.6.3 Description of the relative threshold option

The relative threshold option is enabled when bit PCCFG\_RTEN is set. The algorithm monitors pressure rising, and whether the pressure increase has exceeded the threshold set by the user. To check for pressure rise, the current pressure measurement  $P_{current}$  is compared with the previous measurement  $P_{previous}$ : the current measurement must be greater than the previous, by the number of counts  $Min\_T$ , configurable by the user. This check is to ensure that pressure is actually increasing, and that an increase of the pressure value is not due to sensor drift only. When pressure is increasing, that is, when  $P_{current} > P_{previous} + Min\_T$ , a counter  $Incr\_cnt$  is incremented. It is decremented otherwise.

If pressure has been rising, the pressure increase  $\Delta P = P_{current} - P_{ref}$  is compared with the user threshold  $Prel\_T$ . If greater, the counter  $Deb\_RT\_cnt$  is incremented. Otherwise,  $Deb\_RT\_cnt$  is decremented. When  $Deb\_RT\_cnt$  is greater than the user threshold  $Debounce\_T$ , a flag is raised.

If both the  $Deb\_RT\_cnt$  and  $Incr\_cnt$  are equal to 0, the current pressure value  $P_{current}$  is set as the reference value  $P_{ref}$ .

The purpose of  $Deb\_RT\_cnt$  is to make sure that the flag is raised only after the condition has been met for a minimum number of samples. This filtering avoids the possibility of a false-alarm occurring when a single-measurement meets the condition due to a coincidental event, such as noise, affecting the measurement.

The algorithm flow is shown in [Figure 11](#).

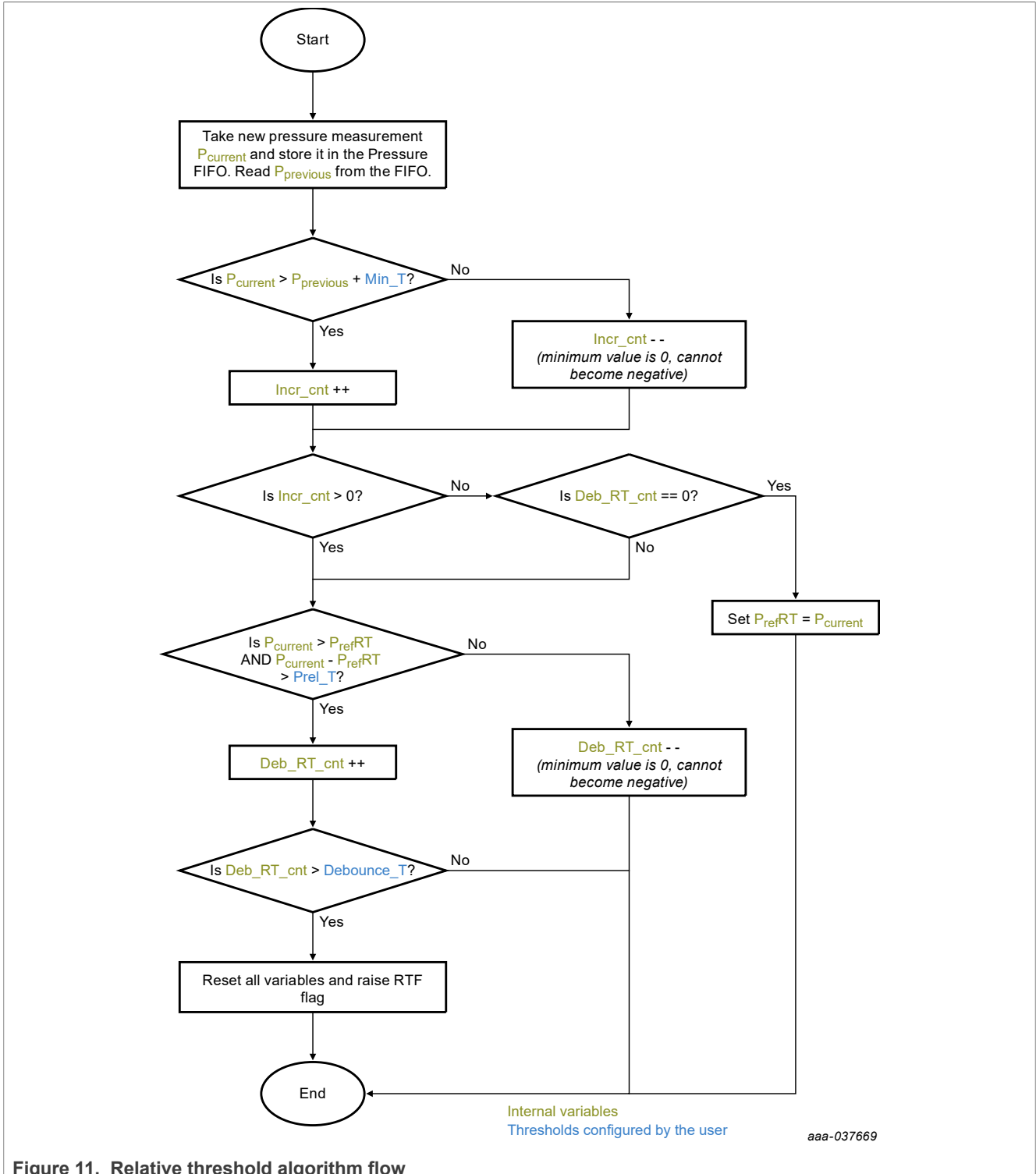


Figure 11. Relative threshold algorithm flow

The variables and thresholds used in the flow are described below:

- $P_{current}$ : variable internal to the NBP9 program that holds the latest pressure measurement.
- $P_{previous}$ : variable internal to the NBP9 program that holds the previous pressure measurement.
- $P_{refRT}$ : variable internal to the NBP9 program that stores the last pressure value before the pressure started to rise.

- **Min\_T**: user-configurable threshold that defines the minimum number of counts by which the current pressure value must exceed the previous pressure value, for the NBP9 program to consider that the pressure is rising. The value is stored in PCMINT register.
- **Incr\_cnt**: variable internal to the NBP9 incremented when pressure is rising, and decremented otherwise.
- **Prel\_T**: user-configurable threshold. When pressure is rising, the pressure increase  $\Delta P = P_{\text{current}} - P_{\text{refRT}}$  is compared with Prel\_T. If the pressure increase exceeds Prel\_T, the debounce counter is incremented. It is decremented otherwise. The value is stored in PCRELTH/L registers.
- **Deb\_RT\_cnt**: counter internal to the NBP9 program incremented when the pressure increase exceeds the Prel\_T. If pressure is still rising but the pressure increase remains below Prel\_T, Deb\_RT\_cnt is decremented. When the counter reaches 0, it cannot be further decremented.
- **Debounce\_T**: user-configurable threshold. When the value in Deb\_RT\_cnt exceeds this threshold, the pressure increase is considered to be consistently above Prel\_T, so the RTF flag is raised and external host notified. The value is stored in PCDEBT register.

Figure 12 shows an example algorithm execution. In this example, the sample rate is set to 100 ms. The pressure FIFO depth is 12 measurements; the gray dots represent the pressure values not available in the FIFO anymore when the flag is raised; the black and green dots represent the pressure values available in the FIFO when the flag is raised; the green dot represents the latest pressure measurement added to the FIFO when the flag is raised.

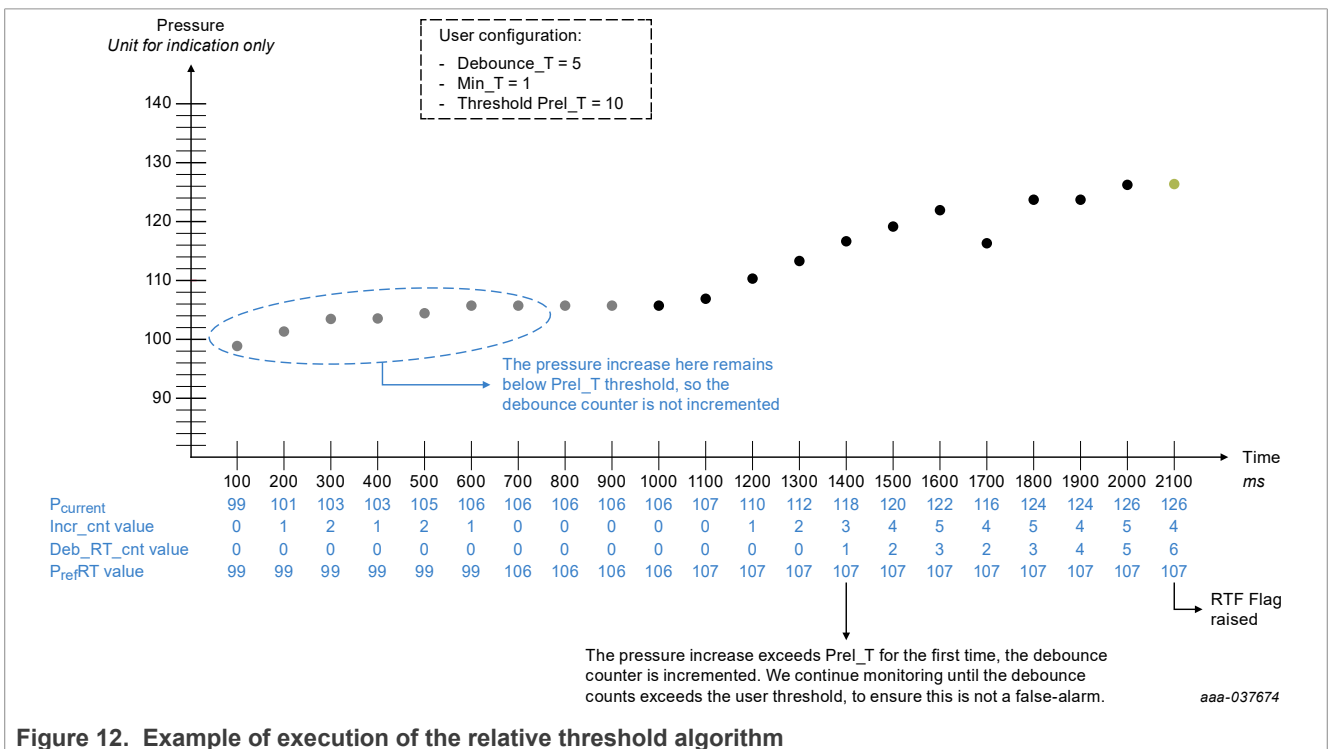


Figure 12. Example of execution of the relative threshold algorithm

### 6.6.4 Description of the rate of change threshold option

This option is enabled when PCCFG\_STEN is enabled. When a new measurement  $P_{\text{current}}$  is taken, it is compared with the previous value  $P_{\text{previous}}$ . The current measurement must be greater than the previous, by the number of counts **Min\_T**, configurable by the user, to consider that the pressure is rising. This check is to ensure that pressure is actually increasing, and that an increase of the pressure value is not due to sensor drift only. When pressure is increasing, that is, when  $P_{\text{current}} > P_{\text{previous}} + \text{Min}_T$ , the counter **Deb\_ST\_cnt** is incremented. It is decremented otherwise. When **Deb\_ST\_cnt** exceeds the threshold value **Debounce\_T** set by the user,

the Slope =  $\Delta\text{pressure}/\Delta\text{time}$  is calculated and compared with the threshold Slope\_T configured by the user. If Slope > Slope\_T then a flag is raised.

The algorithm flow is shown in Figure 13.

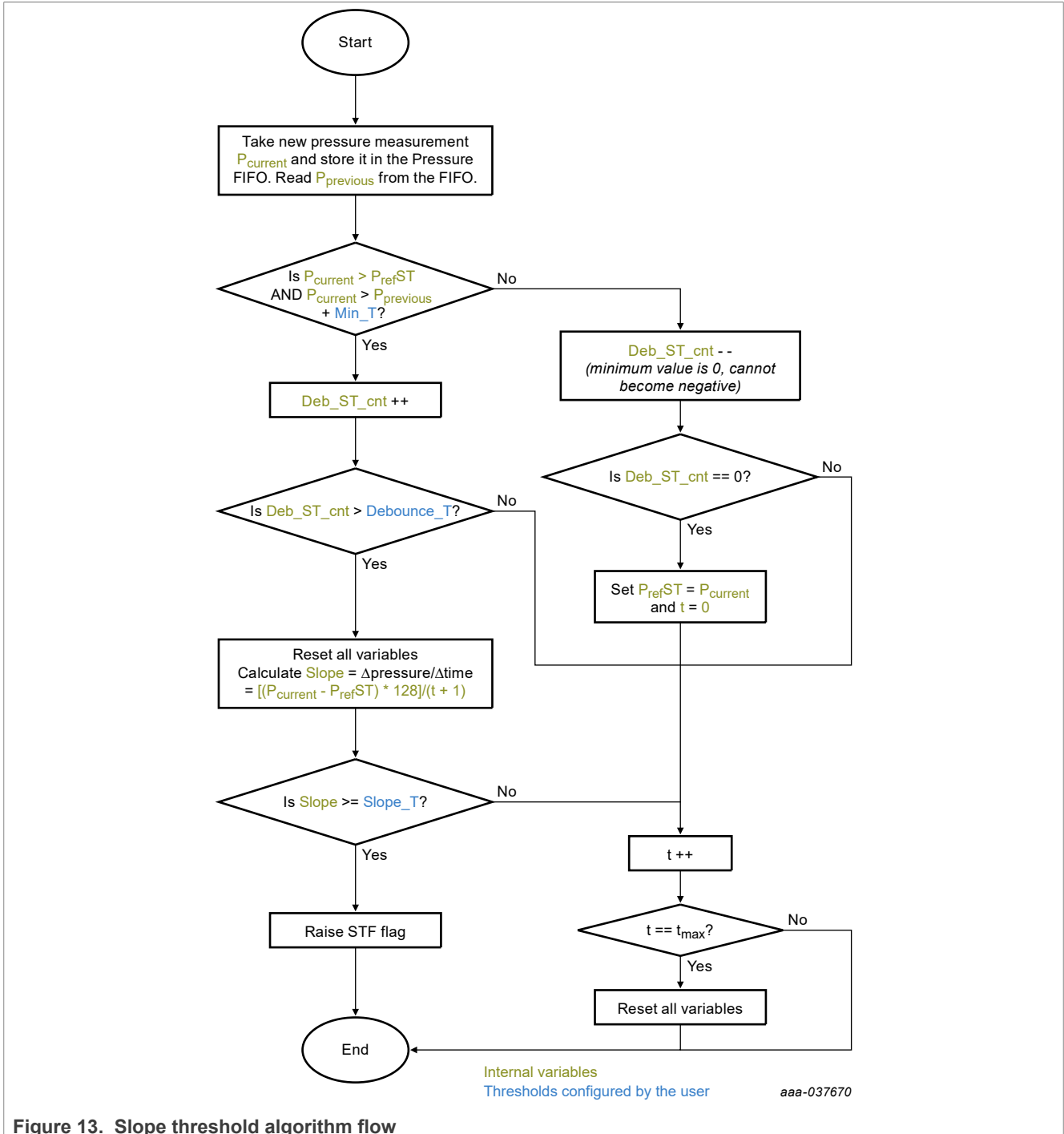


Figure 13. Slope threshold algorithm flow

The different variables and thresholds correspond to the following:

- P<sub>current</sub>: variable internal to the NBP9 program that holds the latest pressure measurement. Pressure measurements are taken at a sample rate configured by the user.
- P<sub>previous</sub>: variable internal to the NBP9 program that holds the previous pressure measurement.

- $P_{ref}$ : variable internal to the NBP9 program that stores the last pressure value before the pressure started to rise.
- $t$ : 16-bit variable internal to the NBP9 that is incremented periodically at the pressure sample rate when the pressure has been rising (that is, when  $Deb\_ST\_cnt$  is greater than 0) to keep track of the number of sampling periods during which pressure has been rising.  
If  $t$  value reaches its maximum value 65535, the pressure has been increasing over the last 65535 sampling periods but the Debounce counter has not reached the Debounce threshold. Reaching a  $t$  value of 65535 only happens if the Debounce threshold is set to a very high value and pressure increases extremely slowly. When such a situation occurs, the process resets in order to avoid rollover and a potentially incorrect slope calculation.
- $Min\_T$ : user-configurable threshold that defines the minimum number of counts by which the current pressure value must exceed the previous pressure value, for the NBP9 program to consider that the pressure is rising. The value is stored in  $PCMINT$  register.
- $Deb\_ST\_cnt$ : counter internal to the NBP9 program updated every time a new pressure measurement is taken. The counter is incremented if the pressure is considered to be increasing, following the condition described above. It is decremented otherwise. When the counter reaches 0, it cannot be further decremented.
- $Debounce\_T$ : user-configurable threshold. The value is stored in  $PCDEBT$  register. When the value in  $Deb\_ST\_cnt$  exceeds this threshold, the pressure increase is considered consistent and the slope of pressure versus time is calculated to check whether the pressure increase should be notified to the external host.
- Slope: variable internal to the NBP9 program that holds the value of the scaled slope  $(P_{current} - P_{ref}) * 128 / (t + 1)$ .  
The coefficient 128 provides improved precision in the slope calculation since all calculations are computed with integer values. Examples of slope calculation are provided in the description of the  $PCSLOPETH/L$  registers.
- $Slope\_T$ : user-configurable threshold. The value is stored in  $PCSLOPETH/L$  registers. When the value in Slope exceeds this threshold, the pressure increase is considered significant and the NBP9 raises the Pressure Change Detection flag before notifying to the external host that an event requiring attention occurred.

[Figure 14](#) shows an example algorithm execution. In this example, the sample rate is set to 50 ms. The Pressure FIFO depth is 12 measurements; the gray dots represent the pressure values not available in the FIFO anymore when the flag is raised; the black and green dots represent the pressure values available in the FIFO when the flag is raised; the green dot represents the latest pressure measurement added to the FIFO when the flag is raised.



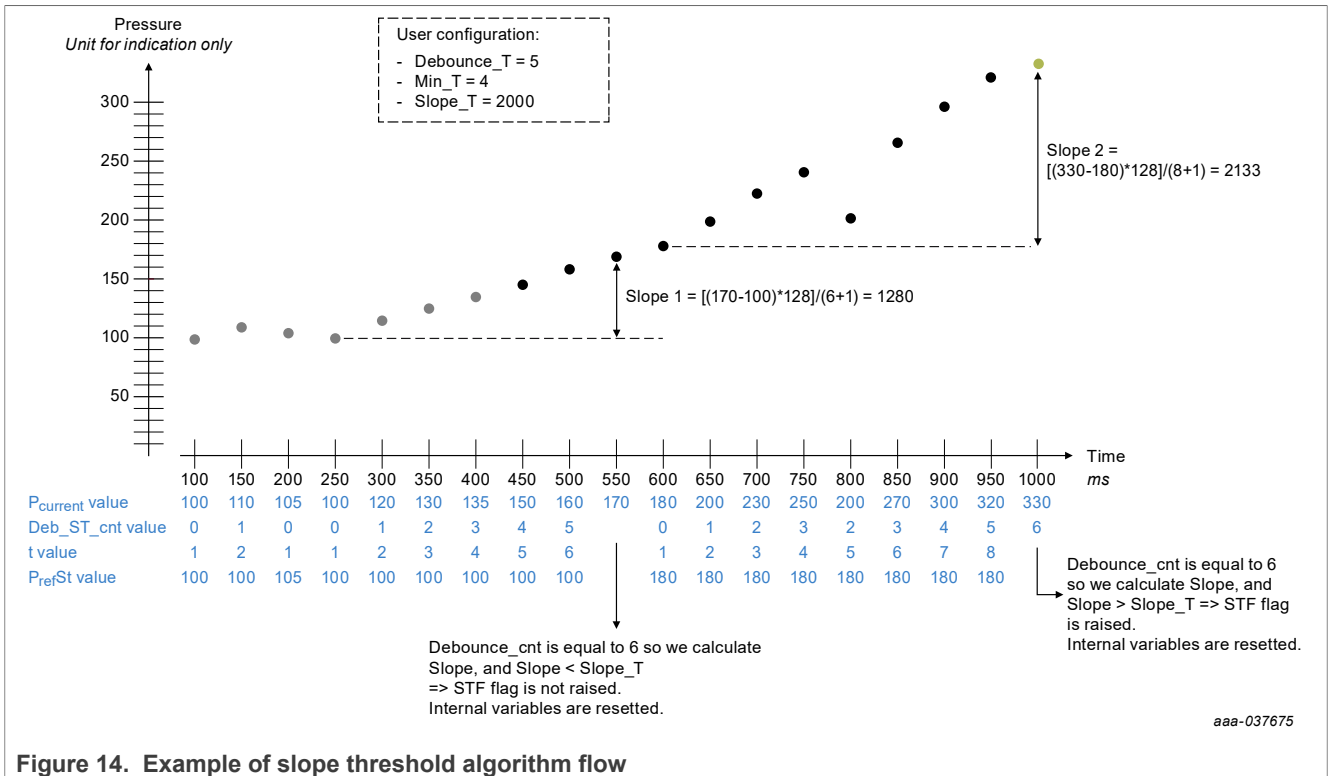


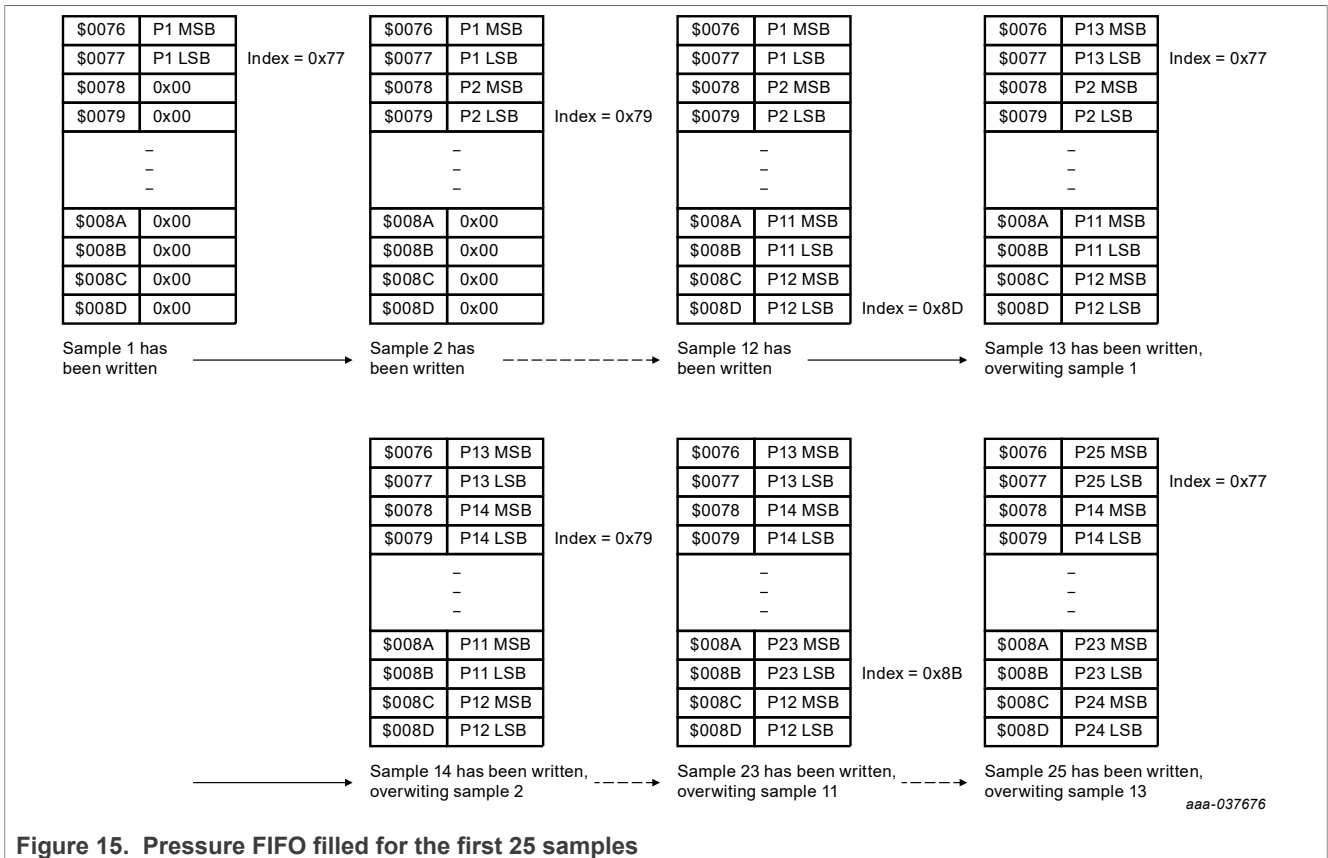
Figure 14. Example of slope threshold algorithm flow

### 6.6.5 Description of the pressure FIFO

The last twelve pressure measurements are stored in the pressure FIFO. Pressure measurements are stored on two bytes, so the FIFO depth is 24 bytes. The FIFO is implemented as a rolling buffer: the most recent pressure measurement overwrites the oldest one. An 8-bit index INDFIFO holds the value of the last address written.

The FIFO starts at address \$0076 and ends at address \$008D. Addresses that have not yet been written contain the value 0x00. Measurements are written from the lower to the higher addresses, Most Significant Byte first. When the highest address has been written, the next sample is written at the lowest address.

Figure 15 shows how the program fills FIFO, for the first 25 samples. The index value after the sample P<sub>n</sub> - the nth sample - has been written is also indicated.



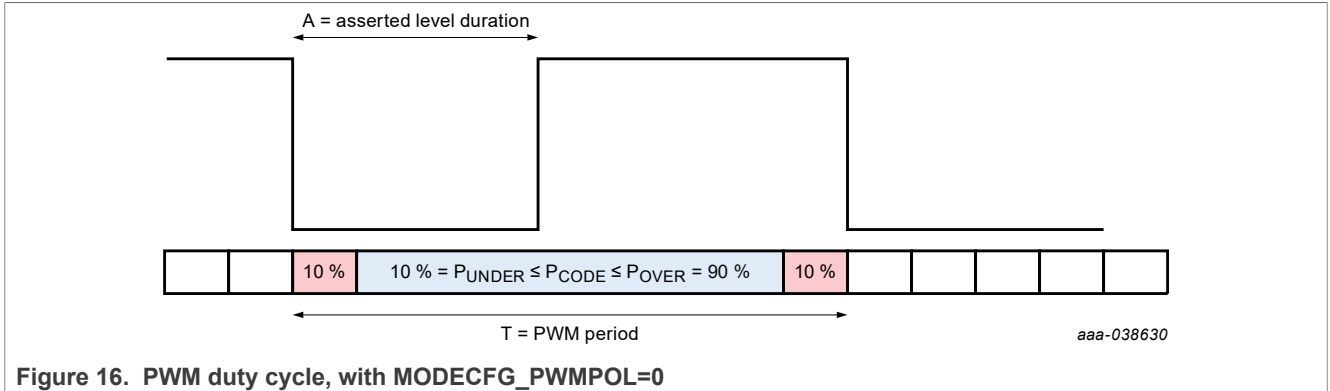
## 6.7 PWM generation

### 6.7.1 Conditions for PWM generation

The NBP9 generates a PWM signal in two cases:

- A condition for pulse generation was met (that is, an event requiring attention occurred). In this case, the NBP9 asserts the PS ENABLE signal (if enabled) and generates a pulse on the INT pin. The NBP9 continues generating the PWM signal until either the External host sets the WAKE-UP pin low or the 2048 ms timeout occurs.
- In Normal mode, after the periodic actions have been performed and no event requiring attention occurred. In this case, the NBP9 generates a PWM signal during four periods then goes to sleep.

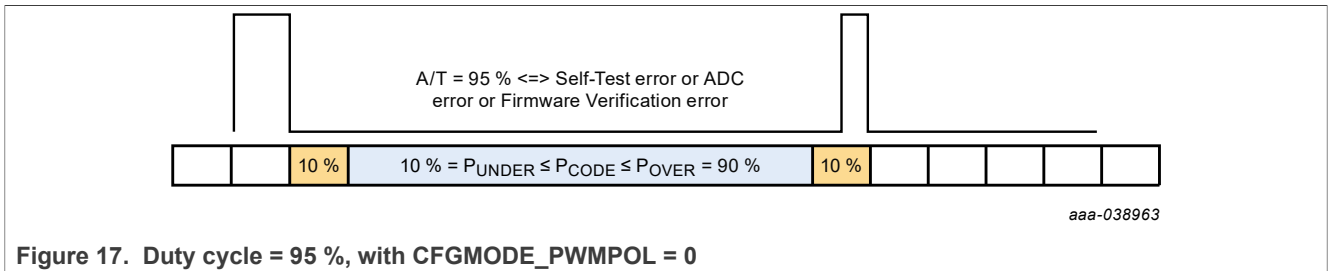
The PWM frequency is 100 Hz, so one PWM period lasts 10 ms typical. The PWM resolution is 8  $\mu$ s typical. The PWM duty cycle depends on the error flags raised and the value of the latest pressure measurement, as described below. The PWM duty cycle is defined as the ratio of A/T. (See [Figure 16](#)) The polarity of the PWM signal is configurable with the bit MODECFG\_PWMPOL.



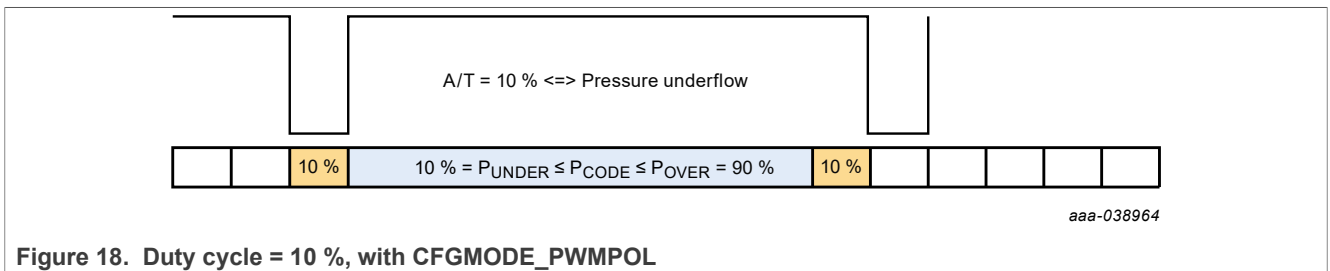
6.7.2 PWM duty cycles

The following duty cycles are implemented:

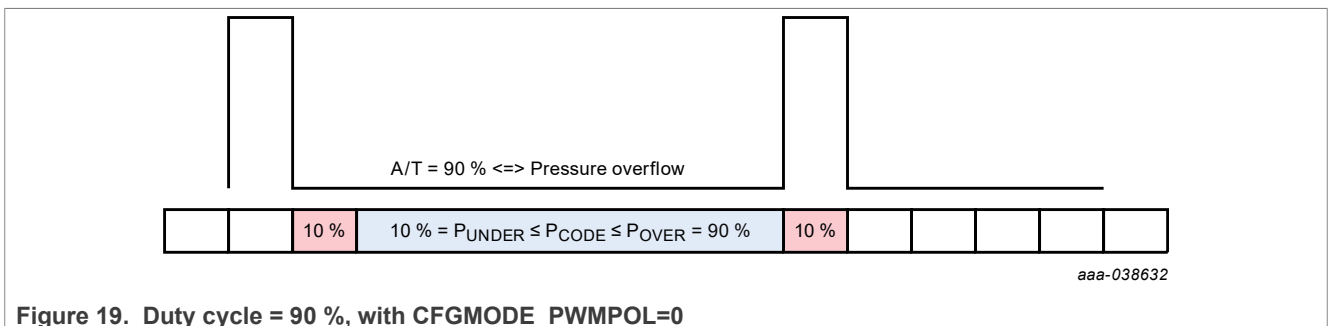
- Duty cycle = 95 % – an ADC error, a self-test error, or a firmware verification error has occurred. Pressure value may not be valid.



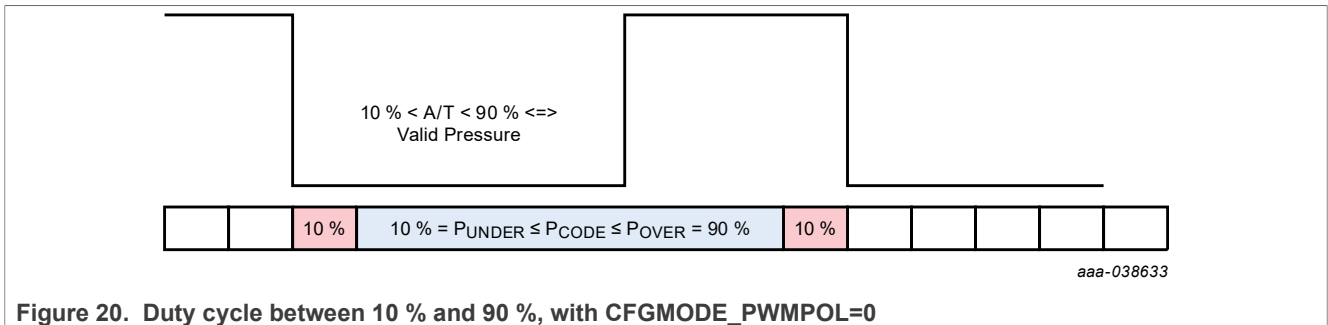
- Duty cycle = 10 % – a pressure underflow has occurred:  $P_{CODE} = P_{UNDER}$ .



- Duty cycle = 90 % – a pressure overflow has occurred:  $P_{CODE} = P_{OVER}$ .



- Duty cycle between 10 % and 90 % – a valid pressure value:  $P_{MIN} \leq P_{CODE} \leq P_{MAX}$ .



The external host may convert from duty cycle to Pcode, the compensated pressure value in counts, using the formula:  $P_{CODE} = A/T * 1280 - 128$

Example: if the external host measures A = 6.6 ms and a T = 10.2 ms, then Pcode = 6.6/10.2 \* 1280 – 128 = 700 counts.

**Note:** To view the values of  $P_{UNDER}$ ,  $P_{OVER}$ ,  $P_{MIN}$ , and  $P_{MAX}$ , and to convert  $P_{CODE}$  values into kPa, see [Table 69](#).

## 6.8 SPI transfer sequence

### 6.8.1 SPI transfer requested by the external host via the WAKE-UP pin

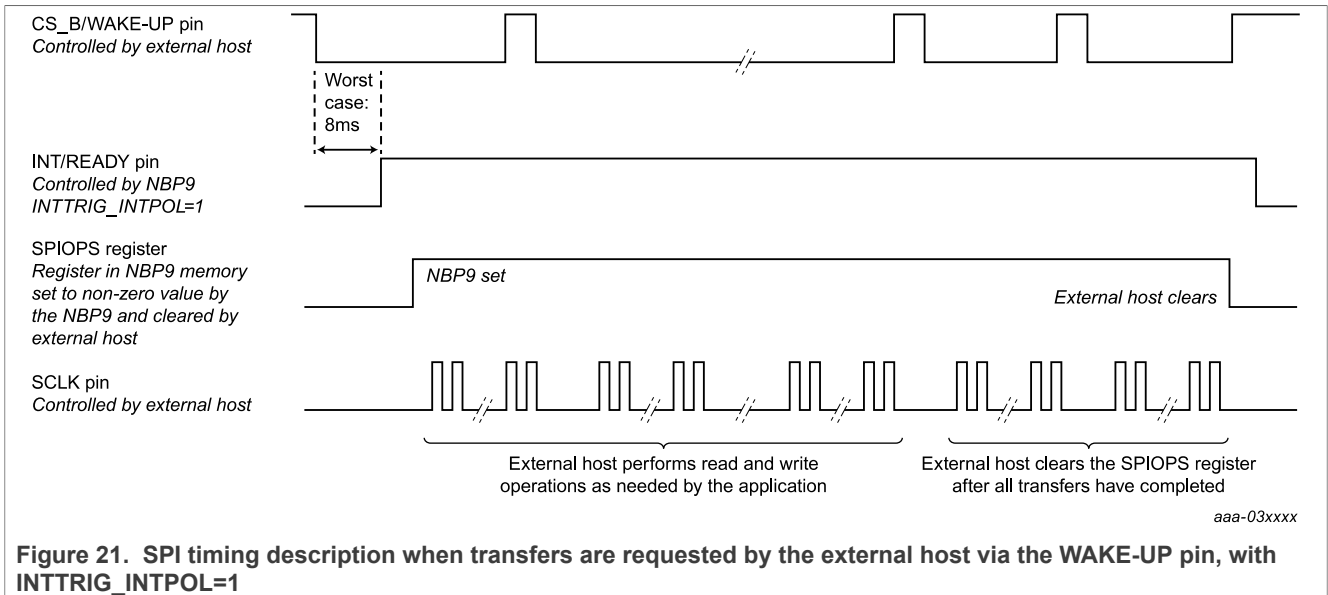
At any time, the external host can request SPI communication by lowering the WAKE-UP pin, which triggers an interrupt on the NBP9 side. When the NBP9 is ready for the transfers, it asserts the READY pin. The polarity of the READY/INT pin is configured with the bit INTTRIG\_INTPOL. After asserting the READY pin, the NBP9 writes in the SPIOPS register to halt itself, in order to avoid any memory access contention with the SPI server. Note the NBP9 remains halted for a maximum of 2048 ms (SPI timeout), so the duration of the transfers should not exceed this time. The SPI server should poll the READY pin and start the SPI transfers only after this pin was asserted by the NBP9. During the SPI transfers, the SPI server can perform read and write access to the NBP9 memory. The list of addresses relevant for the application is given later in this document.

The external host reading SPI responses always equal to 0x0000 may indicate that SPI transfers have been started while the NBP9 was generating a pulse on the INT pin, when SPI was not enabled yet. If such event occurs, the external host must wait for the pulse generation to complete and the PWM signal to be generated before lowering the WAKE-UP pin again. The external host can verify that the NBP9 is ready for SPI communication by reading SPIOPS register. If BIT2 of SPIOPS register is set, the NBP9 is ready for SPI communication. On the other hand, if BIT2 is clear, the NBP9 is not ready yet.

If the NBP9 wakes up from the CS\_B being driven low and then back to high state by the external host, the SPI status indicates the clock fault status due to the missing SCLK cycles. Therefore, the external host must treat the first command as a dummy to clear the SPI error status. Normal responses will remain after the first successful SPI command. More details are provided in the paragraphs below [Figure 21](#).

When the SPI server has completed all read and write accesses, it should perform a last write access to the NBP9 memory in order to clear the SPIOPS register. After the register has been cleared, the NBP9 resumes operation and drives the READY pin to inactive state before disabling the SPI block. If the SPI server does not clear the SPIOPS register, the NBP9 will automatically resume operations after the timeout duration.

The timing is described in [Figure 21](#).



**Note:** [Figure 21](#) shows that the CS\_B / WAKE-UP pin is held low by the external host from the moment the external host lowers the pin to request a transfer, until the end of the first SPI transfer. In reality, the actual sequence implemented by the external host may be different, taking into account the possible software implementation described below.

To trigger the transfer request, the external host application may configure the CS\_B / WAKE-UP pin as GPIO output low, and hold the pin in low state while polling the NBP9 READY pin. When the READY pin is asserted by the NBP9, the external host can start the SPI transfers. To start the transfers, the external host application must configure the CS\_B / WAKE-UP signal as an SPI as the CS\_B function. At that moment, the SPI transfers have not yet started and the CS\_B / WAKE-UP may be driven back to high state by the external host hardware SPI block, before being driven low again when the first transfer starts.

The sequence means there may be a duration during which the CS\_B / WAKE-UP pin is driven to low state and then back to high state again, before the SPI transfers start, as illustrated in [Figure 22](#) below. The NBP9 logic considers this duration as a failed SPI transfer due to a clock fault error (CS\_B pin lowered but no SCLK signal). After generating a clock fault error, the NBP9 needs one 16-bit transfer to clear the error before continuing normal operations. Consequently, the command inside the first 16-bit transfer performed by the external host is ignored by the NBP9. The first transfer is used by the NBP9 to clear the clock fault error only. So, the external host has to consider the first transfer to be a dummy transfer, during which the command is not taken into account. It is only from the second transfer that the READ or WRITE commands are processed by the NBP9.

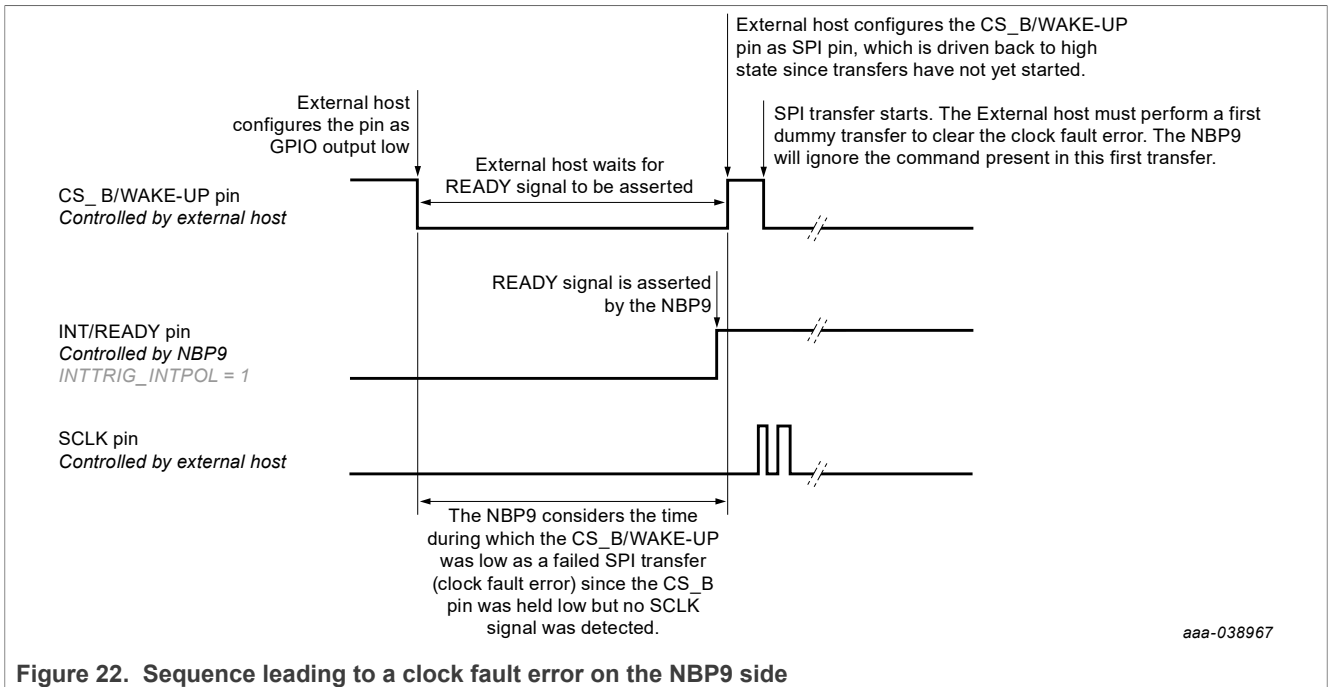


Figure 22. Sequence leading to a clock fault error on the NBP9 side

### 6.8.2 SPI transfer requested by the NBP9, when an event requiring attention occurred

When an event requiring attention has occurred, the NBP9 notifies the external host in order to establish SPI communication. For that, the NBP9 generates a pulse on the INT pin. If PS ENABLE pin is enabled in the PINCFG register, the NBP9 asserts PS ENABLE pin and waits 200 ms before generating the pulse on the INT pin. The polarity and duration of the pulse are configured with INTRIG\_INTPOL and INTRIG\_INTDUR bits. Following the pulse, the NBP9 generates a PWM signal until the external host lowers the CS\_B/WAKEUP pin or until the 2048 ms timeout occurs. When the CS\_B/WAKEUP pin is lowered by the external host, the NBP9 stops generating the PWM, enables SPI, asserts the INT/READY pin and writes in the SPIOPS register to halt itself, in order to avoid any memory access contention with the SPI server. Note that the NBP9 remains halted for a maximum of 2048 ms (SPI timeout), so the duration of the transfers should not exceed this time.

After lowering the CS\_B/WAKEUP pin, the external host should wait for the assertion of the INT/READY pin before starting the SPI transfers. The sequence implemented is the same as the one shown in Figure 22. As a result, the NBP9 sees a clock fault error and discards the first SPI transfer to clear the error. The external host must therefore treat the first command as dummy in order to clear the SPI error in the NBP9.

During the SPI transfers, the SPI server can perform read and write access to the NBP9 memory. The list of addresses relevant for the application is given later in this document. Typically, the external host would start by reading the STATUS register in order to know the origin of the event. The external host must set the CMD\_ACKINTF bit to acknowledge the flags, which will be cleared by the NBP9 after completion of the SPI transfers.

When the SPI server has completed all read and write accesses, it should perform a last write access to the NBP9 memory in order to clear the SPIOPS register. After the register has been cleared, the NBP9 resumes operation and drives the INT/READY pin back to idle state. If the SPI server does not clear the SPIOPS register, the NBP9 will automatically resume operation and drive the INT/READY pin back to idle state after the timeout duration.

The timing is shown in Figure 23.

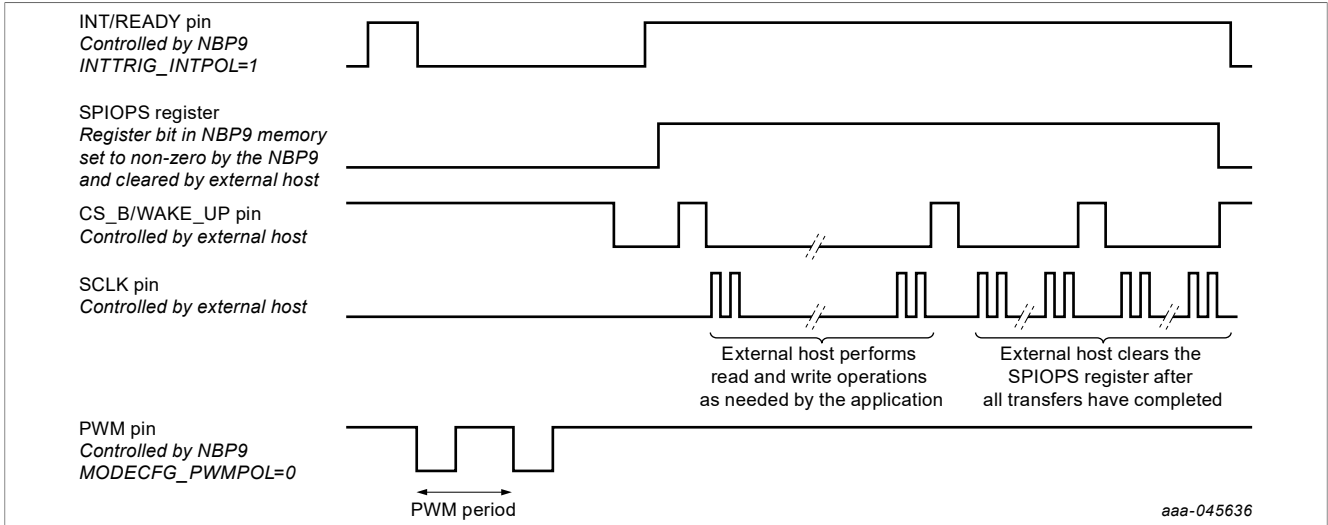


Figure 23. SPI timing description when transfers are requested by the NBP9 via the INT pin, with  $INTTRIG\_INTPOL=1$  and  $MODECFG\_PWMPOL=0$

Figure 24 shows the case where PS ENABLE pin is enabled.

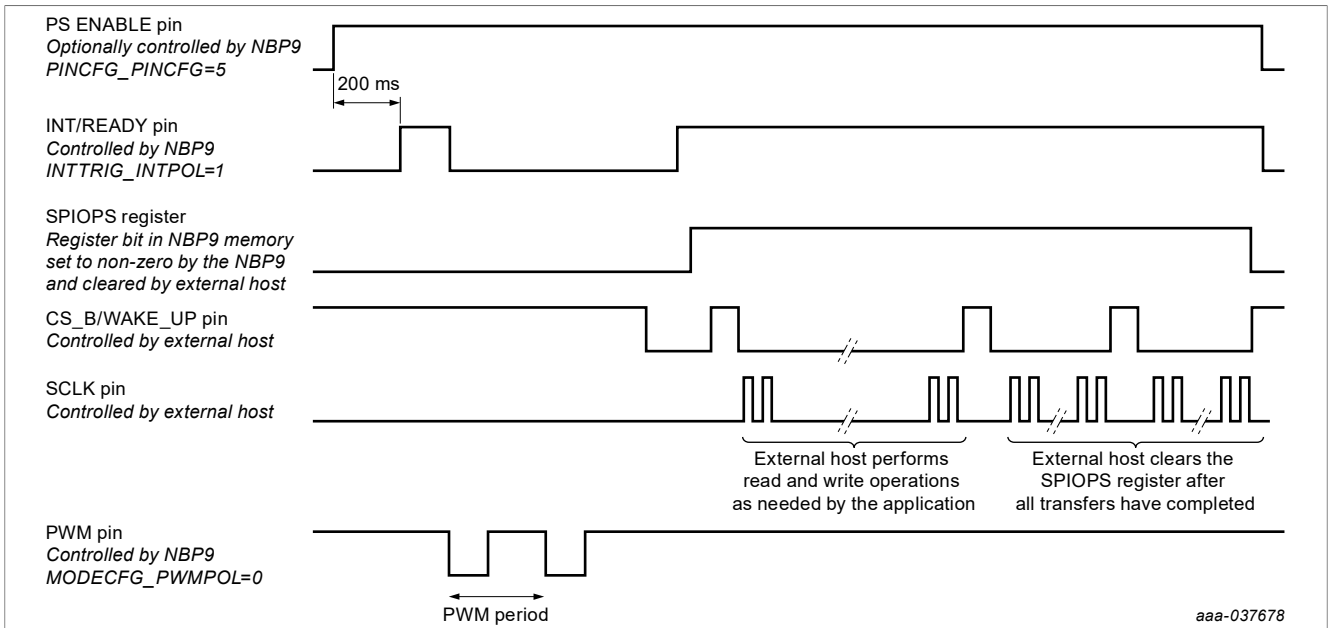


Figure 24. SPI timing description when transfers are requested by the NBP9 via the INT pin, with  $PINCFG\_PINCFG=5$ ,  $INTTRIG\_INTPOL=1$  and  $MODECFG\_PWMPOL=0$

## 6.9 Typical sequence timings

### 6.9.1 Periodic events

Two modes—Eco mode and Normal mode—can be selected with the bit  $MODECFG\_MODE$ .

- When  $MODECFG\_MODE$  is set to 0, Eco mode is selected. In this mode, self-test, sensor measurements, and pressure change detection are performed periodically every 500 ms. The Figure below illustrates the sequence of events when no event requiring attention occurs.

The execution time of the self-test, sensor measurements, and pressure change detection is indicated at the end of this section. The power consumption of sensor measurements is indicated in [Table 62](#)

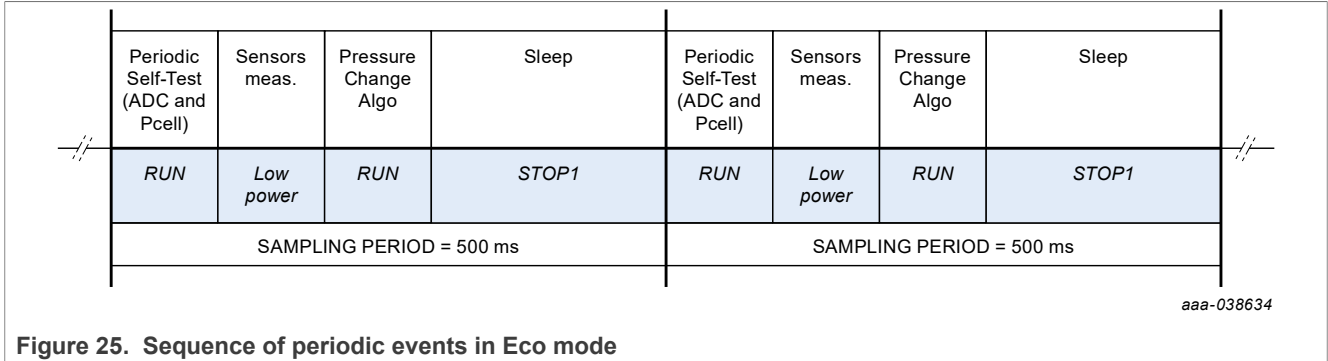


Figure 25. Sequence of periodic events in Eco mode

- When MODECFG\_MODE is set to 1, Normal mode is selected. In this mode, self-test, sensor measurements, and pressure change detection are performed periodically every 50 ms. After that, a PWM signal is generated during four PWM periods, corresponding to a duration of 40 ms. The Figure below illustrates the sequence of events when no event requiring attention occurs.

The execution time of the self-test, sensor measurements, and pressure change detection is indicated at the end of this section. The power consumption of sensor measurements is indicated in [Table 62](#)

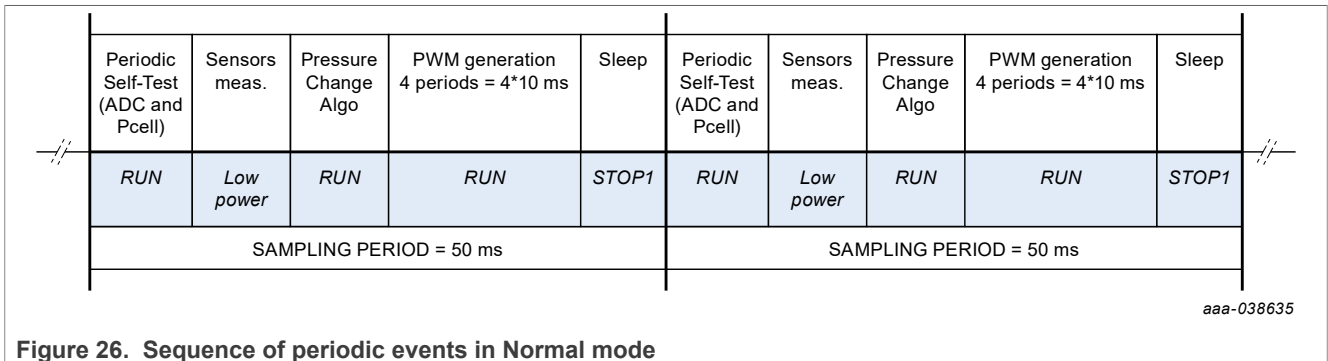


Figure 26. Sequence of periodic events in Normal mode

### 6.9.2 Notification of an event requiring attention

When an event requiring attention occurs, the NBP9 asserts the PS ENABLE pin (if enabled) and generates a pulse on the INT pin. The device continues generating a PWM signal until the external host lowers the WAKE-UP pin to request SPI transfer or a timeout occurs. It is expected that the External MCU requests SPI communication by lowering the WAKE-UP pin during PWM generation. The resulting sequence is illustrated in the figure below.



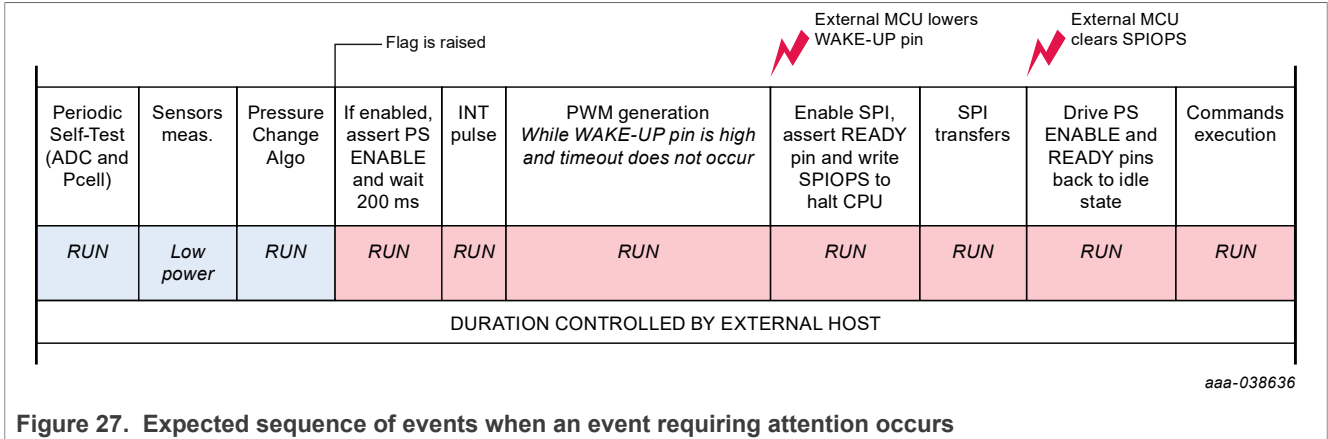


Figure 27. Expected sequence of events when an event requiring attention occurs

Using the INTTRIG\_INTDUR bit, the user configures the duration of the INT pulse. The duration of the SPI transfers depends on the SPI baud rate configured on the external host side and the number of transfers performed. During the SPI transfers, the external host must acknowledge the event by setting the CMD\_ACKINTF bit. After the external MCU cleared the SPIOPS register, the NBP9 executes the commands requested by the external host and then resumes the periodic sequence described in [Section 6.9.1 "Periodic events"](#), starting with the sleep action.

The execution time of the commands performed by the NBP9 is indicated at the end of the section.

If the external host does not lower the WAKE-UP pin to request SPI transfers, the NBP9 generates the PWM signal until the timeout occurs. After the timeout, the NBP9 enters sleep before restarting the sequence.

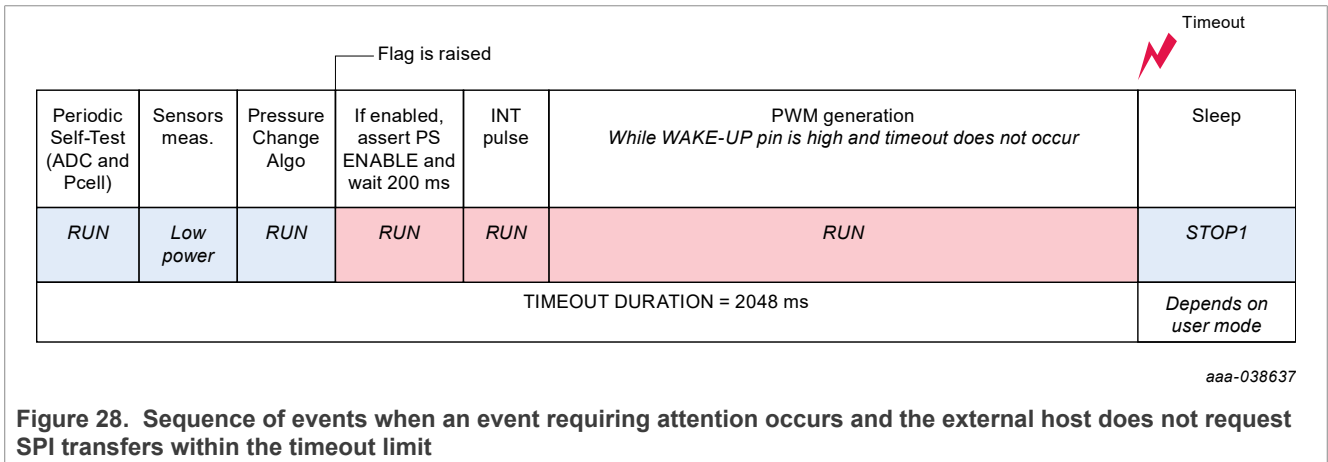


Figure 28. Sequence of events when an event requiring attention occurs and the external host does not request SPI transfers within the timeout limit

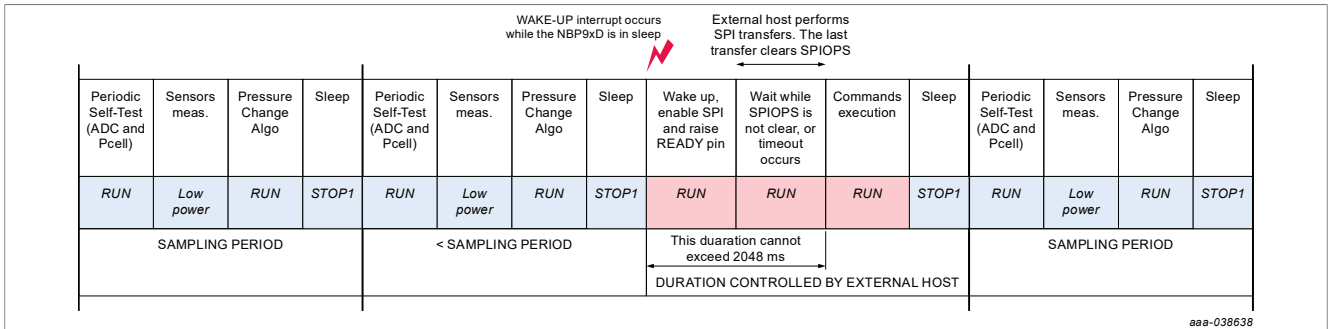
### 6.9.3 External host requesting an SPI transfer

[Figure 29](#) and [Figure 30](#) illustrate a sequence of periodic events during which the external host triggers an interrupt on the NBP9 side via the WAKE-UP pin in order to request SPI transfers.

If the WAKE-UP interrupt is triggered while the NBP9 is in the sleep state (as in the example below), the NBP9 wakes up immediately, enables SPI, and raises the READY pin. That series of events (wake up, enable SPI, and raise the READY pin) takes 125 µs.

If the WAKE-UP interrupt is triggered while the NBP9xD performs sensor measurements, self-test, or any of the actions triggered by the CMD register, the NBP9 first completes the ongoing action before enabling SPI and raising the READY pin. Raising the ready pin can take up to 8 ms (or up to 132 ms, if the NBP9 is performing firmware verification).

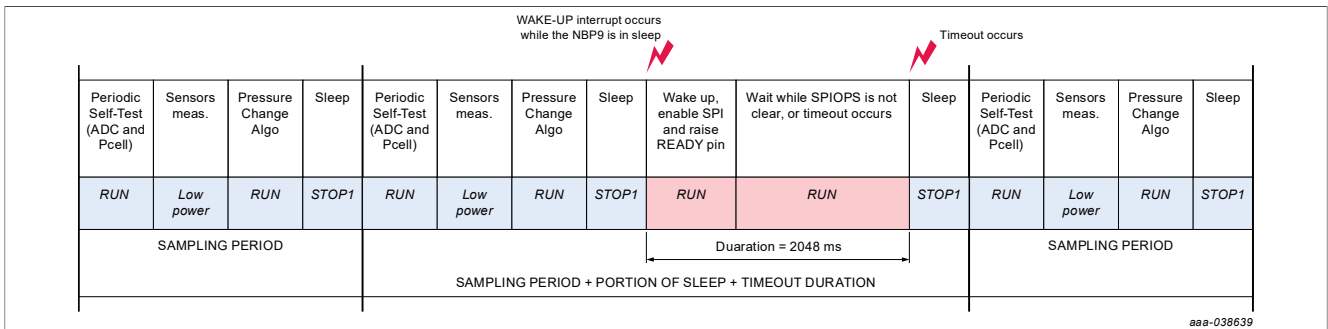
In the first example, the external host clears the SPIOPS register during the last SPI transfer. After exiting the wait state, the NBP9 executes the commands configured by the external host in the CMD register before continuing the periodic sequence of events.



aaa-038638

Figure 29. Sequence of events when the external host requests SPI transfers and then clears the SPIOPS register

In the second example, the external host does not clear the SPIOPS register during the SPI transfers, so the NBP9 exits the wait state on timeout before entering the sleep state. Note in this situation, the NBP9 does not execute the potential commands that could have been written in the CMD register due to exiting on timeout. The timeout indicates that a problem occurred on the external host side.



aaa-038639

Figure 30. Sequence of events when the external host requests SPI transfers but does not clear the SPIOPS register

### 6.9.4 Summary of execution times

Table 18 summarizes the execution times of the different actions. Sensor measurements include raw pressure, raw temperature, and raw voltage readings, followed by pressure, temperature, and voltage compensations.

Table 18. Summary of execution times

Action	Periodic/Triggered	Duration
Sensor measurements	Periodic	4.4 ms
Pressure change algorithm	Periodic	100 µs
ADC and Pcell self-test	Periodic	3.47 ms
ADC self-test	Triggered by CMD_ADCST	455 µs
Pcell self-test	Triggered by CMD_PST	3.32 ms
Firmware verification	Triggered by CMD_FV	132 ms
Reset registers	Triggered by CMD_RESET	206 µs
Clear FIFO	Triggered by CMD_CLRFIFO	185 µs
Acknowledge INTF	Triggered by CMD_ACKINTF	18 µs

## 6.10 Read/write targets accessible by the external host via SPI

This section details the addresses of the NBP9 accessible by the external host via SPI.

Table 19. Read and write addresses summary

Address	Name	Bit 7	Bit 6	Bit 5	Bit 4	Bit 3	Bit 2	Bit 1	Bit 0
\$0038	SPIOPS	reserved	reserved	reserved	reserved	reserved	CORE_ TR_HOLD	FLASH_ RANGE_1	FLASH_ RANGE_0
\$0050	MODECFG	reserved	reserved	reserved	reserved	reserved	reserved	PWMPOL	MODE
\$0051	STPER	STPER[7:0]							
\$0052	PINCFG	reserved	reserved	reserved	reserved	reserved	PINCFG[2:0]		
\$0053	INTTRIG	reserved	reserved	INTPOL	INTDUR	FVERR	STERR	SENSERR	SENSRDY
\$0054	PCCFG	reserved	reserved	reserved	reserved	reserved	STEN	RTEN	FTEN
\$0055	STATUS	INTF	PCSTF	PCRTF	PCFTF	FVF	PSTF	ADCSTF	SENSF
\$0056	SENSTATUS	ADCERR	LVW	POVER	PUNDER	TOVER	TUNDER	VOVER	VUNDER
\$0057	CMD	ACKINTF	reserved	reserved	CLR_FIFO	RESET	FV	PST	ADCST
\$0058	PCDEBT	PCDEBT[7:0]							
\$0059	PCFIXTH	PCFIXT[15:8]							
\$005A	PCFIXTL	PCFIXT[7:0]							
\$005B	PCMINT	PCMINT[7:0]							
\$005C	PCRELTH	PCRELT[15:8]							
\$005D	PCRELTL	PCRELT[7:0]							
\$005E	PCSLOPETH	PCSLOPET[15:8]							
\$005F	PCSLOPETL	PCSLOPET[7:0]							
\$0070:	TCODE	TCODE[7:0]							
\$0071	VCODE	VCODE[7:0]							
\$0075	INDFIFO	INDFIFO[7:0]							
\$0076 to \$008D	PFIFOH1[15:8] PFIFOL1[7:0] to PFIFOH12[15:8] PFIFOL12[7:0]	PFIFO1[15:0] through PFIFO12[15:0]							

The detail of the read/write targets is given below.

Table 20. SPI Operations (SPIOPS) (address 0x0038)

Bit	7	6	5	4	3	2	1	0
RW	Bit7	Bit6	Bit5	Bit4	Bit3	CORE_ TR_ HOLD	FLASH_ RANGE_ 1	FLASH_ RANGE_ 0
POR or User Reset (\$0)	0	0	0	0	0	0	0	0

Table 21. SPIOPS fields description

Fields	Description
7 to 3	Reserved
2 SPIOPS[2]	SPIOPS[2] CORE_TR_HOLD - Core read/write accesses on hold. This bit is used to ensure that SPI becomes the only internal bus server with unhindered access to the system registers. 0 = internal bus normal; SPI is granted access only if the internal CPU is not accessing the same sub-bus modules; Result of Reset. 1 = internal CPU on hold; SPI has unhindered access to the system registers, for the external host SPI server to read or write as needed. Must be cleared to 0 at the end of the external host SPI server transaction, to release the internal CPU.
1 to 0	The FLASH_RANGE[1:0] bits configure the range of FLASH addresses accessible by the SPI. FLASH_RANGE[1:0] = 0 0: the SPI can access the firmware derivative and firmware version numbers. FLASH_RANGE[1:0] = 0 1 or 1 0: the SPI cannot access the firmware derivative, firmware version or hardware version numbers. FLASH_RANGE[1:0] = 1 1: the SPI can access the hardware version numbers. <b>Note:</b> The user read/write targets located between \$0038 and \$008D can be accessed with any FLASH_RANGE[1:0] value.

Table 22. Mode Configuration (MODECFG) (address 0x0050)

Bit	7	6	5	4	3	2	1	0
R/W	—	—	—	—	—	—	PWMPOL	MODE
POR or Reset (\$0)	0	0	0	0	0	0	0	0

Table 23. MODECFG fields description

Fields	Description
7 to 2	Reserved bits – not for user access
1 PWMPOL	The PWMPOL bit selects the polarity of the PWM pin. 0 = the PWM is asserted at logic 0, idle at logic 1 1 = the PWM pin is asserted at logic 1, idle at logic 0
0 MODE	The MODE bit selects the mode of operation 0 = Eco mode is selected. SAMPLING RATE = 500 ms 1 = Normal mode is selected. SAMPLING RATE = 50 ms The typical sampling periods may vary due to the LFO clock tolerance listed in <a href="#">Section 9 "Electrical specifications"</a>

Table 24. Self-Test Execution Period (STPER) (address 0x0051)

Bit	7	6	5	4	3	2	1	0
R/W	Bit7	Bit6	Bit5	Bit4	Bit3	Bit2	Bit1	Bit0
POR or User Reset (\$1)	0	0	0	0	0	0	0	1

Table 25. STPER fields description

Fields	Description
7 to 0 STPER[7:0]	The STPER[7:0] configures the period at which ADC and Pcell Self-Test is performed. The operating range of STPER[7:0] is \$00 to \$FF. A value of \$00 disables the periodic Self-Test. Any other value gives a range of Self-Test execution period from 1 to 255 x SAMPLING PERIOD. Depending on the value of MODECFG_MODE, the Self-Test execution period can nominally be from 50 ms to 127.5 s. The conversion from the decimal value of STPER[7:0] to the period in milliseconds is given as described by the following equation: SELF TEST PERIOD = STPER[7:0] * SAMPLING PERIOD

Table 26. PIN Configuration (PINCFG) (address 0x0052)

Bit	7	6	5	4	3	2	1	0
R/W	—	—	—	—	—	PINCFG2	PINCFG1	PINCFG0
POR or User Reset (\$00)	0	0	0	0	0	0	0	0

Table 27. PINCFG fields description

Fields	Description
7 to 3 Reserved	Reserved bits—not for user access
2 to 0 PINCFG[2:0]	The PINCFG[2:0] configures the PTB1 pin function as described below: PINCFG[2:0] = 0 0 0: the pin is disabled PINCFG[2:0] = 0 0 1: the pin is disabled PINCFG[2:0] = 0 1 0: the pin is disabled PINCFG[2:0] = 0 1 1: the pin is disabled PINCFG[2:0] = 1 0 0: the PS ENABLE function is enabled and the pin is idle at logic 1, asserted at logic 0 PINCFG[2:0] = 1 0 1: the PS ENABLE function is enabled and the pin is idle at logic 0, asserted at logic 1 PINCFG[2:0] = 1 1 0: the pin is disabled PINCFG[2:0] = 1 1 1: the pin is disabled

Table 28. Interrupt pulse Trigger (INTTRIG) (address 0x0053)

Bit	7	6	5	4	3	2	1	0
R/W	—	—	INTPOL	INTDUR	FVERR	STERR	SENSERR	SENSRDY
POR or User Reset (\$3E)	—	—	1	1	1	1	1	0

Table 29. INTTRIG fields description

Fields	Description
7 to 6	Reserved bits—not for user access
5 INTPOL	INT pin Polarity – Selects the polarity of the INT/READY pin. 0 The pin is asserted to logic 0 during the pulse, and idle at logic 1

Table 29. INTRIG fields description...continued

Fields	Description
	1 The pin is asserted to logic 1 during the pulse, and idle at logic 0
4 INTDUR	INT pulse Duration - Selects the duration of the pulse generated by the NBP9 on the INT pin. 0 Pulse on the INT pin has a duration of 4 ms 1 Pulse on the INT pin has a duration of 8 ms
3 FVERR	Firmware Verification Error – Selects whether the NBP9 generates a pulse on the INT pin when the Firmware Verification execution completes with errors. 0 No pulse generated on the INT pin when the Firmware Verification execution completes with errors 1 Pulse generated on the INT pin when the Firmware Verification execution completes with errors
2 STERR	Self-Test Error – Selects whether the NBP9 generates a pulse on the INT pin when the Pcell or ADC Self-Test execution completes with errors. 0 No pulse generated on the INT pin when the Self-Test execution completes with errors 1 Pulse generated on the INT pin when the Self-Test execution completes with errors
1 SENSERR	Sensor Error – Selects whether the NBP9 generates a pulse on the INT pin when the sensor data acquisition completed with errors. 0 No pulse generated on the INT pin when the sensor data acquisition completed with errors 1 Pulse generated on the INT pin when the sensor data acquisition completed with errors
0 SENSRDY	Sensor Data Ready – Selects whether the NBP9 generates a pulse on the INT pin when the sensor data acquisition completed, and new sensor data is available. 0 No pulse generated on the INT pin when the sensor data acquisition completed, and new sensor data is available 1 Pulse generated on the INT pin when the sensor data acquisition completed, and sensor data is available

Table 30. Pressure Change Configuration (PCCFG) (address \$0054)

Bit	7	6	5	4	3	2	1	0
R/W	--	--	--	--	--	STEN	RTEN	FTEN
POR or User Reset (\$01)	0	0	0	0	0	0	0	1

Table 31. PCCFG fields description

Fields	Description
7 to 3	Reserved bits – Not for user access.
2 STEN	Slope Threshold Enable – Enables the option to monitor the pressure change of rate vs. a change of rate threshold. 0 Option disabled 1 Option enabled
1 RTEN	Relative Threshold Enable – Enables the option to monitor the pressure vs. a relative threshold. 0 Option disabled 1 Option enabled
0 FTEN	Fixed Threshold Enable – Enables the option to monitor the pressure vs. a fixed threshold. 0 Option disabled 1 Option enabled

Table 32. Status of the latest executions (STATUS) (address 0x0055)

Bit	7	6	5	4	3	2	1	0
R	INTF	PCSTF	PCRTF	PCFTF	FVF	PSTF	ADCSTF	SENSF
POR or User Reset (\$00)	0	0	0	0	0	0	0	0

Table 33. STATUS fields description

Fields	Description
7 INTF	INT pin Flag – Indicates whether a condition for pulse generation is met, and a pulse on the INT pin is generated. 0 No pulse on the INT pin is generated 1 Pulse on the INT pin is generated. Events that occurred are detailed in bits 6:0. Including INTF, each of the bits are cleared after completion of the SPI transfers, if the external host set CMD_ACKINTF.
6 PCSTF	Pressure Change Slope Threshold Flag – Indicates whether the pressure rate of change has exceeded the rate of change threshold PCSLOPET. 0 Condition is not met, the pressure rate of change has not exceeded the threshold 1 Condition is met, the pressure rate of change has exceeded the threshold. STATUS_INTF is set and a pulse is generated on the INT pin.
5 PCRTF	Pressure Change Relative Threshold Flag – Indicates whether the pressure has exceeded the relative threshold PCRELT. 0 Condition is not met, the pressure has not exceeded the threshold 1 Condition is met, the pressure has exceeded the threshold. STATUS_INTF is set and a pulse is generated on the INT pin.
4 PCFTF	Pressure Change Fixed Threshold Flag – Indicates whether the pressure has exceeded the fixed threshold PCFIXT. 0 Condition is not met, the pressure has not exceeded the threshold 1 Condition is met, the pressure has exceeded the threshold. STATUS_INTF is set and a pulse is generated on the INT pin.
3 FVF	Firmware Verification Flag– Indicates the status of the latest firmware verification. 0 The latest firmware verification completed with no errors 1 The latest firmware verification completed with errors. If INTTRIG_FVERR is set, STATUS_INTF is set and a pulse is generated on the INT pin.
2 PSTF	Pcell Self-Test Flag – Indicates the status of the latest Pcell Self-Test. 0 The latest Pcell Self-Test completed with no errors 1 The latest Pcell Self-Test completed with errors. If INTTRIG_STERR is set, STATUS_INTF is set and a pulse is generated on the INT pin.
1 ADCSTF	ADC Self-Test Flag – Indicates the status of the latest ADC Self-Test. 0 The latest ADC Self-Test completed with no errors 1 The latest ADC Self-Test completed with errors. If INTTRIG_STERR is set, STATUS_INTF is set and a pulse is generated on the INT pin.
0 SENSF	Sensor Flag – Indicates the status of the latest sensor acquisition. 0 The latest sensor acquisition completed with no errors, the SENSTATUS fields are all clear. If INTTRIG_SENSRDY is set, a pulse is generated on the INT pin after completion of the acquisition 1 The latest sensor acquisition completed with errors detailed in the SENSTATUS fields. If INTTRIG_SENSERR or INTTRIG_SENSRDY is set, STATUS_INTF is set and a pulse is generated on the INT pin after completion of the acquisition.

Table 34. Sensor Status (SENSTATUS) (address 0x0056)

Bit	7	6	5	4	3	2	1	0
R	ADCERR	LVW	POVER	PUNDER	TOVER	TUNDER	VOVER	VUNDER
POR or User Reset (\$00)	0	0	0	0	0	0	0	0

Table 35. SENSTATUS fields description

Fields	Description
7 ADCERR	ADC Error – Indicates whether an ADC error occurred during the latest sensor acquisition. 0 No ADC error occurred during the latest sensor acquisition 1 An ADC error occurred during the latest sensor acquisition. The bit is cleared after completion of the SPI transfers, if the external host set CMD_ACKINTF.
6 LVW	Low Voltage Warning – Indicates whether the voltage is suspected to be below operating range for pressure measurement. 0 Voltage is in-range 1 Voltage is suspected to be below operating range, pressure accuracy is not guaranteed. The bit is cleared after completion of the SPI transfers, if the external host set CMD_ACKINTF.
5 POVER	Pressure Overflow – Indicates whether the latest pressure acquisition resulted in an overflow. 0 The latest pressure measurement did not overflow 1 The latest pressure measurement resulted in an overflow. The bit is cleared after completion of the SPI transfers, if the external host set CMD_ACKINTF.
4 PUNDER	Pressure Underflow – Indicates whether the latest pressure acquisition resulted in an underflow. 0 The latest pressure measurement did not underflow 1 The latest pressure measurement resulted in an underflow. The bit is cleared after completion of the SPI transfers, if the external host set CMD_ACKINTF.
3 TOVER	Temperature Overflow – Indicates whether the latest temperature acquisition resulted in an overflow. 0 The latest temperature measurement did not overflow 1 The latest temperature measurement resulted in an overflow. The bit is cleared after completion of the SPI transfers, if the external host set CMD_ACKINTF.
2 TUNDER	Temperature Underflow – Indicates whether the latest temperature acquisition resulted in an underflow. 0 The latest temperature measurement did not underflow 1 The latest temperature measurement resulted in an underflow. The bit is cleared after completion of the SPI transfers, if the external host set CMD_ACKINTF.
1 VOVER	Voltage Overflow – Indicates whether the latest voltage acquisition resulted in an overflow. 0 The latest voltage measurement did not overflow 1 The latest voltage measurement resulted in an overflow. The bit is cleared after completion of the SPI transfers, if the external host set CMD_ACKINTF.
0 VUNDER	Voltage Underflow – Indicates whether the latest voltage acquisition resulted in an underflow. 0 The latest voltage measurement did not underflow 1 The latest voltage measurement resulted in an underflow. The bit is cleared after completion of the SPI transfers, if the external host set CMD_ACKINTF.

Table 36. Command (CMD) (address 0x0057)

Bit	7	6	5	4	3	2	1	0
R/W	ACKINTF	--	--	CLRFIFO	RESET	FV	PST	ADCST



Table 36. Command (CMD) (address 0x0057)...continued

Bit	7	6	5	4	3	2	1	0
POR or User Reset (\$00)	0	0	0	0	0	0	0	0

Table 37. CMD fields description

Fields	Description
7 ACKINTF	Acknowledge INT Flag – If the external host writes logic 1 to this bit, the STATUS, and SENSTATUS registers will be cleared after completion of the SPI transfers. 0 No effect 1 Clearing the STATUS, and SENSTATUS registers is requested. The NBP9 clears this bit after completion of the command
6 to 5	Reserved bits – Not for user access.
4 CLRFIFO	Clear FIFO - If the external host writes logic 1 to this bit, the Pressure FIFO will be cleared after completion of the SPI transfers. 0 No effect 1 Clearing the Pressure FIFO is requested. The NBP9 clears this bit after completion of the command
3 RESET	Reset – Indicates to the NBP9 whether a one-time register reset is requested after completion of the on-going SPI transfer sequence. Register reset sets all read/write user targets to their reset values. 0 No register reset requested 1 Register reset is requested. The NBP9 clears this bit after completion of the command
2 FV	Firmware Verification – Indicates to the NBP9 whether a one-time Firmware Verification is requested after completion of the on-going SPI transfer sequence. 0 No Firmware Verification requested 1 Firmware Verification requested. The NBP9 clears this bit after completion of the command
1 PST	Pressure cell Self-Test – Indicates to the NBP9 whether a one-time pressure cell Self-Test is requested after completion of the on-going SPI transfer sequence. 0 No pressure cell Self-Test requested 1 Pressure cell Self-Test requested. The NBP9 clears this bit after completion of the command
0 ADCST	ADC Self-Test – Indicates to the NBP9 whether a one-time ADC Self-Test is requested after completion of the on-going SPI transfer sequence. 0 No ADC Self-Test requested 1 ADC Self-Test requested. The NBP9 clears this bit after completion of the command

Table 38. Pressure Change Debounce Threshold (PCDEBT) (address 0x0058)

Bit	7	6	5	4	3	2	1	0
R/W	Bit7	Bit6	Bit5	Bit4	Bit3	Bit2	Bit1	Bit0
POR or User Reset (\$05)	0	0	0	0	0	1	0	1

Table 39. PCDEBT fields description

Fields	Description
7 to 0	The PCDEBT[7:0] debounce threshold defines the minimum debounce value to consider that a Pressure Change condition has been met. The operating range of PCDEBT[7:0] is 0 to 254. If this register is

Table 39. PCDEBT fields description

Fields	Description
PCDEBT[7:0]	configured to value 255 by the External host during an SPI transfer, the value will be changed to 254 after completion of the SPI transfers.

Table 40. Pressure Change Fixed Threshold High (PCFIXTH) (address 0x0059)

Bit	7	6	5	4	3	2	1	0
R/W	Bit15	Bit14	Bit13	Bit12	Bit11	Bit10	Bit9	Bit8
POR or User Reset (\$03)	0	0	0	0	0	0	1	1

Table 41. Pressure Change Fixed Threshold Low (PCFIXTL) (address 0x005A)

Bit	7	6	5	4	3	2	1	0
R/W	Bit7	Bit6	Bit5	Bit4	Bit3	Bit2	Bit1	Bit0
POR or User Reset (\$20)	0	0	1	0	0	0	0	0

Table 42. PCFIXTH/L fields description

Fields	Description
15 to 0 PCFIXT[15:0]	The two PCFIXT[15:0] define the fixed threshold value used in the Fixed Threshold algorithm. When PCCFG_FTEN is set, the flag STATUS_PCFTF is raised when pressure is consistently above this threshold. PCFIXT[15:0] value is expressed in pressure counts and can be converted to kPa using the transfer function: <i>Fixed Threshold in kPa</i> = $(\Delta P_{MAX-MIN} \times PCFIXT) + 39.6$ .

Table 43. Pressure Change Minimum Threshold (PCMINT) (address \$005B)

Bit	7	6	5	4	3	2	1	0
R/W	Bit7	Bit6	Bit5	Bit4	Bit3	Bit2	Bit1	Bit0
POR or User Reset (\$03)	0	0	0	0	0	0	1	1

Table 44. PCMINT fields description

Fields	Description
7 to 0 PCMINT[7:0]	The PCMINT[7:0] defines the minimum number of counts by which the current pressure value must exceed the previous pressure value, for the NBP9 program to consider that the pressure is increasing. PCMINT[7:0] value is expressed in pressure counts and can be converted to kPa using the formula: <i>Minimum threshold in kPa</i> = $\Delta P_{MAX-MIN} \times PCMINT$

Table 45. Pressure Change Relative Threshold High (PCRELTH) (address \$005C)

Bit	7	6	5	4	3	2	1	0
R/W	Bit15	Bit14	Bit13	Bit12	Bit11	Bit10	Bit9	Bit8
POR or User Reset (\$00)	0	0	0	0	0	0	0	0

Table 46. Pressure Change Relative Threshold Low (PCRELTL) (address \$005D)

Bit	7	6	5	4	3	2	1	0
R/W	Bit7	Bit6	Bit5	Bit4	Bit3	Bit2	Bit1	Bit0
POR or User Reset (\$32)	0	0	1	1	0	0	1	0

Table 47. PCRELTH/L fields description

Fields	Description
15 to 0 PCRELT[15:0]	The two PCRELT[15:0] define the relative threshold value used in the Relative Threshold algorithm. When PCCFG_RTEN is set, the flag STATUS_PCRTF is raised when pressure increase is consistently above this threshold. PCRELT[15:0] value is expressed in pressure counts and can be converted to kPa using the formula: <i>Relative Threshold in kPa = <math>\Delta P_{MAX-MIN} \times PCRELT</math></i> .

Table 48. Pressure Change Slope Threshold High (PCSLOPETH) (address 0x005E)

Bit	7	6	5	4	3	2	1	0
R/W	Bit15	Bit14	Bit13	Bit12	Bit11	Bit10	Bit9	Bit8
POR or User Reset (\$00)	0	0	0	0	0	0	0	0

Table 49. Pressure Change Slope Threshold Low (PCSLOPETL) (address 0x005F)

Bit	7	6	5	4	3	2	1	0
R/W	Bit7	Bit6	Bit5	Bit4	Bit3	Bit2	Bit1	Bit0
POR or User Reset (\$40)	0	1	0	0	0	0	0	0

Table 50. PCSLOPETH/L fields description

Fields	Description
15 to 0 PCSLOPET[15:0]	The two PCSLOPET[15:0] define the rate of change threshold value used in the Slope Threshold algorithm. When PCCFG_STEN is set, the flag STATUS_PCSTF is raised when the pressure rate of change exceeds this threshold. Calculate the slope by $\Delta P * 128 / (number\ sampling\ periods + 1)$ where: <ul style="list-style-type: none"> <li>• <math>-\Delta P</math> is the pressure increase, in counts</li> <li>• <math>-128</math> is a multiplication coefficient, to scale the slope</li> <li>• <math>-number\ sampling\ periods</math> is the number of sampling periods during which the pressure has been increasing until the slope is calculated</li> </ul>

Table 50. PCSLOPETH/L fields description

Fields	Description
	<p><b>Note:</b> The slope value is expressed in pressure counts per number of sampling periods. The conversion to kPa/s depends on the pressure sensitivity and the user-selected sampling period value.</p> <p>The slope value can be converted to kPa/s using the formula:  <math>Slope\ Threshold\ in\ kPa/s = PCSLOPET \times (\Delta P_{MAX-MIN} / 128) \times [(1000 + sampling\_period\_ms) / sampling\_period\_ms]</math>.</p> <p>Where <i>sampling_period_ms</i> is the sampling period value in milliseconds.</p> <p><b>Example:</b>                      For a pressure sensitivity equal to 0.2 kPa/LSB and a sampling period selected as 135 ms, a pressure increase of 10 kPa over 1 second corresponds to a pressure increase of 50 pressure counts over 7.4 sampling periods, resulting in a slope value of <math>50 \times 128 / (7.4 + 1) = 762</math>.                      If the sampling period is selected as 70 ms, then a pressure increase of 10 kPa over 1 second corresponds to a pressure increase of 50 pressure counts over 14.3 sampling periods, resulting in a slope value of <math>50 \times 128 / (14.3 + 1) = 418</math>.</p>

Table 51. Temperature measurement (TCODE) (address \$0070)

Bit	7	6	5	4	3	2	1	0
R	Bit7	Bit6	Bit5	Bit4	Bit3	Bit2	Bit1	Bit0
POR or User Reset (\$70)	0	0	0	0	0	0	0	0

Table 52. TCODE fields description

Fields	Description
7 to 0 TCODE[7:0]	The TCODE[7:0] stores the most recent compensated internal device temperature measurement, and can be converted to °C by the transfer function: <i>Temperature in °C = TCODE – 55</i> .

Table 53. Voltage measurement (VCODE) (address \$0071)

Bit	7	6	5	4	3	2	1	0
R	Bit7	Bit6	Bit5	Bit4	Bit3	Bit2	Bit1	Bit0
POR or User Reset (\$70)	0	0	0	0	0	0	0	0

Table 54. Voltage measurement fields description

Fields	Description
7 to 0 VCODE[7:0]	The VCODE[7:0] stores the most recent compensated internal device voltage measurement, and can be converted to Volt using the transfer function: <i>Voltage in Volt = (0.01 × VCODE) + 1.22</i> .

Table 55. Index of the pressure FIFO (INDFIFO) (address \$0075)

Bit	7	6	5	4	3	2	1	0
R	Bit7	Bit6	Bit5	Bit4	Bit3	Bit2	Bit1	Bit0
POR or User Reset (\$76)	0	1	1	1	0	1	1	0

Table 56. INDFIFO fields description

Fields	Description
7 to 0 INDFIFO[7:0]	The INDFIFO[7:0] stores the address of the last byte written in the pressure PFIFO.

Table 57. Pressure FIFO (PFIFOH/Lx) (addresses \$0076 - \$008D)

Bit	7	6	5	4	3	2	1	0
R	Bit15	Bit14	Bit13	Bit12	Bit11	Bit10	Bit9	Bit8
R	Bit7	Bit6	Bit5	Bit4	Bit3	Bit2	Bit1	Bit0
POR or User Reset (\$00)	0	0	0	0	0	0	0	0

Table 58. PFIFOH/Lx fields description

Fields	Description
15 to 8 PFIFOHx[15:8] 7 to 0 PFIFOLx[7:0] <sup>[1]</sup>	The PFIFO stores the 12 latest pressure measurements. The PFIFO is implemented as a rolling buffer: the most recent pressure measurement overwrites the oldest one. The INDFIFO index holds the value of the last address written. Each entry shall occupy two bytes, high byte at first address and low byte at second address, for a total of 24 bytes.

[1] Where x = 1 to 12.

## 7 Limiting values

The limiting values are the extreme limits the device can be exposed to without permanently damaging it. The device contains circuitry to protect the inputs against damage from high static voltages; however, do not apply voltages higher than the values shown in [Table 59](#). Keep  $V_{IN}$  and  $V_{OUT}$  within the range  $V_{SS} \leq (V_{IN} \text{ or } V_{OUT}) \leq V_{DD}$ .

**Table 59. Maximum ratings**

Symbol	Parameter	Conditions	Min	Typ	Max	Unit	Notes
$V_{DD}$	$V_{DD}$ or $V_{DDA}$ to $V_{SS}$	$T_L \leq T_A \leq T_H$	-0.3	—	3.8	V	<a href="#">C</a>
$V_{IO}$	IO pin current, each pin vs $V_{DD}$ / $V_{DDA}$ or $V_{SS}$	$T_{AS} \text{ Min} \leq T_A \leq T_{AS} \text{ Max}$	$V_{SS} - 0.3$	—	$V_{dd} + 0.3$	V	<a href="#">C</a>
$I_{IO}$	IO pin current, pin vs $V_{DD}$ / $V_{DDA}$ or $V_{SS}$	$T_L \leq T_A \leq T_H$ , $V_{DDR} \text{ Min} \leq V_{DD} \leq V_{DDR} \text{ Max}$	-10	—	10	mA	<a href="#">C</a>
$I_{SUBIO}$	Substrate current injection, all IO pins current from pin to $V_{SS} - 0.3$ V	$T_L \leq T_A \leq T_H$ , $V_{DDR} \text{ Min} \leq V_{DD} \leq V_{DDR} \text{ Max}$	—	600	—	$\mu$ A	<a href="#">C</a>
$I_{LATCH}$	Latch-up current, current to/from pin to $V_{DD}$ / $V_{DDA} + 0.3$ V	$T_L \leq T_A \leq T_H$ , $V_{DDR} \text{ Min} \leq V_{DD} \leq V_{DDR} \text{ Max}$	-100	—	100	mA	<a href="#">C</a>
$ESD_{HBM}$	Electrostatic discharge, human body model (HBM), all pins	$T_A = 25^\circ\text{C}$ , $V_{DD} = 3.0$ V	-2000	—	2000	V	<a href="#">C</a>
$ESD_{CDM}$	Electrostatic discharge, charged device model (CDM), all pins	$T_A = 25^\circ\text{C}$ , $V_{DD} = 3.0$ V	-500	—	500	V	<a href="#">C</a>
$T_{STG}$	Unpowered storage, temperature range	—	-50	—	150	$^\circ\text{C}$	<a href="#">C</a>

## 8 Recommended operating conditions

The limits normally expected in the application that define the range of operation.

**Table 60. Operating range**

Symbol	Parameter	Conditions	Min	Typ	Max	Unit	Notes
$V_{DDR}$	Operating voltage range, Parameter register retention where $\text{Min} = V_L$ , $\text{Typ} = 3.0$ V, $\text{Max} = V_H$	$T_{AS} \text{ Min} \leq T_A \leq T_{AS} \text{ Max}$	1.2	3.0	3.6	V	<a href="#">C</a>
$V_{DDS}$	Operating voltage range, CPU and SW, Flash Read, Voltage Measurement where $\text{Min} = V_L$ , $\text{Typ} = 3.0$ V, $\text{Max} = V_H$	$T_{AS} \text{ Min} \leq T_A \leq T_{AS} \text{ Max}$	1.8	3.0	3.6	V	<a href="#">C</a>
$V_{DDM}$	Operating voltage range, pressure, and temperature measurements where $\text{Min} = V_L$ , $\text{Typ} = 3.0$ V, $\text{Max} = V_H$	$T_{AS} \text{ Min} \leq T_A \leq T_{AS} \text{ Max}$	2.1	3.0	3.6	V	<a href="#">C</a>
$V_{DDF}$	Operating voltage range, Flash Programming where $\text{Min} = V_L$ , $\text{Typ} = 3.0$ V, $\text{Max} = V_H$	$-20^\circ\text{C} \leq T_A \leq 85^\circ\text{C}$	2.1	3.0	3.6	V	<a href="#">C</a>
$T_{AS}$	Operating temperature range, Full functionality except Flash Programming where $\text{Min} = T_L$ , $\text{Typ} = 25^\circ\text{C}$ , $\text{Max} = T_H$	$V_{DDS} \text{ Min} \leq V_{DD} \leq V_{DDS} \text{ Max}$	-40	25	125	$^\circ\text{C}$	<a href="#">C</a>
$T_{AF}$	Operating temperature range, Operating voltage range, Full functionality, including Flash programming	$V_{DDF} \text{ Min} \leq V_{DD} \leq V_{DDF} \text{ Max}$	-20	25	85	$^\circ\text{C}$	<a href="#">C</a>

Table 60. Operating range...continued

Symbol	Parameter	Conditions	Min	Typ	Max	Unit	Notes
T <sub>A-EXC</sub>	Operating temperature range excursion; 12 excursions of 15 minutes ea. (all Tolerances may be out of spec)	V <sub>DDM</sub> Min ≤ V <sub>DD</sub> ≤ V <sub>DDM</sub> Max	—	—	150	°C	<a href="#">C</a>
I <sub>DD1</sub>	Supply Current; Stop1 Mode (only LFO, PWU, and param. reg. On)	Typ = 25 °C, 3.0 V, Max = T <sub>AS</sub> Min to Max and V <sub>DDR</sub> Min to Max	—	0.18	18	µA	<a href="#">B</a>
I <sub>DDR4M</sub>	Supply Current; CPU Run 4 MHz	Typ = 25 °C, 3.0 V, Max = T <sub>AS</sub> Min to Max and V <sub>DDS</sub> Min to Max	—	2.1	2.5	mA	<a href="#">B</a>

## 9 Electrical specifications

Tables in the electrical and mechanical specification sections of this data sheet may contain hyperlinked note references in the last cell of the row. The hyperlinks are linked to and defined in [Table 61](#).

Table 61. Electrical and mechanical specification note definition table

Note identifier	Description
A	Parameters tested 100 % at final test.
B	Parameters tested 100 % at unit probe.
C	Verified by characterization, not tested in production.
D	For information only, may be determined by simulation.

### 9.1 Charge consumptions

Table 62. Charge consumptions

T<sub>L</sub> ≤ T<sub>A</sub> ≤ T<sub>H</sub>, unless otherwise specified.

Symbol	Parameter	Conditions	Min	Typ	Max	Unit	Notes
Q <sub>wake</sub>	Stop1 to run charge consumption, F <sub>bus</sub> set for 4 MHz	V <sub>DDM</sub> Min ≤ V <sub>DD</sub> ≤ V <sub>DDM</sub> Max	—	0.10	—	µA-sec	<a href="#">C</a>
QPA <sub>r2584</sub>	Pressure charge consumption; Raw 2584 µs settling per sample	V <sub>DDM</sub> Min ≤ V <sub>DD</sub> ≤ V <sub>DDM</sub> Max	—	1.9	—	µA-sec	<a href="#">D</a>
QP <sub>c3</sub>	Pressure charge consumption; Compensation third order per sample	V <sub>DDM</sub> Min ≤ V <sub>DD</sub> ≤ V <sub>DDM</sub> Max	—	1.77	—	µA-sec	<a href="#">D</a>
QVT <sub>r50</sub>	Voltage or temperature charge consumption; Raw 50 µs conversion per sample	V <sub>DDM</sub> Min ≤ V <sub>DD</sub> ≤ V <sub>DDM</sub> Max	—	0.2	—	µA-sec	<a href="#">C</a>
QVT <sub>c250</sub>	Voltage or temperature charge consumption; Compensation ~0.25 ms per sample	V <sub>DDM</sub> Min ≤ V <sub>DD</sub> ≤ V <sub>DDM</sub> Max	—	0.50	—	µA-sec	<a href="#">D</a>

### 9.2 Clocks and thresholds

Table 63. Clocks and thresholds

V<sub>DDS</sub> Min ≤ V<sub>DD</sub> ≤ V<sub>DDS</sub> Max, T<sub>AS</sub> Min ≤ T<sub>A</sub> ≤ T<sub>AS</sub> Max, unless otherwise specified.

Symbol	Parameter	Conditions	Min	Typ	Max	Unit	Notes
f <sub>BUS</sub>	CPU bus frequency multiple of HFO	V <sub>DD</sub> > 2.1 V	—	0.5	—	x HFO	<a href="#">D</a>
f <sub>HFO</sub>	High frequency oscillator, multiple of MFO	V <sub>DD</sub> > 2.1 V	—	64	—	x MFO	<a href="#">D</a>

**Table 63. Clocks and thresholds...continued**

$V_{DDS\ Min} \leq V_{DD} \leq V_{DDS\ Max}$ ,  $T_{AS\ Min} \leq T_A \leq T_{AS\ Max}$ , unless otherwise specified.

Symbol	Parameter	Conditions	Min	Typ	Max	Unit	Notes
t <sub>HFOST</sub>	Stabilization time	—	—	300	1000	μs	D
f <sub>MFO</sub>	Medium frequency oscillator	V <sub>DD</sub> > 2.1 V	107	125	135	kHz	A
f <sub>LFO</sub>	Low frequency oscillator	—	504	—	1512	Hz	B
t <sub>STOP1</sub>	CPU wake-up time	From Stop1 to 1 <sup>st</sup> instruction, 4 MHz	—	50	70	μs	C
t <sub>STOP4</sub>	CPU wake-up time	From Stop4 to 1 <sup>st</sup> instruction, 4 MHz	—	25	35	μs	C
t <sub>LV</sub>	Low voltage times	V <sub>DD</sub> < V <sub>LVx</sub>	—	—	10	μs	D
V <sub>LVWLF</sub>	Low voltage warning (LVW)	Lower threshold, V <sub>DD</sub> falling	1.95	—	2.2	V	C
V <sub>LVWLR</sub>	Low voltage warning (LVW)	Lower threshold, V <sub>DD</sub> rising	2.02	—	2.1	V	C
V <sub>LVWHF</sub>	Low voltage warning (LVW)	Higher threshold, V <sub>DD</sub> falling	2.28	—	2.54	V	C
V <sub>LVWHR</sub>	Low voltage warning (LVW)	Higher threshold, V <sub>DD</sub> rising	2.34	—	2.61	V	C
V <sub>LVDLF</sub>	Low voltage detection (LVD)	Lower threshold, V <sub>DD</sub> falling	1.79	—	1.96	V	C
V <sub>LVDLR</sub>	Low voltage detection (LVD)	Lower threshold, V <sub>DD</sub> rising	1.87	—	2.03	V	C
V <sub>LVDHF</sub>	Low voltage detection (LVD)	Higher threshold, V <sub>DD</sub> falling	1.95	—	2.2	V	C
V <sub>LVDHR</sub>	Low voltage detection (LVD)	Higher threshold, V <sub>DD</sub> rising	2.02	—	2.1	V	C
T <sub>FDR</sub>	Flash memory data retention	—	10	—	—	Yr	D

### 9.3 Power-on reset operation

When power is initially applied to the device, or when the supply voltage drops below the V<sub>POR</sub> level, the POR circuit causes a reset condition. As the supply voltage rises, the LVD circuit holds the chip in reset until the supply has risen above the level determined by LVDV bit. Both the POR bit and the LVD bit in SRS are set following a POR.

**Table 64. Power-on reset**

$V_{DDS\ Min} \leq V_{DD} \leq V_{DDS\ Max}$ ,  $T_{AS\ Min} \leq T_A \leq T_{AS\ Max}$ , unless otherwise specified.

Symbol	Parameter	Conditions	Min	Typ	Max	Unit	Notes
t <sub>R</sub>	Power on reset (POR)	V <sub>DD</sub> risetime to avoid latch up	—	—	1	s	C
t <sub>POR</sub>	Power on reset (POR)	Time for V <sub>DD</sub> < 0.5 V to assure POR	70	—	—	μs	C
V <sub>PORR</sub>	Power on reset (POR)	Rising voltage to release reset	—	—	2.1	V	C
V <sub>PORA</sub>	Power on reset (POR)	Falling voltage to assert reset	0.8	—	—	V	C

### 9.4 GPIO port pins

**Table 65. GPIO port pins**

$V_{DDS\ Min} \leq V_{DD} \leq V_{DDS\ Max}$ ,  $T_{AS\ Min} \leq T_A \leq T_{AS\ Max}$ , unless otherwise specified.

Symbol	Parameter	Conditions	Min	Typ	Max	Unit	Notes
V <sub>OH</sub>	Output high voltage	I <sub>LOAD</sub> = 5 mA	V <sub>DD</sub> - 0.35	—	—	V	D
V <sub>OL</sub>	Output low voltage	I <sub>LOAD</sub> = 5 mA	—	—	V <sub>SS</sub> + 0.35	V	D



**Table 65. GPIO port pins...continued**

$V_{DDs\ Min} \leq V_{DD} \leq V_{DDs\ Max}$ ,  $T_{AS\ Min} \leq T_A \leq T_{AS\ Max}$ , unless otherwise specified.

Symbol	Parameter	Conditions	Min	Typ	Max	Unit	Notes
$V_{IHn}$	Input high voltage	$2.3\ V \leq V_{DD} \leq V_H$ , $T_A = T_L, T_H$	$0.7 \times V_{DD} / V_{DDA}$	—	$V_{DD} / V_{DDA}$	V	<a href="#">D</a>
$V_{IHv}$	Input high voltage	$V_{DD} \leq 2.3\ V$ , $T_A = 25\ ^\circ C$	$0.85 \times V_{DD} / V_{DDA}$	—	$V_{DD} / V_{DDA}$	V	<a href="#">D</a>
$V_{ILn}$	Input low voltage	$2.3\ V \leq V_{DD} \leq V_H$ , $T_A = T_L, T_H$	$V_{SS}$	—	$0.35 \times V_{DD} / V_{DDA}$	V	<a href="#">D</a>
$V_{ILv}$	Input low voltage	$V_{DD} \leq 2.3\ V$ , $T_A = 25\ ^\circ C$	$V_{SS}$	—	$0.28 \times V_{DD} / V_{DDA}$	V	<a href="#">D</a>
$I_{IH}$	Input high current, PTA0:3	Pulldown disabled; $V_{IH}$ Min	-1	—	+1	$\mu A$	<a href="#">D</a>
$I_{IHp}$	Input high current, PTA0:3	Pulldown enabled; $V_{IH}$ Min	0	—	120	$\mu A$	<a href="#">D</a>
$I_{IL}$	Input low current, PTA0:3	Pullup disabled; $V_{IL}$ Max	-1	—	+1	$\mu A$	<a href="#">D</a>
$I_{ILp}$	Input low current PTA0:3	Pullup enabled; $V_{IL}$ Max	-120	—	0	$\mu A$	<a href="#">D</a>
$I_{IH-IL}$	Input current PTA4 only	$V_{IH}$ Min and $V_{IL}$ Max	-120	—	120	$\mu A$	<a href="#">D</a>
$C_{IO}$	Pin capacitance	$V_{DD} = 3.0\ V$	0	—	15	pF	<a href="#">D</a>
$C_{SICO}$	SICO load capacitance	$V_{DD} = 3.0\ V$	—	—	50	pF	<a href="#">D</a>

## 9.5 SPI timing characteristics

**Table 66. SPI timing**

$V_{DDs\ Min} \leq V_{DD} \leq V_{DDs\ Max}$ ,  $T_{AS\ Min} \leq T_A \leq T_{AS\ Max}$ , unless otherwise specified.

Symbol	Parameter	Conditions	Min	Typ	Max	Unit	Notes
$t_{SSMIN}$	CS_B asserted period	$f_{BUS} = 4\ MHz$	1	—	—	$f_{BUS}$ period	
$t_{ACCESS}$	CS_B low to SICO	—	—	—	50	ns	<a href="#">D</a>
$t_{LEAD}$	CS_B low to SCLK start	—	50	—	—	ns	<a href="#">D</a>
$t_{SETUP}$	SOCI to SCLK start	—	20	—	—	ns	<a href="#">D</a>
$t_{SCLK}$	SCLK period	—	100	—	—	ns	<a href="#">D</a>
$t_{SCLKH}$	SCLK high portion	—	35	—	—	ns	<a href="#">D</a>
$t_{SCLKL}$	SCLK low portion	—	35	—	—	ns	<a href="#">D</a>
$t_{SCLKR}$	SCLK risetime	—	—	10	25	ns	<a href="#">D</a>
$t_{SCLKF}$	SCLK fall time	—	—	10	25	ns	<a href="#">D</a>
$t_{VALID}$	SICO valid transition time	—	—	—	30	ns	<a href="#">D</a>
$t_{HOLD\_IN}$	SOCI hold time	—	10	—	—	ns	<a href="#">D</a>
$t_{HOLD\_OUT}$	SCLK high to SICO transition start	—	0	—	—	ns	<a href="#">D</a>
$t_{LAG}$	Final SCLK low to CS_B high	—	60	—	—	ns	<a href="#">D</a>
$t_{DISABLE}$	CS_B high to SICO 3-state	—	—	—	60	ns	<a href="#">D</a>
$t_{SS\_REJ}$	CS_B noise rejection period	—	—	—	5	ns	<a href="#">D</a>
$t_{SSCLK}$	CS_B high to SCLK high	—	50	—	—	ns	<a href="#">D</a>
$t_{CLKSS}$	SCLK high to SCLK low	—	50	—	—	ns	<a href="#">D</a>

**Table 66. SPI timing...continued**

$V_{DD5} \text{ Min} \leq V_{DD} \leq V_{DD5} \text{ Max}$ ,  $T_{AS} \text{ Min} \leq T_A \leq T_{AS} \text{ Max}$ , unless otherwise specified.

Symbol	Parameter	Conditions	Min	Typ	Max	Unit	Notes
t <sub>SSN</sub>	CS_B not asserted period	f <sub>BUS</sub> = 4 MHz	6	—	—	f <sub>BUS</sub> period	D

## 9.6 Temperature measurement characteristics

**Table 67. Temperature measurement**

$V_{DDM} \text{ Min} \leq V_{DD} \leq V_{DDM} \text{ Max}$ ,  $T_{AS} \text{ Min} \leq T_A \leq T_{AS} \text{ Max}$ , unless otherwise specified.

Transfer function:  $T \text{ } ^\circ\text{C} = (\Delta T_{\text{MAX-MIN}} \text{ } ^\circ\text{C} / \text{LSB} \times T_{\text{CODE}}) - 55 \text{ } ^\circ\text{C}$

Symbol	Parameter	Conditions	Min	Typ	Max	Unit	Notes
ΔT <sub>MAX-MIN</sub>	Sensitivity	—	0.93	1	1.08	°C / LSB	C
T <sub>ERROR</sub>	Error	—	—	0	—	LSB	C
T <sub>UNDER</sub>	Underflow	—	—	1	—	LSB	C
T <sub>OVER</sub>	Overflow	—	—	255	—	LSB	C
T <sub>MIN</sub>	Temperature measurement	T <sub>A</sub> = -50 °C	0	5	10	LSB	C
T <sub>RATE-MIN</sub>	Temperature measurement	T <sub>A</sub> = -40 °C	11	15	19	LSB	C
T <sub>CODE</sub>	Temperature measurement	T <sub>A</sub> = -20 °C	32	35	38	LSB	A
T <sub>CODE</sub>	Temperature measurement	T <sub>A</sub> = 0 °C	52	55	58	LSB	C
T <sub>CODE</sub>	Temperature measurement	T <sub>A</sub> = 25 °C	77	80	83	LSB	A
T <sub>CODE</sub>	Temperature measurement	T <sub>A</sub> = 70 °C	122	125	128	LSB	C
T <sub>CODE</sub>	Temperature measurement	T <sub>A</sub> = 85 °C	137	140	143	LSB	A
T <sub>CODE</sub>	Temperature measurement	T <sub>A</sub> = 105 °C	156	160	164	LSB	C
T <sub>RATE-MAX</sub>	Temperature measurement	T <sub>A</sub> = 125 °C	175	180	185	LSB	B
T <sub>MAX</sub>	Temperature measurement	T <sub>A</sub> = 150 °C <sup>[1]</sup>	195	205	215	LSB	C
T <sub>DRIFT</sub>	Temperature measurement drift	—	-2	—	+2	LSB	C

[1] Temperature excursions, time at T<sub>MAX</sub> must not exceed 12 events of 15 minutes duration during the product lifetime.

## 9.7 Voltage measurement characteristics

**Table 68. Voltage measurement characteristics**

$V_{DD5} \text{ Min} \leq V_{DD} \leq V_{DD5} \text{ Max}$ ,  $T_{AS} \text{ Min} \leq T_A \leq T_{AS} \text{ Max}$ , unless otherwise specified.

Transfer function:  $V = (\Delta V_{\text{MAX-MIN}} \text{ V} / \text{LSB} \times V_{\text{CODE}}) + 1.22 \text{ V}$

Interpolated limits between -40 °C to 0 °C and between 50 °C to 125 °C.

Symbol	Parameter	Conditions	Min	Typ	Max	Unit	Notes
ΔV <sub>MAX-MIN</sub>	Sensitivity	—	9	10	12	mV / LSB	C
V <sub>ERROR</sub>	Error	—	—	0	—	LSB	C
V <sub>UNDER</sub>	Underflow	—	—	1	—	LSB	C
V <sub>OVER</sub>	Overflow	—	—	255	—	LSB	C
V <sub>CODE</sub>	V <sub>DD</sub> voltage, 2.8 V	0 °C ≤ T <sub>A</sub> ≤ 50 °C, V <sub>DD</sub> = 2.8 V	153	158	163	LSB	C
V <sub>CODE</sub>	V <sub>DD</sub> voltage, 3.0 V	0 °C ≤ T <sub>A</sub> ≤ 50 °C, V <sub>DD</sub> = 3.0 V	173	178	183	LSB	C
V <sub>CODE</sub>	V <sub>DD</sub> voltage, 3.3 V	0 °C ≤ T <sub>A</sub> ≤ 50 °C, V <sub>DD</sub> = 3.3 V	203	208	213	LSB	C

**Table 68. Voltage measurement characteristics...continued**

$V_{DDs\ Min} \leq V_{DD} \leq V_{DDs\ Max}$ ,  $T_{AS\ Min} \leq T_A \leq T_{AS\ Max}$ , unless otherwise specified.

Transfer function:  $V = (\Delta V_{MAX-MIN} V / LSB \times V_{CODE}) + 1.22 V$

Interpolated limits between  $-40\ ^\circ C$  to  $0\ ^\circ C$  and between  $50\ ^\circ C$  to  $125\ ^\circ C$ .

Symbol	Parameter	Conditions	Min	Typ	Max	Unit	Notes
V <sub>MIN</sub>	V <sub>DD</sub> voltage, 1.8 V	—	38	58	78	LSB	<a href="#">C</a>
V <sub>CODE</sub>	V <sub>DD</sub> voltage, 2.1 V	—	68	88	108	LSB	<a href="#">B</a>
V <sub>CODE</sub>	V <sub>DD</sub> voltage, 2.3 V	$-40\ ^\circ C \leq T_A \leq 0\ ^\circ C$ or $50\ ^\circ C \leq T_A \leq 125\ ^\circ C$ , $V_{DD} = 2.3 V$	98	108	118	LSB	<a href="#">C</a>
V <sub>CODE</sub>	V <sub>DD</sub> voltage, 2.8 V	$-40\ ^\circ C \leq T_A \leq 0\ ^\circ C$ or $50\ ^\circ C \leq T_A \leq 125\ ^\circ C$ , $V_{DD} = 2.8 V$	148	158	168	LSB	<a href="#">C</a>
V <sub>CODE</sub>	V <sub>DD</sub> voltage, 3.0 V	$-40\ ^\circ C \leq T_A \leq 0\ ^\circ C$ or $50\ ^\circ C \leq T_A \leq 125\ ^\circ C$ , $V_{DD} = 3.0 V$	168	178	188	LSB	<a href="#">B</a>
V <sub>CODE</sub>	V <sub>DD</sub> voltage, 3.3 V	$-40\ ^\circ C \leq T_A \leq 0\ ^\circ C$ or $50\ ^\circ C \leq T_A \leq 125\ ^\circ C$ , $V_{DD} = 3.3 V$	198	208	218	LSB	<a href="#">C</a>
V <sub>MAX</sub>	V <sub>DD</sub> voltage, 3.6 V	—	228	238	248	LSB	<a href="#">C</a>
V <sub>DRIFT</sub>	Voltage drift	—	-2	—	+2	LSB	<a href="#">C</a>

## 9.8 Pressure measurement characteristics

Unless otherwise noted, stated tolerances are valid only with internal sequence timing as described in [Section 6.9.4](#).

### 9.8.1 Pressure measurement characteristic (40 kPa to 250 kPa) range

**Table 69. Pressure measurement characteristics (40 kPa to 250 kPa) range, standard tolerances**

$V_{DDM\ Min} \leq V_{DD} \leq V_{DDM\ Max}$ ,  $T_{AS\ Min} \leq T_A \leq T_{AS\ Max}$ , unless otherwise specified.

Transfer function:  $P\ kPa = (\Delta P_{MAX-MIN}\ kPa / LSB \times P_{CODE}) + 39.6\ kPa$

Symbol	Parameter	Conditions	Min	Typ	Max	Unit	Notes
$\Delta P_{MAX-MIN}$	Sensitivity	$-20\ ^\circ C \leq T_A \leq 85\ ^\circ C$	0.20	0.206	0.21	kPa / LSB	<a href="#">C</a>
P <sub>ERROR</sub>	Error	—	—	0	—	LSB	<a href="#">C</a>
P <sub>UNDER</sub>	Underflow	FW error status bit 0 = 1	—	1	—	LSB	<a href="#">C</a>
P <sub>OVER</sub>	Overflow	FW error status bit 0 = 1	—	1023	—	LSB	<a href="#">C</a>
P <sub>MIN</sub>	Proof pressure, 40 kPa	$-40\ ^\circ C$ to $+85\ ^\circ C$	—	2	17	LSB	<a href="#">C</a>
P <sub>CODE</sub>	Proof pressure, 75 kPa	$-40\ ^\circ C$ to $+85\ ^\circ C$	162	172	187	LSB	<a href="#">C</a>
P <sub>CODE</sub>	Proof pressure, 110 kPa	$-40\ ^\circ C$ to $+85\ ^\circ C$	332	342	357	LSB	<a href="#">C</a>
P <sub>CODE</sub>	Proof pressure, 145 kPa	$-40\ ^\circ C$ to $+85\ ^\circ C$	502	512	527	LSB	<a href="#">C</a>
P <sub>CODE</sub>	Proof pressure, 180 kPa	$-40\ ^\circ C$ to $+85\ ^\circ C$	672	682	697	LSB	<a href="#">C</a>
P <sub>CODE</sub>	Proof pressure, 215 kPa	$-40\ ^\circ C$ to $+85\ ^\circ C$	842	852	867	LSB	<a href="#">C</a>
P <sub>MAX</sub>	Proof pressure, 250 kPa	$-40\ ^\circ C$ to $+85\ ^\circ C$	1012	1022	—	LSB	<a href="#">C</a>
P <sub>MIN</sub>	Proof pressure, 40 kPa	$+125\ ^\circ C$	—	2	24	LSB	<a href="#">C</a>
P <sub>CODE</sub>	Proof pressure, 75 kPa	$+125\ ^\circ C$	157	172	194	LSB	<a href="#">C</a>
P <sub>CODE</sub>	Proof pressure, 110 kPa	$+125\ ^\circ C$	327	342	364	LSB	<a href="#">C</a>
P <sub>CODE</sub>	Proof pressure, 145 kPa	$+125\ ^\circ C$	497	512	534	LSB	<a href="#">C</a>
P <sub>CODE</sub>	Proof pressure, 180 kPa	$+125\ ^\circ C$	667	682	704	LSB	<a href="#">C</a>
P <sub>CODE</sub>	Proof pressure, 215 kPa	$+125\ ^\circ C$	837	852	874	LSB	<a href="#">C</a>

**Table 69. Pressure measurement characteristics (40 kPa to 250 kPa) range, standard tolerances...continued**

$V_{DDM\ Min} \leq V_{DD} \leq V_{DDM\ Max}$ ,  $T_{AS\ Min} \leq T_A \leq T_{AS\ Max}$ , unless otherwise specified.  
 Transfer function:  $P\ kPa = (\Delta P_{MAX-MIN}\ kPa / LSB \times P_{CODE}) + 39.6\ kPa$

Symbol	Parameter	Conditions	Min	Typ	Max	Unit	Notes
P <sub>MAX</sub>	Proof pressure, 250 kPa	+125 °C	1007	1022	—	LSB	C

Tolerances between 85 °C and 125 °C are approximated by linear interpolation.

## 10 Mechanical specifications

### 10.1 Maximum ratings (mechanical)

Maximum ratings are the extreme limits the device can be exposed without permanent damage. The device contains circuitry to protect the inputs against damage from high static voltages; however, do not apply voltages higher than the values shown in [Table 70](#). Keep V<sub>IN</sub> and V<sub>OUT</sub> within the range  $V_{SS} \leq (V_{IN}\ \text{or}\ V_{OUT}) \leq V_{DD}$ .

**Table 70. Maximum ratings**

Symbol	Parameter	Conditions	Min	Typ	Max	Unit	Notes
P <sub>burst1k</sub>	Pressure transducer, minimum burst pressure	≤ 1000 kPa rating	2000	—	—	kPa	D
f <sub>P0</sub>	Pressure transducer, minimum natural resonance frequency	—	—	5	—	MHz	D
Q <sub>P</sub>	Pressure transducer damping ratio	—	—	1	—	—	D
PA <sub>N</sub>	Pressure transducer, sensitivity to vertical acceleration	-500 g ≤ A ≤ +500 g	—	0	—	Pa / g	C
PA <sub>neg</sub>	Pressure transducer, sensitivity to vertical acceleration	A < -500 g	2	4.5	6.5	Pa / g	C
m	Package Mass	—	—	0.2	—	gram	D

### 10.2 Media compatibility

Media compatibility is based on the media and test methods described in NXP specification NXPOMS-1719007347-3772.<sup>[1]</sup> Consult your sales representative for more details and specific requirements.

**Note:**

*The devices contain a gel that protects the pressure transducer and its inter-die connection wires from corrosion, which might otherwise result in catastrophic failure modes. NXP has observed that direct exposure to materials with the same or nearly-the-same solubility can potentially result in a corruption of the protective gel. A corruption can be less than catastrophic in nature, however may result in an offset of the pressure measurement from its factory calibrated value. An offset can potentially be larger than the allowed tolerances published in this data sheet.*

*Further, NXP does not recommend direct exposure to strong acid or strong base compounds as they can potentially result in a similar corruption as described above, or may result in a dissolution of the protective gel and/or the metal lid adhesive and/or the plastic device body. Such a dissolution can be catastrophic in nature, damaging the transducer surfaces and/or internal wire bonds and/or the control die surfaces. A potential dissolution may result in a similar offset, or cause the device to indicate overflow/underflow status, or may cause the device to cease operating in the worst case.*

*For a list of compounds known to generate out-of-tolerance offsets and/or catastrophic device failure, please contact an NXP sales representative.*

## 11 Mounting recommendations

---

The package should be mounted with the pressure port pointing away from sources of debris which might otherwise plug the sensor.

A plugged port exhibits no change in pressure and can be cross-checked in the user software.

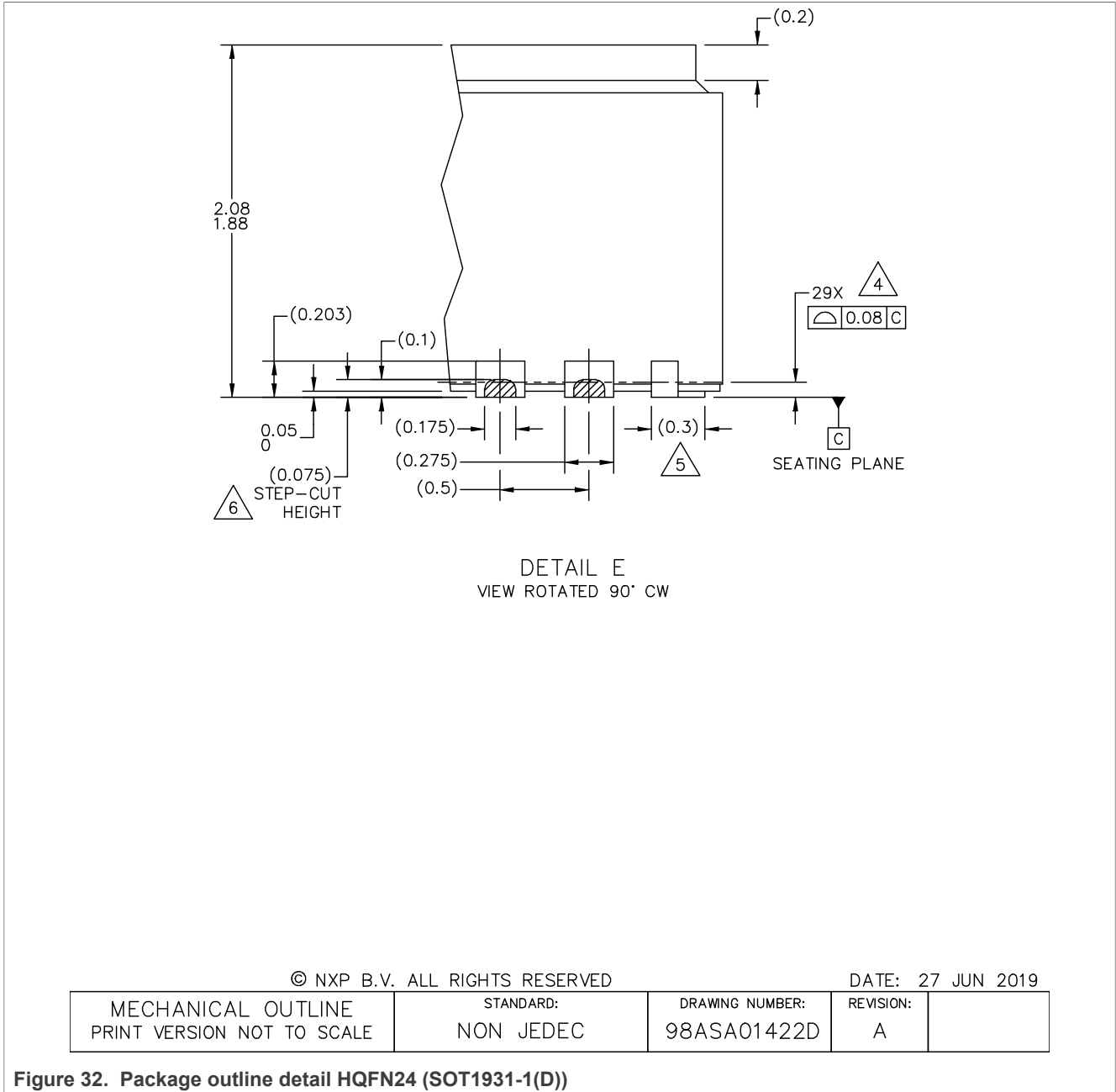
Refer to application note AN1902<sup>[2]</sup> for proper printed circuit board attributes and recommendations.

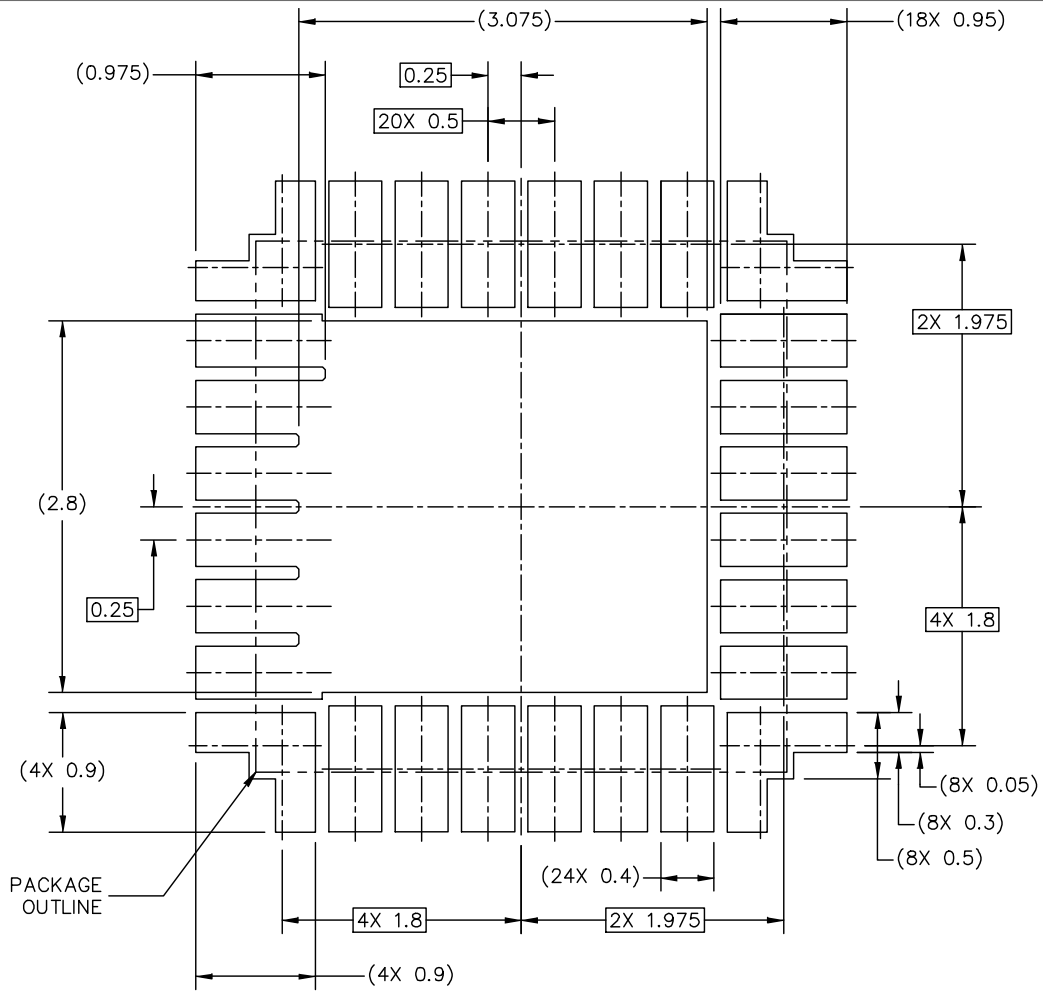
## 12 Package outline

---

Consult the most recently issued drawings before initiating or completing a design. The drawings are available for download at [https://www.nxp.com/docs/en/package-information/SOT1931-1\\_D.pdf](https://www.nxp.com/docs/en/package-information/SOT1931-1_D.pdf).







PCB DESIGN GUIDELINES – SOLDER MASK OPENING PATTERN

THIS SHEET SERVES ONLY AS A GUIDELINE TO HELP DEVELOP A USER SPECIFIC SOLUTION. DEVELOPMENT EFFORT WILL STILL BE REQUIRED BY END USERS TO OPTIMIZE PCB MOUNTING PROCESSES AND BOARD DESIGN IN ORDER TO MEET INDIVIDUAL/SPECIFIC REQUIREMENTS.

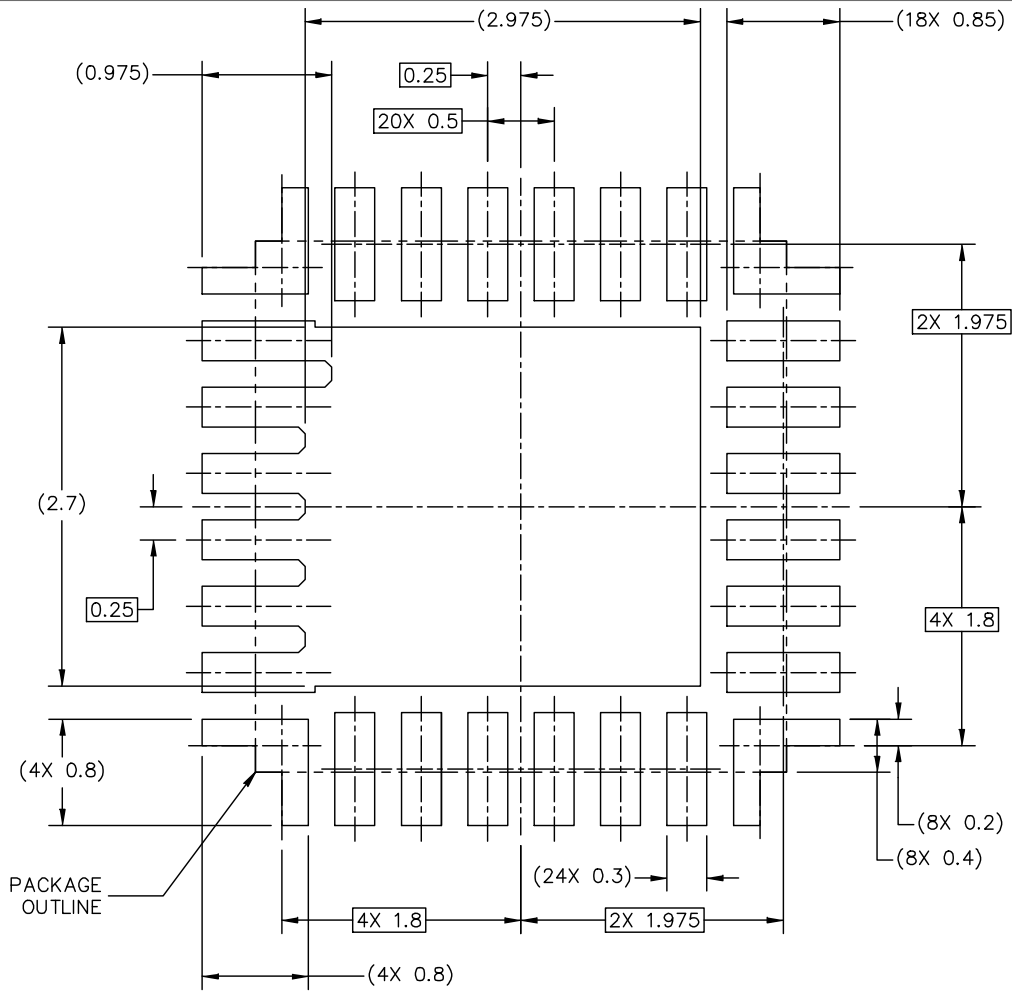
© NXP B.V. ALL RIGHTS RESERVED

DATE: 27 JUN 2019

MECHANICAL OUTLINE PRINT VERSION NOT TO SCALE	STANDARD: NON JEDEC	DRAWING NUMBER: 98ASA01422D	REVISION: A	
--	------------------------	--------------------------------	----------------	--

Figure 33. Reflow soldering footprint part1 for HQFN24 (SOT1931-1(D))





PCB DESIGN GUIDELINES – I/O PADS AND SOLDERABLE AREA

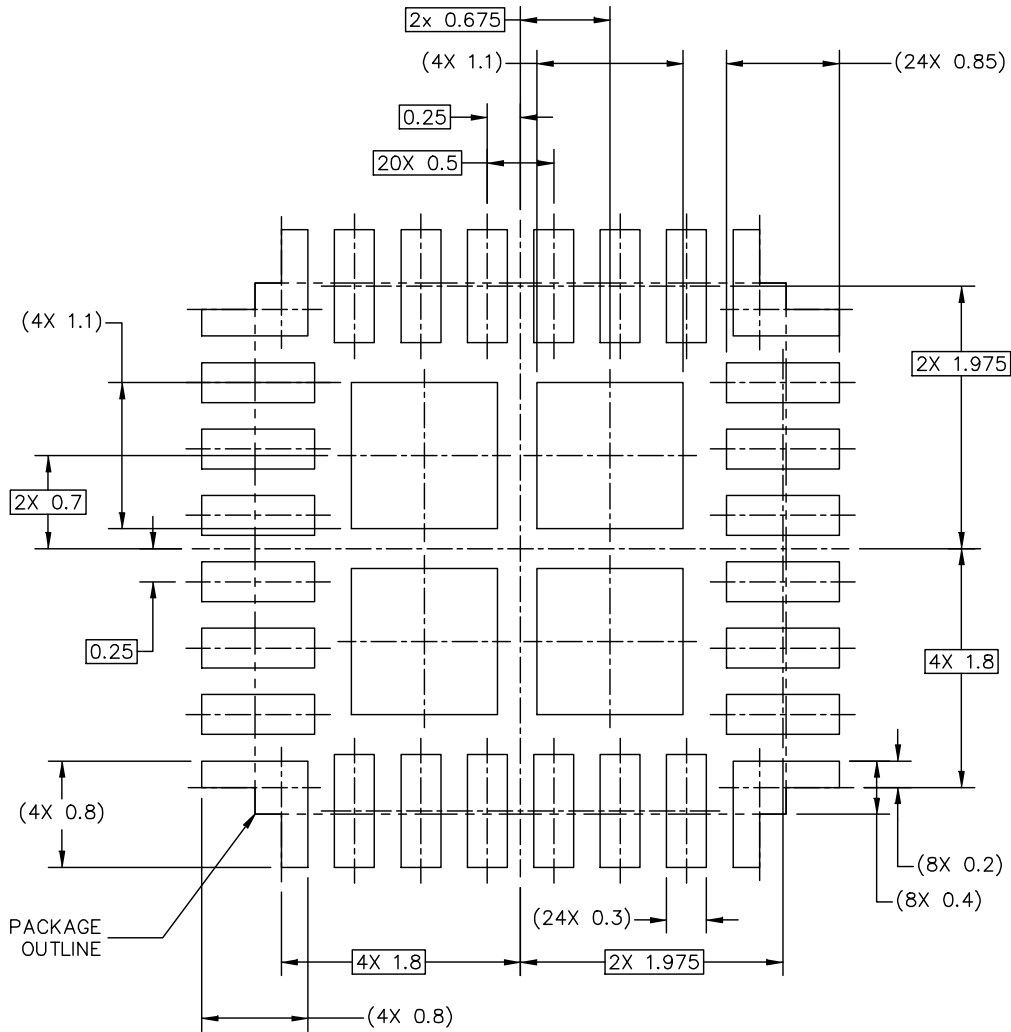
THIS SHEET SERVES ONLY AS A GUIDELINE TO HELP DEVELOP A USER SPECIFIC SOLUTION. DEVELOPMENT EFFORT WILL STILL BE REQUIRED BY END USERS TO OPTIMIZE PCB MOUNTING PROCESSES AND BOARD DESIGN IN ORDER TO MEET INDIVIDUAL/SPECIFIC REQUIREMENTS.

© NXP B.V. ALL RIGHTS RESERVED

DATE: 27 JUN 2019

MECHANICAL OUTLINE PRINT VERSION NOT TO SCALE	STANDARD: NON JEDEC	DRAWING NUMBER: 98ASA01422D	REVISION: A	
--	------------------------	--------------------------------	----------------	--

Figure 34. Reflow soldering footprint part2 for HQFN24 (SOT1931-1(D))



RECOMMENDED STENCIL THICKNESS 0.125

PCB DESIGN GUIDELINES – SOLDER PASTE STENCIL

THIS SHEET SERVES ONLY AS A GUIDELINE TO HELP DEVELOP A USER SPECIFIC SOLUTION. DEVELOPMENT EFFORT WILL STILL BE REQUIRED BY END USERS TO OPTIMIZE PCB MOUNTING PROCESSES AND BOARD DESIGN IN ORDER TO MEET INDIVIDUAL/SPECIFIC REQUIREMENTS.

© NXP B.V. ALL RIGHTS RESERVED

DATE: 27 JUN 2019

MECHANICAL OUTLINE PRINT VERSION NOT TO SCALE	STANDARD: NON JEDEC	DRAWING NUMBER: 98ASA01422D	REVISION: A	
--	------------------------	--------------------------------	----------------	--

Figure 35. Reflow soldering footprint part3 for HQFN24 (SOT1931-1(D))

NOTES:

1. ALL DIMENSIONS ARE IN MILLIMETERS.
2. DIMENSIONING AND TOLERANCING PER ASME Y14.5M-1994.
3. PIN 1 FEATURE SHAPE, SIZE AND LOCATION MAY VARY.
4. COPLANARITY APPLIES TO LEADS, DIE ATTACH FLAG AND CORNER NON-FUNCTIONAL PADS.
5. ANCHORING PADS.
6. STEP-CUT IS APPLIED FOR BURR REMOVAL ONLY.

© NXP B.V. ALL RIGHTS RESERVED

DATE: 27 JUN 2019

MECHANICAL OUTLINE PRINT VERSION NOT TO SCALE	STANDARD: NON JEDEC	DRAWING NUMBER: 98ASA01422D	REVISION: A	
--	------------------------	--------------------------------	----------------	--

Figure 36. Package outline notes HQFN24 (SOT1931-1(D))

## 13 References

### NXP reference documents

- [1] NXP Specification NXPOMS-1719007347-3772, *Media Test for Automotive Pressure Sensors*
- [2] AN1902, *Assembly guidelines for QFN (quad flat no-lead) and SON (small outline no-lead) packages*

## 14 Revision history

Table 71. Revision history

Document ID	Release date	Data sheet status	Change notice	Supersedes
NBP9 v.3.2	20231103	Product data sheet	—	NBP9 v.3.1
Modifications:	<ul style="list-style-type: none"> <li>Updated the legal page content.</li> </ul>			
NBP9 v.3.1	20230913	Product data sheet	—	NBP9 v.3
NBP9 v.3	20230308	Product data sheet	—	NBP9 v.2.4
NBP9 v.2.4	20220311	Product data sheet	—	NBP9 v.2.3
NBP9 v.2.3	20210927	Product data sheet	—	NBP9 v.2.2
NBP9 v.2.2	20210727	Product data sheet	—	NBP9 v.2.1
NBP9 v.2.1	20210604	Product data sheet	—	NBP9 v.2
NBP9 v.2	20210507	Product data sheet	—	NBP9 v.1
NBP9 v.1	20200826	Objective data sheet	—	—

## Legal information

### Data sheet status

Document status <sup>[1][2]</sup>	Product status <sup>[3]</sup>	Definition
Objective [short] data sheet	Development	This document contains data from the objective specification for product development.
Preliminary [short] data sheet	Qualification	This document contains data from the preliminary specification.
Product [short] data sheet	Production	This document contains the product specification.

[1] Please consult the most recently issued document before initiating or completing a design.

[2] The term 'short data sheet' is explained in section "Definitions".

[3] The product status of device(s) described in this document may have changed since this document was published and may differ in case of multiple devices. The latest product status information is available on the Internet at URL <https://www.nxp.com>.

### Definitions

**Draft** — A draft status on a document indicates that the content is still under internal review and subject to formal approval, which may result in modifications or additions. NXP Semiconductors does not give any representations or warranties as to the accuracy or completeness of information included in a draft version of a document and shall have no liability for the consequences of use of such information.

**Short data sheet** — A short data sheet is an extract from a full data sheet with the same product type number(s) and title. A short data sheet is intended for quick reference only and should not be relied upon to contain detailed and full information. For detailed and full information see the relevant full data sheet, which is available on request via the local NXP Semiconductors sales office. In case of any inconsistency or conflict with the short data sheet, the full data sheet shall prevail.

**Product specification** — The information and data provided in a Product data sheet shall define the specification of the product as agreed between NXP Semiconductors and its customer, unless NXP Semiconductors and customer have explicitly agreed otherwise in writing. In no event however, shall an agreement be valid in which the NXP Semiconductors product is deemed to offer functions and qualities beyond those described in the Product data sheet.

### Disclaimers

**Limited warranty and liability** — Information in this document is believed to be accurate and reliable. However, NXP Semiconductors does not give any representations or warranties, expressed or implied, as to the accuracy or completeness of such information and shall have no liability for the consequences of use of such information. NXP Semiconductors takes no responsibility for the content in this document if provided by an information source outside of NXP Semiconductors.

In no event shall NXP Semiconductors be liable for any indirect, incidental, punitive, special or consequential damages (including - without limitation - lost profits, lost savings, business interruption, costs related to the removal or replacement of any products or rework charges) whether or not such damages are based on tort (including negligence), warranty, breach of contract or any other legal theory.

Notwithstanding any damages that customer might incur for any reason whatsoever, NXP Semiconductors' aggregate and cumulative liability towards customer for the products described herein shall be limited in accordance with the Terms and conditions of commercial sale of NXP Semiconductors.

**Right to make changes** — NXP Semiconductors reserves the right to make changes to information published in this document, including without limitation specifications and product descriptions, at any time and without notice. This document supersedes and replaces all information supplied prior to the publication hereof.

**Applications** — Applications that are described herein for any of these products are for illustrative purposes only. NXP Semiconductors makes no representation or warranty that such applications will be suitable for the specified use without further testing or modification.

Customers are responsible for the design and operation of their applications and products using NXP Semiconductors products, and NXP Semiconductors accepts no liability for any assistance with applications or customer product design. It is customer's sole responsibility to determine whether the NXP Semiconductors product is suitable and fit for the customer's applications and products planned, as well as for the planned application and use of customer's third party customer(s). Customers should provide appropriate design and operating safeguards to minimize the risks associated with their applications and products.

NXP Semiconductors does not accept any liability related to any default, damage, costs or problem which is based on any weakness or default in the customer's applications or products, or the application or use by customer's third party customer(s). Customer is responsible for doing all necessary testing for the customer's applications and products using NXP Semiconductors products in order to avoid a default of the applications and the products or of the application or use by customer's third party customer(s). NXP does not accept any liability in this respect.

**Limiting values** — Stress above one or more limiting values (as defined in the Absolute Maximum Ratings System of IEC 60134) will cause permanent damage to the device. Limiting values are stress ratings only and (proper) operation of the device at these or any other conditions above those given in the Recommended operating conditions section (if present) or the Characteristics sections of this document is not warranted. Constant or repeated exposure to limiting values will permanently and irreversibly affect the quality and reliability of the device.

**Terms and conditions of commercial sale** — NXP Semiconductors products are sold subject to the general terms and conditions of commercial sale, as published at <https://www.nxp.com/profile/terms>, unless otherwise agreed in a valid written individual agreement. In case an individual agreement is concluded only the terms and conditions of the respective agreement shall apply. NXP Semiconductors hereby expressly objects to applying the customer's general terms and conditions with regard to the purchase of NXP Semiconductors products by customer.

**No offer to sell or license** — Nothing in this document may be interpreted or construed as an offer to sell products that is open for acceptance or the grant, conveyance or implication of any license under any copyrights, patents or other industrial or intellectual property rights.

**Suitability for use in automotive applications** — This NXP product has been qualified for use in automotive applications. If this product is used by customer in the development of, or for incorporation into, products or services (a) used in safety critical applications or (b) in which failure could lead to death, personal injury, or severe physical or environmental damage (such products and services hereinafter referred to as “Critical Applications”), then customer makes the ultimate design decisions regarding its products and is solely responsible for compliance with all legal, regulatory, safety, and security related requirements concerning its products, regardless of any information or support that may be provided by NXP. As such, customer assumes all risk related to use of any products in Critical Applications and NXP and its suppliers shall not be liable for any such use by customer. Accordingly, customer will indemnify and hold NXP harmless from any claims, liabilities, damages and associated costs and expenses (including attorneys’ fees) that NXP may incur related to customer’s incorporation of any product in a Critical Application.

**Quick reference data** — The Quick reference data is an extract of the product data given in the Limiting values and Characteristics sections of this document, and as such is not complete, exhaustive or legally binding.

**Export control** — This document as well as the item(s) described herein may be subject to export control regulations. Export might require a prior authorization from competent authorities.

**Translations** — A non-English (translated) version of a document, including the legal information in that document, is for reference only. The English version shall prevail in case of any discrepancy between the translated and English versions.

**Security** — Customer understands that all NXP products may be subject to unidentified vulnerabilities or may support established security standards or specifications with known limitations. Customer is responsible for the design and operation of its applications and products throughout their lifecycles to reduce the effect of these vulnerabilities on customer’s applications and products. Customer’s responsibility also extends to other open and/or proprietary technologies supported by NXP products for use in customer’s applications. NXP accepts no liability for any vulnerability. Customer should regularly check security updates from NXP and follow up appropriately. Customer shall select products with security features that best meet rules, regulations, and standards of the intended application and make the ultimate design decisions regarding its products and is solely responsible for compliance with all legal, regulatory, and security related requirements concerning its products, regardless of any information or support that may be provided by NXP.

NXP has a Product Security Incident Response Team (PSIRT) (reachable at [PSIRT@nxp.com](mailto:PSIRT@nxp.com)) that manages the investigation, reporting, and solution release to security vulnerabilities of NXP products.

**NXP B.V.** — NXP B.V. is not an operating company and it does not distribute or sell products.

## Trademarks

Notice: All referenced brands, product names, service names, and trademarks are the property of their respective owners.

**NXP** — wordmark and logo are trademarks of NXP B.V.

## Tables

Tab. 1.	Ordering information .....	1	Tab. 34.	Sensor Status (SENSTATUS) (address 0x0056) .....	40
Tab. 2.	Ordering options .....	2	Tab. 35.	SENSTATUS fields description .....	40
Tab. 3.	Pin description .....	3	Tab. 36.	Command (CMD) (address 0x0057) .....	40
Tab. 4.	Connection pins description .....	7	Tab. 37.	CMD fields description .....	41
Tab. 5.	SPI protocol architecture .....	10	Tab. 38.	Pressure Change Debounce Threshold (PCDEBT) (address 0x0058) .....	41
Tab. 6.	16-bit SPI command to read the NBP firmware derivative .....	12	Tab. 39.	PCDEBT fields description .....	41
Tab. 7.	16-bit SPI command to read the NBP firmware version number .....	12	Tab. 40.	Pressure Change Fixed Threshold High (PCFIXTH) (address 0x0059) .....	42
Tab. 8.	Example of SPI response from the NBP8 to the command 0x2016 .....	12	Tab. 41.	Pressure Change Fixed Threshold Low (PCFIXTL) (address 0x005A) .....	42
Tab. 9.	Example of SPI response from the NBP9 to the command 0x2016 .....	12	Tab. 42.	PCFIXTH/L fields description .....	42
Tab. 10.	Example of SPI response from the NBP to the command 0x2013 .....	13	Tab. 43.	Pressure Change Minimum Threshold (PCMINT) (address \$005B) .....	42
Tab. 11.	Content of the hardware version byte at SPI address \$1542 .....	13	Tab. 44.	PCMINT fields description .....	42
Tab. 12.	Content of the hardware version byte at SPI address \$1543 .....	13	Tab. 45.	Pressure Change Relative Threshold High (PCRELTH) (address \$005C) .....	43
Tab. 13.	16-bit SPI command to read the NBP hardware version at SPI address \$1542 .....	14	Tab. 46.	Pressure Change Relative Threshold Low (PCRELTL) (address \$005D) .....	43
Tab. 14.	16-bit SPI command to read the NBP hardware version at SPI address \$1543 .....	14	Tab. 47.	PCRELTH/L fields description .....	43
Tab. 15.	Example of SPI response from the NBP to the command 0x550A .....	14	Tab. 48.	Pressure Change Slope Threshold High (PCSLOPETH) (address 0x005E) .....	43
Tab. 16.	Example of SPI response from the NBP to the command 0x550F .....	14	Tab. 49.	Pressure Change Slope Threshold Low (PCSLOPETL) (address 0x005F) .....	43
Tab. 17.	List of the main software-implemented features .....	15	Tab. 50.	PCSLOPETH/L fields description .....	43
Tab. 18.	Summary of execution times .....	34	Tab. 51.	Temperature measurement (TCODE) (address \$0070) .....	44
Tab. 19.	Read and write addresses summary .....	35	Tab. 52.	TCODE fields description .....	44
Tab. 20.	SPI Operations (SPIOPS) (address 0x0038) .....	35	Tab. 53.	Voltage measurement (VCODE) (address \$0071) .....	44
Tab. 21.	SPIOPS fields description .....	36	Tab. 54.	Voltage measurement fields description .....	44
Tab. 22.	Mode Configuration (MODECFG) (address 0x0050) .....	36	Tab. 55.	Index of the pressure FIFO (INDFIFO) (address \$0075) .....	45
Tab. 23.	MODECFG fields description .....	36	Tab. 56.	INDFIFO fields description .....	45
Tab. 24.	Self-Test Execution Period (STPER) (address 0x0051) .....	36	Tab. 57.	Pressure FIFO (PFIFOH/Lx) (addresses \$0076 - \$008D) .....	45
Tab. 25.	STPER fields description .....	37	Tab. 58.	PFIFOH/Lx fields description .....	45
Tab. 26.	PIN Configuration (PINCFG) (address 0x0052) .....	37	Tab. 59.	Maximum ratings .....	46
Tab. 27.	PINCFG fields description .....	37	Tab. 60.	Operating range .....	46
Tab. 28.	Interrupt pulse Trigger (INTTRIG) (address 0x0053) .....	37	Tab. 61.	Electrical and mechanical specification note definition table .....	47
Tab. 29.	INTTRIG fields description .....	37	Tab. 62.	Charge consumptions .....	47
Tab. 30.	Pressure Change Configuration (PCCFG) (address \$0054) .....	38	Tab. 63.	Clocks and thresholds .....	47
Tab. 31.	PCCFG fields description .....	38	Tab. 64.	Power-on reset .....	48
Tab. 32.	Status of the latest executions (STATUS) (address 0x0055) .....	39	Tab. 65.	GPIO port pins .....	48
Tab. 33.	STATUS fields description .....	39	Tab. 66.	SPI timing .....	49
			Tab. 67.	Temperature measurement .....	50
			Tab. 68.	Voltage measurement characteristics .....	50
			Tab. 69.	Pressure measurement characteristics (40 kPa to 250 kPa) range, standard tolerances ...	51
			Tab. 70.	Maximum ratings .....	52
			Tab. 71.	Revision history .....	60

**Figures**

Fig. 1.	Block diagram .....	2	Fig. 23.	SPI timing description when transfers are requested by the NBP9 via the INT pin, with INTTRIG_INTPOL=1 and MODECFG_PWMPOL=0 .....	31
Fig. 2.	Pin configuration .....	3	Fig. 24.	SPI timing description when transfers are requested by the NBP9 via the INT pin, with PINCFG_PINCG=5, INTTRIG_INTPOL=1 and MODECFG_PWMPOL=0 .....	31
Fig. 3.	NBP9 application .....	6	Fig. 25.	Sequence of periodic events in Eco mode .....	32
Fig. 4.	Connections between the NBP9 and external host .....	7	Fig. 26.	Sequence of periodic events in Normal mode .....	32
Fig. 5.	Client SPI state machine .....	9	Fig. 27.	Expected sequence of events when an event requiring attention occurs .....	33
Fig. 6.	SPI message response protocol .....	9	Fig. 28.	Sequence of events when an event requiring attention occurs and the external host does not request SPI transfers within the timeout limit .....	33
Fig. 7.	SPI signal timing diagram .....	11	Fig. 29.	Sequence of events when the external host requests SPI transfers and then clears the SPIOPS register .....	34
Fig. 8.	State-transition diagram .....	17	Fig. 30.	Sequence of events when the external host requests SPI transfers but does not clear the SPIOPS register .....	34
Fig. 9.	Fixed Threshold algorithm flow .....	19	Fig. 31.	Package outline HQFN24 (SOT1931-1(D)) .....	54
Fig. 10.	Example of execution of the fixed threshold algorithm .....	20	Fig. 32.	Package outline detail HQFN24 (SOT1931-1(D)) .....	55
Fig. 11.	Relative threshold algorithm flow .....	21	Fig. 33.	Reflow soldering footprint part1 for HQFN24 (SOT1931-1(D)) .....	56
Fig. 12.	Example of execution of the relative threshold algorithm .....	22	Fig. 34.	Reflow soldering footprint part2 for HQFN24 (SOT1931-1(D)) .....	57
Fig. 13.	Slope threshold algorithm flow .....	23	Fig. 35.	Reflow soldering footprint part3 for HQFN24 (SOT1931-1(D)) .....	58
Fig. 14.	Example of slope threshold algorithm flow .....	25	Fig. 36.	Package outline notes HQFN24 (SOT1931-1(D)) .....	59
Fig. 15.	Pressure FIFO filled for the first 25 samples .....	26			
Fig. 16.	PWM duty cycle, with MODECFG_PWMPOL=0 .....	27			
Fig. 17.	Duty cycle = 95 %, with CFGMODE_PWMPOL = 0 .....	27			
Fig. 18.	Duty cycle = 10 %, with CFGMODE_PWMPOL .....	27			
Fig. 19.	Duty cycle = 90 %, with CFGMODE_PWMPOL=0 .....	27			
Fig. 20.	Duty cycle between 10 % and 90 %, with CFGMODE_PWMPOL=0 .....	28			
Fig. 21.	SPI timing description when transfers are requested by the external host via the WAKE-UP pin, with INTTRIG_INTPOL=1 .....	29			
Fig. 22.	Sequence leading to a clock fault error on the NBP9 side .....	30			



## Contents

<b>1</b>	<b>General description</b> .....	<b>1</b>	9.8.1	Pressure measurement characteristic (40 kPa to 250 kPa) range .....	51
<b>2</b>	<b>Features and benefits</b> .....	<b>1</b>	<b>10</b>	<b>Mechanical specifications</b> .....	<b>52</b>
<b>3</b>	<b>Ordering information</b> .....	<b>1</b>	10.1	Maximum ratings (mechanical) .....	52
<b>4</b>	<b>Block diagram</b> .....	<b>2</b>	10.2	Media compatibility .....	52
<b>5</b>	<b>Pinning information</b> .....	<b>3</b>	<b>11</b>	<b>Mounting recommendations</b> .....	<b>53</b>
5.1	Pinning .....	3	<b>12</b>	<b>Package outline</b> .....	<b>53</b>
5.2	Pin description .....	3	<b>13</b>	<b>References</b> .....	<b>59</b>
5.3	Application .....	6	<b>14</b>	<b>Revision history</b> .....	<b>60</b>
<b>6</b>	<b>Functional description</b> .....	<b>7</b>		<b>Legal information</b> .....	<b>61</b>
6.1	Communication between the NBP9 and external host .....	7			
6.2	Serial peripheral interface (SPI) module .....	8			
6.2.1	SPI protocol definition .....	10			
6.2.2	SPI signal timing definition .....	11			
6.3	Reading the firmware derivative and version number .....	11			
6.3.1	Firmware derivative and firmware version .....	11			
6.3.2	Hardware version numbers .....	13			
6.4	Main features .....	15			
6.5	State-transition diagram .....	15			
6.6	Pressure change detection description .....	18			
6.6.1	Overview .....	18			
6.6.2	Description of the fixed threshold option .....	18			
6.6.3	Description of the relative threshold option .....	20			
6.6.4	Description of the rate of change threshold option .....	22			
6.6.5	Description of the pressure FIFO .....	25			
6.7	PWM generation .....	26			
6.7.1	Conditions for PWM generation .....	26			
6.7.2	PWM duty cycles .....	27			
6.8	SPI transfer sequence .....	28			
6.8.1	SPI transfer requested by the external host via the WAKE-UP pin .....	28			
6.8.2	SPI transfer requested by the NBP9, when an event requiring attention occurred .....	30			
6.9	Typical sequence timings .....	31			
6.9.1	Periodic events .....	31			
6.9.2	Notification of an event requiring attention .....	32			
6.9.3	External host requesting an SPI transfer .....	33			
6.9.4	Summary of execution times .....	34			
6.10	Read/write targets accessible by the external host via SPI .....	35			
<b>7</b>	<b>Limiting values</b> .....	<b>46</b>			
<b>8</b>	<b>Recommended operating conditions</b> .....	<b>46</b>			
<b>9</b>	<b>Electrical specifications</b> .....	<b>47</b>			
9.1	Charge consumptions .....	47			
9.2	Clocks and thresholds .....	47			
9.3	Power-on reset operation .....	48			
9.4	GPIO port pins .....	48			
9.5	SPI timing characteristics .....	49			
9.6	Temperature measurement characteristics .....	50			
9.7	Voltage measurement characteristics .....	50			
9.8	Pressure measurement characteristics .....	51			

Please be aware that important notices concerning this document and the product(s) described herein, have been included in section 'Legal information'.