

Order this document  
by EB368/D  
REV 2

**MOTOROLA**  
*digital dna*™ 

*Semiconductor Products Sector  
Engineering Bulletin*

**EB368**

## **In-Circuit Programming of FLASH Memory Using the Monitor Mode for the MC68HC908GR8**

By Timothy J. Airaudi  
Applications Engineering, Microcontroller Division  
Austin, Texas

### **Introduction**

This engineering bulletin describes how to perform in-circuit programming (ICP) of the FLASH memory using monitor mode.

Two methods are discussed here:

- Using the M68ICS08GR in-circuit simulator (ICS) with P&E Microsystems software
- Using P&E Microsystems software with an external communications circuit

ICP is a process where user code is programmed into the device's FLASH memory after the part has been assembled into the application. ICP also allows the original users code to be erased and re-programmed. This method can be used in development, production/manufacturing and in a field environment.

© Motorola, Inc., 2001

*intelligence*  *everywhere*™

**For More Information On This Product,  
Go to: [www.freescale.com](http://www.freescale.com)**

## Using Monitor Mode for FLASH Programming

---

Motorola's current solution for ICP is the In-Circuit Simulators and P&E's software.

The software and ICSs allow programming of the parts on the simulator or in the target circuit via a MON08 ribbon cable. The software also allows programming of the part without the ICS, with an external communications circuit.

All of the programming described in this engineering bulletin is accomplished by placing the part into monitor mode. In this mode, erasing and programming are done through a single-wire interface with the host computer.

The two ways to enter monitor mode are:

- The ICS provides the entry requirements to enter standard monitor mode. These entry requirements must be implemented on the target board if the ICS is not used.
- A second way to enter monitor mode, that does not require a high voltage on the  $\overline{\text{IRQ}}$  pin, is called forced monitor mode. This mode does not need to meet all the monitor mode entry conditions of the standard monitor mode, but it does require the part to be blank (erased).

This engineering bulletin describes how to connect the part, communicate at different baud rates, place it into monitor mode, pass security, and erase and program the part. If the security code is not known, the contents of the FLASH can't be read, but the FLASH can be erased and reprogrammed.

Information on the M68ICS08GP can be found at:

<http://www.motorola.com/mcu/>

P&E Microsystems software can be downloaded free from that company's Web site.

**NOTE:** *All of the oscillators used in this application note were the 4 pin "powered" or "canned" type oscillators. Discussing all the different vendors of crystals, ceramic oscillators, other required external components, and component layout variables would be too extensive.*

**ICP Using  
 M68ICS08GR8's  
 MON08 Interface**

Use this procedure for performing ICP using the ICS's MON08 cable to the target application.

1. Materials required:
  - a. PC with P&E software installed (version 1.25 or higher)
  - b. M68ICS08GR simulator
  - c. Adapter/connector to connect the female end of the MON08 cable to the part on the target application
  - d. Pin assignment diagram (see [Figure 1](#) and [Figure 2](#))
  - e. Monitor mode entry requirements (see [Table 1](#))
  - f. Crystal oscillator on the target, or from an external clock source, with a value from [Table 2](#)
  - g. Target board must have the ability to perform a power-on reset (POR) not just a reset (required to enter monitor mode).
2. Connections (see [Figure 3](#)):
  - a. 9-pin serial cable from PC to the ICS
  - b. 5 volts to the ICS
  - c. MON08 cable from J4 of the ICS to the target board with these connections:
    - MON08 GND to the  $V_{SS}$  pin on the part
    - MON08 RST to the  $\overline{RST}$  pin on the part
    - MON08 IRQ to the  $\overline{IRQ}$  pin on the part
    - MON08 PTA0 to the PTA0 pin on the part
    - MON08 PTA1 to the PTA1 pin on the part
    - MON08 PTB0 to the PTB0 pin on the part
    - MON08 PTB1 to the PTB1 pin on the part
  - d. ICS jumpers in these positions:
    - W4 and W10 to  $V_{TST}$
    - W3 to normal
    - W6 to 5 V
  - e. It is assumed that all  $V_{DD}$  and  $V_{SS}$  pins on the part are already connected.

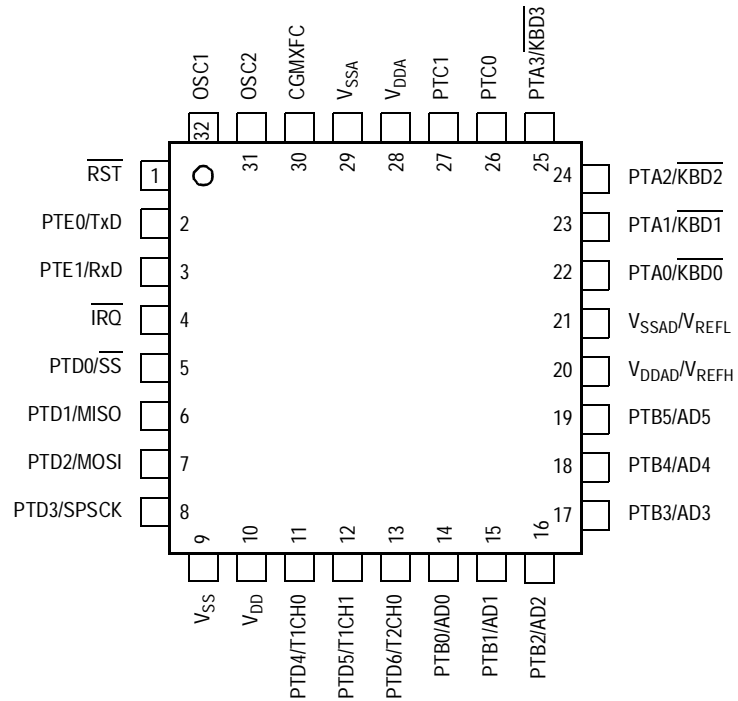
3. Operation — Standard monitor mode entry:
  - a. Launch P&E's WINIDE in the ICS08GRZ software.
  - b. Open desired file. (Demo file can be used.)
  - c. Assemble/Compile the file (see [Figure 7](#)).
  - d. Turn on power to the ICS.
  - e. Turn on power to the target.
  - f. Launch the programmer.
  - g. From "Target Hardware Type," select "Class II" (see [Figure 8](#)).
  - h. From "PC Serial Port Configuration," select the PC port you are using and the appropriate baud rate (see [Table 2](#)).
  - i. From "Target MCU Security Bytes" select appropriate security code (blank part = FF).
  - j. Select "Contact Target with these Settings..."
  - k. Follow the instructions in the "Power down/up Dialog" windows.
  - l. Select appropriate algorithm for the part.
  - m. Double click on "Erase Module" – EM (see [Figure 9](#))
  - n. Double click on "Program Module" – PM
  - o. Record security bytes. This information can be seen by quitting and then re-entering the programmer. The S19 record will have the same security bytes as the part just programmed as long as it is not changed. The security bytes consist of the information stored in the interrupt vectors, \$FFF6–\$FFFD.
  
4. Operation — Forced monitor mode entry:
  - a. Blank part with oscillator value from [Table 2](#):
    - Move jumper W4 and W10 to Vdd\_MCU.
    - PTB0 and PTB1 connections are not required.
  - b. Blank part with 32.768-kHz oscillator, 9600 baud:
    - Move jumper W3 to the "Forced 0" position.

**ICP Using  
the External  
Communications  
Circuit (No ICS)**

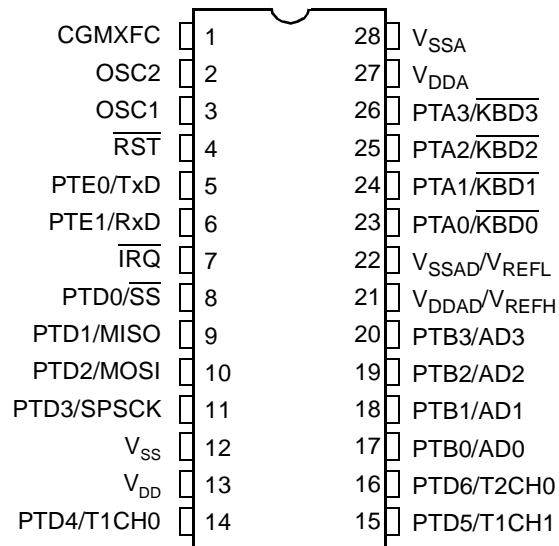
Use this procedure for performing ICP via an external communications circuit in place of this ICS to the target application.

1. Materials required:
  - a. PC with P&E software installed (version 1.25 or higher).
  - b. Adapter/connector to connect the male end of the 9 pin serial cable to the part on the target application.
  - c. RS-232 communications circuit. Also needed is a 5-volt power source to power this circuit. (see [Figure 4](#), [Figure 5](#), and [Figure 6](#))
  - d. Pin assignment diagram (see [Figure 1](#) and [Figure 2](#))
  - e. Monitor mode entry requirements (see [Table 1](#))
  - f. Crystal oscillator on the target, or from an external clock source, with a value from [Table 2](#)
  - g. Target board must have the ability to perform a POR not just a reset (required to enter monitor mode).
2. Connections (see [Figure 4](#)):
  - a. 9-pin serial cable from PC to the communications circuit
  - b. V+ pin of the RS-232 part to the  $\overline{\text{IRQ}}$  pin of the part
  - c. Communications pin of HC125 to PTA0 of the part.
  - d. Target pin requirements:
    - PTA1 of part to  $V_{SS}$
    - PTB0 of the part to  $V_{DD}$  via pullup resistor
    - PTB1 of the part to  $V_{SS}$
    - $\overline{\text{RESET}}$  has an internal pullup resistor.
  - e. It is assumed that all  $V_{DD}$  and  $V_{SS}$  pins on the part are already connected.
3. Operation — Standard monitor mode entry:
  - a. Launch P&E's WINIDE in the ICS08GR software.
  - b. Open desired file. (Demo file can be used.)
  - c. Assemble/Compile the file (see [Figure 7](#)).

- d. Apply power to the Communications Circuit.
  - e. Turn on power to the target.
  - f. Launch the programmer.
  - g. From “Target Hardware Type” select “Class III” (see [Figure 8](#)).
  - h. From “PC Serial Port Configuration,” select the PC port you are using and the appropriate baud rate (see [Table 2](#)).
  - i. From “Target MCU Security Bytes,” select appropriate security code (blank part = FF).
  - j. Select “Contact Target with these Settings...”
  - k. Follow the instructions in the “Power Cycle Dialog” window.
  - l. Select appropriate algorithm for the part.
  - m. Double click on “Erase Module” – EM (see [Figure 9](#)).
  - n. Double click on “Program Module” – PM.
  - o. Record security bytes. This information can be seen by quitting and then re-entering the programmer. The S19 record will have the same security bytes as the part just programmed as long as it is not changed. The security bytes consist of the information stored in the interrupt vectors, \$FFF6–\$FFFD.
4. Operation — Forced monitor mode entry:
- a. Blank part with oscillator value from [Table 2](#). See [Figure 5](#).
    - Remove connection to  $\overline{\text{IRQ}}$  pin of the part.
    - $\overline{\text{IRQ}}$  has internal pullup resistor.
    - PTB0 and PTB1 connections are not required.
    - If the crystal oscillator in the target is not a value listed in [Table 2](#), it is possible to "overdrive" the target crystal, with an external clock, for the short duration of the programming sequence. An example would be overdriving a target's 32.768-kHz crystal with a 9.8304-MHz external clock.
  - b. Blank part with 32.768-kHz oscillator. See [Figure 6](#).
    - Connect  $\overline{\text{IRQ}}$  pin to  $V_{\text{SS}}$ .



**Figure 1. QFP Pin Assignment**



NOTE: Ports PTB4, PTB5, PTC0, and PTC1 are available only with the QFP.

**Figure 2. 28-Pin Pin Assignments**

**Table 1. Monitor Mode Signal Requirements and Options**

$\overline{\text{IRQ}}$	RESET	\$FFFF/ \$FFFF	PLL	PTB0	PTB1	External Clock <sup>(1)</sup>	CGMOUT	Bus Frequency	COP	For Serial Communication			Comment
										PTA0	PTA1	Baud Rate <sup>(2) (3)</sup>	
X	GND	X	X	X	X	X	0	0	Disabled	X	X	0	No operation until reset goes high
$V_{TST}$	$V_{DD}$ or $V_{TST}$	X	OFF	1	0	9.8304 MHz	4.9152 MHz	2.4576 MHz	Disabled	1	0	9600	PTB0 and PTB1 voltages only required if $\overline{\text{IRQ}} = V_{TST}$
$V_{DD}$	$V_{DD}$	\$FFFF	OFF	X	X	9.8304 MHz	4.9152 MHz	2.4576 MHz	Disabled	1	0	9600	External frequency always divided by 4
GND	$V_{DD}$	\$FFFF	ON	X	X	32.768 kHz	4.9152 MHz	2.4576 MHz	Disabled	X	1	DNA	PLL enabled (BCS set) in monitor code
$V_{DD}$ or GND	$V_{TST}$	\$FFFF	OFF	X	X	X	—	—	Enabled	X	X	—	Enters user mode — will encounter an illegal address reset
$V_{DD}$ or GND	$V_{DD}$ or $V_{TST}$	Non-blank	OFF	X	X	X	—	—	Enabled	X	X	—	Enters user mode

1. External clock is derived by a 32.768-kHz crystal or a 9.8304-MHz off-chip oscillator.

2. PTA0 = 1 if serial communication; PTA0 = X if parallel communication

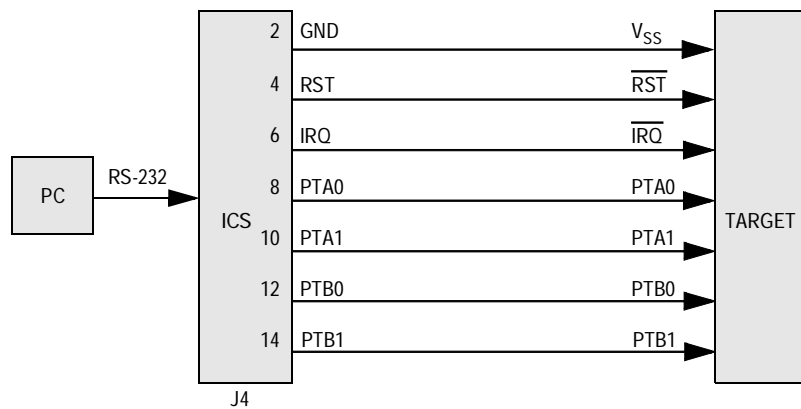
3. PTA1 = 0  $\overline{\text{AE}}$  serial, PTA1 = 1  $\overline{\text{AE}}$  parallel communication for security code entry

4. DNA = does not apply, X = don't care

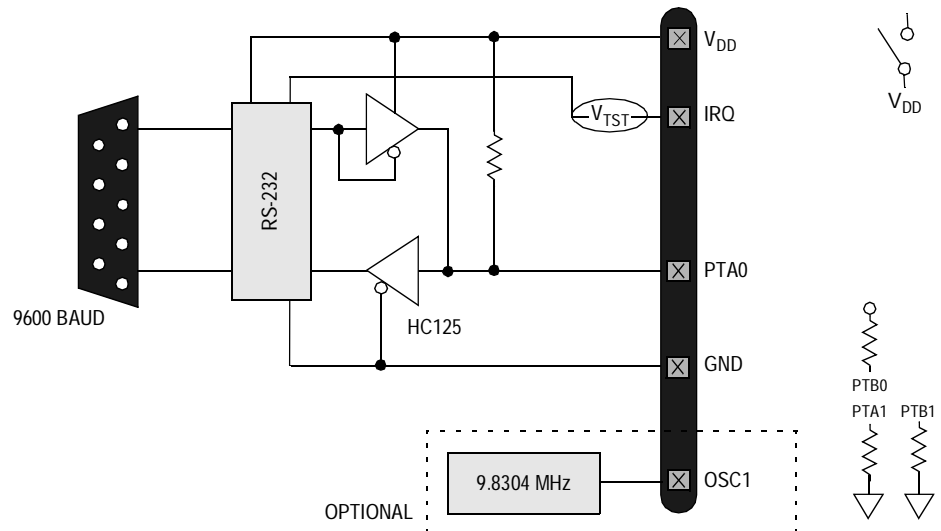


**Table 2. Crystal Frequency vs. Baud Rate**

Crystal Frequency (MHz)	Internal Bus Frequency (MHz)	Baud Rate
4.9152	1.2288	4800
9.8304	2.4576	9600
14.7456	3.6864	14,400
19.6608	4.9152	19,200
29.4912	7.3728	28,800



**Figure 3. MC68HC908GR8 MON08 Connections**



**Figure 4. MC68HC908GR8 Standard Monitor Mode (9.8304 MHz)**

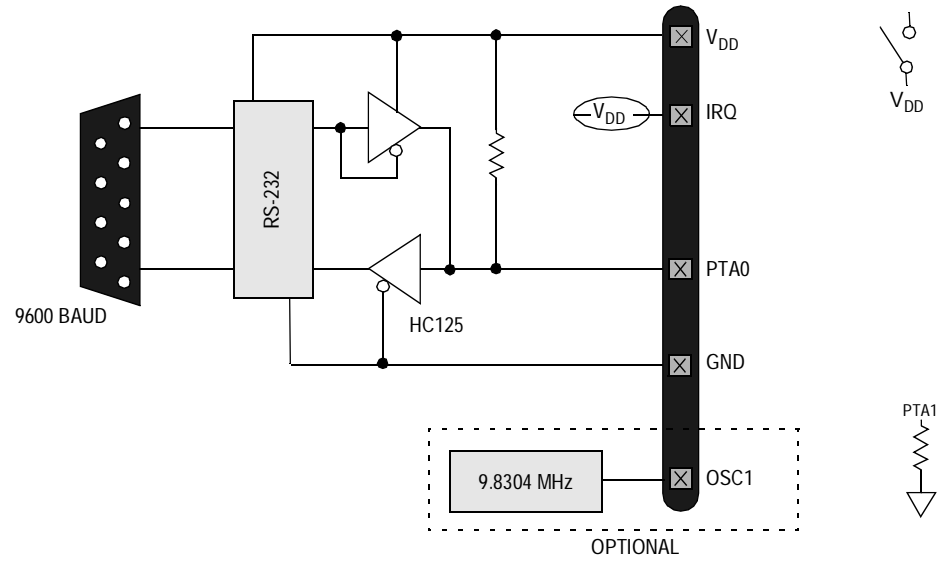


Figure 5. MC68HC908GR8 Forced Monitor Mode (9.8304 MHz)

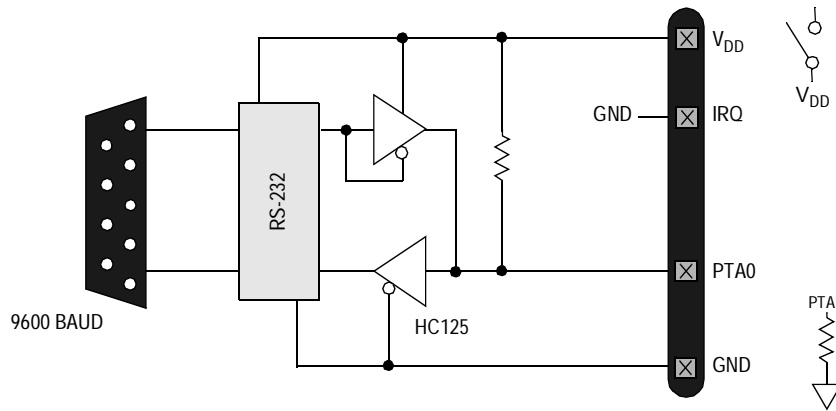


Figure 6. MC68HC908GR8 Forced Monitor Mode (32.768 kHz)

```

; Here is the sample application...

RAMStart EQU $0040
ROMStart EQU $E000 ; This is valid ROM on the QM8
VectorStart EQU $FFDC
ADC_Channel EQU 5t
ADC_ENABLE_INT EQU @1000000q ; Bit mask for interrupt enable bit
; in the ADC status/control register

$Include 'gregs.inc'

org ROMStart

temp_long ds 4
temp_word ds 2
temp_byte ds 1
Timeout1 ds 1 ; Allows three timeout routines to be called each of which
Timeout2 ds 1 ; can run for up to ~ 1/2 second.
Timeout3 ds 1

org RAMStart

*****
* Init_SCI - Turns on the asynchronous communications port *
* for "transmitting only" at 9600 baud NS1. *
*****
Init_SCI:
    mov #09,SCBR ; Baud Rate = 9600
    mov #40,SCCR1 ; Enable the SCI peripheral
    mov #06,SCCR2 ; Enable the SCI transmitter
    rts

*****
* Init_Atad - Sets up the Atad clock + turns it on *
*****

```

Figure 7. P&E's WINIDE Window

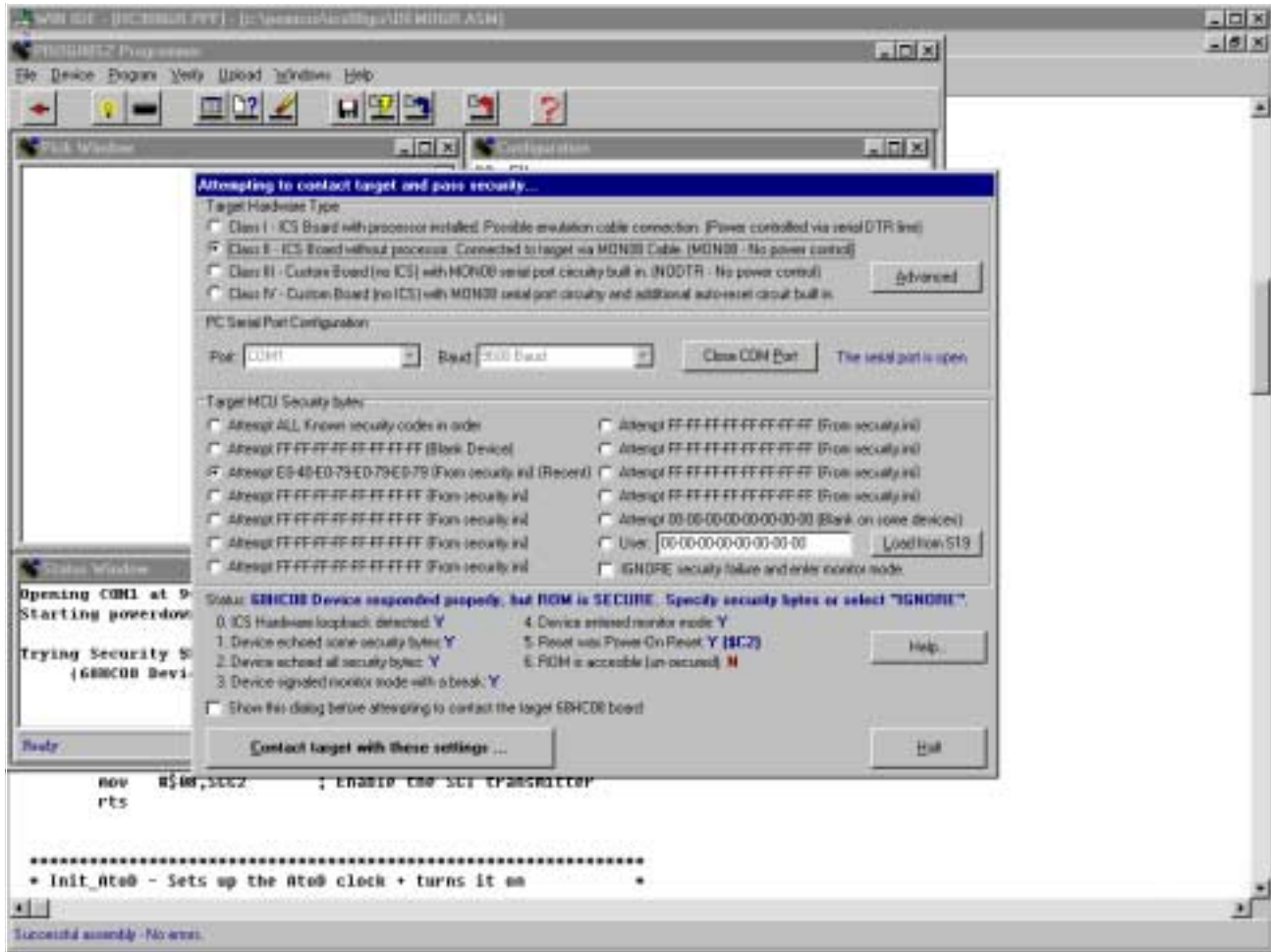


Figure 8. P&E's Target and Security Window

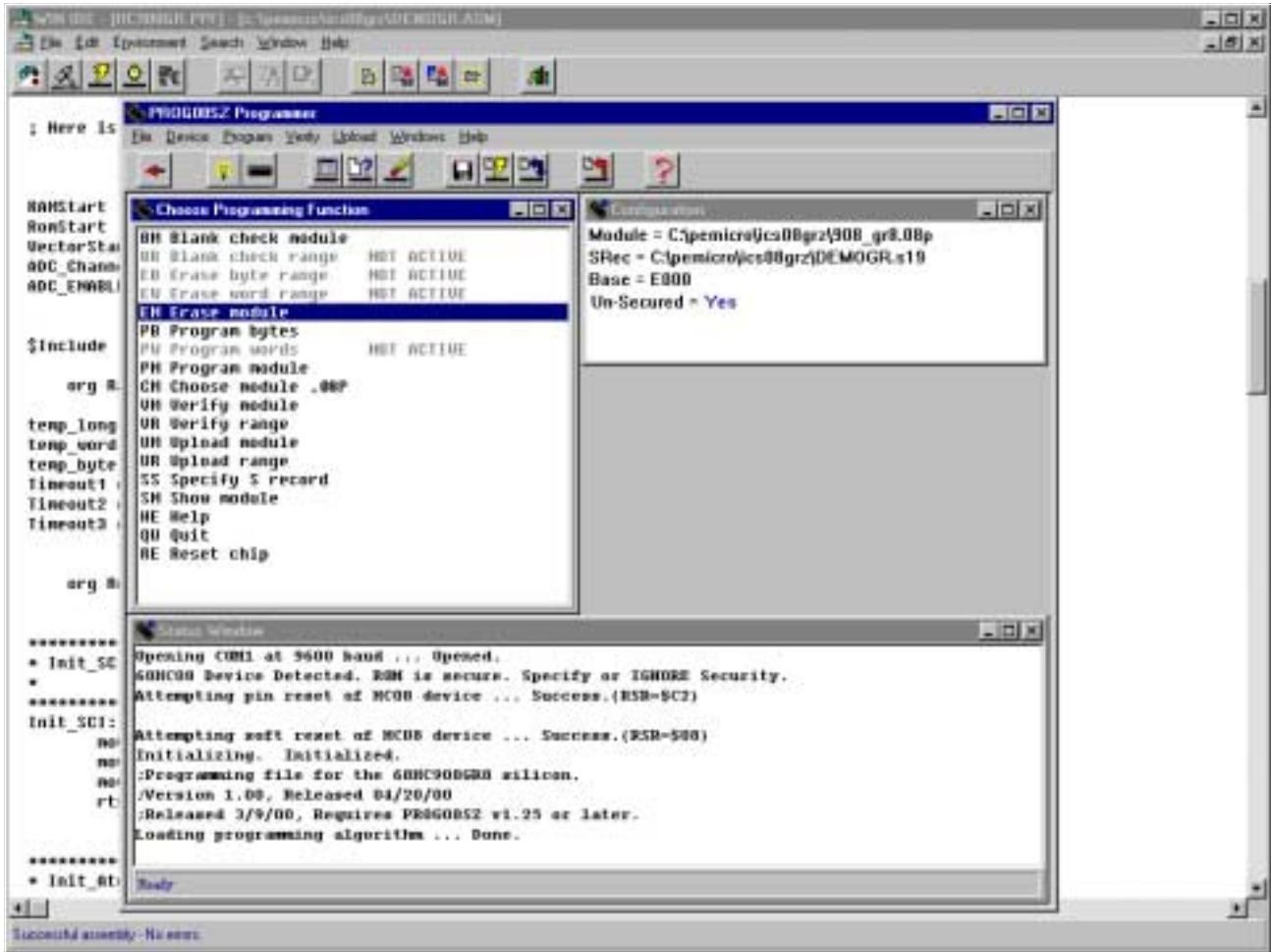



Figure 9. P&E's Programmer Window





Motorola reserves the right to make changes without further notice to any products herein. Motorola makes no warranty, representation or guarantee regarding the suitability of its products for any particular purpose, nor does Motorola assume any liability arising out of the application or use of any product or circuit, and specifically disclaims any and all liability, including without limitation consequential or incidental damages. "Typical" parameters which may be provided in Motorola data sheets and/or specifications can and do vary in different applications and actual performance may vary over time. All operating parameters, including "Typicals" must be validated for each customer application by customer's technical experts. Motorola does not convey any license under its patent rights nor the rights of others. Motorola products are not designed, intended, or authorized for use as components in systems intended for surgical implant into the body, or other applications intended to support or sustain life, or for any other application in which the failure of the Motorola product could create a situation where personal injury or death may occur. Should Buyer purchase or use Motorola products for any such unintended or unauthorized application, Buyer shall indemnify and hold Motorola and its officers, employees, subsidiaries, affiliates, and distributors harmless against all claims, costs, damages, and expenses, and reasonable attorney fees arising out of, directly or indirectly, any claim of personal injury or death associated with such unintended or unauthorized use, even if such claim alleges that Motorola was negligent regarding the design or manufacture of the part. Motorola and  are registered trademarks of Motorola, Inc. Motorola, Inc. is an Equal Opportunity/Affirmative Action Employer.

**How to reach us:**

**USA/EUROPE/Locations Not Listed:** Motorola Literature Distribution; P.O. Box 5405, Denver, Colorado 80217. 1-303-675-2140 or 1-800-441-2447

**JAPAN:** Motorola Japan Ltd.; SPS, Technical Information Center, 3-20-1, Minami-Azabu, Minato-ku, Tokyo 106-8573 Japan. 81-3-3440-3569

**ASIA/PACIFIC:** Motorola Semiconductors H.K. Ltd.; Silicon Harbour Centre, 2 Dai King Street, Tai Po Industrial Estate, Tai Po, N.T., Hong Kong. 852-26668334

**Technical Information Center: 1-800-521-6274**

**HOME PAGE:** <http://www.motorola.com/semiconductors/>


**MOTOROLA**

© Motorola, Inc., 2001

EB368/D

**For More Information On This Product,  
Go to: [www.freescale.com](http://www.freescale.com)**