

MSC8156 Application Development System

For applications using the MSC815x or MSC825x family of StarCore DSPs

Overview

The MSC8156 application development system (MSC8156ADS) is a complete debugging environment intended for engineers developing applications for the MSC8156, MSC8154, MSC8256, MSC8254, MSC8252 and MSC8251 Freescale digital signal processors (DSPs). The MSC815x and MSC825x family of DSPs are highly integrated DSP processors that contain one, two, four or six StarCore SC3850 DSP subsystems ranging from 8 GMACS to 48 GMACS with each DSP core running up to 1 GHz. These devices target high-bandwidth, highly computational DSP applications such as 3GPP, TD-SCDMA, 3G-LTE and WiMAX base station applications as well as aerospace and defense, medical imaging, video, voice

and test and measurement applications. The MSC8156ADS is intended to serve as a platform for software and hardware development in processor environments using the MSC815X and MSC825x family of DSPs. On-board resources and the associated debugger enable developers to perform a variety of tasks, including:

- Download and run code
- Set breakpoints
- Display memory and registers
- Connect proprietary hardware via an expansion connector

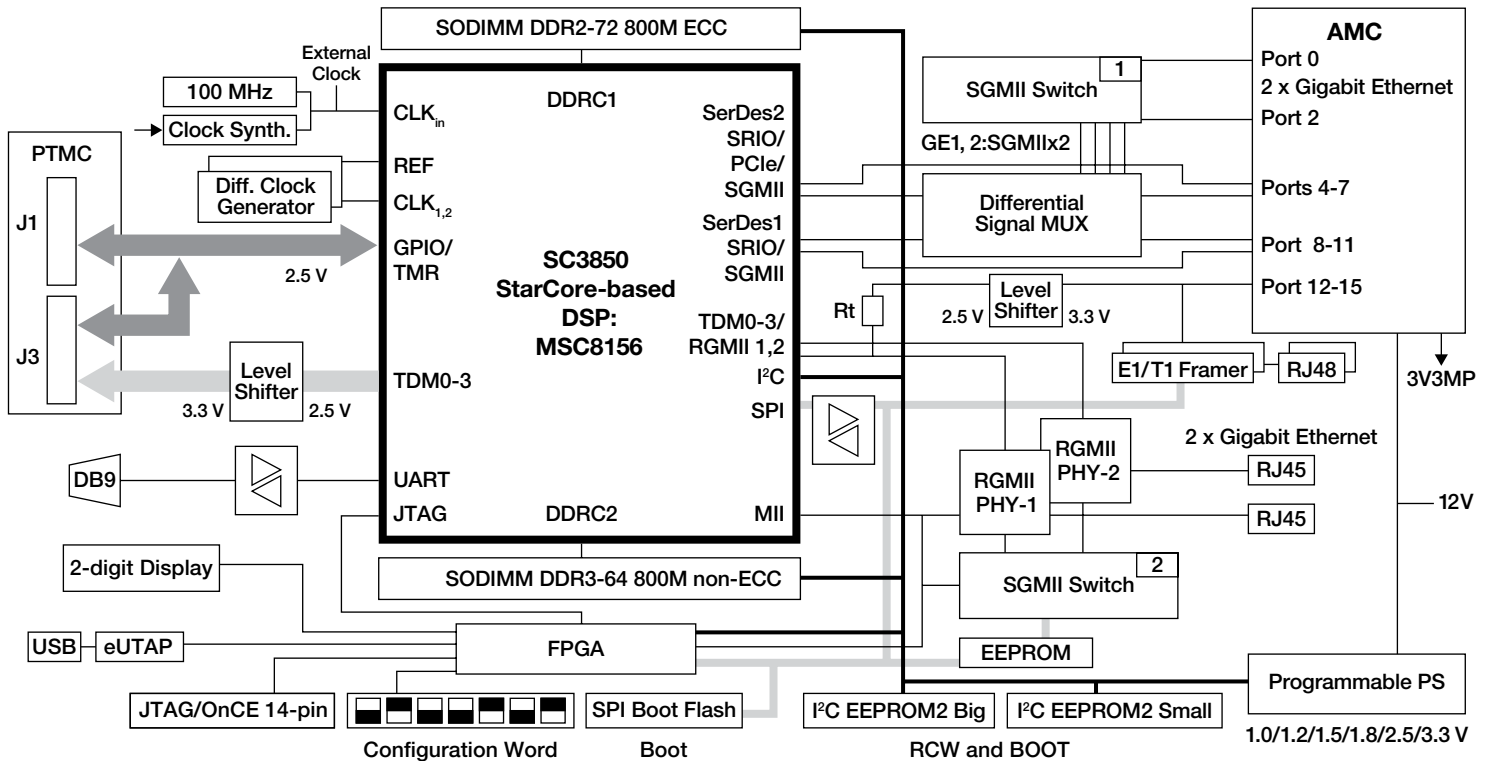
The MSC8156ADS supports two working configurations:

- Stand-alone mode: The MSC8156ADS can run in a stand-alone mode like other

application development systems, with direct connections to debuggers, power supply and other external connections.

- AdvancedMC(TM) mode: The MSC8156ADS is inserted in a standard MicroTCA® backplane that allows testing of the high-speed Serial RapidIO® and PCI Express® ports against other platforms. By using a proprietary B2B adaptor card, the AMC-X-Over, the DSP can work with a second DSP device on an additional ADS board. The AMC edge connector carries all high-speed interface signals between the devices. The ADS is compatible with standard MicroTCA chassis, such as a Schroff® or TUNDRA® development platform.

MSC8156 Application Development System



Features

- Supports the MSC815x and MSC825x DSPs at 1 GHz with core voltages of 1V
- The first DDR controller (DDRC1) is configured in DDR2 mode: 200-pin SOCDIMM with ECC support, 64-bit @ 800 Mbps, 1 GB of memory
- The second DDR controller (DDRC2) is configured in DDR3 mode: 204-pin SODIMM, 64-bit @ 800 Mbps, No ECC, 1 GB of memory
- The DSP RGMII (at ports GE1 and GE2) connects to two single Marvell® 88E1111 GETH PHYs for regular board configuration
- A Marvell 10-port SGMII switch 88E6182 links the MSC8156 SGMII lines to 2xRJ-45 copper connectors and to the 1000Base-X over AMC MicroTCA connector ports 0 and 2
- Pericom® PI2DBS212ZHE Diff Signal Switch parts support programmable SerDes lines multiplexing to AMC edge connector or to the SGMII the switch
- Two Dallas E1/T1 framers connect to the four DSP TDM ports
- P1 and P3 connectors carry the DSP GPIO and TDM signals
- The DSP configuration and boot support includes reset configuration source three-bit set by appropriate DIP switches, parallel load of programmable reset configuration word from FPGA registers sampled previously from DIPswitch array, serial configuration and boot from a large (64 KB) or small (1 KB) I²C EEPROM, boot from serial 8 MB SPI flash, boot from communications ports (from SerDes Serial RapidIO interface or from Ethernet SGMII or RGMII ports)
- Two available debug interfaces, including on-board USB TAP controller (eUTAP) or OnCE 14-pin header for any external TAP controller

- FPGA logic: board control and status register (BCSR), JTAG controller allows full board programming, multiplexing of JTAG source signals, I²C master and slave controllers, MII controller to program RGMII PHY, SPI controller, boot sequencer configures ADS peripherals for boot over Ethernet, generation of TDM clock and sync, two-digit, 14-segment LED display provides current board settings
- 100 MHz clock oscillator for the DSP clock in
- An external pulse generator may be used as clock source
- Can function in various main supply configurations (configurable via DIP switches or BCSR) in stand-alone mode with an external power 12 VDC @ 5A when S1 switch is on, or as an AMC card in the MicroTCA system or interconnection with AMC-X-Over card. If the ADS is fed outside, the S1 power switch should be off
- Onboard power system is comprised of two regulator steps:
 - Primary power system is a Power-One Power Manager with 1.0 V POL regulator for MSC8156 loads, including cores, MAPLE and M3, 2.5 V for I/O and 3.3 V for onboard peripherals, DDR switching power supplies for DDRC1 and DDRC2 ports, LDOs for onboard peripherals are fed from 2.5V and 3.3V POLs and 12V input voltage, voltage supervisor monitors all the ADS power supplies. Power Good (PG) signal and dedicated LED LD14 indicate power system status. Any failures cause nPRST signal be continuously low
 - Push buttons: main power-on-reset (SW8), hard reset (SW9), soft reset (SW11), NMI (SW10)

Development Support

Freescale supplies a complete set of CodeWarrior DSP development tools for the DSP device. The tools provide easier and more robust ways for designers to develop optimized DSP systems. With applications ranging from base stations to medical imaging to aerospace and defense, the development environment gives designers everything they need to exploit the advanced capabilities of the MSC815x and MSC825x architecture. In addition to the ADS board, support tools include:

- Eclipse-based integrated development environment (IDE)
- C and C++ compiler with in-line assembly
- Librarian
- Multicore debugger
- Royalty-free RTOS
- Software simulator
- Profiler
- High-speed run control
- Host platform support

Contact your local sales office or representative for availability.

Visit www.freescale.com/dsp for more information.



Learn More:

For current information about Freescale products and documentation, please visit www.freescale.com.