

NHS52SX4 MINIATURIZED SECURE BLE 5.3 SOLUTION

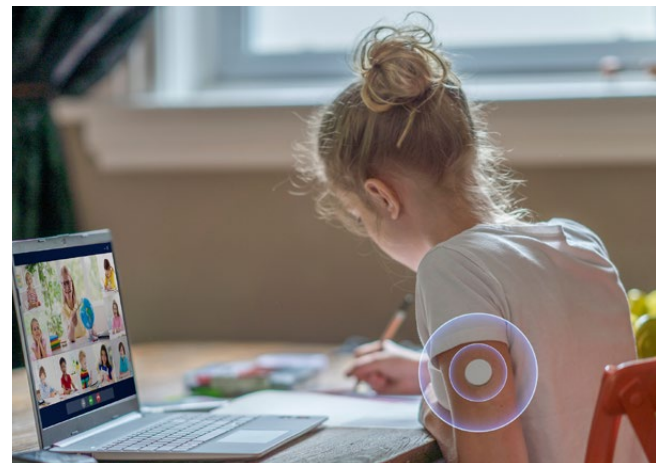
The NHS52Sx4 is a family of ultra-low power Bluetooth® Low Energy 5.3 solutions with a small footprint. It hosts an embedded microcontroller with flash, enabling extended battery lifetime for healthcare IoT applications.

The NHS52Sx4 can run directly from a wide range of primary battery types. Direct operation from a single silver-oxide battery and Lithium battery are supported.

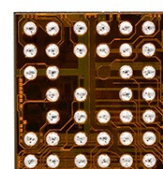
The NHS52Sx4 provides a cost-effective solution within a miniaturized solution area required for body-worn sensors and actuator applications.

KEY FEATURES

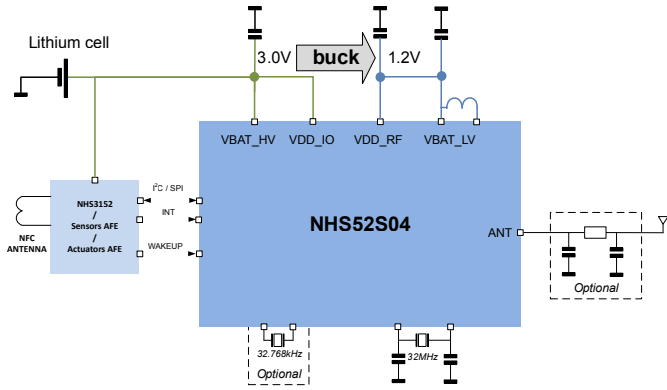
- 2.4 GHz RF transceiver supporting Bluetooth Low Energy 5.3
- Arm® Cortex®-M33 with TrustZone®, floating point unit (FPU) and memory protection unit (MPU) for application control and Bluetooth Low Energy host stack
- To support security requirements, the NHS52Sx4 also offers support for HASH, AES, RSA, ECC, UUID, dynamic encrypt and decrypt of embedded flash memory with the PRINCE engine, PUF based key storage, secure boot and debug authentication.
- Real-time clock (RTC) clocked by the FRO_32k at 32.768 kHz with 1 s resolution enables operation in the always-on power domain. Additionally, it also supports all low-power modes with 1 ms resolution.
- Integrated flash memory with error code correction enabling autonomous operation or operation with a host microcontroller.
- Multiple interfaces for control, data, debug, and test
- SPIFI with execute-in-place (XIP) feature uses up to four data lines to access off-chip SPI/DSPI/QSPI flash memory at a higher rate than standard SPI interfaces



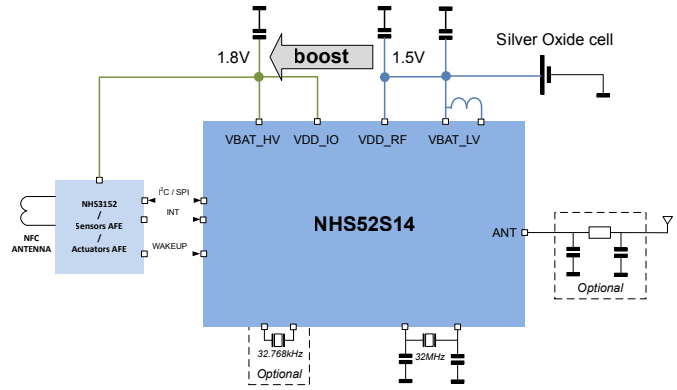
- Flexible power management unit (PMU) for operation supporting multiple battery types
- NHS52S04
 - High-voltage supply mode (HV_SM) for 3 V battery support using integrated buck DC-DC converter
 - External regulated supply mode (XR_SM) for PMIC support (bypassing the integrated DC-DC converter)
- NHS52S14
 - Low-voltage supply mode (LV_SM) for 1.5 V battery support using integrated boost DC-DC converter
- High integration enabled by:
 - WLCSP package: < 6.56 mm² with 37 bumps
 - QFN package: 5mm x 5mm with 40 pins
- Low number of external passive components
- Operating temperature: -40 °C to +85 °C



NHS52S04 WITH 3 V LITHIUM CELL BLOCK DIAGRAM



NHS52S14 WITH 1.5 V SILVER OXIDE CELL BLOCK DIAGRAM



SOFTWARE AND TOOLS

- EVK board containing NHS52Sx4 with support interfaces for SW development
- MCUXpresso integrated development environment (IDE) brings developers an easy to use development environment
- Source code for the peripheral drivers and example source code
- Bluetooth Low Energy host stack

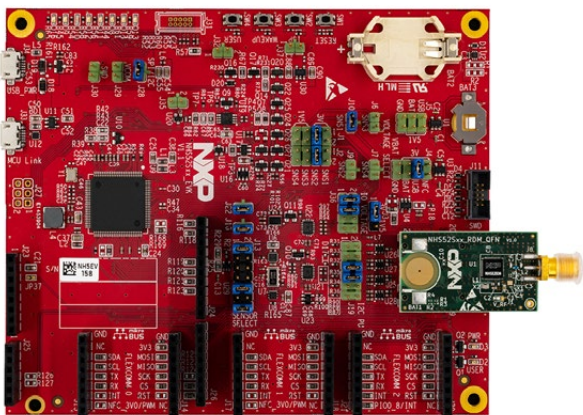
The NHS52Sx4 comes with a reference application enabling fast SW development

- A modular SW architecture to allow easy reuse and modification
- Performance optimized for using BLE, low-power and security features of the chip

BENEFITS

- Versatile battery support
- Energy efficient
- Small solution size
- Easy enablement
- Safe and private
- Extensive On-chip memory
- Bluetooth Low Energy 5.3 certified
- Flexible interfaces

NHS52Sx4 EVK



NHS52Sx4 RDM CSP



nxp.com/NHS52Sx4

NXP and the NXP logo are trademarks of NXP B.V. Arm, Cortex and TrustZone are trademarks or registered trademarks of Arm Limited (or its subsidiaries) in the US and/or elsewhere. The related technology may be protected by any or all of patents, copyrights, designs and trade secrets. All rights reserved. The Bluetooth® word mark and logos are registered trademarks owned by Bluetooth SIG, Inc. and any use of such marks by NXP Semiconductors is under license. All other product or service names are the property of their respective owners. © 2023 NXP B.V.

Document Number: NHS52Sx4A4FS REV 0