

SOT1585-2

HUQFN24, plastic, thermal enhanced ultra thin quad flat non-leaded package; 24 terminals; 0.5 mm pitch; 4 mm x 4 mm x 0.65 mm body

1 August 2018

Package information

1 Package summary

Terminal position code	Q (quad)
Package type descriptive code	HUQFN24
Package type industry code	HUQFN24
Package style descriptive code	HUQFN (thermal enhanced ultra thin quad flatpack; no leads)
Package body material type	P (plastic)
Mounting method type	S (surface mount)
Issue date	12-07-2018
Manufacturer package code	98ASA00087D

Table 1. Package summary

Parameter	Min	Nom	Max	Unit
package length	-	4	-	mm
package width	-	4	-	mm
seated height	-	0.65	-	mm
nominal pitch	-	0.5	-	mm
actual quantity of termination	-	24	-	



HUQFN24, plastic, thermal enhanced ultra thin quad flat non-leaded package; 24 terminals; 0.5 mm pitch; 4 mm x 4 mm x 0.65 mm body

2 Package outline

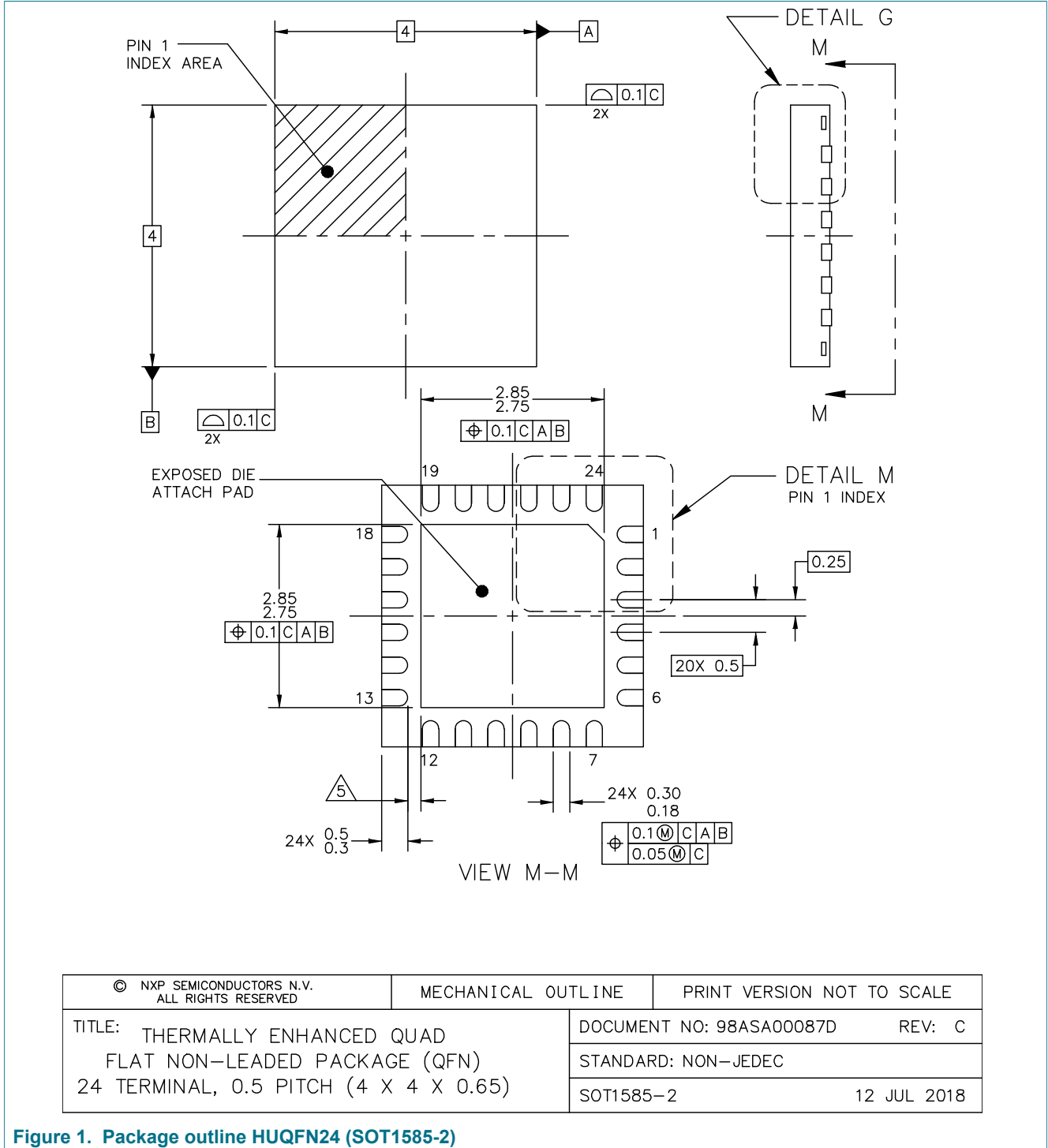
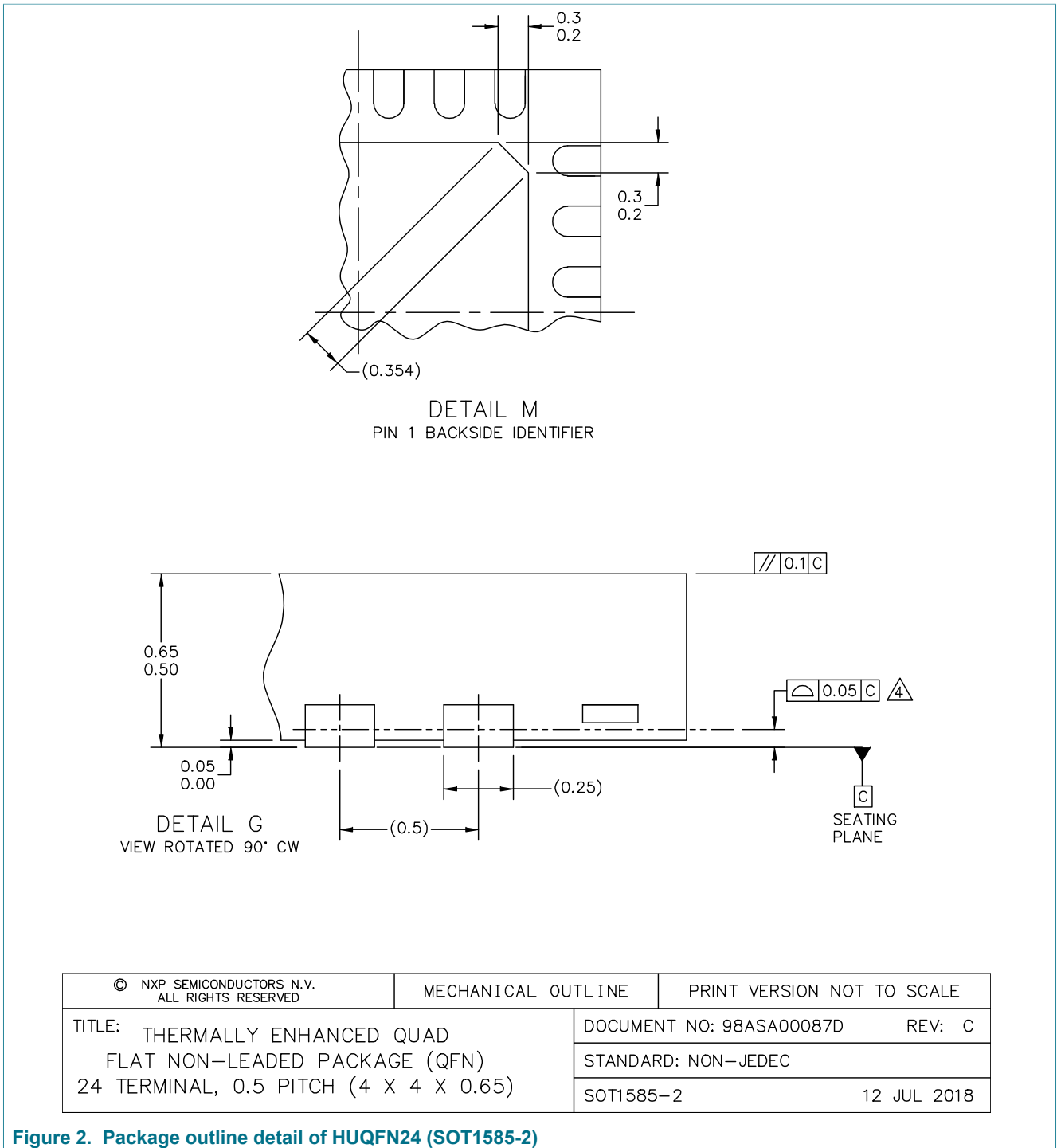


Figure 1. Package outline HUQFN24 (SOT1585-2)

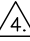

HUQFN24, plastic, thermal enhanced ultra thin quad flat non-leaded package; 24 terminals; 0.5 mm pitch; 4 mm x 4 mm x 0.65 mm body



© NXP SEMICONDUCTORS N.V. ALL RIGHTS RESERVED	MECHANICAL OUTLINE	PRINT VERSION NOT TO SCALE
TITLE: THERMALLY ENHANCED QUAD FLAT NON-LEADED PACKAGE (QFN) 24 TERMINAL, 0.5 PITCH (4 X 4 X 0.65)	DOCUMENT NO: 98ASA00087D	REV: C
	STANDARD: NON-JEDEC	
	SOT1585-2	12 JUL 2018

HUQFN24, plastic, thermal enhanced ultra thin quad flat non-leaded package; 24 terminals; 0.5 mm pitch; 4 mm x 4 mm x 0.65 mm body

NOTES:

1. ALL DIMENSIONS ARE IN MILLIMETERS.
2. DIMENSIONING AND TOLERANCING PER ASME Y14.5M-1994.
3. THIS IS NON JEDEC REGISTERED PACKAGE.
4.  COPLANARITY APPLIES TO LEADS AND DIE ATTACH PAD.
5.  MIN. METAL GAP SHOULD BE 0.145MM.

© NXP SEMICONDUCTORS N.V. ALL RIGHTS RESERVED	MECHANICAL OUTLINE	PRINT VERSION NOT TO SCALE	
TITLE: THERMALLY ENHANCED QUAD FLAT NON-LEADED PACKAGE (QFN) 24 TERMINAL, 0.5 PITCH (4 X 4 X 0.65)		DOCUMENT NO: 98ASA00087D	REV: C
		STANDARD: NON-JEDEC	
		SOT1585-2	12 JUL 2018

Figure 3. Package outline note HUQFN24 (SOT1585-2)

HUQFN24, plastic, thermal enhanced ultra thin quad flat non-leaded package; 24 terminals; 0.5 mm pitch; 4 mm x 4 mm x 0.65 mm body

3 Legal information

Disclaimers

Limited warranty and liability — Information in this document is believed to be accurate and reliable. However, NXP Semiconductors does not give any representations or warranties, expressed or implied, as to the accuracy or completeness of such information and shall have no liability for the consequences of use of such information. NXP Semiconductors takes no responsibility for the content in this document if provided by an information source outside of NXP Semiconductors.

In no event shall NXP Semiconductors be liable for any indirect, incidental, punitive, special or consequential damages (including - without limitation - lost profits, lost savings, business interruption, costs related to the removal or replacement of any products or rework charges) whether or not such damages are based on tort (including negligence), warranty, breach of contract or any other legal theory.

Notwithstanding any damages that customer might incur for any reason whatsoever, NXP Semiconductors' aggregate and cumulative liability towards customer for the products described herein shall be limited in accordance with the Terms and conditions of commercial sale of NXP Semiconductors.

Right to make changes — NXP Semiconductors reserves the right to make changes to information published in this document, including without limitation specifications and product descriptions, at any time and without notice. This document supersedes and replaces all information supplied prior to the publication hereof.

HUQFN24, plastic, thermal enhanced ultra thin quad flat non-leaded package; 24 terminals; 0.5 mm pitch; 4 mm x 4 mm x 0.65 mm body

Contents

1 Package summary1
2 Package outline2
3 Legal information5