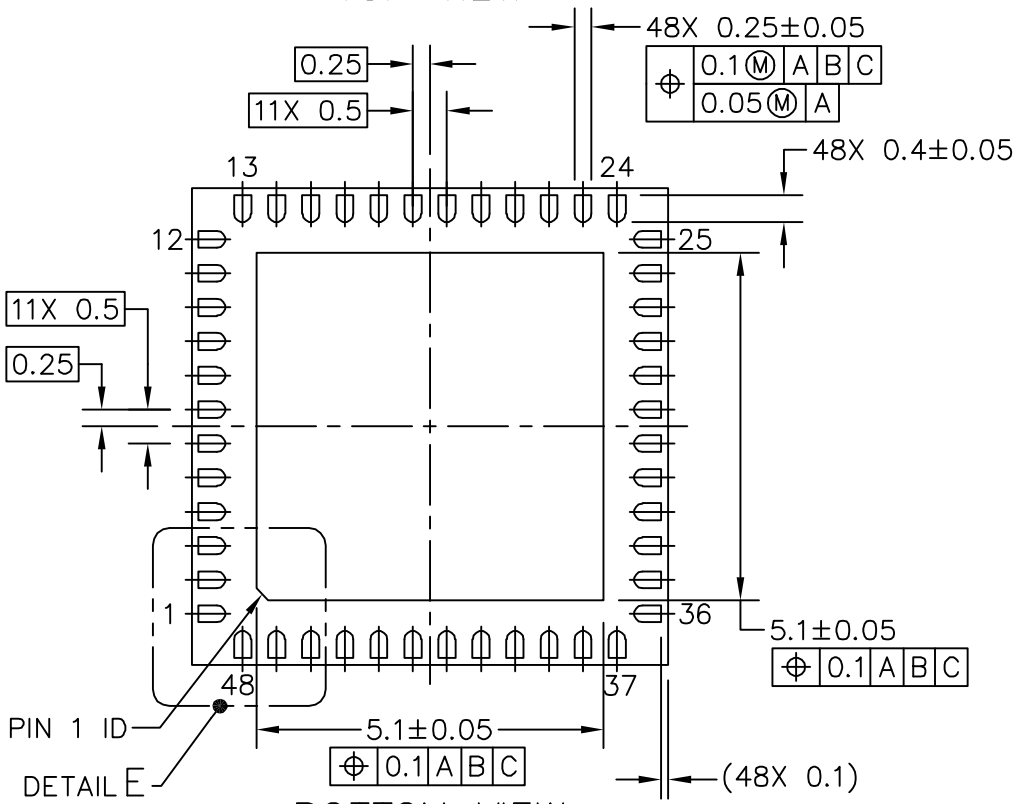
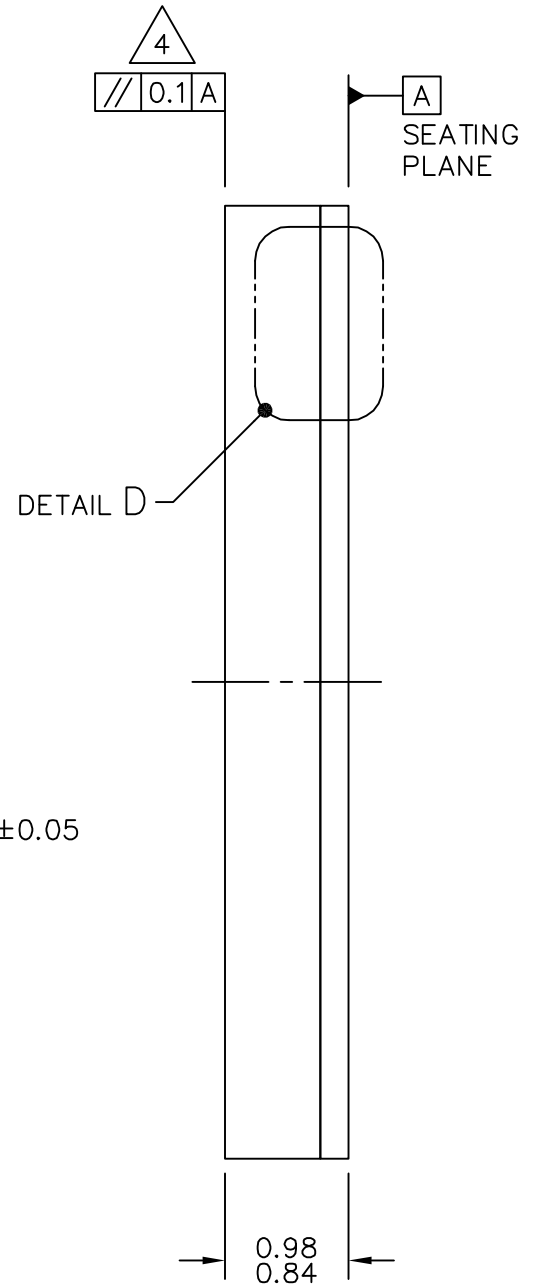
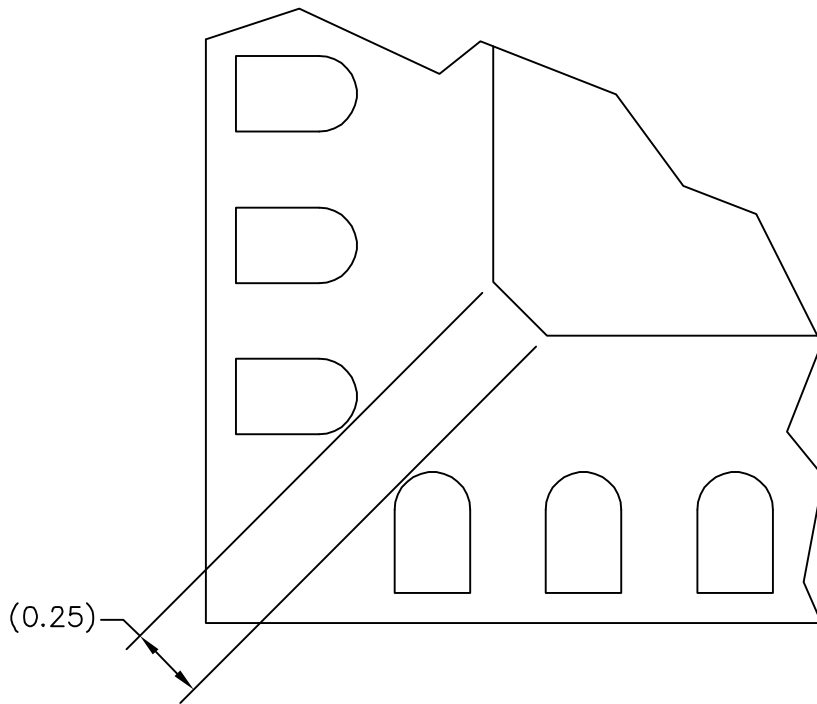


TOP VIEW

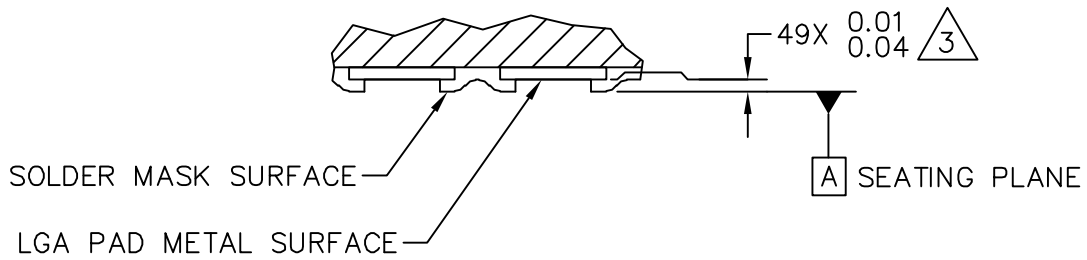


BOTTOM VIEW

© NXP SEMICONDUCTORS N.V. ALL RIGHTS RESERVED	MECHANICAL OUTLINE	PRINT VERSION NOT TO SCALE
TITLE: MAPLGA, THIN PROFILE, FINE PITCH, 48 I/O, 7 X 7 PKG, 0.5 MM PITCH (LAMINATE QFN)	DOCUMENT NO: 98ASA00212D	REV: A
	STANDARD: NON-JEDEC	
	SOT1549-1	06 JAN 2016



DETAIL E



DETAIL D
VIEW ROTATED 90° CW

© NXP SEMICONDUCTORS N.V. ALL RIGHTS RESERVED	MECHANICAL OUTLINE	PRINT VERSION NOT TO SCALE	
TITLE: MAPLGA, THIN PROFILE, FINE PITCH, 48 I/O, 7 X 7 PKG, 0.5 MM PITCH (LAMINATE QFN)		DOCUMENT NO: 98ASA00212D	REV: A
		STANDARD: NON-JEDEC	
		SOT1549-1	06 JAN 2016



NOTES:

1. ALL DIMENSIONS IN MILLIMETERS.

2. DIMENSIONING AND TOLERANCING PER ASME Y14.5M-1994.

3. DIMENSION APPLIES TO LEADS, AND CENTER GROUND FLAG.

4. PARALLELISM MEASUREMENT SHALL EXCLUDE ANY EFFECT OF MARK ON TOP SURFACE OF PACKAGE.

© NXP SEMICONDUCTORS N.V. ALL RIGHTS RESERVED	MECHANICAL OUTLINE	PRINT VERSION NOT TO SCALE	
TITLE: MAPLGA, THIN PROFILE, FINE PITCH, 48 I/O, 7 X 7 PKG, 0.5 MM PITCH (LAMINATE QFN)		DOCUMENT NO: 98ASA00212D	REV: A
		STANDARD: NON-JEDEC	
		SOT1549-1	06 JAN 2016