

SOD64

hermetically sealed glass package; axial leaded; 2 leads

23 October 2018

Package information

1 Package summary

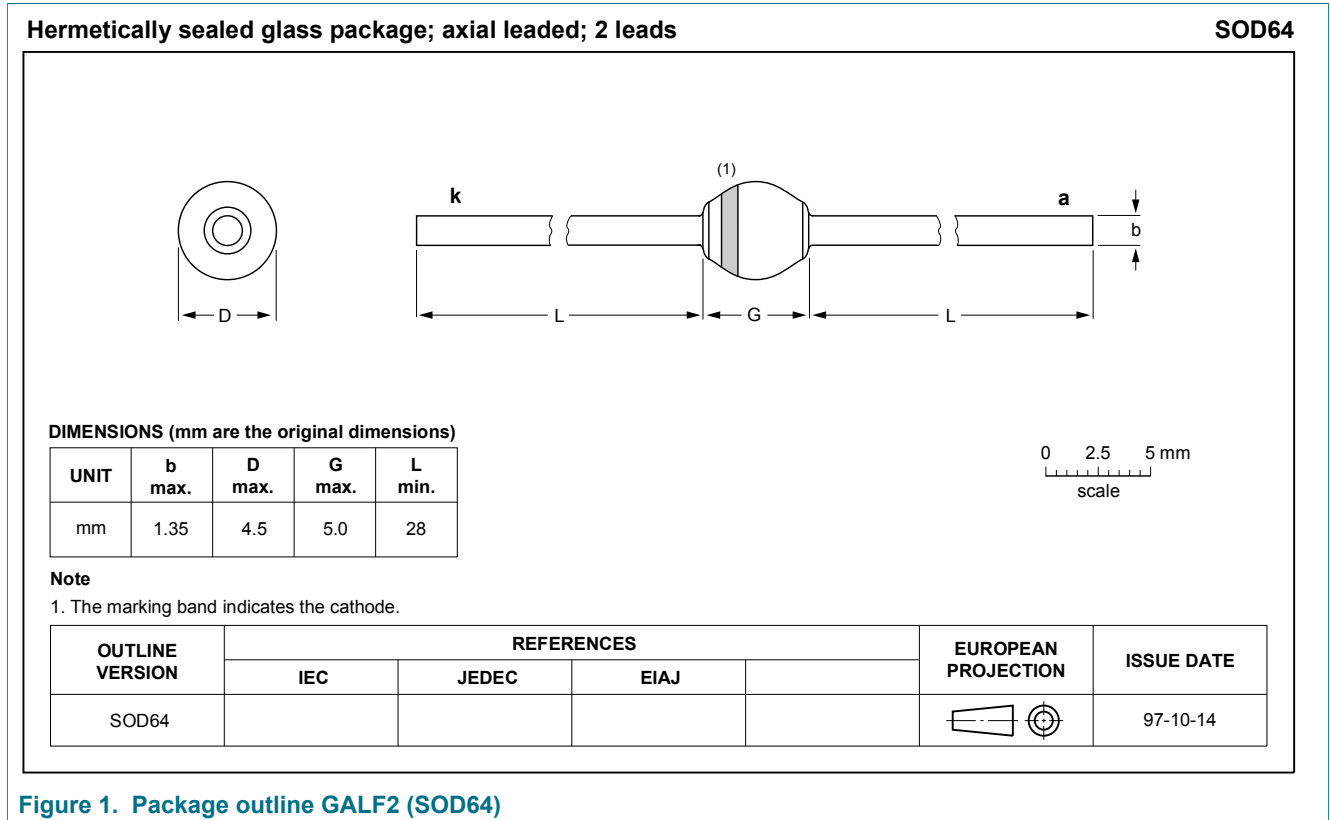
Terminal position code	A (axial)
Package type descriptive code	GALF2
Package type industry code	GALF2
Package style descriptive code	LALF (glass axial (leaded) long form)
Package body material type	L (glass)
Mounting method type	T (through-hole mount)
Issue date	14-10-1997
Manufacturer package code	SOD64

Table 1. Package summary

Parameter	Min	Nom	Max	Unit
package length	-	5	-	mm
package diameter	-	4.5	-	mm
actual quantity of termination	-	2	-	



2 Package outline



3 Legal information

Disclaimers

Limited warranty and liability — Information in this document is believed to be accurate and reliable. However, NXP Semiconductors does not give any representations or warranties, expressed or implied, as to the accuracy or completeness of such information and shall have no liability for the consequences of use of such information. NXP Semiconductors takes no responsibility for the content in this document if provided by an information source outside of NXP Semiconductors.

In no event shall NXP Semiconductors be liable for any indirect, incidental, punitive, special or consequential damages (including - without limitation - lost profits, lost savings, business interruption, costs related to the removal or replacement of any products or rework charges) whether or not such damages are based on tort (including negligence), warranty, breach of contract or any other legal theory.

Notwithstanding any damages that customer might incur for any reason whatsoever, NXP Semiconductors' aggregate and cumulative liability towards customer for the products described herein shall be limited in accordance with the Terms and conditions of commercial sale of NXP Semiconductors.

Right to make changes — NXP Semiconductors reserves the right to make changes to information published in this document, including without limitation specifications and product descriptions, at any time and without notice. This document supersedes and replaces all information supplied prior to the publication hereof.

Contents

1 Package summary1
2 Package outline2
3 Legal information3