

SOT1921-3(D)

HQFN24, thermal enhanced quad flat package, no leads, 0.1 dimple wettable flank, 24 terminals, 0.8 mm pitch, 6 mm x 6 mm x 1.98 mm body

13 August 2019

Package information

1 Package summary

Terminal position code	Q (quad)
Package type descriptive code	HQFN24
Package style descriptive code	HQFN (thermal enhanced quad flatpack; no leads)
Package body material type	P (plastic)
Mounting method type	S (surface mount)
Issue date	26-07-2019
Manufacturer package code	98ASA01454D

Table 1. Package summary

Parameter	Min	Nom	Max	Unit
package length	-	6	-	mm
package width	-	6	-	mm
package height	-	1.98	-	mm
nominal pitch	-	0.8	-	mm
actual quantity of termination	-	24	-	



HQFN24, thermal enhanced quad flat package, no leads, 0.1 dimple wettable flank, 24 terminals, 0.8 mm pitch, 6 mm x 6 mm x 1.98 mm body

2 Package outline

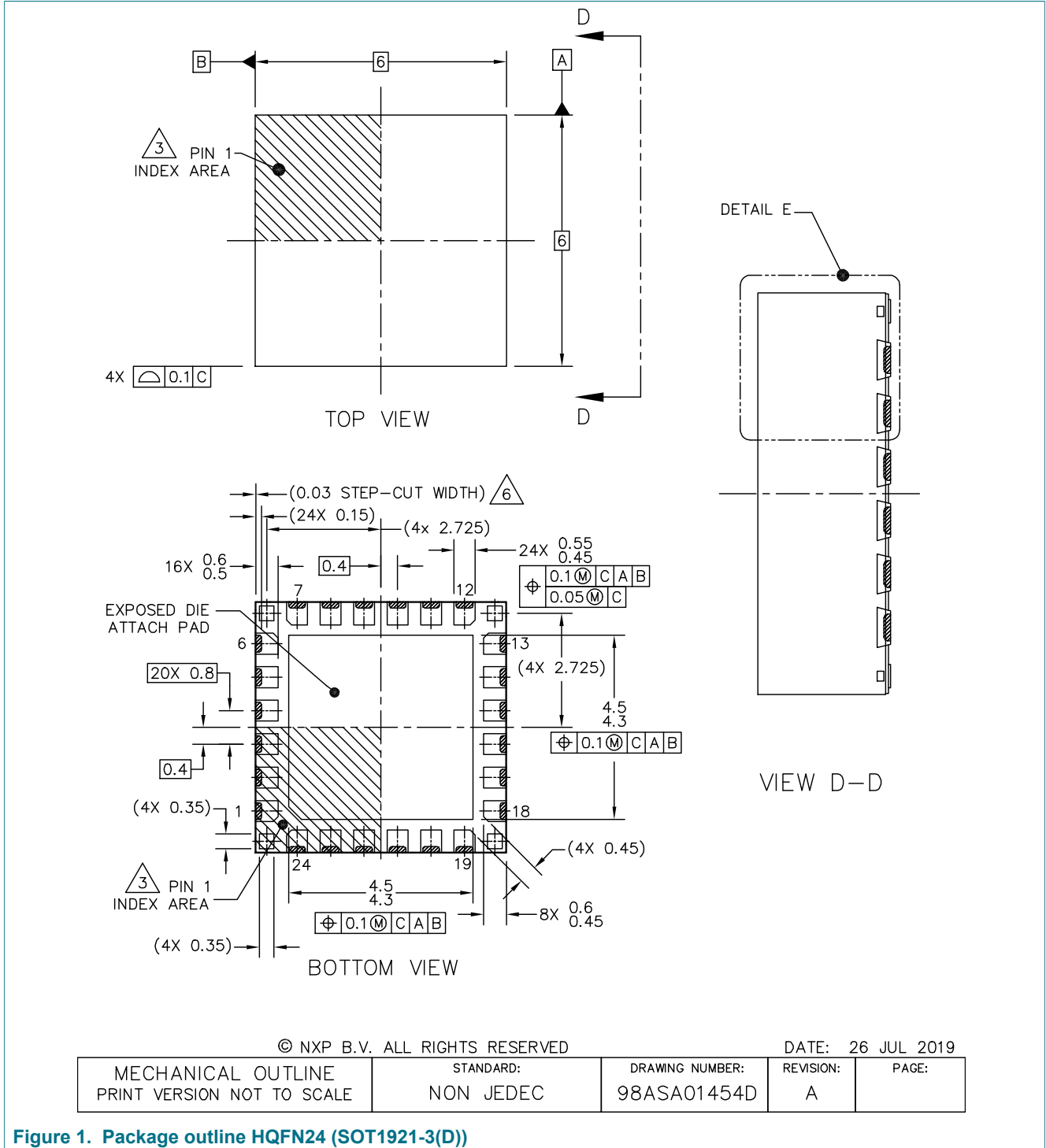


Figure 1. Package outline HQFN24 (SOT1921-3(D))

HQFN24, thermal enhanced quad flat package, no leads, 0.1 dimple wettable flank, 24 terminals, 0.8 mm pitch, 6 mm x 6 mm x 1.98 mm body

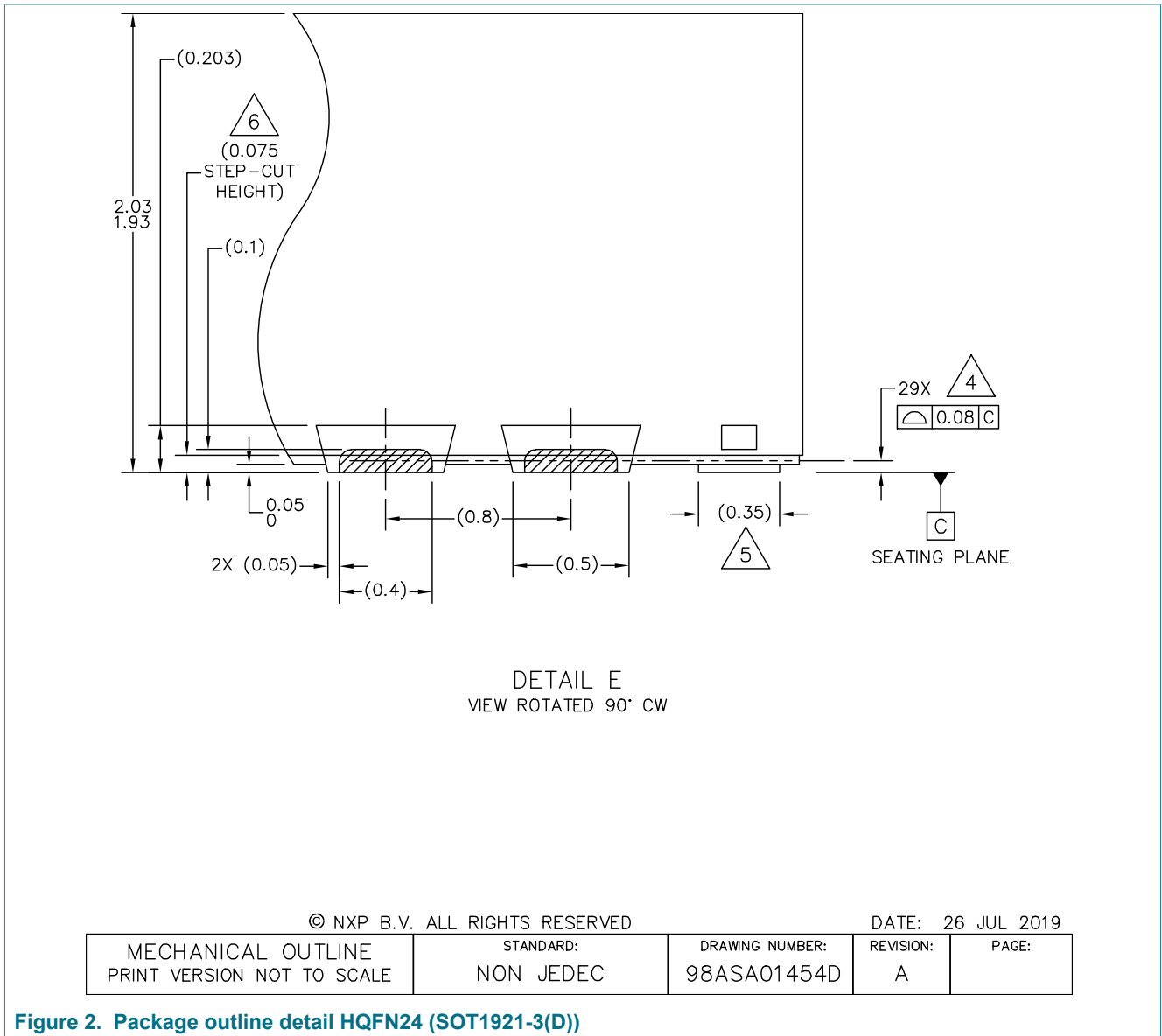
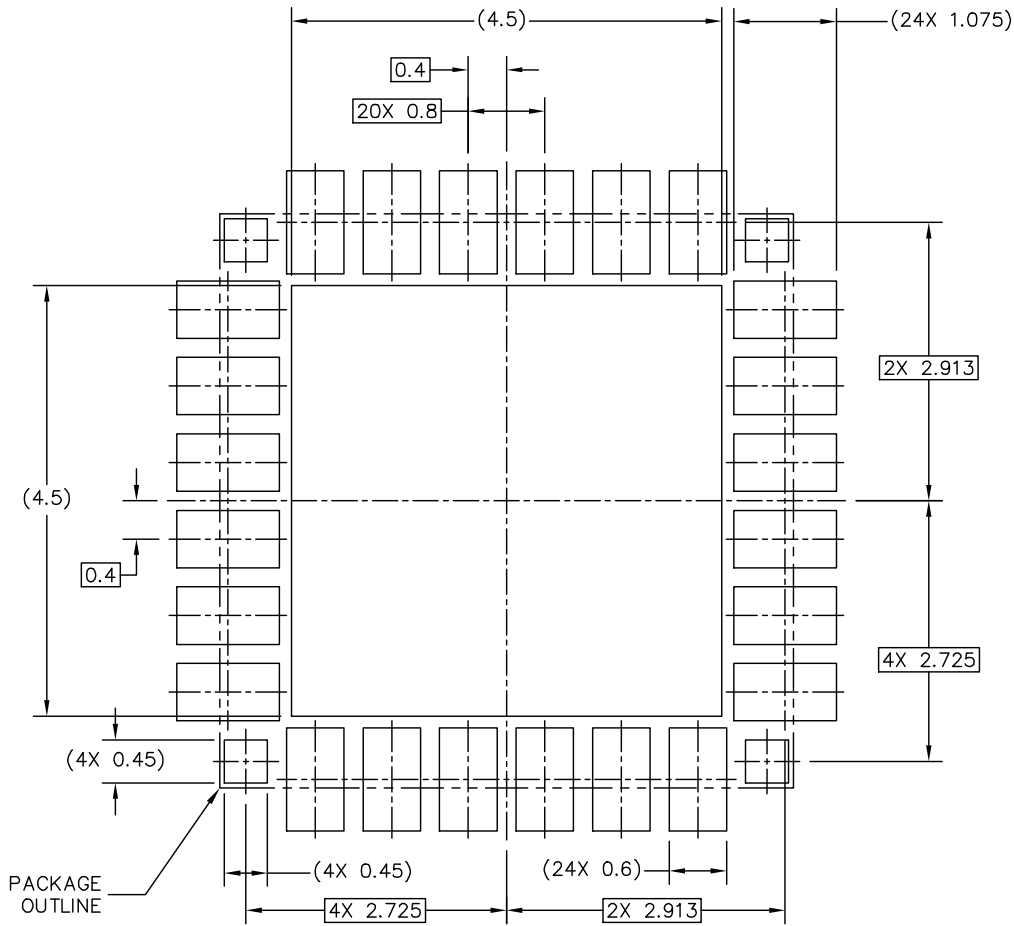


Figure 2. Package outline detail HQFN24 (SOT1921-3(D))

HQFN24, thermal enhanced quad flat package, no leads, 0.1 dimple wettable flank, 24 terminals, 0.8 mm pitch, 6 mm x 6 mm x 1.98 mm body

3 Soldering



PCB DESIGN GUIDELINES – SOLDER MASK OPENING PATTERN

THIS SHEET SERVES ONLY AS A GUIDELINE TO HELP DEVELOP A USER SPECIFIC SOLUTION. DEVELOPMENT EFFORT WILL STILL BE REQUIRED BY END USERS TO OPTIMIZE PCB MOUNTING PROCESSES AND BOARD DESIGN IN ORDER TO MEET INDIVIDUAL/SPECIFIC REQUIREMENTS.

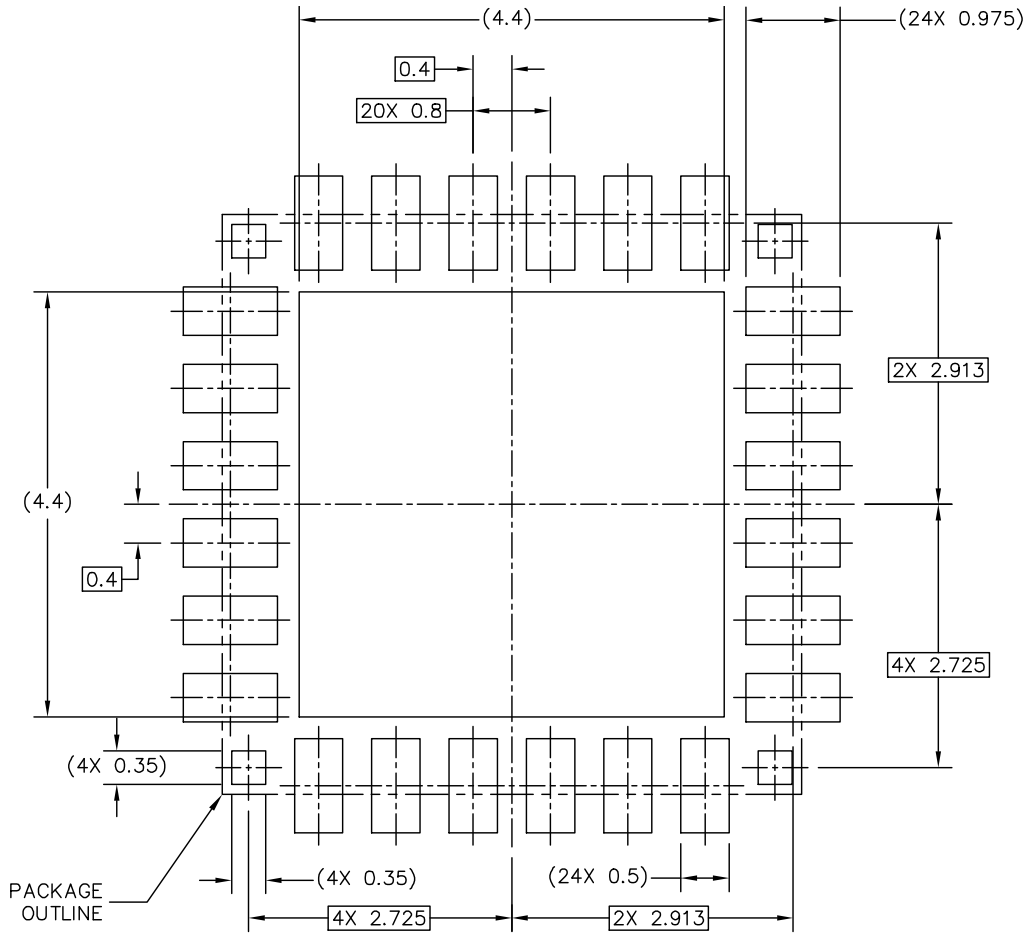
© NXP B.V. ALL RIGHTS RESERVED

DATE: 26 JUL 2019

MECHANICAL OUTLINE PRINT VERSION NOT TO SCALE	STANDARD: NON JEDEC	DRAWING NUMBER: 98ASA01454D	REVISION: A	PAGE:
--------------------------------------------------	------------------------	--------------------------------	----------------	-------

Figure 3. Reflow soldering footprint part1 of HQFN24 (SOT1921-3(D))

HQFN24, thermal enhanced quad flat package, no leads, 0.1 dimple wettable flank, 24 terminals, 0.8 mm pitch, 6 mm x 6 mm x 1.98 mm body



PCB DESIGN GUIDELINES – I/O PADS AND SOLDERABLE AREA

THIS SHEET SERVES ONLY AS A GUIDELINE TO HELP DEVELOP A USER SPECIFIC SOLUTION. DEVELOPMENT EFFORT WILL STILL BE REQUIRED BY END USERS TO OPTIMIZE PCB MOUNTING PROCESSES AND BOARD DESIGN IN ORDER TO MEET INDIVIDUAL/SPECIFIC REQUIREMENTS.

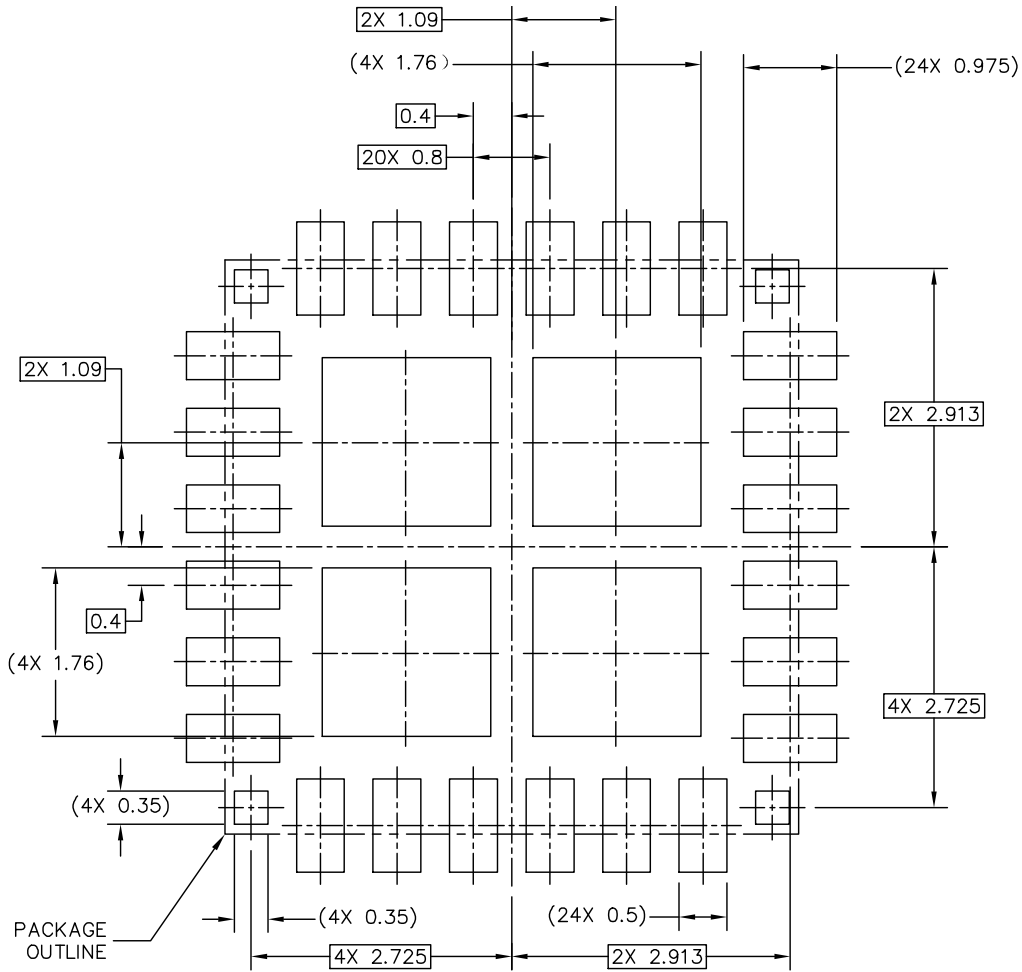
© NXP B.V. ALL RIGHTS RESERVED

DATE: 26 JUL 2019

MECHANICAL OUTLINE PRINT VERSION NOT TO SCALE	STANDARD: NON JEDEC	DRAWING NUMBER: 98ASA01454D	REVISION: A	PAGE:
--------------------------------------------------	------------------------	--------------------------------	----------------	-------

Figure 4. Reflow soldering footprint part2 of HQFN24 (SOT1921-3(D))

HQFN24, thermal enhanced quad flat package, no leads, 0.1 dimple wettable flank, 24 terminals, 0.8 mm pitch, 6 mm x 6 mm x 1.98 mm body



RECOMMENDED STENCIL THICKNESS 0.125

PCB DESIGN GUIDELINES – SOLDER PASTE STENCIL

THIS SHEET SERVES ONLY AS A GUIDELINE TO HELP DEVELOP A USER SPECIFIC SOLUTION. DEVELOPMENT EFFORT WILL STILL BE REQUIRED BY END USERS TO OPTIMIZE PCB MOUNTING PROCESSES AND BOARD DESIGN IN ORDER TO MEET INDIVIDUAL/SPECIFIC REQUIREMENTS.

© NXP B.V. ALL RIGHTS RESERVED

DATE: 26 JUL 2019

MECHANICAL OUTLINE PRINT VERSION NOT TO SCALE	STANDARD: NON JEDEC	DRAWING NUMBER: 98ASA01454D	REVISION: A	PAGE:
--------------------------------------------------	------------------------	--------------------------------	----------------	-------

Figure 5. Reflow soldering footprint part3 of HQFN24 (SOT1921-3(D))

HQFN24, thermal enhanced quad flat package, no leads, 0.1 dimple wettable flank, 24 terminals, 0.8 mm pitch, 6 mm x 6 mm x 1.98 mm body

NOTES:

1. ALL DIMENSIONS ARE IN MILLIMETERS.
2. DIMENSIONING AND TOLERANCING PER ASME Y14.5M-1994.
3. PIN 1 FEATURE SHAPE, SIZE AND LOCATION MAY VARY.
4. COPLANARITY APPLIES TO LEADS, DIE ATTACH FLAG AND CORNER NON-FUNCTIONAL PADS.
5. ANCHORING PADS.
6. STEP-CUT IS APPLIED FOR BURR REMOVAL ONLY.

© NXP B.V. ALL RIGHTS RESERVED

DATE: 26 JUL 2019

MECHANICAL OUTLINE PRINT VERSION NOT TO SCALE	STANDARD: NON JEDEC	DRAWING NUMBER: 98ASA01454D	REVISION: A	PAGE:
--------------------------------------------------	------------------------	--------------------------------	----------------	-------

Figure 6. Package outline note HQFN24 (SOT1921-3(D))

4 Legal information

Disclaimers

Limited warranty and liability — Information in this document is believed to be accurate and reliable. However, NXP Semiconductors does not give any representations or warranties, expressed or implied, as to the accuracy or completeness of such information and shall have no liability for the consequences of use of such information. NXP Semiconductors takes no responsibility for the content in this document if provided by an information source outside of NXP Semiconductors.

In no event shall NXP Semiconductors be liable for any indirect, incidental, punitive, special or consequential damages (including - without limitation - lost profits, lost savings, business interruption, costs related to the removal or replacement of any products or rework charges) whether or not such damages are based on tort (including negligence), warranty, breach of contract or any other legal theory.

Notwithstanding any damages that customer might incur for any reason whatsoever, NXP Semiconductors' aggregate and cumulative liability towards customer for the products described herein shall be limited in accordance with the Terms and conditions of commercial sale of NXP Semiconductors.

Right to make changes — NXP Semiconductors reserves the right to make changes to information published in this document, including without limitation specifications and product descriptions, at any time and without notice. This document supersedes and replaces all information supplied prior to the publication hereof.

HQFN24, thermal enhanced quad flat package, no leads, 0.1 dimple wettable flank, 24 terminals, 0.8 mm pitch, 6 mm x 6 mm x 1.98 mm body

Contents

1 Package summary1
2 Package outline2
3 Soldering4
4 Legal information8