

# SOT2002-2

FM8F, flange mount package, 8 terminals, 5.16 mm pitch, 9.6 mm x 20.395 mm x 4.25 mm body

15 July 2019

Package information

## 1 Package summary

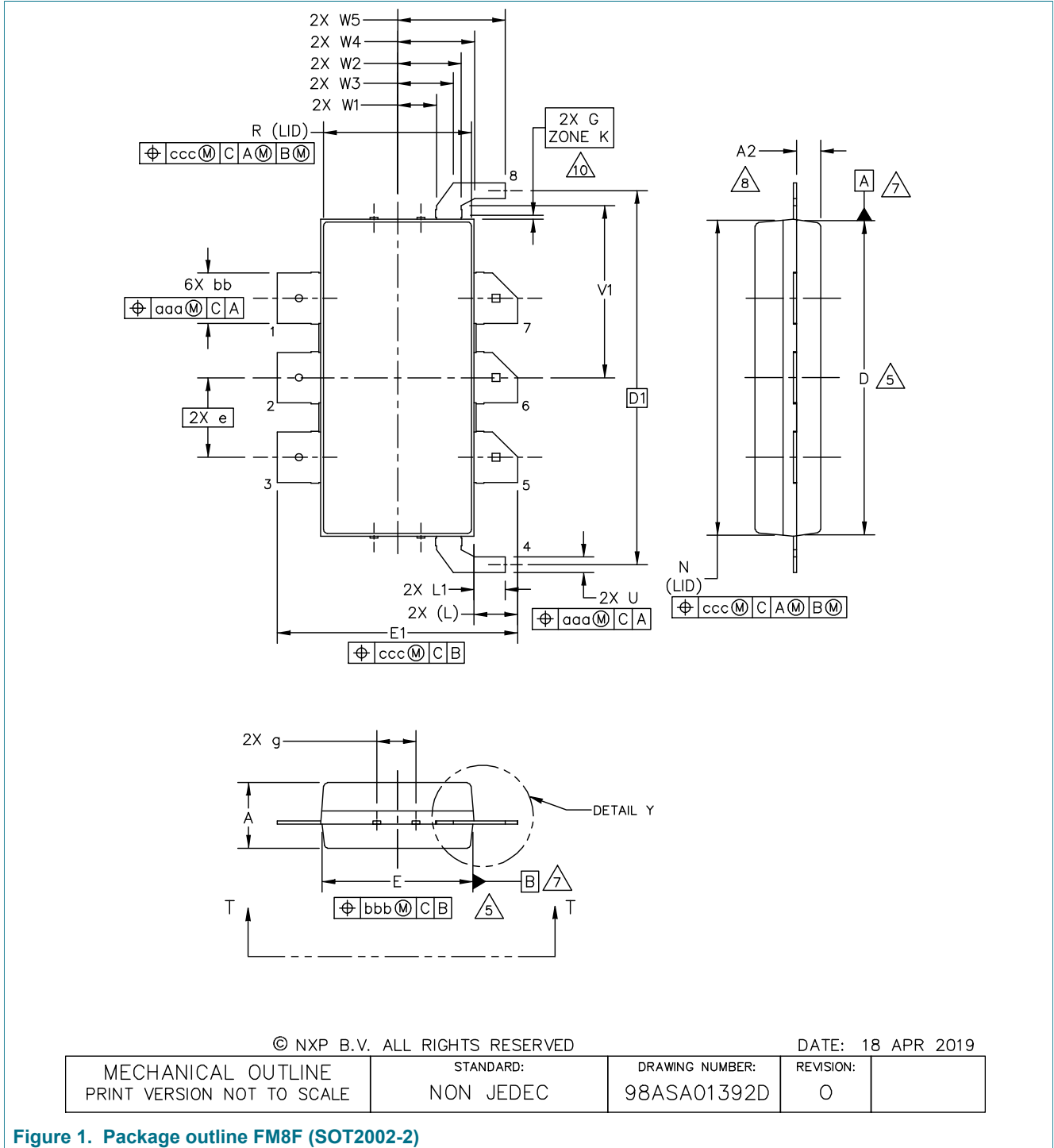
<b>Terminal position code</b>	P (perpendicular)
<b>Package type descriptive code</b>	FM8F
<b>Package style descriptive code</b>	DFM (double-ended flange mount)
<b>Package body material type</b>	P (plastic)
<b>Mounting method type</b>	F (flange mount)
<b>Issue date</b>	18-04-2019
<b>Manufacturer package code</b>	98ASA01392D

Table 1. Package summary

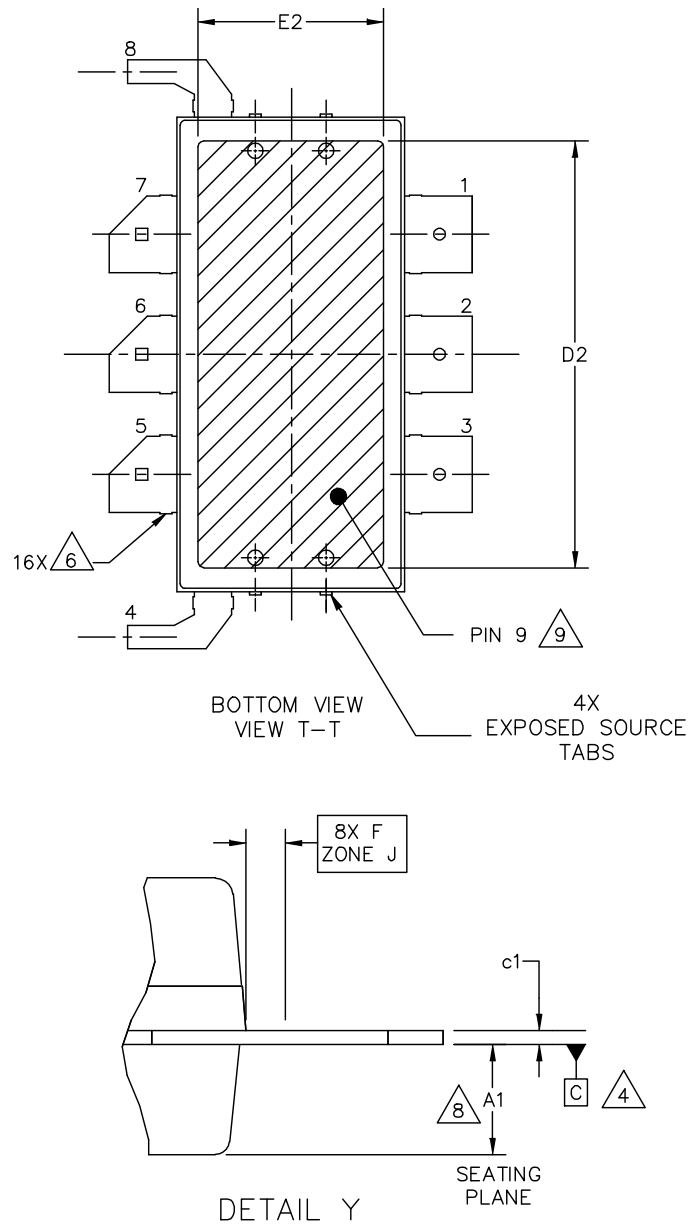
Parameter	Min	Nom	Max	Unit
package length	-	9.6	-	mm
package width	-	20.395	-	mm
package height	-	4.25	-	mm
nominal pitch	-	5.16	-	mm
actual quantity of termination	-	8	-	



2 Package outline



FM8F, flange mount package, 8 terminals, 5.16 mm pitch, 9.6 mm x 20.395 mm x 4.25 mm body



© NXP B.V. ALL RIGHTS RESERVED

DATE: 18 APR 2019

MECHANICAL OUTLINE PRINT VERSION NOT TO SCALE	STANDARD: NON JEDEC	DRAWING NUMBER: 98ASA01392D	REVISION: O
--	------------------------	--------------------------------	----------------

Figure 2. Package outline detail FM8F (SOT2002-2)

FM8F, flange mount package, 8 terminals, 5.16 mm pitch, 9.6 mm x 20.395 mm x 4.25 mm body

NOTES:

1. CONTROLLING DIMENSION: INCH
2. INTERPRET DIMENSIONS AND TOLERANCES PER ASME Y14.5M-1994.
3. UNLESS OTHERWISE SPECIFIED, ALL DIMENSIONS ARE SYMMETRICAL ABOUT CENTERLINES.
4. DATUM C IS LOCATED AT THE BOTTOM OF THE LEAD AND IS COINCIDENT WITH THE LEAD WHERE THE LEAD EXITS THE PLASTIC BODY AT THE BOTTOM OF THE PARTING LINE.
5. DIMENSIONS D AND E DO NOT INCLUDE MOLD PROTRUSIONS. ALLOWABLE PROTRUSION IS .006 INCH (0.15 MM) PER SIDE.
6. DIMENSION bb, W1, W2 DOES NOT INCLUDE DAMBAR PROTRUSION. ALLOWABLE DAMBAR PROTRUSION .005 INCH (0.13 MM).
7. DATUM A AND B TO BE DETERMINED AT DATUM PLANE C.
8. DIMENSIONS A1 AND A2 APPLY WITHIN ZONE J ONLY. A1 APPLIES TO PINS 1, 2, 3, 5, 6, AND 7. A2 APPLIES TO PINS 4 AND 8.
9. HATCHING REPRESENTS THE EXPOSED AREA OF THE HEAT SLUG. THE DIMENSIONS D2 AND E2 REPRESENT THE VALUES BETWEEN THE TWO OPPOSITE POINTS ALONG THE EDGES OF EXPOSED AREA OF HEAT SLUG.
10. ZONE K REPRESENTS NON-SOLDERABLE REGION WHERE MOLD FLASH AND RESIN BLEED ARE PERMITTED ON BOTH SIDES OF THE LEADS.

DIM	INCH		MILLIMETER		DIM	INCH		MILLIMETER	
	MIN	MAX	MIN	MAX		MIN	MAX	MIN	MAX
A	.158	.178	4.01	4.52	U	.035	.045	0.89	1.14
A1	.059	.065	1.55	1.60	V1	.430	.445	10.92	11.30
A2	.056	.068	1.42	1.73	W1	.095	.105	2.41	2.67
D	.800	.806	20.32	20.47	W2	.158	.168	4.01	4.27
D1	.956 BSC		24.28 BSC		W3	.138	.148	3.51	3.76
D2	.717	---	18.21	---	W4	.192	.202	4.88	5.13
E	.382	.388	9.70	9.86	W5	.435	.445	11.05	11.30
E1	.609	.619	15.47	15.72	bb	.124	.134	3.15	3.40
E2	.309	---	7.85	---	c1	.008	.010	0.20	0.25
F	.030 BSC		0.76 BSC		e	.203 BSC		5.16 BSC	
G	.010 BSC		0.25 BSC		g	.115	.125	2.92	3.18
(L)	.105	.125	2.67	3.18	aaa	.004		0.10	
L1	.074	.094	1.88	2.39	bbb	.006		0.15	
N	.765	.789	19.43	20.04	ccc	.010		0.25	
R	.373	.383	9.47	9.73					

© NXP B.V. ALL RIGHTS RESERVED

DATE: 18 APR 2019

MECHANICAL OUTLINE PRINT VERSION NOT TO SCALE	STANDARD: NON JEDEC	DRAWING NUMBER: 98ASA01392D	REVISION: O	
--	------------------------	--------------------------------	----------------	--

Figure 3. Package outline note FM8F (SOT2002-2)

### 3 Legal information

---

#### Disclaimers

**Limited warranty and liability** — Information in this document is believed to be accurate and reliable. However, NXP Semiconductors does not give any representations or warranties, expressed or implied, as to the accuracy or completeness of such information and shall have no liability for the consequences of use of such information. NXP Semiconductors takes no responsibility for the content in this document if provided by an information source outside of NXP Semiconductors.

In no event shall NXP Semiconductors be liable for any indirect, incidental, punitive, special or consequential damages (including - without limitation - lost profits, lost savings, business interruption, costs related to the removal or replacement of any products or rework charges) whether or not such damages are based on tort (including negligence), warranty, breach of contract or any other legal theory.

Notwithstanding any damages that customer might incur for any reason whatsoever, NXP Semiconductors' aggregate and cumulative liability towards customer for the products described herein shall be limited in accordance with the Terms and conditions of commercial sale of NXP Semiconductors.

**Right to make changes** — NXP Semiconductors reserves the right to make changes to information published in this document, including without limitation specifications and product descriptions, at any time and without notice. This document supersedes and replaces all information supplied prior to the publication hereof.

Contents

1 Package summary .....1  
2 Package outline .....2  
3 Legal information .....5