



SOT397-1

plastic, heatsink small outline package; 20 leads, 1.27 mm pitch, 15.9 mm x 11.0 mm x 3.35 mm body

21 August 2018

Package information

1 Package summary

Terminal position code	D (double)
Package type descriptive code	HSOP20
Package type industry code	HSOP20
Package style descriptive code	HSOP (heatsink small outline package)
Package body material type	P (plastic)
Mounting method type	S (surface mount)
Issue date	23-07-2003
Manufacturer package code	SOT397

Table 1. Package summary

Parameter	Min	Nom	Max	Unit
package length	15.8	15.9	16	mm
package width	10.9	11	11.1	mm
seated height	-	3.6	-	mm
package height	3.2	3.35	3.5	mm
nominal pitch	-	1.27	-	mm
actual quantity of termination	-	20	-	



plastic, heatsink small outline package; 20 leads, 1.27 mm pitch, 15.9 mm x 11.0 mm x 3.35 mm body

2 Package outline

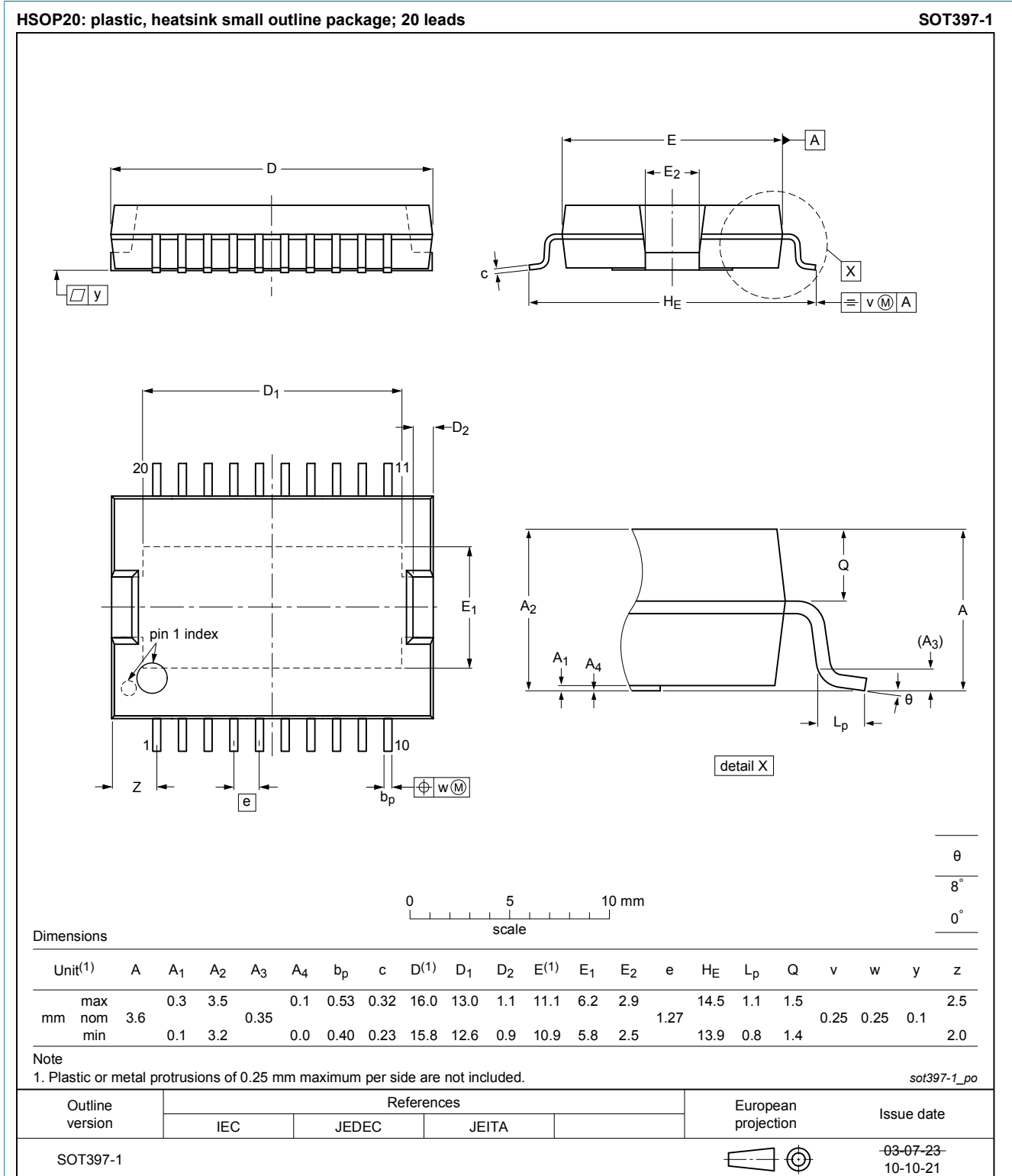


Figure 1. Package outline HSOP20 (SOT397-1)

plastic, heatsink small outline package; 20 leads, 1.27 mm pitch, 15.9 mm x 11.0 mm x 3.35 mm body

3 Legal information

Disclaimers

Limited warranty and liability — Information in this document is believed to be accurate and reliable. However, NXP Semiconductors does not give any representations or warranties, expressed or implied, as to the accuracy or completeness of such information and shall have no liability for the consequences of use of such information. NXP Semiconductors takes no responsibility for the content in this document if provided by an information source outside of NXP Semiconductors.

In no event shall NXP Semiconductors be liable for any indirect, incidental, punitive, special or consequential damages (including - without limitation - lost profits, lost savings, business interruption, costs related to the removal or replacement of any products or rework charges) whether or not such damages are based on tort (including negligence), warranty, breach of contract or any other legal theory.

Notwithstanding any damages that customer might incur for any reason whatsoever, NXP Semiconductors' aggregate and cumulative liability towards customer for the products described herein shall be limited in accordance with the Terms and conditions of commercial sale of NXP Semiconductors.

Right to make changes — NXP Semiconductors reserves the right to make changes to information published in this document, including without limitation specifications and product descriptions, at any time and without notice. This document supersedes and replaces all information supplied prior to the publication hereof.

plastic, heatsink small outline package; 20 leads, 1.27 mm pitch, 15.9 mm x 11.0 mm x 3.35 mm body

Contents

1 Package summary1
2 Package outline2
3 Legal information3