

SOD68

Ammo pack axial taped; standard product orientation 12NC ending 153

Rev. 1 — 12 October 2012

Packing information

1. Packing method

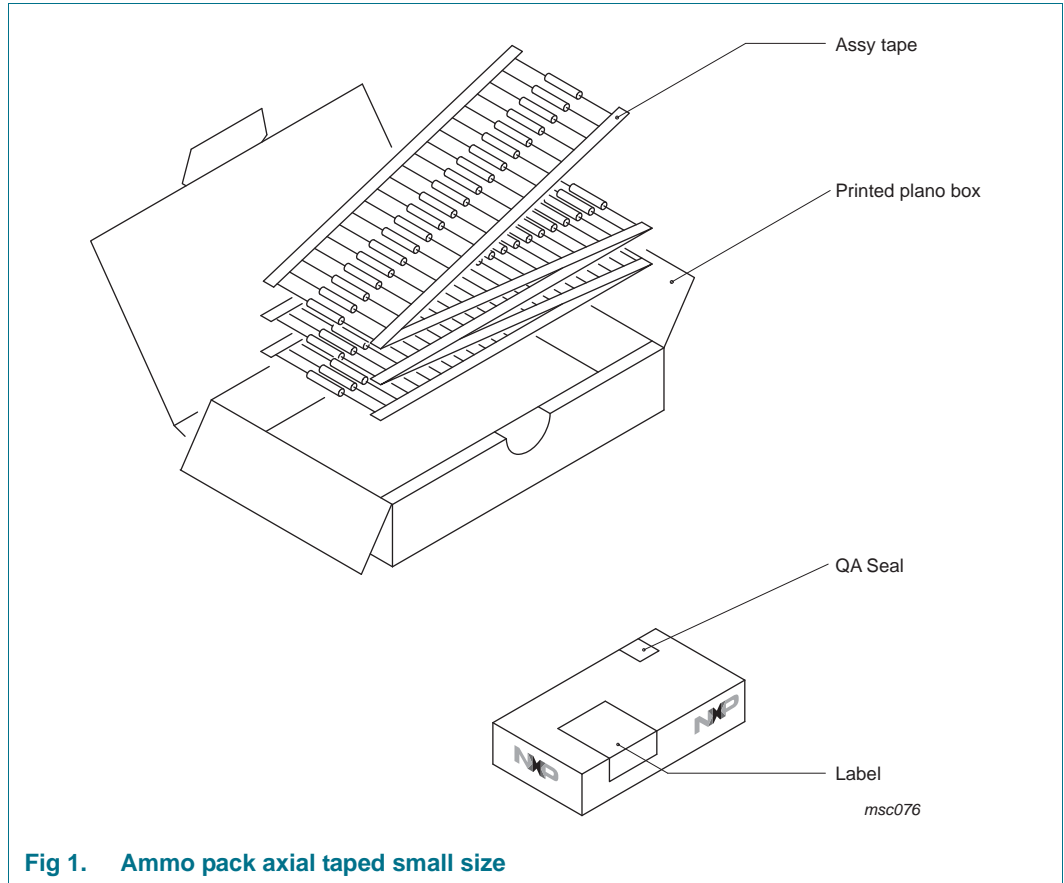


Table 1. Packing information

Package version	12NC ending	Taping width (mm)	Taping method	SPQ/PQ (pcs)	Outer box dimensions l x w x h (mm)
SOD68	153	52	axial/small	1000	138 x 73 x 29



2. Product orientation

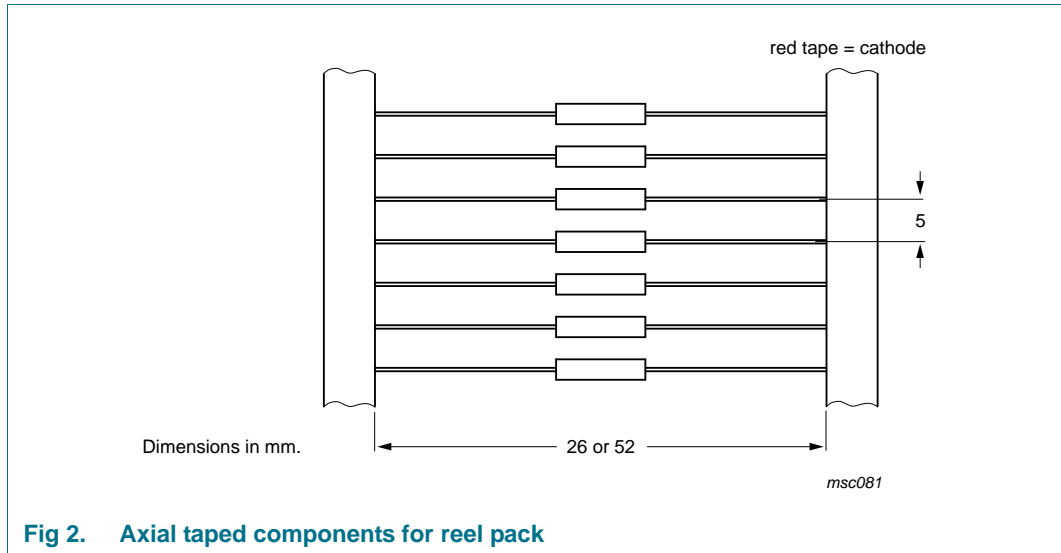


Fig 2. Axial taped components for reel pack

Limited warranty and liability

Information in this document is believed to be accurate and reliable. However, NXP Semiconductors does not give any representations or warranties, expressed or implied, as to the accuracy or completeness of such information and shall have no liability for the consequences of use of such information.

© NXP B.V. 2012.

For more information, please visit: <http://www.nxp.com>
 For sales office addresses, please send an email to: salesaddresses@nxp.com

All rights reserved.

Date of release: 12 October 2012
Document identifier: SOD68_153