



SOT1069-2

HWS0N8; Reel dry pack, SMD, 7"
 Q2/T3 Turned 90 degree product orientation
 Orderable part number ending ,547 or Z
 Ordering code (12NC) ending 547

Rev. 2 — 26 March 2014

Packing information

1. Packing method

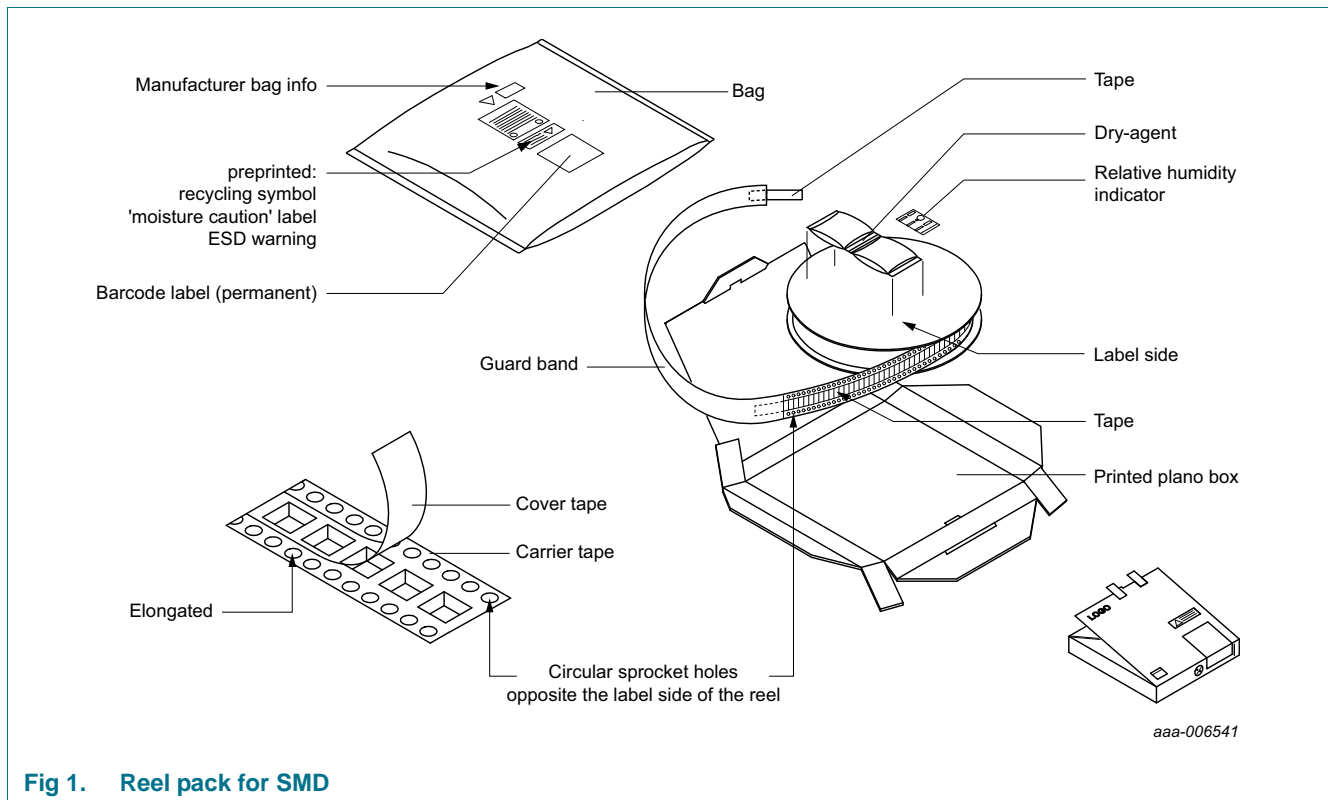


Fig 1. Reel pack for SMD

Table 1. Dimensions and quantities

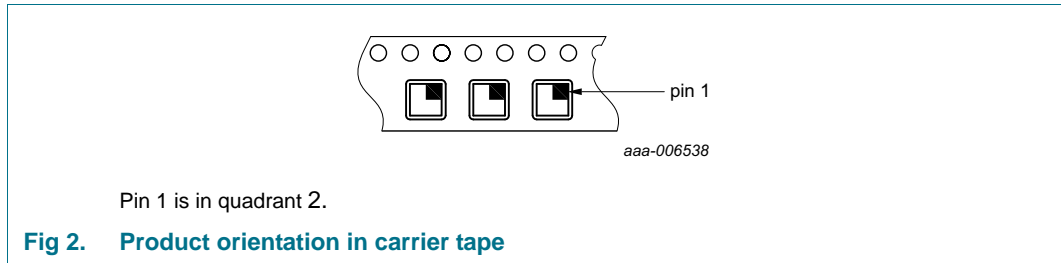
Reel dimensions d × w (mm) [1]	SPQ/PQ (pcs)	Reels per box	Outer box dimensions l × w × h (mm)
180 × 8	4000	1	209 × 209 × 32

[1] d = reel diameter; w = tape width.



HWSON8; Reel dry pack, SMD, 7"
 Q2/T3 Turned 90 degree product orientation
 Orderable part number ending ,547 or Z
 Ordering code (12NC) ending 547

2. Product orientation



3. Carrier tape dimensions

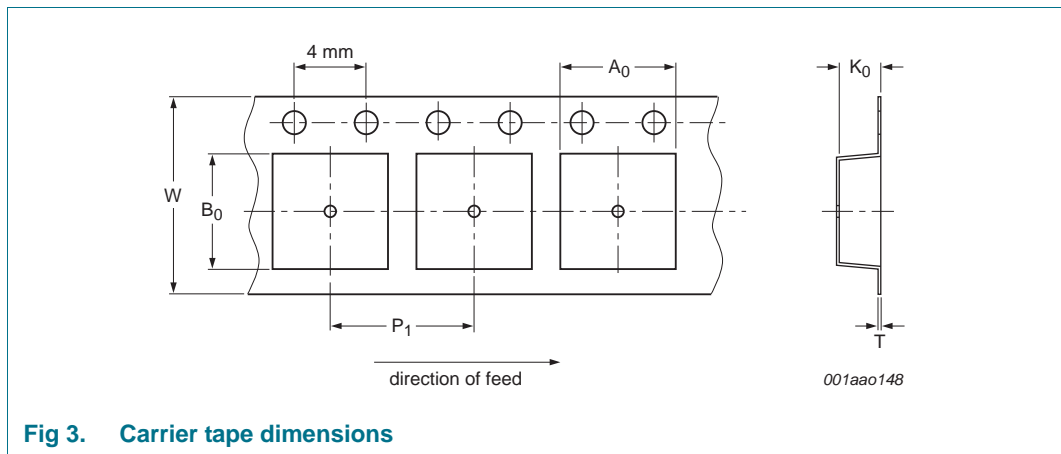


Table 2. Carrier tape dimensions

In accordance with IEC 60286-3.

A ₀ (mm)	B ₀ (mm)	K ₀ (mm)	T (mm)	P ₁ (mm)	W (mm)
2.25	3.25	1.05	-	4	8

HWSON8; Reel dry pack, SMD, 7"
 Q2/T3 Turned 90 degree product orientation
 Orderable part number ending ,547 or Z
 Ordering code (12NC) ending 547

4. Reel dimensions

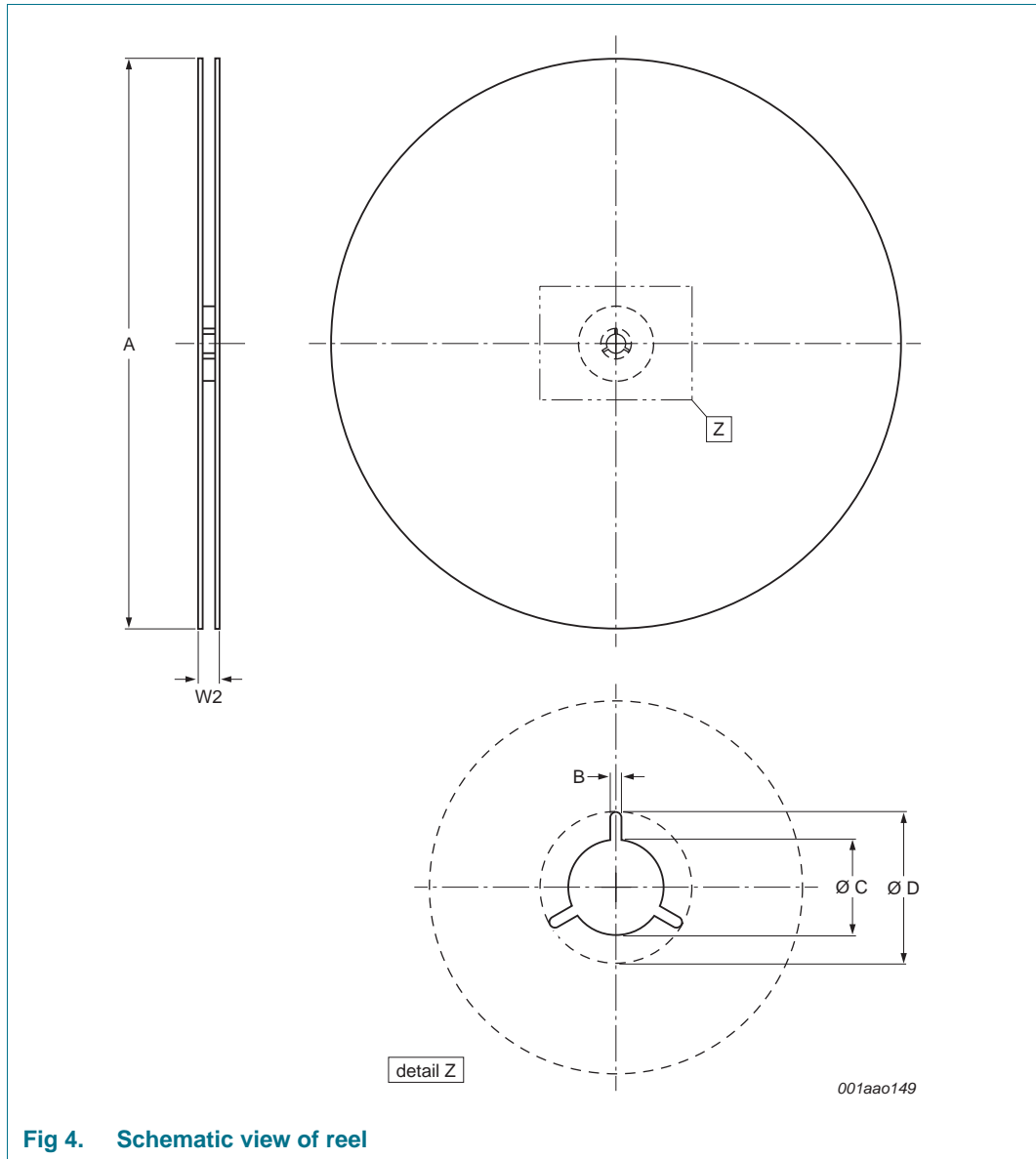


Fig 4. Schematic view of reel

Table 3. Reel dimensions
 In accordance with IEC 60286-3.

A [nom] (mm)	W2 [max] (mm)	B [min] (mm)	C [min] (mm)	D [min] (mm)
180	14.4	1.5	12.8	20.2

HWSON8; Reel dry pack, SMD, 7"
 Q2/T3 Turned 90 degree product orientation
 Orderable part number ending ,547 or Z
 Ordering code (12NC) ending 547

5. Barcode label

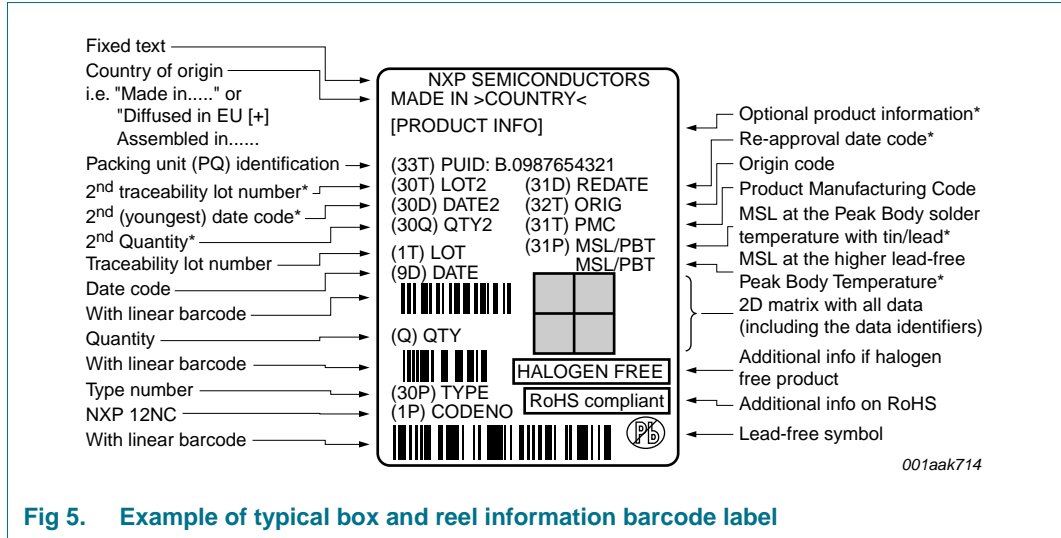


Fig 5. Example of typical box and reel information barcode label

Table 4. Barcode label dimensions

Box barcode label l × w (mm)	Reel barcode label l × w (mm)
100 × 75	100 × 75

Limited warranty and liability

Information in this document is believed to be accurate and reliable. However, NXP Semiconductors does not give any representations or warranties, expressed or implied, as to the accuracy or completeness of such information and shall have no liability for the consequences of use of such information.

© NXP Semiconductors N.V. 2014.

All rights reserved.

For more information, please visit: <http://www.nxp.com>

For sales office addresses, please send an email to: salesaddresses@nxp.com

Date of release: 26 March 2014

Document identifier: SOT1069-2_547