

SOT1113-1

HVQFN44; Reel pack; SMD, 13"; standard product orientation
 Orderable part number ending, 118 or J
 Ordering code (12NC) ending 118

Rev. 1 — 3 June 2013

Packing information

1. Packing method

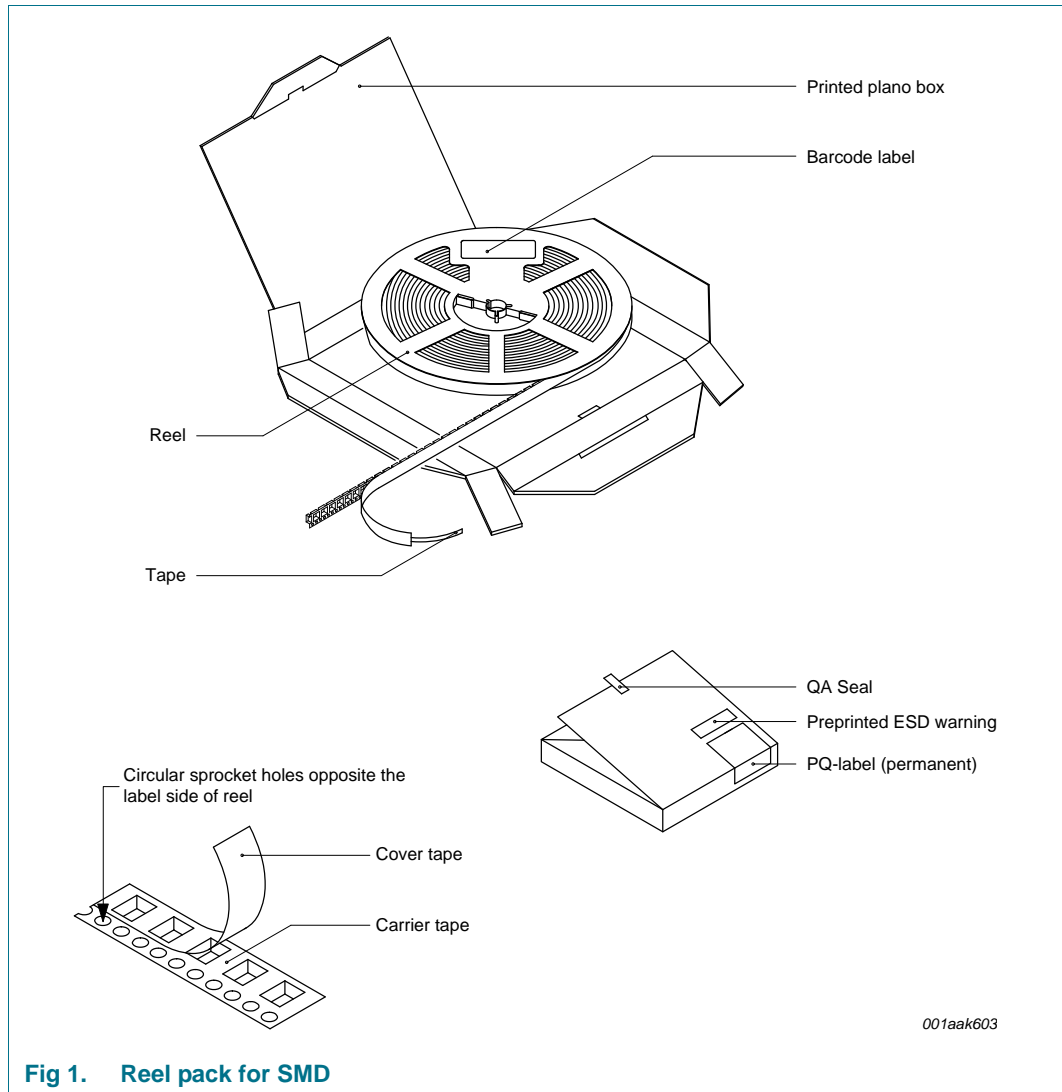


Fig 1. Reel pack for SMD

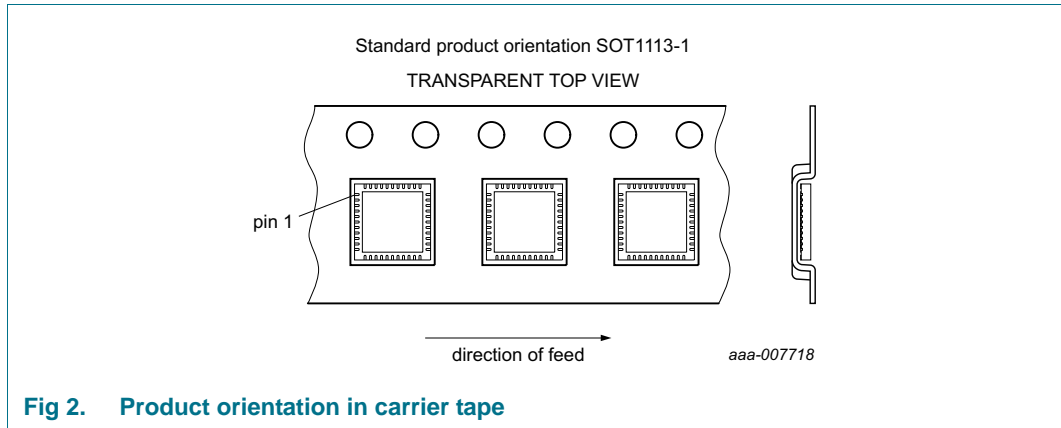
Table 1. Dimensions and quantities

Reel dimensions d × w (mm) ^[1]	SPQ/PQ (pcs)	Reels per box	Outer box dimensions l × w × h (mm)
330 × 16	1000	1	339 × 337 × 24

[1] d = reel diameter; w = tape width.

HVQFN44; Reel pack; SMD, 13"; standard product orientation;
 Orderable part number ending, 118 or J; Ordering code (12NC) ending 118

2. Product orientation



3. Carrier tape dimensions

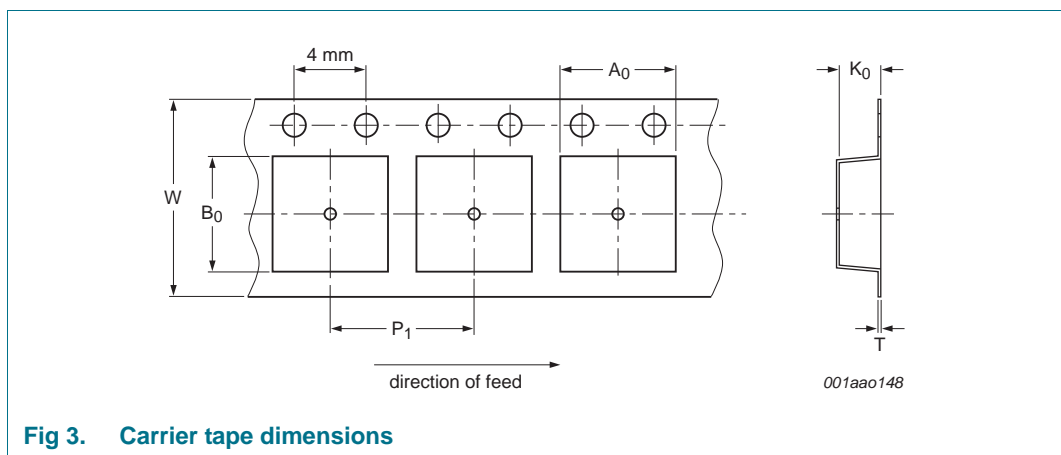


Table 2. Carrier tape dimensions

In accordance with IEC 60286-3.

A ₀ (mm)	B ₀ (mm)	K ₀ (mm)	T (mm)	P ₁ (mm)	W (mm)
9.40 ± 0.10	9.40 ± 0.10	1.5 ± 0.10	0.30 ± 0.05	12 ± 0.10	16 ± 0.30

HVQFN44; Reel pack; SMD, 13"; standard product orientation;
 Orderable part number ending, 118 or J; Ordering code (12NC) ending 118

4. Reel dimensions

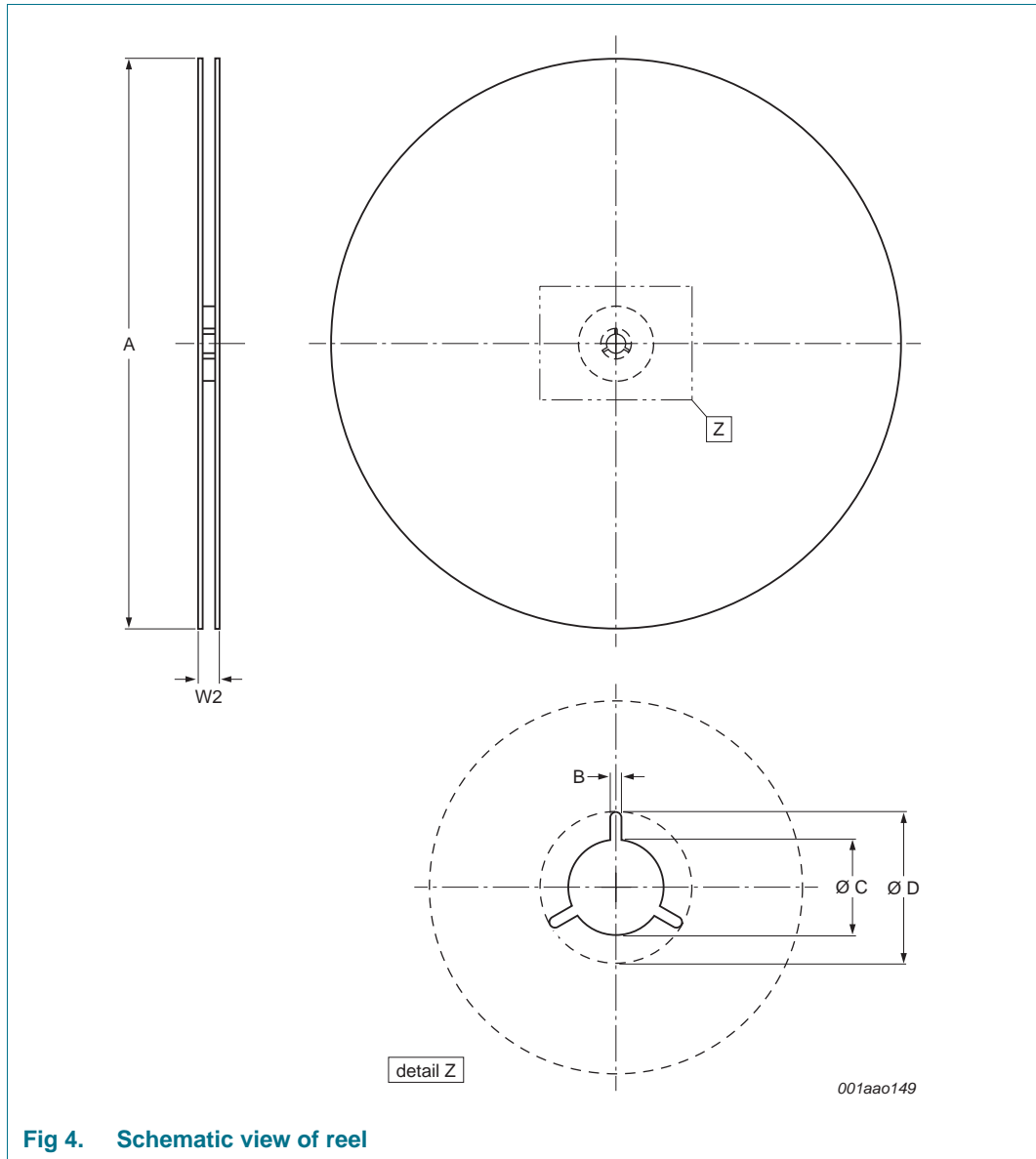


Fig 4. Schematic view of reel

Table 3. Reel dimensions
 In accordance with IEC 60286-3.

A [nom] (mm)	W2 [max] (mm)	B [min] (mm)	C [min] (mm)	D [min] (mm)
330	18.4	1.5	12.8	20.2

HVQFN44; Reel pack; SMD, 13"; standard product orientation;
Orderable part number ending, 118 or J; Ordering code (12NC) ending 118

5. Barcode label

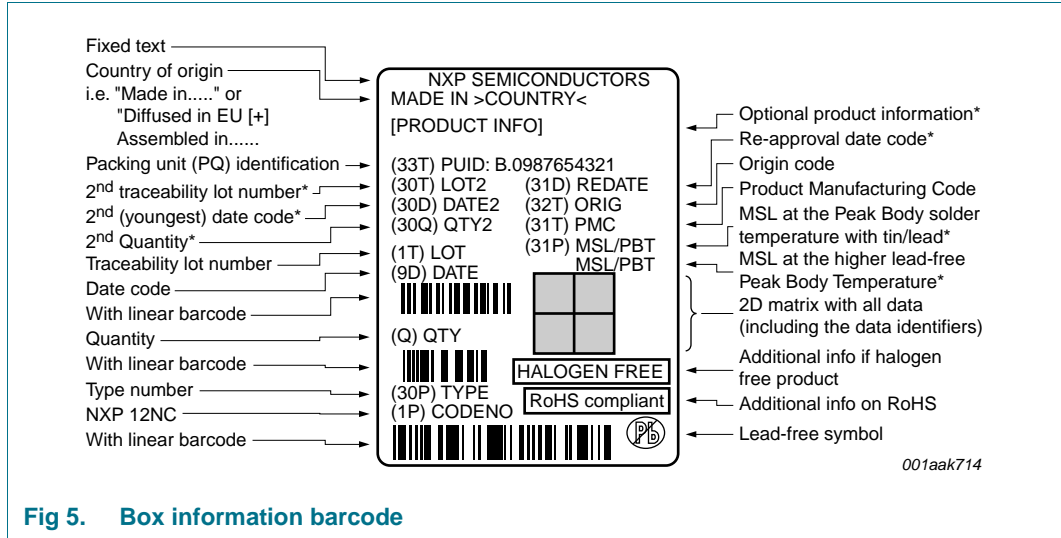


Fig 5. Box information barcode

Table 4. Barcode dimensions

Box barcode label l × w (mm)	Reel barcode label l × w (mm)
100 × 75	100 × 75

Limited warranty and liability

Information in this document is believed to be accurate and reliable. However, NXP Semiconductors does not give any representations or warranties, expressed or implied, as to the accuracy or completeness of such information and shall have no liability for the consequences of use of such information.

© NXP B.V. 2013.

For more information, please visit: <http://www.nxp.com>
For sales office addresses, please send an email to: salesaddresses@nxp.com

All rights reserved.

Date of release: 3 June 2013
Document identifier: SOT1113-1_118