

SOT1310-1

XQFN24; Reel pack, SMD, 7"; Q1/T1 standard product orientation; Orderable part number ending ,115 or X; Ordering code (12NC) ending 115

Rev. 1 — 21 June 2017

Packing information

1 Packing method

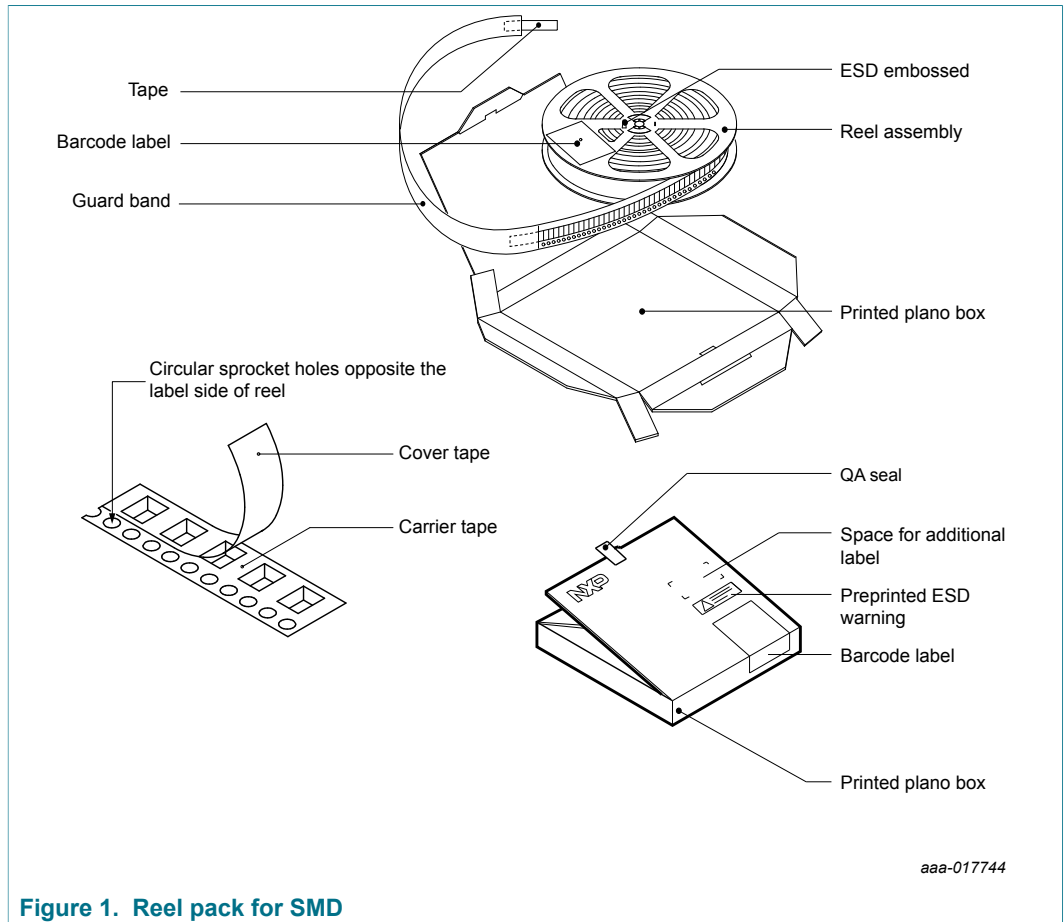


Figure 1. Reel pack for SMD

XQFN24; Reel pack, SMD, 7"; Q1/T1 standard product orientation; Orderable part number ending ,115 or X; Ordering code (12NC) ending 115

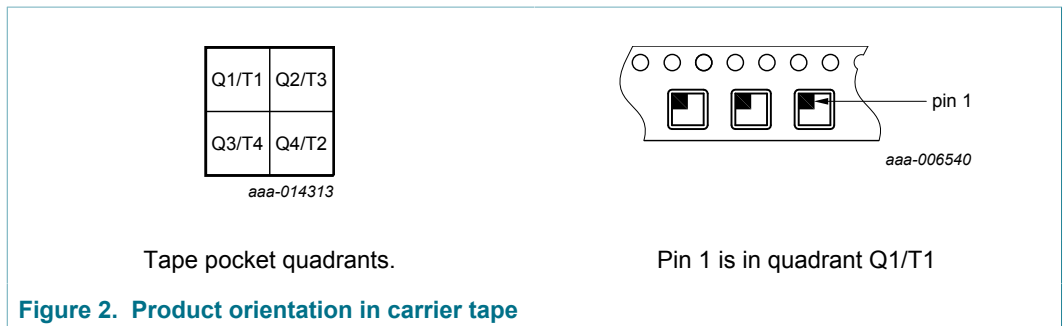
Table 1. Dimensions and quantities

Reel dimensions d × w (mm) ^[1]	SPQ/PQ (pcs) ^[2]	Reels per box	Outer box dimensions l × w × h (mm)
180 × 8	5000	1	187 × 187 × 18

[1] d = reel diameter; w = tape width.

[2] Packing quantity dependent on specific product type. View ordering and availability details at [NXP order portal](#), or contact your local NXP representative.

2 Product orientation



3 Carrier tape dimensions

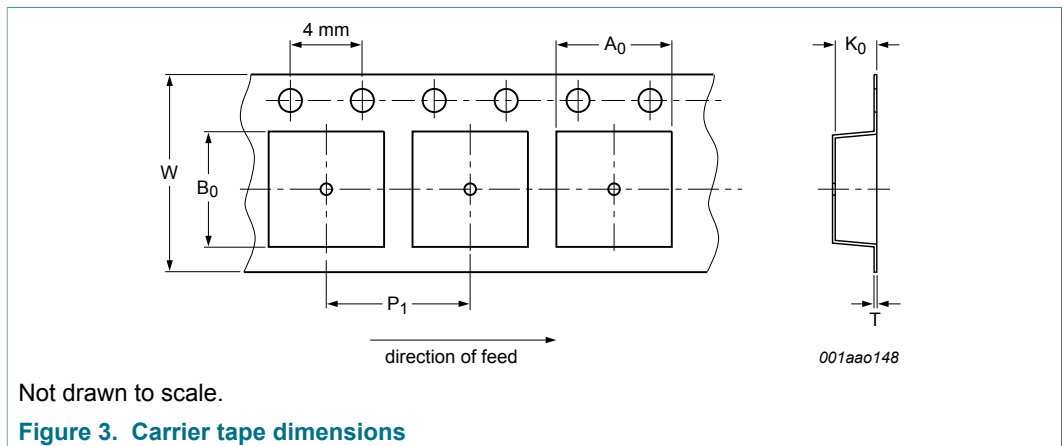


Table 2. Carrier tape dimensions

In accordance with IEC 60286-3.

A ₀ (mm)	B ₀ (mm)	K ₀ (mm)	T (mm)	P ₁ (mm)	W (mm)
2.80 ± 0.01	3.62 ± 0.05	0.65 ± 0.1	0.25 ± 0.03	4.0 ± 0.1	8 ± 0.1

4 Reel dimensions

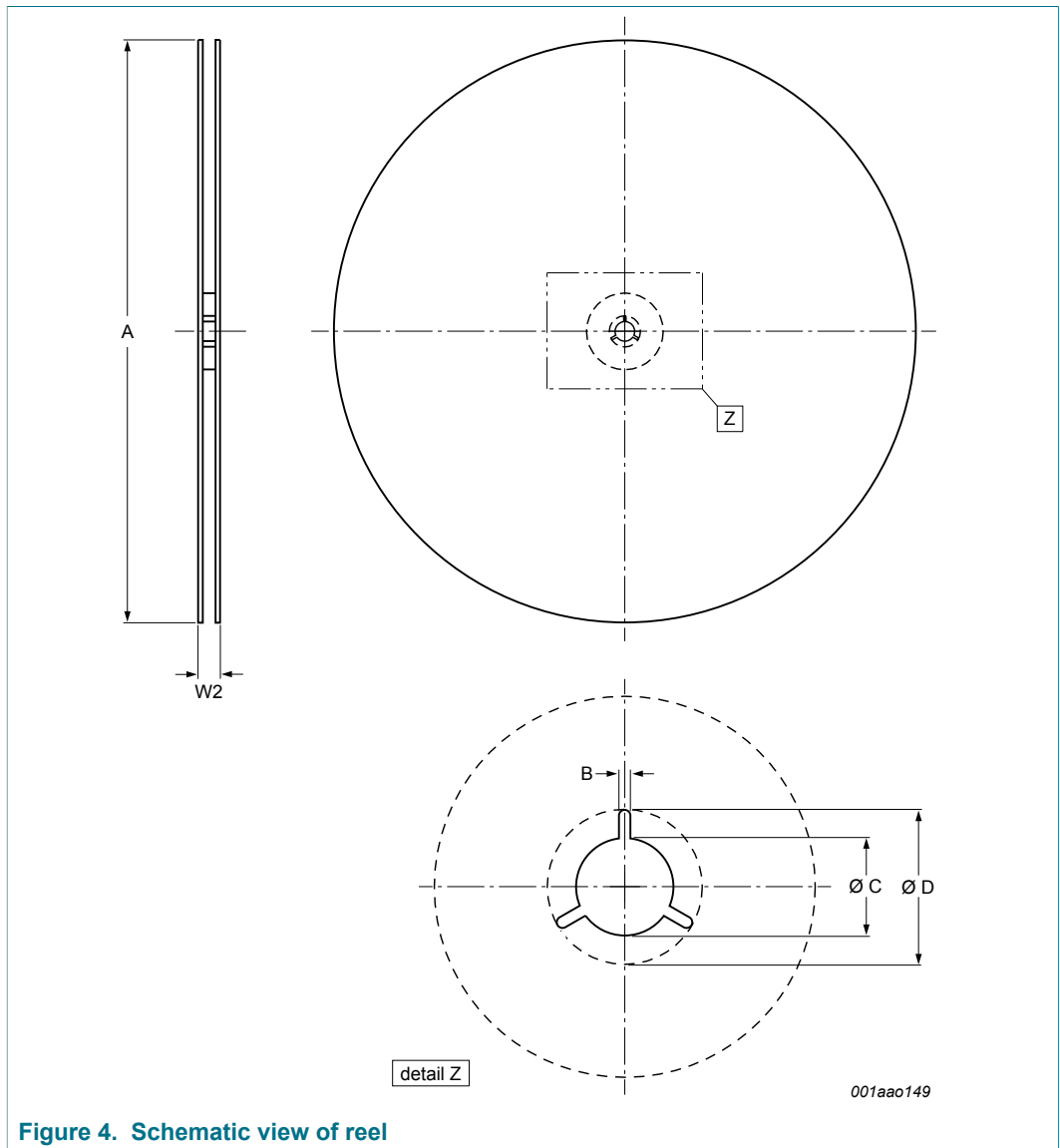


Figure 4. Schematic view of reel

Table 3. Reel dimensions
In accordance with IEC 60286-3.

A [nom] (mm)	W2 [max] (mm)	B [min] (mm)	C [min] (mm)	D [min] (mm)
180	14.4	1.5	12.8	20.2

XQFN24; Reel pack, SMD, 7"; Q1/T1 standard product orientation; Orderable part number ending ,115 or X; Ordering code (12NC) ending 115

5 Barcode label

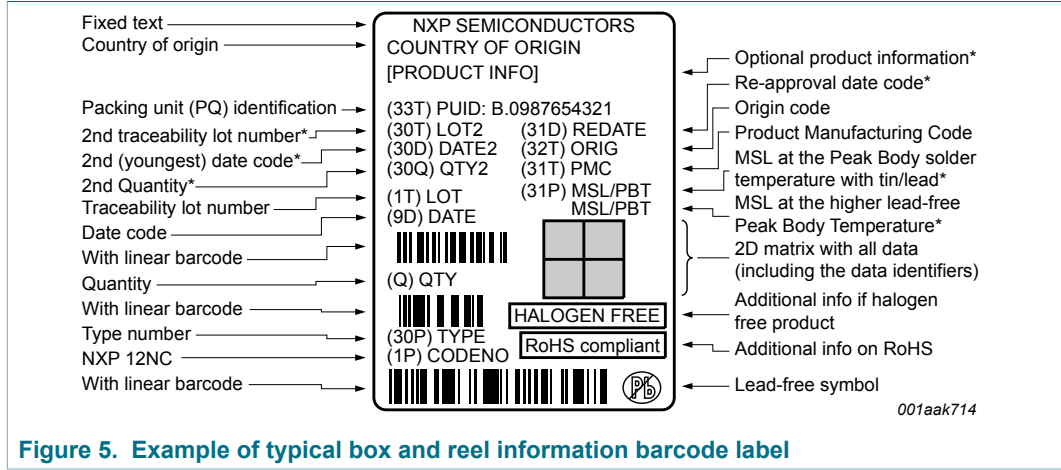


Figure 5. Example of typical box and reel information barcode label

Table 4. Barcode label dimensions

Box barcode label l × w (mm)	Reel barcode label l × w (mm)
100 × 75	100 × 75

XQFN24; Reel pack, SMD, 7"; Q1/T1 standard product orientation; Orderable part number ending ,115 or X; Ordering code (12NC) ending 115

6 Revision history

Table 5. Revision history

Document ID	Release date	Packing document status	Change notice	Supersedes
SOT1310-1_115 v.1	20170728	Packing information	-	-

Contents

1	Packing method	1
2	Product orientation	2
3	Carrier tape dimensions	2
4	Reel dimensions	3
5	Barcode label	4
6	Revision history	5

Please be aware that important notices concerning this document and the product(s) described herein, have been included in section 'Legal information'.

© NXP B.V. 2017.

All rights reserved.

For more information, please visit: <http://www.nxp.com>

For sales office addresses, please send an email to: salesaddresses@nxp.com

Date of release: 21 June 2017