



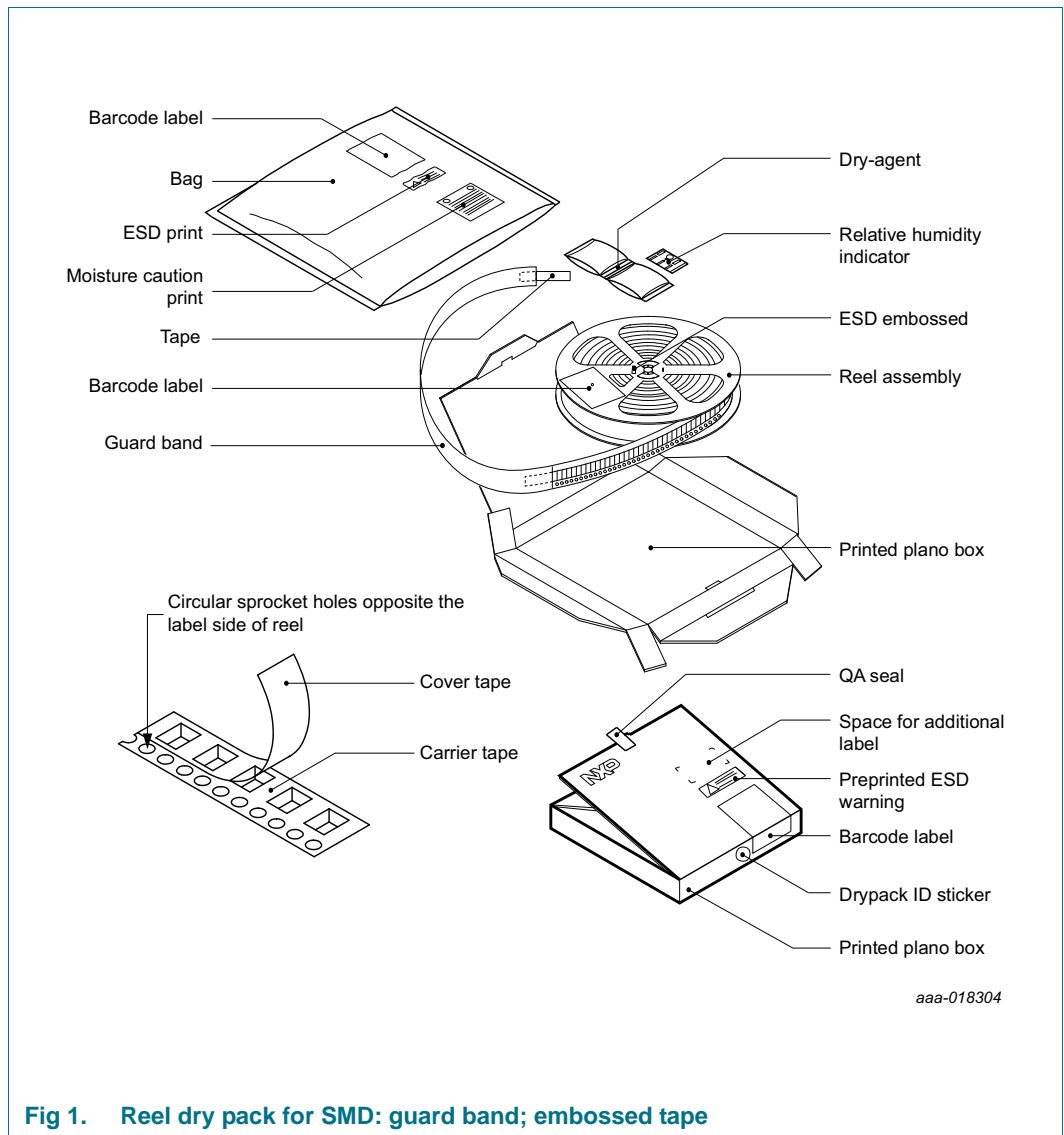
SOT616-3

HVQFN24; Reel dry pack, SMD, 7"
 Q1/T1 standard product orientation
 Orderable part number ending ,515 or Z
 Ordering code (12NC) ending 515

Rev. 1 — 1 August 2016

Packing information

1. Packing method



aaa-018304



HVQFN24; Reel dry pack, SMD, 7"
 Q1/T1 standard product orientation
 Orderable part number ending ,515 or Z
 Ordering code (12NC) ending 515

Table 1. Dimensions and quantities

Reel dimensions d × w (mm) [1]	SPQ/PQ (pcs) [2]	Reels per box	Outer box dimensions l × w × h (mm)
180 × 12	1500	1	209 × 206 × 37

[1] d = reel diameter; w = tape width.

[2] Packing quantity dependent on specific product type.

View ordering and availability details at [NXP order portal](#), or contact your local NXP representative.

2. Product orientation

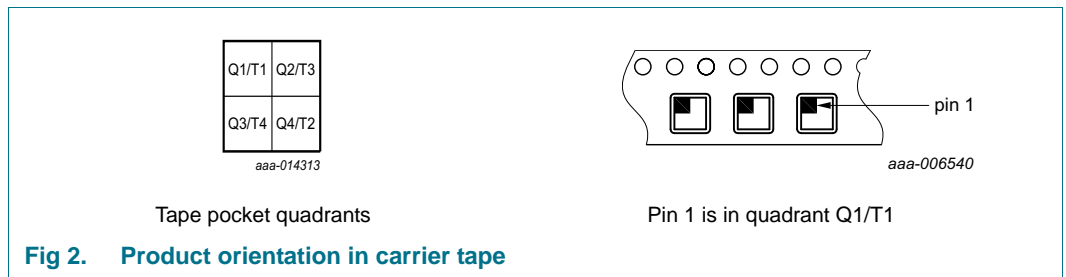


Fig 2. Product orientation in carrier tape

3. Carrier tape dimensions

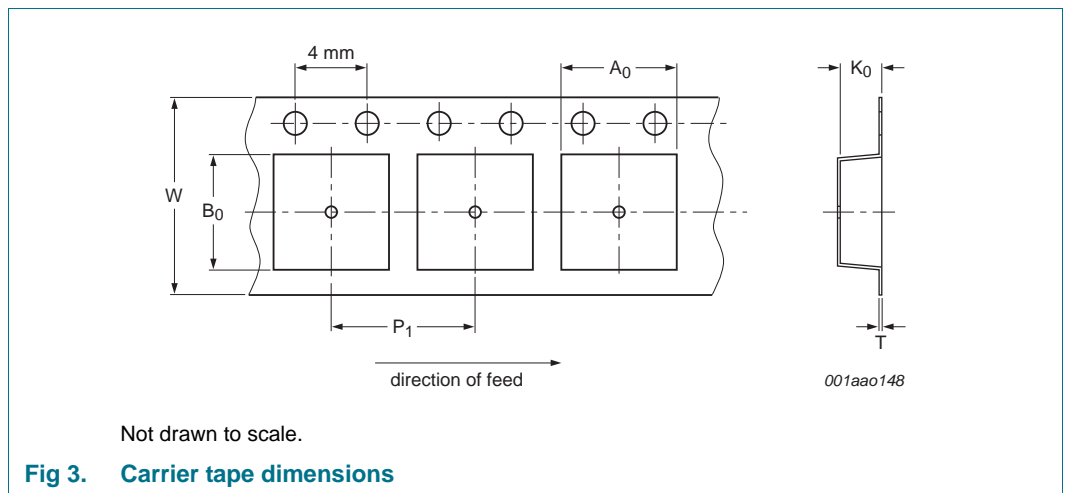


Fig 3. Carrier tape dimensions

Table 2. Carrier tape dimensions

In accordance with IEC 60286-3.

A ₀ (mm)	B ₀ (mm)	K ₀ (mm)	T (mm)	P ₁ (mm)	W (mm)
4.30 ± 0.1	4.30 ± 0.1	1.10 ± 0.1	0.30 ± 0.05	8.0 ± 0.1	12.0 ± 0.3

HVQFN24; Reel dry pack, SMD, 7"
 Q1/T1 standard product orientation
 Orderable part number ending ,515 or Z
 Ordering code (12NC) ending 515

4. Reel dimensions

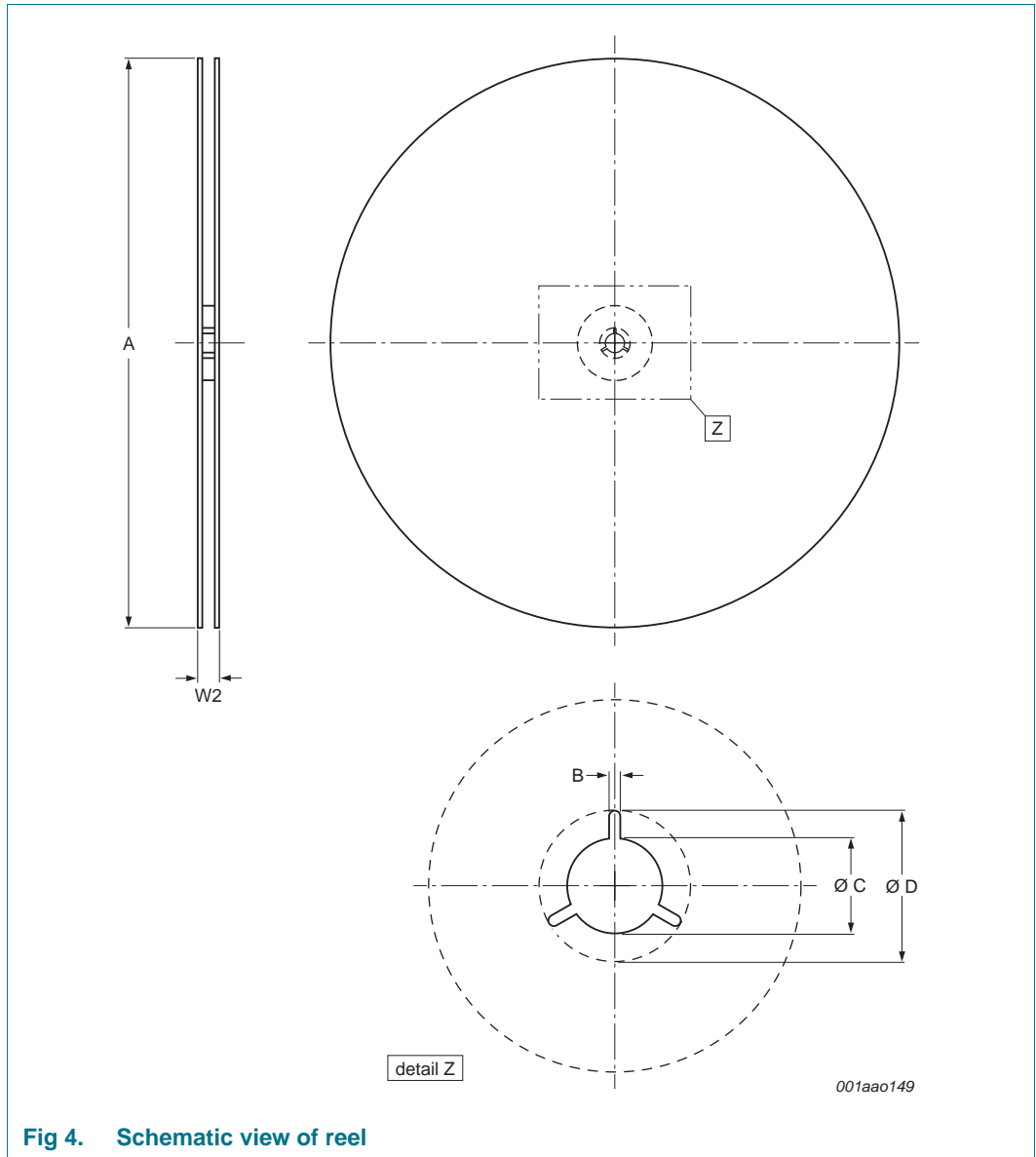


Fig 4. Schematic view of reel

Table 3. Reel dimensions
 In accordance with IEC 60286-3.

A [nom] (mm)	W2 [max] (mm)	B [min] (mm)	C [min] (mm)	D [min] (mm)
180	18.4	1.5	12.8	20.2

HVQFN24; Reel dry pack, SMD, 7"
 Q1/T1 standard product orientation
 Orderable part number ending ,515 or Z
 Ordering code (12NC) ending 515

5. Barcode label

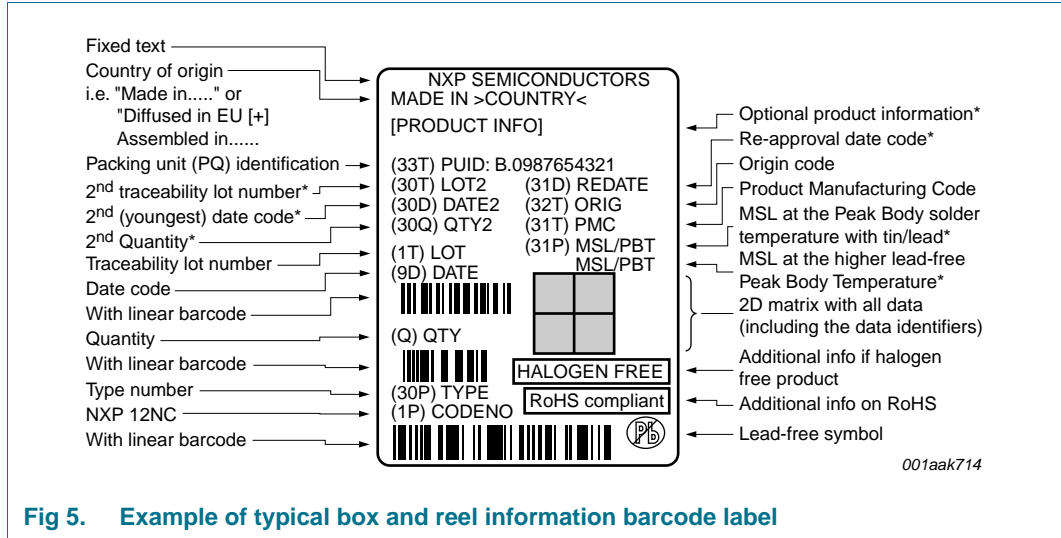


Fig 5. Example of typical box and reel information barcode label

Table 4. Barcode label dimensions

Box barcode label l × w (mm)	Reel barcode label l × w (mm)
100 × 75	100 × 75

HVQFN24; Reel dry pack, SMD, 7"
Q1/T1 standard product orientation
Orderable part number ending ,515 or Z
Ordering code (12NC) ending 515

6. Revision history

Table 5. Revision history

Document ID	Release date	Packing document status	Change notice	Supersedes
SOT616-3_515 v.1.1 ^[1]	20160801	Packing information	-	

[1] This is a released product already running for production. This document reflects the actual released orientation.

Limited warranty and liability

Information in this document is believed to be accurate and reliable. However, NXP Semiconductors does not give any representations or warranties, expressed or implied, as to the accuracy or completeness of such information and shall have no liability for the consequences of use of such information.

© NXP Semiconductors N.V. 2016.

For more information, please visit: <http://www.nxp.com>
For sales office addresses, please send an email to: salesaddresses@nxp.com

All rights reserved.

Date of release: 1 August 2016
Document identifier: SOT616-3_515