

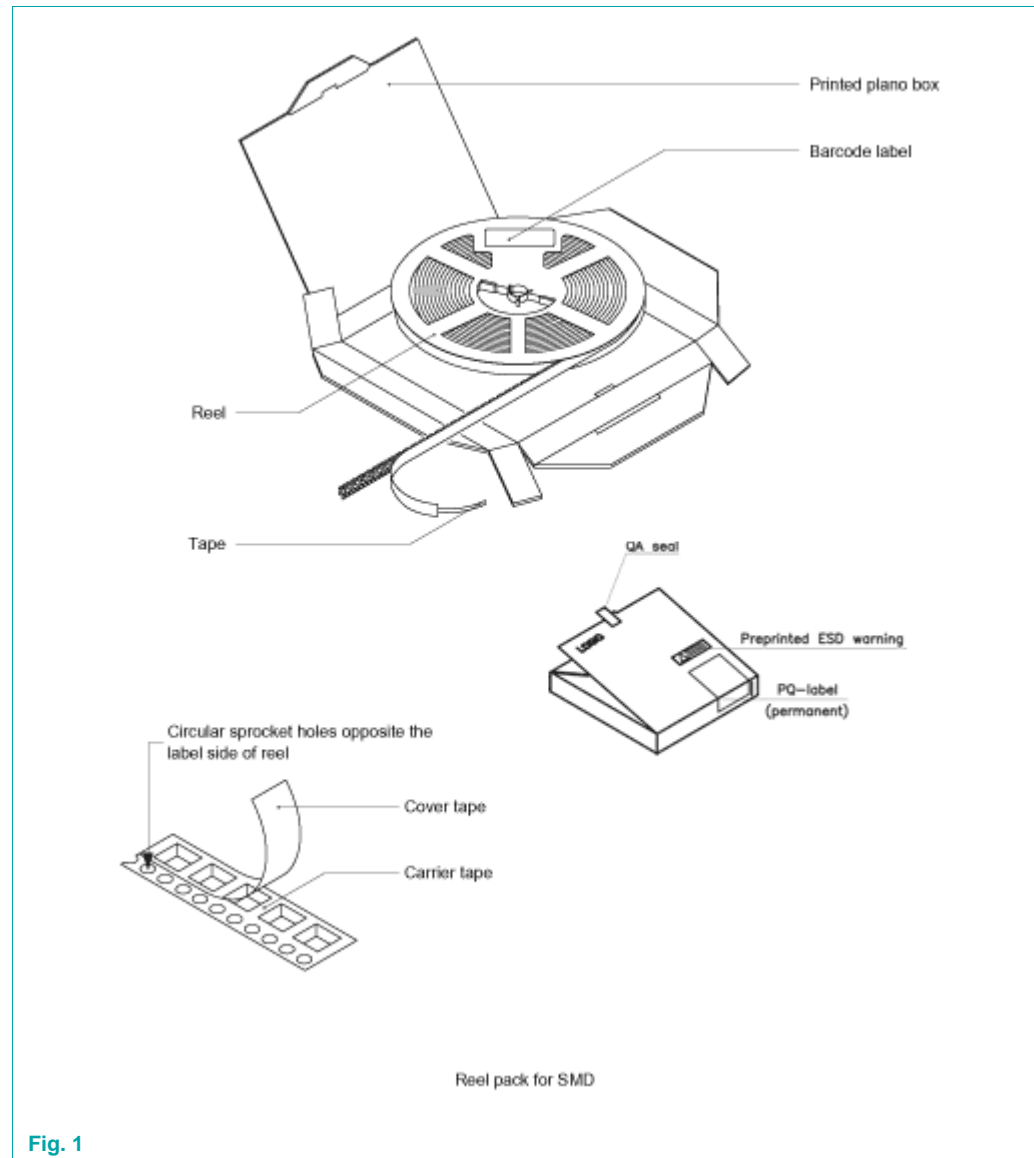
SOT650-1

Standard product orientation 12NC ending 115

Rev. 02 — 27 July 2011

Packing information

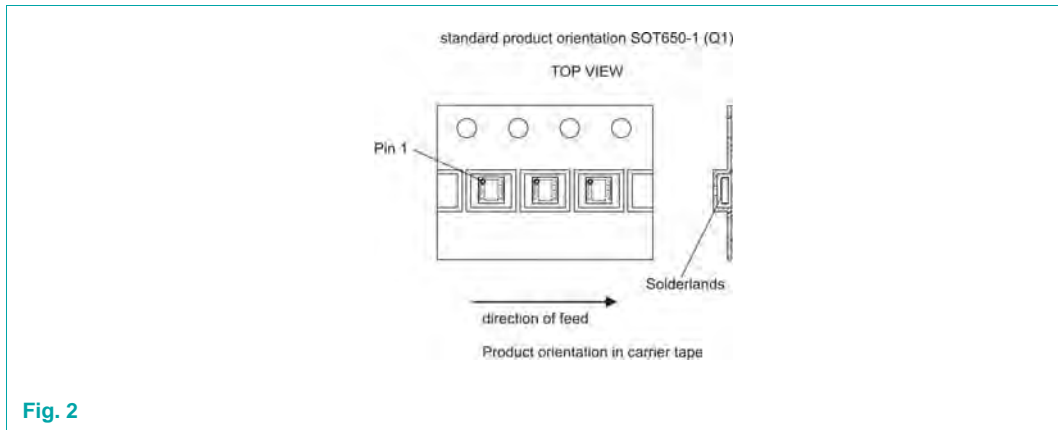
1. Packing method



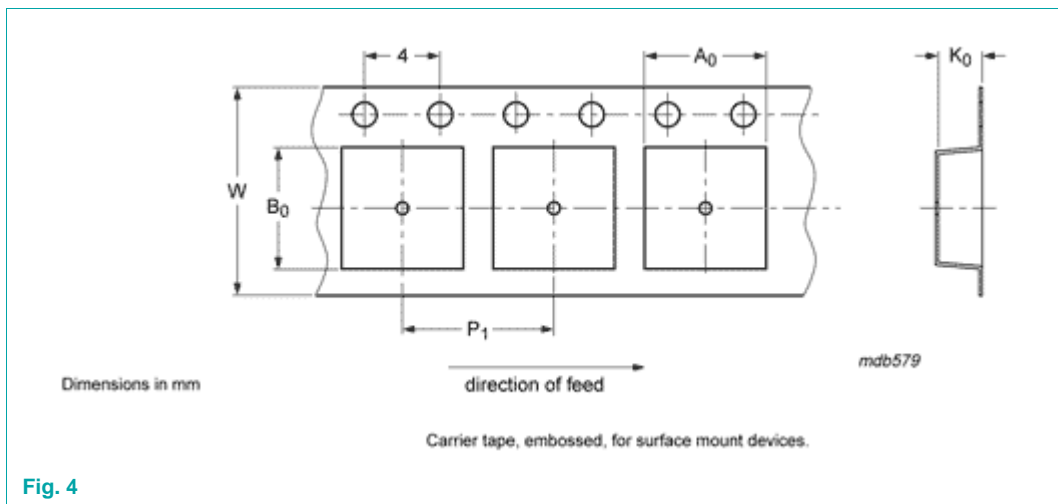
Package version	12NC ending	Reel dimensions d x w (mm)	SPQ/PQ (pcs)	Reels per box	Outer box dimensions l x w x h (mm)
SOT650-1	115	180 x 12	1400	1	189 x 185 x 21



2. Product orientation



3. Carrier tape dimensions



12NC ending	A ₀ (mm)	B ₀ (mm)	K ₀ (mm)	T (mm)	P ₁ (mm)	W (mm)
115	3.30	3.30	1.10	-	8.0	12

4. Carrier tape dimensions

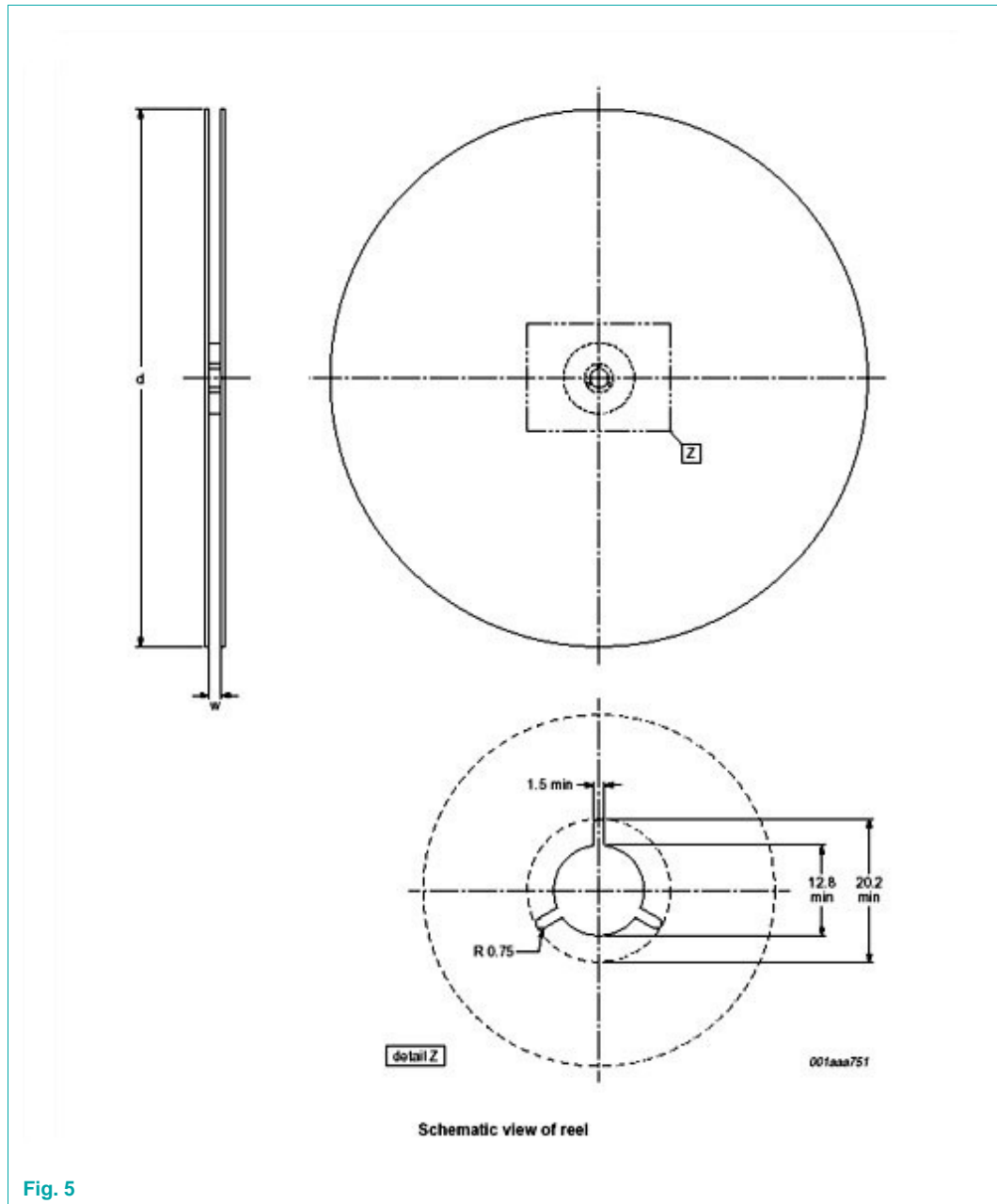


Fig. 5

Package version	12NC ending	Reel dimensions d x w (mm)	SPQ/PQ (pcs)
SOT650-1	115	180 x 12	1400

5. Barcode label tape and box information

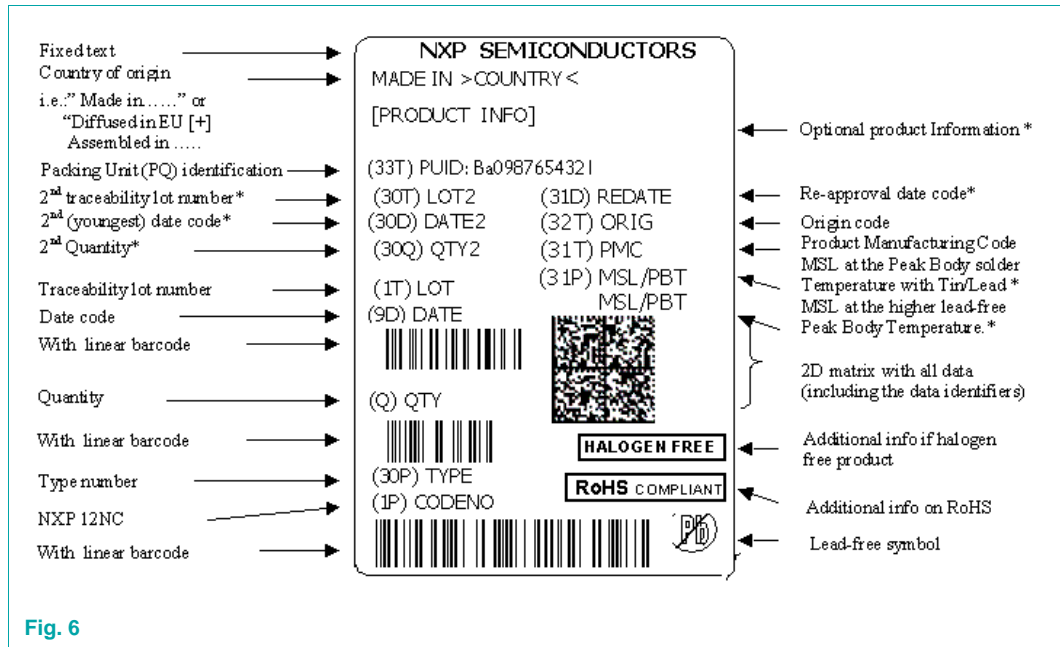


Fig. 6

Label dimensions

l x w (mm)

100 x 75